



RICHTER SPIELGERÄTE



Photo rights

Lucia Bartl
Monica Bedmar
Concetto Studios
Anton Donikov
Claudia Dreysse
Barbara Evripidou
Tristan Filippone
Richard Geistanger
Ross Gilmore
Jenny Halse
David Hannah
David Hedges
Peter Hohenhauer
Ariane Hölscher
imagIN visual promotions
Lesław Kaźziela
Roman Kolechenkov
Landplan
LUC London
Valentin Luthiger
Luc Maas
Stefanie Mehringer
Ayumi Nakanishi
Mary Noble Ours
Daniel Perales
Sahulophone Records
Angel Rodriguez Ballesteros
Ilya Teplov
Paul Upward
Iliya Varlamov
Phil Wilkinson
All other photos Richter Spielgeräte GmbH

Licensor and idea provider

for the equipment shown in this catalog

Günter Beltzig
Lissy Boesen
Falk Dorband / Karl-Heinz Thiele
Ana Mir + Emil Padros - emiliana design studio
Jochen Faßbender
Jörg Otto Gaier
Sebastian Kisling
Wolfram Graubner
Peter Hannes
Peter Heuken
Mattheüs Heybour
Peter Hohenauer
Christian Huba
Markus Kachel
Peter Keilbach / keilbach design
Sieglinde Kessler
Hans-Joachim Krause
Hugo Kükelhaus
Michael Lehner
Gudrun Olessak
Birgit Poth-Lengefeld
Martin Rohrbach
Conrad Roland
Fredi Schelb
Engelbert Schmidmaier
Günter Thüre
Kristof Van Gestel
Alfons E. van Leggelo
Felix J. Wagner
Josef Weber
Hauke Weiss

Impressum

Publisher

Richter Spielgeräte GmbH
Simsseestr. 29
83112 Frasdorf

Text

Karin Klade
Christian Schmeh
Dr. Chloé Zirnstein (V.i.S.d.P.)

Graphics/Layout

Angelika Glatzle
Magdalena Siferlinger
Sandra Staudt

Print

Ortmann Team GmbH
Gewerbestr. 9
83404 Ainring

In cooperation with

Gmund Papier
Mangfallstraße 5
83703 Gmund am Tegernsee

Welcome to Richter Spielgeräte GmbH

For over 50 years, we have concentrated our expertise on the production of handcrafted and high-quality playground equipment, and the planning and design of attractive play areas suitable for children. We use our skills and extensive knowledge of the material wood to create unique playground equipment in our family-run, craft-oriented company. We avoid using industrial production processes as far as possible. The guiding principle behind the development of our equipment is play value, followed by safety, stability, ease of maintenance and environmental orientation.

The child at play is our role model

For children, play is a form of expression that corresponds to their respective phase of life. A child's play instinct strengthens motor skills as well as mental abilities. Before they can fully understand something, they must be able to grasp their environment. Only by making full use of all their senses can a child begin to recognise connections. This makes playful exploration and discovery essential to healthy development.

We hope that our contribution to playground design will improve children's living conditions. A playground with high play value can be recognised by its signs of wear and tear. The trampled lawn, scuffed ladder rungs, stair treads and play surfaces, worn-smooth handles or handrails tell the story of eager children's hands and feet and say: Play is fun here!

Slow and steady – our snail

Hilde Richter's first design for a play figure called "Dorothea Snail" was created in 1964. This was later the inspiration for the Hilde Richter Spielgeräte company logo, drawn by Dorothea Richter. The Richter snail has been protected by copyright since 1981 and has a high recognition value. The snail not only stands for the play figure of the same name, but also symbolises the philosophy of our company with its slower pace, its down-to-earth approach and friendliness.

Social responsibility

We consider the provision of play spaces to be a social necessity. Children in particular need play to develop their personality, but play also provides young people and adults with stimulation and relaxation.

When we develop play equipment, our top priority is its play value. Our aim is for our play equipment to be very appealing and have a highly stimulating character, so that an intrinsic need to play arises. In addition, we want our play equipment to promote children's abilities and support the development of social and motor skills. But first and foremost, children should be able to immerse themselves in play and have fun with our equipment.

Sustainability and future viability

Sustainability has always been an integral part of our company philosophy. As a company based on the idea of using materials from nature, we can look back on decades of experience with natural materials and the responsible use of resources. This tradition defines our corporate culture – and it inspires our products, our designers, our employees and our partners around the world.

Our wood suppliers are PEFC certified and, since 2015, so is our production. The certificate confirms that processed, manufactured, and traded softwoods and logs come from sustainably managed forests.

According to the official classification, larch, our main material, is a moderately rot-resistant wood, significantly more durable than spruce and fir, for example, but less durable than oak or Robinia in particular.

But it is not only in the area of wood that we focus on sustainability; our human resources management also treats our employees with care. We see ourselves as a family. We try to offer our employees a good atmosphere through a high degree of self-determination and a positive working environment. This mutual appreciation and human interaction are a great incentive for our employees to stay with the company in the long term. Especially in our company, which employs many farmers from the region who run their own businesses at home, it is important to grant a high degree of self-determination. In this way, we and our customers benefit from the high quality of the products, which is a result of everyone's personal identification with their work.

We scientifically evaluate and question our work in order to constantly improve. We have largely dispensed with the use of impregnating agents since 2021 and are currently working on a significant reduction of concrete in the earthwork, especially in the foundations of our swings and climbing structures.

Frasdorf, September 2022
Richter Spielgeräte GmbH

Quality Criteria

For additional explanations of the quality criteria please refer to our price list.



Peeled white

Palisades peeled white means that bark, cambium and sapwood are removed, the natural shape of the trunk is preserved and can be experienced



Bevel cut

Vertical stand posts with bevelled end grain section as constructive wood preservation measure



Perforated

The earth / air zone of the wood is perforated by numerous small bore holes to ensure that the impregnating agent penetrates this particularly endangered zone



Core-free

Sawn-timbers core-free, thus decreasing occurrences of cracking and undesired changes in shape



Claddings

Claddings made of mountain larch (4 – 5 cm). Peeled white by hand, natural tree surface remains tangible and perceptible



Tongue and groove

Tongue and groove planks made of 4 cm solid wood, highly resilient, no trickling of dust / sand, protection against direct rain



Laminated wood beams

Laminated wood beams made of non-impregnated larch, glued according to EN 14080:2013; for very large timber cross-sections; comparatively low shrinkage, almost completely free of cracks



Hardwood rungs

Climbing rungs made of hardwood (ash) Ø 4.2 cm, milled and mortised, secured against twisting, easy to grip and not cold for children to touch



Plywood

Plywood made of mountain larch, three-layer (3 cm) or five-layer (4 cm). High dimensional stability, waterproof, glued according to DIN EN 13353:2011



One-piece construction

Total construction of the slide made of 2 mm stainless steel, drawn in box form, surface glass bead blasted, without welding seam between sliding surface and side cheek



Swing seat

Ergonomically shaped swing seat made of rubber with soft shock absorbing edge. Durable due to strong profiled steel insert



Pendulum seat

Pendulum seat with a large rubber surface. Soft, protective edge and steel insert



Impact absorbing

The anti-slip swing platform is covered by a special tyre-like element for impact absorption



Richter Hercules type rope

Richter Hercules type rope, a combination of galvanised six-strand steel cables and polyester yarn, diameter > 20 mm, laid and glued with very good abrasion resistance, strong sheathing even in the case of damage by puncturing



Hercules rope

Hercules rope, for spliced net connections. A compound of steel rope for the core and polyester or polyamide yarn for the sheath. High abrasion resistance, 4 or 6 strands



Aluminium rope pressing

Aluminium rope pressing, cylindrically pressed, with rounded ends



S-connectors

S-connectors Ø 8.1 mm, made of high-quality stainless steel, rounded



Swing joint

Drop-forged, hot-dip galvanised swing joint with sintered bush and integrated swivel



Universal joint

Drop-forged, hot-dip galvanised universal joint, consists of two sintered bushes, for free swinging in any direction



Rotating rope connection

Rotatable fitting without dangerous openings, with sintered bush with integrated swivel to ensure the rope untwists



Rope connection fixed

Fixed rope connection without dangerous openings. Screw connection adjustable and countersunk in the wood



Rope connection with joint

Close-fitting connection with joint, without dangerous openings, with sintered bush and adjustable screw connection



Ball joint rope connection

Close-fitting rope connection with ball joint, without dangerous openings for free swinging in any direction, rotatable suspension with combination of plain bearings and roller bearings, adjustable screw connection



Double rope connection

Connection for complicated swing and swivel motion



Profiled washer

Profiled washer for covering protruding screw heads according to standard, improved pressure distribution and protection against water. Impedes loosening the bolt



Adjustable

Adjustable two-piece bolt connection, easy to maintain, no projecting threads



Interlocking

Interlocking connection, with milled metal rings or serrated disc dowels, to reinforce the bolt connection under high loads transverse to the grain direction of the wood



End grain connector

End grain connector as special fitting for the adjustable connection of horizontal and vertical timber



Sintered bush

For all reciprocating movements we use sintered plain bearings which are self-lubricating in use and can easily be exchanged if necessary



Steel reinforced rubber belt

Two-way steel reinforced rubber belt, total thickness approx. 11 mm, nearly indestructible



Large gated cableway

The large gated cableway covers the required safety distances. The cableway carriage comes to a smooth stop due to the difference in height of the gates and the cable slack



Tensioning device

Tensioning device enables one person to release and re-tension. Large winch radius and anti-kink function protect the rope



Cableway carriage

Our cableway carriage is designed as a sandwich construction. The „encapsulated“ running mechanism ensures quiet operation. The installation of the carriage is possible without dismantling the rope



Special steel cable

High density steel cable made of high-strength and hot-dip galvanized wire. Stable in length, durable and allows a smooth ride of the cableway carriage



Ground anchor

All parts used for anchoring to the ground are made of hot-dip galvanized steel or stainless steel



HPL ground anchor

Foundation anchor made of phenol resin paper-based laminates



Cross beam made of steel

Swing cross beam made of hot-dip galvanized steel. Optimized swing geometry with rigid corner connections, thus allowing for smaller foundations and easier foundation covering



Chains

Chains made of hot-dip galvanized steel (1.4301 / 1.4571 at extra charge) welded before galvanising, short-linked, without eyelets on the connecting parts, easy to exchange and shorten



Stainless Chains

Chains made of steel with high corrosion resistance. Short-linked, without eyelets on the connecting parts, easily replaceable and simple shortening



Distance fitting

Screw connection with distance fitting to avoid entrapment areas



Relief cut

Targeted relief cut as an effective measure against cracks caused by drying. The cut defines the position of the stress equalization in the trunk and minimises natural cracking



Roller bearings

Roller bearings made of stainless steel for rotating elements, easy to maintain and exchange, sealed



Fastening of rope

Fastening of rope / net by means of adjustable chain fixation, easy assembly and maintenance

Richter Wood Quality Criteria for Larch Wood

Origin

Exclusive use of mountain larch (bot. *larix decidua*) from the Alps. It grows 800 - 1800 m above sea level and comes from sustainable forestries. Our wood is PEFC certified according to PEFC ST 2002:2020 and PEFC ST 2001:2020. This certificate confirms that the sawn and round timber that is produced and sawn comes from sustainable forestry. Further information can be viewed on our website.

According to an official ranking, larch is a moderately rot-resistant type of wood - considerably less durable than robinia.

However, there are different kinds of larch. The larch which we use for our production grows in the mountains at a height of more than 800 m above sea level. Therefore, it has considerably better wood physical properties (and thus should actually be called *larix decidua montana*).

This advantages of this mountain grown larch are considerable:

- Less resin galls
- Less splinters
- Closer year rings
- Higher stability and predominantly enhanced durability.

Felling time

Our larch trees are felled in winter so that the cut wood can dry before fertile fungus spores, which can lead to early decomposition, appear.

Corning

During the natural ageing process of the tree, core materials are deposited in the wood. This corning is responsible for the rot-resistance of the mountain larch. Good corning and therefore suitability for ground insertion is recognisable to our colleagues by the red colour of the wood.

Sapwood

According to our wood quality criteria, timbers of mountain larch are delivered almost sapwood free.

Year rings

Wood with close year rings is more resistant to rot. Wood intended for ground insertion and for horizontal beams has particularly close rings. Our poles have at least 8 year rings in the outer 2 centimetres.

Evenness

We ensure that poles inserted into the ground and horizontal beams have centred rings so that close ring wood lies near the outer edge. We do not permit an eccentricity of the piths of greater than 3 cm.

Fungal attack

Occasionally even a standing tree is attacked by fungus. Such wood only gives limited durability, which is why we carefully sort it out.

Wood moisture

Wood-destroying fungi require high levels of moisture in the wood. We increase the lifespan of our wood through natural open-air drying. Advanced drying in the poles is demonstrated by the appearance of splits. Our sawn timber is already dried to around 15 - 20% of original wood moisture before it is used for construction.

Since 1989 we have manufactured much of our wooden play equipment of unimpregnated mountain larch. Our play equipment made of unimpregnated poles of mountain larch stands as a rule on steel feet. For short vertical pole length we do without steel feet construction more and more. For square timbers inserted into the ground we use oak core timber. The end-grained timber surfaces are cut on the cross and covered with paraffin wax.

Alphabetical index

A		Page
8.05000	Airplane (Large Wooden Airplane)	535
4.60010ff.	Animal figures made of concrete (Stroking Stones)	211-214
5.51000ff.	AQuadrat®	325
5.20500ff.	Archimedes Screws	281-284
3.67340ff.	Ascents (Ladders, Standard elements for combination with platforms)	101
4.24309	Awning/Sandbox cover	219
B		
4.24173	Baby Elephant	191
6.51700	Balance Blocks	397
3.68306	Balancing Beam (Inclined Balancing Beam, Standard element for combination with huts)	28
3.68301	Balancing Beam (Inclined Balancing Beam, Standard element for combination with platforms)	105
3.68301	Balancing Beam (Inclined Balancing Beam, Standard element for combination with towers)	55
6.81000	Balancing Beam (Straight Balancing Beam)	395
L6.51950	Balancing Rope with Holding Rope	401
L3.69010	Balancing Rope with Holding Rope (Standard element for combination with platform)	107
L3.69010	Balancing Rope with Holding Rope (Standard element for combination with towers)	59
9.15100	Ball Labyrinth	563
5.20950	Ball Valve (Water element made of stainless steel)	291
L6.99000	Ball Wall	555
L3.69700	Bar (Horizontal Bar, Standard element for combination with huts)	28
5.28031	Bar Gate (Water element made of stainless steel)	305
L6.96000	Bars (Horizontal Bars)	555
5.14800	Basin with transverse see-saw (Water element made of stainless steel)	254
6.11600	Beam See-saw	479
6.51500ff.	Beams (Rotating Beam, Straight Balancing Beam)	395
4.69010ff.	Bear (Stroking Stones)	214
7.90000	Bell Climbing Poles	453
L6.64710ff.	Belt Path	393
7.89550	Bench for Curve	614
L9.20000ff.	Benches	615
3.69464	Bent Fireman's Pole (Standard element for combination with platforms)	104
4.90010	Berta (Fish Berta)	81
4.90000	Big Bird Platform	79
5.15920	Big Bucket Wheel	257
4.08304	Big Fish with Slide and Ramp	167
4.08301	Big Fish with Slide and Staircase	167
3.17000ff.	Big Hexagonal Hut with roof	9
L3.28700	Big Hexagonal Platform with roof	67
3.53000	Big Pentagonal Tower	519
L4.10200ff.	Big Play House	141
L3.43000	Big Pyramid Tower	37-40

4.24100	Big Railway	181
6.70000	Big See-saw Platform	487
4.60010ff.	Big Sitting Cat (Stroking Stones)	212
L6.61000	Big Suspension Bridge	161
3.29740	Big Triangular Platform	109
6.29000	Big Wheelchair Carousel	375
8.85000	Bird (Ornithopter)	547
4.24273	Boar (Wobbly Wild Boar)	209
5.28030	Board Gate (Water element made of stainless steel)	305
4.24450ff.	Boards to paint (Drawing Boards)	603
6.03200ff.	Boats (Sailing Boats)	465
6.06500	Bouncing Flower	391
6.52500	Bow Bridge	159
5.54030ff.	Boxes (Play Landscape)	607
3.66300ff.	Bridge elements (Standard elements for combination with huts)	26
3.66300ff.	Bridge elements (Standard elements for combination with platforms)	100
3.66300ff.	Bridge elements (Standard elements for combination with towers)	54
6.62300	Bridge for Wheelchair (Suspension Bridge for Wheelchair)	163
6.52500ff.	Bridges	159-164
3.66300ff.	Bridges (Rigid Bridge, Standard elements for combination with huts)	26
3.66300ff.	Bridges (Rigid Bridge, Standard elements for combination with platforms)	100
3.66300ff.	Bridges (Rigid Bridge, Standard elements for combination with towers)	54
3.66530ff.	Bridges (Rope Bridges, Standard elements for combination with huts)	22
3.66530ff.	Bridges (Rope Bridges, Standard elements for combination with platforms)	98
3.66530ff.	Bridges (Rope Bridges, Standard elements for combination with towers)	52
5.09300	Building Site (Small Building Site)	233

C

L6.01050	Cableway up with starting ramp	387
4.24274	Calf (Wobbly Calf)	209
5.28045	Canal Lock (Water element made of stainless steel)	311
4.23100	Car (Little Speedster)	175
7.79100	Car (Off-road Vehicle)	215
6.18460	Car Tyre Swing	343
6.26502	Carousel (Carousel with seating ring)	367
6.26501ff.	Carousel (Small Carousel)	365
6.32500	Carousel (Small Wheelchair Carousel)	379
6.26503	Carousel (Standing Carousel)	369
6.26500	Carousel (Turntable)	365
6.29000	Carousel for Wheelchair (Big Wheelchair Carousel)	375
6.26502	Carousel with seating ring	367
L7.52000	Carousel-Swing (Seesaw-Carousel-Swing)	499
3.22000	Castle Tower	35
4.24210	Cat	195
9.11000ff.	Catch me if you can	559

5.00015	Caterpillar (Type 02)	593
5.00010ff.	Caterpillars (Type 01, 03, 04)	223-228
3.66260ff.	Chain Path elements (Standard element for combination with huts)	25
3.66260ff.	Chain Path elements (Standard element for combination with towers)	53
3.66290	Chain Path elements (Standard elements for combination with huts)	24
3.66250	Chain Path elements (Standard elements for combination with platforms)	102
3.66260ff.	Chain Path elements (Standard elements for combination with platforms)	99
L3.66220ff.	Chain Path elements (Standard elements for combination with platforms)	99
L3.66220	Chain Path elements (Standard elements for combination with towers)	53
6.52000ff.	Chain Paths	403
5.12803	Channel with transverse see-saw (Water element made of wood)	247-250
5.10203	Channel with wedge seal (Water element made of wood)	247-250
5.10403ff.	Channels with shutter (Water elements made of wood)	247-250
5.10303ff.	Channels with two-way seal (Water elements made of wood)	247-250
9.12000ff.	Chess Game	559
4.68010ff.	Chicken (Stroking Stones)	214
4.24260	Chicken Family	205
5.54050	Chill-Out Box	607
9.06000	Chimes (Dance Chimes)	587
7.78000	Chimney Slide	527
10.80000ff.	Climbing forest with design examples and combination elements	457-464
6.49103	Climbing Grip (Single element for Rope Course)	426
3.69410	Climbing Ladder with beam (Standard element for combination with towers)	58
3.69412ff.	Climbing Ladders with beam (Standard elements for combination with platforms)	104
4.20000	Climbing Loom	413
3.69840	Climbing Net Inclined (Standard element for combination with triangular platforms)	116
L6.51600ff.	Climbing Net Vertical	449
L6.51630	Climbing Net Vertical	449
3.69355	Climbing Net Vertical (Standard element for combination with huts)	20
3.69850	Climbing Net Vertical (Standard element for combination with triangular platforms)	116
L3.69350	Climbing Net Vertical with Firemen's Pole (Standard element for combination with towers)	50
L3.69350	Climbing Net Vertical with Firemen's Pole (Standard elements for combination with platforms)	105
3.69120ff.	Climbing Nets Inclined (Standard elements for combination with huts)	20
3.69140ff.	Climbing Nets Inclined (Standard elements for combination with platforms)	96
L3.69103ff.	Climbing Nets Inclined (Standard element for combination with towers)	50
7.90000	Climbing Poles (Bell Climbing Poles)	453
4.21100ff.	Climbing Pyramids	421-424
3.69430ff.	Climbing Ropes (Standard elements for combination with huts)	30

L6.51820ff.	Climbing Ropes elements	399
3.69451ff.	Climbing Ropes with Beam (Standard elements for combination with platforms)	104
4.21000ff.	Climbing Stacks (Type 1, 3, 5)	415-420
6.51002ff.	Climbing Structures (Type 02, 06, 07, 08, 09, 17, 18, 19, 20)	431-448
3.69506ff.	Climbing Trunks (Standard elements for combination with huts)	29
3.69502ff.	Climbing Trunks (Standard elements for combination with platforms)	108
3.69502ff.	Climbing Trunks (Standard elements for combination with towers)	60
3.67503	Climbing Wall (Standard elements for combination with huts)	30
7.77010ff.	Climbing Walls	451
3.67505ff.	Climbing Walls (Standard elements for combination with platforms)	103
3.67502ff.	Climbing Walls (Standard elements for combination with towers)	58
5.10010	Combination (Water Combination „Small Fish“)	245
L6.46000	Combination of Whisk, Rope Bar and Vertical Climbing Net	553
7.83001ff.	Comes Around (Type 01, 02)	531
6.49100ff.	Concrete Columns (Single element for rope course)	426
5.18250	Concrete Well for Pedal Pump	271
5.09415ff.	Conveyor Track	235
6.14520	Cradle Nest special	337-340
5.17637ff.	Crank Handle Pumps	259
4.72010ff.	Crocodile (Stroking Stones)	214
L6.10100	Cross Scale	475
6.49131	Crossed Rope (Single element for Rope Course)	426
3.69865	Crossing (Rope Crossing with PP-rope, Standard element for combination with triangular platforms)	117
3.69825	Crossing (Rope Crossing with Walking Timbers, Standard element for combination with triangular platforms)	115
4.09100	Cube (Play Cube with combination elements)	139
7.89500	Curve	613
9.02410	Cushions (Sound Cushions)	571
8.03100	Cutter	511

D

4.24178	Dachshund	193
5.20900	Dam	289
5.20910ff.	Damming Wedges	289
9.06000	Dance Chimes	587
4.24250	Dancing Mice	207
7.89552	Disc roating for Curve	614
5.27030ff.	Discs for Forest Fountain	300
9.10500ff.	Distorting Mirror	597
4.24178	Dog (Dachshund)	193
4.66010ff.	Dog (Stroking Stones)	214
L6.43000ff.	Double Hammock Seat	349
L6.51900	Double Hanging Rope	401
L3.68510	Double Hanging Rope (Standard element for combination with platforms)	107
L3.68500	Double Hanging Rope (Standard element for combination with towers)	59
6.11610	Double See-saw	479

4.24450ff.	Drawing Boards	603
4.24240	Duck Family	205
4.06000	Dwarf Hill	71

E

9.03000	Ear- and Speaking Trumpet	581
4.24173	Elephant (Baby Elephant)	191
8.99210	Elephant with Trunk Slide	549
3.66231	End Frame for Inclined Chain Path (Standard element for combination with huts)	25
3.66232	End Frame for Inclined Chain Path (Standard element for combination with platforms)	99
3.66232	End Frame for Inclined Chain Path (Standard element for combination with towers)	53
3.66382	End Frame for Ramp (Standard element for combination with huts)	26
3.66388	End Frame for Ramp (Standard element for combination with platforms)	100
3.66388	End Frame for Ramp (Standard element for combination with towers)	54
3.69813	End Frame incl. Rope Ascent with Aluminium Swages (Standard element for combination with triangular platforms)	118
3.69823	End Frame incl. Rope Ascent with Walking Timbers (Standard element for combination with triangular platforms)	115
5.30000	Excavator (Large Excavator)	239
5.32000	Excavator (Small Excavator)	239
5.30100	Excavator with wheelchair access	241
7.14120	Extra High Swing special	493
7.14020	Extra High Twin Swing special	493

F

3.66350ff.	Fastening Frame for attachment of Bridge (Standard elements for combination with towers)	55
3.66240	Fastening Frame for attachment of Chain Path (Standard elements for combination with towers)	55
3.66360ff.	Fastening Frame for Bridge (Standard elements for combination with huts)	24
3.66370	Fastening Frame for Bridge (Standard elements for combination with platforms)	102
3.66350ff.	Fastening Frame for Bridge (Standard elements for combination with towers)	55
3.66603ff.	Fastening Frames for attachment of Rope Bridge (Standard elements for combination with huts)	23
3.66603ff.	Fastening Frames for attachment of Rope Bridge (Standard elements for combination with towers)	56
3.66005ff.	Fastening Frames for attachment of Suspension Bridge (Standard elements for combination with towers)	56
7.85001ff.	Fences (Sitting Fences)	611
9.07000	Ferraphone	589
5.44000	Ferry (Rope Ferry)	319
3.69464	Fireman's Pole (Bent Fireman's Pole, Standard element for combination with platforms)	104
6.49138	Fireman's Pole (Single element for Rope Course)	426
3.69480	Firemen's Pole (Standard element for combination with huts)	28

3.69460	Firemen's Pole (Straight Firemen's Pole with beam, Standard element for combination with towers)	58
3.69460	Firemen's Pole (Straight Firemen's Pole with beam, Standard element for combination with platforms)	104
3.69460	Firemen's Pole (Straight Firemen's Pole with beam, Standard element for combination with towers)	58
L6.51600ff.	Firemen's Pole with Climbing Net (Vertical Climbing Net)	449
4.90010	Fish Berta	81
4.08503	Fish with Peepholes, Floor and Bench (Small Fish with Peepholes, Floor and Bench)	173
4.08304	Fish with Slide and Ramp (Big Fish with Slide and Ramp)	167
4.08301	Fish with Slide and Staircase (Big Fish with Slide and Staircase)	167
4.08502	Fish with Stainless Steel Incline, Ramp and Staircase (Small Fish with Stainless Steel Incline, Ramp and Staircase)	171
4.08501	Fish with Stainless Steel Inclined and Staircase (Small Fish with Stainless Steel Inclined and Staircase)	169
4.08301ff.	Fishes	167-174
5.41020ff.	Flow Tables	313
5.27001ff.	Forest Fountain	299-302
5.28003	Foundation Anchor for Lever Pump	303
5.18006	Foundation Anchor for Mushroom Springs	265
5.18054	Foundation Anchor for Splash Pumps	269
5.18056	Foundation Anchor for Spraying Heads	277-280
5.17505ff.	Foundation Anchors for Pumps	263
9.15000	Four in a row	561
3.66370	Frame (Fastening Frame for Bridge, Standard elements for combination with platforms)	102
3.66250	Frame (Support Frame for Chain Path, Standard elements for combination with platforms)	102
4.63010ff.	Frog (Stroking Stones)	212

G

8.76000	Giant Elephant with Tunnel Slide	539
7.25000	Giant Revolving Disc	381
L6.00001	Giraffe Swing	525
L6.98000	Goal	555
6.49120ff.	Grip Ropes with walk rope (Single element for Rope Course)	426

H

6.44000	Hammock	351
6.49141	Hammock (Single element for Rope Course)	426
L6.43000ff.	Hammock Seats	349
L6.51900	Hanging Rope (Double Hanging Rope)	401
L3.68510	Hanging Rope (Double Hanging Rope, Standard element for combination with platforms)	107
L3.68500	Hanging Rope (Double Hanging Rope, Standard element for combination with towers)	59
3.15100ff.	Hexagonal Huts	7-10
3.26920	Hexagonal platform roof	94
L3.28101ff.	Hexagonal Platforms	65-68
6.17020	Hexagonal Swing special	341
7.14120	High Swing (Extra High Swing special)	493
6.13020	High Swing special	335

3.19852	High Swing special long (Standard element for combination with platforms)	95
6.14020	High Twin Swing special	335
3.19042	High Twin Swing special (Standard element for combination with towers)	49
4.06000	Hill (Dwarf Hill)	71
3.69470	Holding Rope for Inclined Wall (Standard element for combination with huts)	27
3.69440ff.	Holding Ropes for Inclined Wall (Standard elements for combination with platforms)	106
3.69440ff.	Holding Ropes for Inclined Wall (Standard elements for combination with towers)	57
5.25000	Hopper (Splash Hopper)	295
L3.69700	Horizontal Bar (Standard element for combination with huts)	28
L6.96000	Horizontal Bars	555
L6.51640ff.	Horizontal triangular nets	455
4.24130	Horse	185
4.24225	Horse (Rocking Horse)	201
4.24130ff.	Horses/Ponys	185-190
7.82300	House (Meeting House with Seating Circle)	11
L4.10700ff.	House Groups	149-154
3.12300	Hut (Triangular Hut)	3
3.12100ff.	Huts	3-10

I

3.68306	Inclined Balancing Beam (Standard element for combination with huts)	28
3.68301	Inclined Balancing Beam (Standard element for combination with platforms)	105
3.68301	Inclined Balancing Beam (Standard element for combination with towers)	55
3.69840	Inclined Climbing Net (Standard element for combination with triangular platforms)	116
3.69120ff.	Inclined Climbing Nets (Standard elements for combination with huts)	20
3.69140ff.	Inclined Climbing Nets (Standard elements for combination with platforms)	96
L3.69103ff.	Inclined Rope Climbing Nets (Standard elements for combination with towers)	50
3.67531ff.	Inclined Walls (Standard elements for combination with huts)	27
3.67499ff.	Inclined Walls (Standard elements for combination with platforms)	106
3.67511ff.	Inclined Walls (Standard elements for combination with towers)	57
9.05500ff.	Instrument	585
5.18052	Intake Container for Splash Pumps	269

J

6.50600	Jackstraws See-saw	485
6.03400	Jet Plane (Small Jet Plane)	467
5.18810ff.	Jets for See-saw Pump (Spraying Heads for See-saw Pump)	277-280
6.06000	Jumping Disc	389

K

9.08000ff.	Kling Klang Discs	591
------------	-------------------	-----

L

9.15100	Labyrinth (Ball Labyrinth)	563
8.95101	Labyrinth (Ramp Labyrinth)	83
3.69410	Ladder (Climbing Ladder with beam, Standard element for combination with towers)	58
3.69412ff.	Ladders (Rope Climbing Ladders with beam, Standard elements for combination with platforms)	104
3.67340ff.	Ladders (Standard elements for combination with platforms)	101
4.21100	Large Climbing Pyramid	421
5.30000	Large Excavator	239
L6.01100ff.	Large Gated Cableway up	385
6.26402	Large Spinner	363
L4.10400ff.	Large Timber House on Stilts	145
8.02000	Large Twin-Masted Ship	513
8.05000	Large Wooden Airplane	535
5.28000ff.	Lever Pump	303
9.65080ff.	Light Windmill (Windchimes)	617
4.24175	Lion	191
4.08100	Little Chicken	165
4.08110	Little Fish	165
4.06010ff.	Little Mountain	73
4.23100	Little Speedster	175
5.18500	Little Whale	273
5.20930ff.	Lock Gate (Water element made of stainless steel)	291
5.27010ff.	Long Handle Pump for Forest Fountain	301
4.73010ff.	Lop-eared Rabbit (Stroking Stones)	214
7.15000	Lounging Logs	405

M

7.16000	Maypole	495
6.26401	Medium Spinner	363
7.82300	Meeting House with Seating Circle	11
8.01000	Metal Ship „Sand“	507
4.24250	Mice (Dancing Mice)	207
3.52000	Middle Pentagonal Tower	519
L3.42000	Middle Pyramid Tower	37-40
3.29700	Middle Triangular Platform	109
L3.42500	Midsized Pyramid Tower	37-40
5.15813ff.	Mill Wheels	255
9.10020	Mirror Rotunda	595
9.14000ff.	Morris Game	559
8.79000	Mountain Guard	541
4.06010ff.	Mountains (Little Mountains)	73
4.24190	Mouse	195
5.10603ff.	Mud Tables	247-250
5.14700	Mud Trough (Water element made of stainless steel)	254
7.80100	Multi-Step for Throne Ring	609
6.12620ff.	Multi-surface Swings special	333

6.12820	Multi-surface Twin Swing special	333
5.18030ff.	Mushroom Column Springs	265
5.25500ff.	Mushroom Hopper	297
5.18000ff.	Mushroom Springs	265

N

5.42050ff.	Nautilus Snails	315
L3.69350	Net (Vertical Climbing Net with Firemen's Pole for platforms)	105
L6.51600ff.	Net (Vertical Climbing Net)	449
L6.51640ff.	Nets (Horizontal triangular nets)	455
6.49122ff.	Nets (Single elements for Rope Course)	426
3.69120ff.	Nets (Standard elements for combination with huts)	20
3.69140ff.	Nets (Standard elements for combination with platforms)	96
L3.69103ff.	Nets (Standard elements for combination with towers)	50
3.69840ff.	Nets (Standard elements for combination with triangular platforms)	116
8.02020	Nil-Galley (Ship „Nil-Galley“)	515

O

7.79000	Octagonal Tower with climbing rope	41
7.79100	Off-road Vehicle	215
3.67000	Open Slide	133
8.85000	Ornithopter	547

P

9.15200	Pairs	565
9.05000	Parabolic Reflectors	583
6.49114	Parallel Rope (Single element for Rope Course)	426
L7.67000	Partner Pendulum	503
5.18130ff.	Pedal Pumps	271
3.64311	Pedestal for Slides	131
5.24520ff.	Pedestal Pipe (Water element made of concrete)	293
3.20860	Pentagonal Tower on Stilts	33
3.52000ff.	Pentagonal Towers	519
4.24140	„Peter“ Horse-cart	185
9.02700ff.	Phones	579
4.24180	Pig	195
9.02660	Piper	577
6.03400	Plane (Small Jet Plane)	467
4.90000	Platform Big Bird (Big Bird Platform)	79
4.14904ff.	Platform Houses	75-78
3.13100ff.	Platform Huts	5
3.23500	Platform on Stilts Triangular (Triangular Platform on Stilts)	61
3.26800ff.	Platform roofs	93
L3.30000	Platform Tower	517
L3.26101ff.	Platforms	63-68
3.29700ff.	Platforms (Triangular Platforms)	109
7.78500	Play Block	529
4.09100	Play Cube with combination elements	139
4.10105	Play House (Smallest Play House)	143

L4.10100ff.	Play Houses	141
8.00010	Play Pyramid (Small Play Pyramid)	533
4.24170	Play Table	601
2.15001	Play Village	1
8.50001	Play Wall Type 01	537
5.17630ff.	Playground Pumps	259-262
4.51110	Polar Bear	523
4.51100ff.	Polar Bear Family (Polar Bear, Small Polar Bear)	523
3.69480	Pole (Firemen's Pole, Standard element for combination with huts)	28
4.24135	Pony	187
4.65010ff.	Pony (Stroking Stones)	212
4.24145	Pony and Trap	187
5.19003ff.	Pump Pedestals	263
5.27020ff.	Pump See-saw for Forest Fountain	301
5.18130ff.	Pumps (Pedal Pumps)	271
5.17630ff.	Pumps (Playground Pumps)	259-262
5.18600ff.	Pumps (See-saw Pumps)	275
5.18050ff.	Pumps (Splash Pumps)	269
4.19200	Pyramid (Rope Pyramid)	411
L3.41000ff.	Pyramid Towers	37-40

Q

L6.43500ff.	Quadro-Hammock Seat	349
L7.68000	Queen Swing	505

R

4.73010ff.	Rabbit (Stroking Stones)	214
5.45000	Raft	321
4.24100ff.	Railways	181-184
8.95101	Ramp Labyrinth	83
5.27037	Reservoir (Element from Forest Fountain)	300
5.10103ff.	Reservoir (Water element made of wood)	247-250
5.22000ff.	Reservoirs (Round Reservoirs, Water element made of concrete)	293
4.62010ff.	Resting Cat (Stroking Stones)	212
4.24176	Rhino	191
3.66300ff.	Rigid Bridge (Standard elements for combination with huts)	26
3.66300ff.	Rigid Bridge (Standard elements for combination with platforms)	100
3.66300ff.	Rigid Bridge (Standard elements for combination with towers)	54
4.24120	RIKO Railway	183
6.10300	Ring Scales	355
5.28040	River Fork (Water element made of stainless steel)	311
7.89552	Roating Disc for Curve	614
6.04000	Rocker	469
4.24225	Rocking Horse	201
7.82000	Roof (Shelter)	11
3.26920	Roof for hexagonal platforms	94
3.26800ff.	Roofs for platforms	93
L3.69010	Rope (Balancing Rope with Holding Rope, Standard element for combination with platform)	107

L3.69010	Rope (Balancing Rope with Holding Rope, Standard element for combination with towers)	59
3.69430ff.	Rope (Climbing Rope, Standard elements for combination with huts)	30
L3.68510	Rope (Double Hanging Rope, Standard element for combination with platforms)	107
3.69470	Rope (Holding Rope for Inclined Wall, Standard element for combination with huts)	27
3.69450	Rope (Swing Rope with Beam, Standard elements for combination with towers)	58
3.69813	Rope Ascent with End Frame and Aluminium Swages (Standard element for combination with triangular platforms)	118
3.69823	Rope Ascent with End Frame and Walking Timbers (Standard element for combination with triangular platforms)	115
6.45100	Rope Bar	553
6.49140	Rope Bar (Single element for Rope Course)	426
L3.66520ff.	Rope Bridge elements (Standard elements for combination with platforms)	98
L3.66520ff.	Rope Bridge elements (Standard elements for combination with towers)	52
3.66530ff.	Rope Bridges (Standard elements for combination with huts)	22
3.66530ff.	Rope Bridges (Standard elements for combination with platforms)	98
3.66530ff.	Rope Bridges (Standard elements for combination with towers)	52
3.66523ff.	Rope Bridges elements (Standard elements for combination with huts)	22
3.69410	Rope Climbing Ladder with beam (Standard element for combination with towers)	58
3.69412ff.	Rope Climbing Ladder with beam (Standard elements for combination with platforms)	104
6.49010ff.	Rope Course combination elements	425
6.49010ff.	Rope Courses (Type 01, 02)	427-430
3.69865	Rope Crossing with PP-rope (Standard element for combination with triangular platforms)	117
3.69825	Rope Crossing with Walking Timbers (Standard element for combination with triangular platforms)	115
5.44000	Rope Ferry	319
4.19000	Rope Nest	409
4.19200	Rope Pyramid	411
3.69451ff.	Ropes (Climbing Ropes with Beam, Standard elements for combination with platforms)	104
3.69440ff.	Ropes (Holding Ropes for Inclined Wall, Standard elements for combination with platforms)	106
3.69440ff.	Ropes (Holding Ropes for Inclined Wall, Standard elements for combination with towers)	57
6.49128ff.	Ropes (Single elements for Rope Course)	426
6.51500	Rotating Beam	395
5.20850	Rotating Conveyor with Tipper Trays	285
7.26000	Rotating Disc	383
5.28035	Rotating Gate (Water element made of stainless steel)	307
6.32000	Rotating Plate	377
5.28033ff.	Round Flaps (Water elements made of stainless steel)	309
5.10603	Round Mud Table	247-250
5.22000ff.	Round Reservoirs (Water element made of concrete)	293
4.40000	Round Table	605
4.35000	Round Table with 8 Benches	605

4.10600	Round Village	521
5.24000ff.	Round Water Basins (Water element made of concrete)	293
6.26000	Roundabout	359
3.66090ff.	Running Boards for Suspension Bridge with chain handrails (Standard elements for combination with huts)	21
3.66090ff.	Running Boards for Suspension Bridge with chain handrails (Standard elements for combination with platforms)	97
3.66090ff.	Running Boards for Suspension Bridge with chain handrails (Standard elements for combination with towers)	51

S

5.54060	Sail for Sand Box and Chill-Out Box	607
6.03200ff.	Sailing Boats	465
4.24305	Sand Box	219
5.54030	Sand Box (Play Landscape)	607
3.19100	Sand Play Equipment (Standard element for combination with huts)	30
5.09600	Sand Play Platform for wheelchair	237
4.07501ff.	Sand Ships	217
5.00001	Sand Snake	221
5.06100ff.	Sand Transport System	231
L6.10000	Scale	327
L6.10100	Scale (Cross Scale)	475
L6.10200	Scale (Swing Scale)	329
8.80500	Science Fiction Town	543
5.42010	Scoop (Water Scoop)	287
5.20880	Scooping Wheel	287
5.20500ff.	Screws (Archimedes Screws)	281-284
9.02650ff.	Sea roarer	577
4.60110ff.	Seal (Stroking Stones)	212
7.89550	Seat bench for Curve	614
7.82300	Seating Circle (Meeting House with Seating Circle)	11
5.14520	See-saw Basin (Water element made of stainless steel)	254
5.13500	See-saw Flooder (Water element made of stainless steel)	252
6.75010	See-saw for Wheelchair (Wheelchair See-saw)	489
6.70000	See-saw Platform (Big See-saw Platform)	487
5.18600ff.	See-saw Pumps	275
L7.52000	Seesaw-Carousel-Swing	499
6.11000ff.	See-saws	477-480
9.63010ff.	Shadow play	599
4.24270	Sheep (Wobbly Sheep)	209
4.24195ff.	Sheeps	197
7.82000	Shelter	11
8.02000	Ship „Large Twin-Masted Ship“	513
8.02020	Ship „Nil-Galley“	515
8.02030	Ship „Small Twin-Masted Ship“	509
8.01000	Ship (Metal Ship „Sand“)	507
6.08000	Ship (Swaying Ship)	473
5.28032	Sickle Gate (Water element made of stainless steel)	307
5.18870ff.	Simple Spraying Heads	277-280
3.19032	Single Swing for Towers special (Standard element for combination with towers)	49

3.19802	Single Swing special long (Standard element for combination with huts)	19
7.85001ff.	Sitting Fences	611
9.65040ff.	Six-fan Windmill (Windchimes)	617
7.15500ff.	Slacklines	407
3.67000	Slide (Open Slide)	133
3.68000	Slide (Tunnel Slide)	135
3.65200ff.	Slide Support with Steps	133
3.63020ff.	Slides (Stainless Steel Slides)	119-138
3.19200ff.	Slides (Stainless Steel Slides, Standard elements for combination with huts)	119
3.63020ff.	Slides (Stainless Steel Slides, Standard elements for combination with platforms)	125
3.63020ff.	Slides (Stainless Steel Slides, Standard elements for combination with towers)	121
3.63302ff.	Slides for Wheelchair (Slides made of stainless steel for Wheelchair)	129
3.63020ff.	Slides made of stainless steel	123-130
3.63020ff.	Slides made of stainless steel (Standard element for combination with platforms)	125
3.63020ff.	Slides made of stainless steel (Standard element for combination with towers)	121
3.63302ff.	Slides made of stainless steel for Wheelchair	129
3.64311	Slides Pedestal	131
9.19100ff.	Small Ball Tracks	567
5.15900ff.	Small Bucket Wheel	257
5.09300	Small Building Site	233
6.26501ff.	Small Carousel	365
4.21110	Small Climbing Pyramid	423
4.72010ff.	Small Crocodile (Stroking Stones)	214
5.32000	Small Excavator	239
5.10010	„Small Fish“ Water Combination (Water Combination „Small Fish“)	245
4.08503	Small Fish with Peepholes, Floor and Bench	173
4.08501	Small Fish with Stainless Steel Incline and Staircase	169
4.08502	Small Fish with Stainless Steel Incline, Ramp and Staircase	171
3.15100ff.	Small Hexagonal Huts	7
6.03400	Small Jet Plane	467
3.14100ff.	Small Platform Huts	5
L4.10100ff.	Small Play Houses	141
8.00010	Small Play Pyramid	533
4.51120	Small Polar Bear	523
L3.41000	Small Pyramid Tower	37-40
4.71010ff.	Small Resting Cat (Stroking Stones)	214
6.11700	Small See-saw	481
4.61010ff.	Small Sitting Cat (Stroking Stones)	212
4.24235	Small Snail	203
6.26400	Small Spinner	361
L4.10300ff.	Small Timber House on Stilts	145
4.24005	Small Tractor	179
3.12100	Small Triangular Hut	3
3.29710	Small Triangular Platform	109

4.70010ff.	Small Turtle (Stroking Stones)	214
8.02030	Small Twin-Masted Ship	509
5.43800	Small Waterworks	317
6.32500	Small Wheelchair Carousel	379
4.10105	Smallest Play House	143
4.74010ff.	Snail (Stroking Stones)	214
4.24220	Snail Queen	199
3.68050	Snail run-out for Open Slide/Tunnel Slide	137
4.24230ff.	Snails	203
5.42050ff.	Snails (Nautilus Snails)	315
5.12053ff.	Solid Water Channels (Water elements made of wood)	247-250
9.02410	Sound Cushions	571
9.02431	Sound Roller	573
9.06710	Sound Wall	585
7.89551	Sound Wall for Curve	614
9.03000	Speaking- and Ear Trumpet (Ear- and Speaking Trumpet)	581
4.23100	Speedster (Little Speedster)	175
6.49122	Spiderweb (Single element for Rope Course)	426
6.26400ff.	Spinners	361-364
5.25000	Splash Hopper	295
5.25070	Splash Hopper for external Sprayhead	295
5.18050ff.	Splash Pumps	269
5.27030ff.	Spraying Heads for Forest Fountain	300
5.18810ff.	Spraying Heads for See-saw Pump	277-280
5.18880ff.	Spring Heads	277-280
5.10703	Square Mud Table	247-250
L3.26101ff.	Square Platforms	63
L3.20500ff.	Square Towers	31
10.80000ff.	Standard elements for combination with Climbing Forest	461-464
3.19802ff.	Standard elements for combination with huts	13-30
3.19852ff.	Standard elements for combination with platforms	85-108
6.49010ff.	Standard elements for combination with Rope Course	425
L3.66030ff.	Standard elements for combination with towers	43-60
3.69823ff.	Standard elements for combination with triangular platforms	111-118
6.26503	Standing Carousel	369
7.80100	Steps (Multi-Step)	609
4.40050ff.	Stool with back	605
6.81000	Straight Balancing Beam	395
3.69460	Straight Firemen's Pole with beam (Standard element for combination with platforms)	104
3.69460	Straight Firemen's Pole with beam (Standard element for combination with towers)	58
4.16100ff.	Street Acrobats (Type 01, 02)	155-158
9.10010	Street Musicians	551
4.60010ff.	Stroking Stones	211-214
3.66250	Support Frame for Chain Path (Standard elements for combination with platforms)	102
3.66603ff.	Support Frames for Rope Bridge (Standard elements for combination with huts)	23
3.66645ff.	Support Frames for Rope Bridge (Standard elements for combination with huts)	23

3.66623ff.	Support Frames for Rope Bridge (Standard elements for combination with platforms)	102
3.66603ff.	Support Frames for Rope Bridge (Standard elements for combination with towers)	56
3.66055ff.	Support Frames for Suspension Bridge (Standard elements for combination with huts)	23
3.66075ff.	Support Frames for Suspension Bridge (Standard elements for combination with platforms)	102
3.66005ff.	Support Frames for Suspension Bridge (Standard elements for combination with towers)	56
L6.61000	Suspension Bridge (Big Suspension Bridge)	161
3.66033ff.	Suspension Bridge elements (Standard elements for combination with huts)	21
L3.66030ff.	Suspension Bridge elements (Standard elements for combination with platforms)	97
L3.66030ff.	Suspension Bridge elements (Standard elements for combination with towers)	51
6.62300	Suspension Bridge for Wheelchair	163
3.66090ff.	Suspension Bridge Running Boards with chain handrails (Standard elements for combination with huts)	21
3.66090ff.	Suspension Bridge Running Boards with chain handrails (Standard elements for combination with platforms)	97
3.66090ff.	Suspension Bridge Running Boards with chain handrails (Standard elements for combination with towers)	51
6.14720	Swallow's Nest special	339
6.08000	Swaying Ship	473
6.18460	Swing (Car Tyre Swing)	343
3.19852	Swing (High Swing special long, Standard element for combination with platforms)	95
L7.52000	Swing (Seesaw-Carousel-Swing)	499
6.12020	Swing (Toddler's Swing special)	331
6.12720	Swing (Toddler's Twin Swing special)	331
L6.29110	Swing for Wheelchair (Wheelchair Swing)	345
7.65000ff.	Swing Rope Equipments	501
3.69450	Swing Rope with Beam (Standard elements for combination with towers)	58
L6.10200	Swing Scale	329
4.24150	Swinging Horse	189
9.55000	Swinging Table for Water Filling	491
3.19032ff.	Swings (Standard elements for combination with towers)	49

T

L9.21000	Table	615
4.24170	Table (Play Table)	601
4.35000	Table (Round Table with 8 Benches)	605
4.40000	Table (Round Table)	605
4.35050	Table (Toddler's Table with 8 Stools)	601
7.89000	Table Tennis Table	557
7.64200ff.	Tarzan Ropes	353
7.80000	Throne Ring	609
L4.10300ff.	Timber Houses on Stilts	145
5.20850	Tipper Trays (Rotating Conveyor with Tipper Trays)	285
6.12020	Toddler's Swing special	331
4.35050	Toddler's Table with 8 Stools	601

6.12720	Toddler's Twin Swing special	331
8.81000	Topsy-Turvy Tree House	545
6.05000	Totter Beam	471
4.03010	Totter Trail Type 01	69
L3.30000	Tower (Platform Tower)	517
3.20860	Tower on Stilts (Pentagonal Tower on Stilts)	33
L3.20500ff.	Towers	31-42
4.24000	Tractor	177
4.24005	Tractor (Small Tractor)	179
4.24015	Tractor Trailer (Trailer for small Tractor)	179
4.24010	Tractor Trailer (Trailer for Tractor)	177
7.45000	Tractor Tyre Swing	497
4.03010	Trail (Totter Trail Type 01)	69
4.24015	Trailer for small Tractor	179
4.24010	Trailer for Tractor	177
5.05001	Transport System	229
8.81000	Tree House (Topsy-Turvy Tree House)	545
5.15602ff.	Triangular Channels (Water elements made of wood)	247-250
3.12300	Triangular Hut	3
3.12100	Triangular Hut (Small Triangular Hut)	3
6.49124ff.	Triangular Nets (Single elements for Rope Course)	426
3.23500	Triangular Platform on Stilts	61
3.29700ff.	Triangular Platforms	109
6.49128ff.	Triple Ropes (Single elements for Rope Course)	426
4.24200	Trunk Seat	601
8.99210	Trunk Slide (Elephant with Trunk Slide)	549
3.68000	Tunnel Slide	135
6.27000ff.	Turning Tyre	483
6.26500	Turntable	365
4.64010ff.	Turtle (Stroking Stones)	212
L6.42000	Twin Pendulum	347
6.11620	Twin See-saw	479
7.14020	Twin Swing (Extra High Twin Swing special)	493
8.02030	Twin-Masted (Small Twin-Masted Ship)	509
8.02000	Twin-Masted Ship (Large Twin-Masted Ship)	513
L4.10500	Two Storey Play House	147
7.45000	Tyre Swing (Tractor Tyre Swing)	497

V

L6.51600ff.	Vertical Climbing Nets	449
L6.51630	Vertical Climbing Net	449
6.49123	Vertical Climbing Net (Single element for Rope Course)	426
3.69355	Vertical Climbing Net (Standard element for combination with huts)	20
3.69850	Vertical Climbing Net (Standard element for combination with triangular platforms)	116
L3.69350	Vertical Climbing Net with Firemen's Pole (Standard elements for combination with platforms)	105
L3.69350	Vertical Climbing Net with Firemen's Pole (Standard elements for combination with towers)	50
4.10600	Village (Round Village)	521

W

6.49108ff.	Walk Ropes (Single elements for Rope Course)	426
3.66260ff.	Walkway with/without safety board for Chain Path (Standard element for combination with huts)	25
3.66260ff.	Walkway with/without safety board for Chain Path (Standard element for combination with platforms)	99
3.66260ff.	Walkway with/without safety board for Chain Path (Standard element for combination with towers)	53
L6.99000	Wall (Ball Wall)	555
3.67503	Wall (Climbing Wall, Standard elements for combination with huts)	30
7.77010ff.	Walls (Climbing Walls)	451
3.67505ff.	Walls (Climbing Walls, Standard elements for combination with platforms)	103
3.67531ff.	Walls (Inclined Walls, Standard elements for combination with huts)	27
3.67499ff.	Walls (Inclined Walls, Standard elements for combination with platforms)	106
3.67511ff.	Walls (Inclined Walls, Standard elements for combination with towers)	57
7.77010ff.	Walls to climb (Climbing Walls)	451
9.70000	Waste Bin	615
5.22000ff.	Water Basins (Round Reservoirs, Water elements made of concrete)	293
L5.09501	Water Building Site	243
5.10010	Water Combination „Small Fish“	245
5.22000ff.	Water elements made of concrete	293
5.13000ff.	Water elements made of stainless steel	251-254
5.10103ff.	Water elements made of wood	247-250
5.20905	Water Flap (Water element made of stainless steel)	289
5.13000ff.	Water Flooders (Water elements made of stainless steel)	252
5.46050	Water Path	323
5.18020ff.	Water Push Buttons	267
5.42010	Water Scoop	287
5.12503	Water See-saw (Water element made of wood)	247-250
5.20907	Water Switch (Water element made of stainless steel)	291
5.14050ff.	Water Trays (Water elements made of stainless steel)	254
5.43800	Waterworks (Small Waterworks)	317
5.18250	Well (Concrete Well for Pedal Pump)	271
5.18500	Whale (Little Whale)	273
6.29000	Wheelchair Carousel (Big Wheelchair Carousel)	375
6.32500	Wheelchair Carousel (Small Wheelchair Carousel)	379
5.30100	Wheelchair Excavator (Excavator with wheelchair access)	241
5.09600	Wheelchair Sand Play Platform (Sand Play Platform for wheelchair)	237
6.75010	Wheelchair See-saw	489
6.62300	Wheelchair Suspension Bridge (Suspension Bridge for Wheelchair)	163
L6.29110	Wheelchair Swing	345
6.28000ff.	Whirligig	373
6.10500	Whirlwind	357
6.27600ff.	Whisk	553
6.49139	Whisk (Single element for Rope Course)	426

9.65070ff.	Wind Cone (Windchimes)	617
9.65060ff.	Wind Disc (Windchimes)	617
9.02400	Wind Pipes	569
9.02500	Wind Pumps	575
9.65040ff.	Windchimes	617
9.65080ff.	Windmill (Light Windmill, Windchimes)	617
5.17634ff.	Winter Lids	263
6.27300	Wobble Dish	371
3.69833	Wobbly Bridge (Standard element for combination with triangular platforms)	118
4.24274	Wobbly Calf	209
4.24270	Wobbly Sheep	209
4.24273	Wobbly Wild Boar	209
8.05000	Wooden Airplane (Large Wooden Airplane)	535



PEFC

PEFC/04-31-2482

Promoting
Sustainable Forest
Management

www.pefc.org

Explanation of following icons



Videos

You can find videos on our website for the equipment marked with this icon.



Young People

The equipment marked with this icon is also especially suited for young people.



Inclusion

The equipment marked with this symbol is barrier-free accessible and especially suitable for integrative playspaces.

Buildings and combination elements

Huts	P. 1 - 30
Towers	P. 31 - 60
Platforms	P. 61 - 108
Triangular Platforms	P. 109 - 118
Slides	P. 119 - 138
Play houses	P. 139 - 158
Bridges and crossings	P. 159 - 164

Play value

Our Play Village is a combination of different platform huts and attachment elements. The roofed huts of the small village not only offer the opportunity to hide away but also encourage various role-playing games. Ladders attached to the huts and the connecting bridges invite the children to climb and balance, and the sand chute with bucket wheels can be used to transport sand upwards and have it trickle down again. The wide slide and a swing also provide for swift exercise possibilities.



© Richter Spielgeräte GmbH 06/22

Play Village

Fundamental characteristics

- Child-oriented dimensions according to ergonomic knowledge
- Several playing levels
- Natural wooden surface that appeals to the senses
- Incentive for playing: role-playing games in cosy little rooms
- Movement: climbing, balancing, swinging, sliding

Recommended for

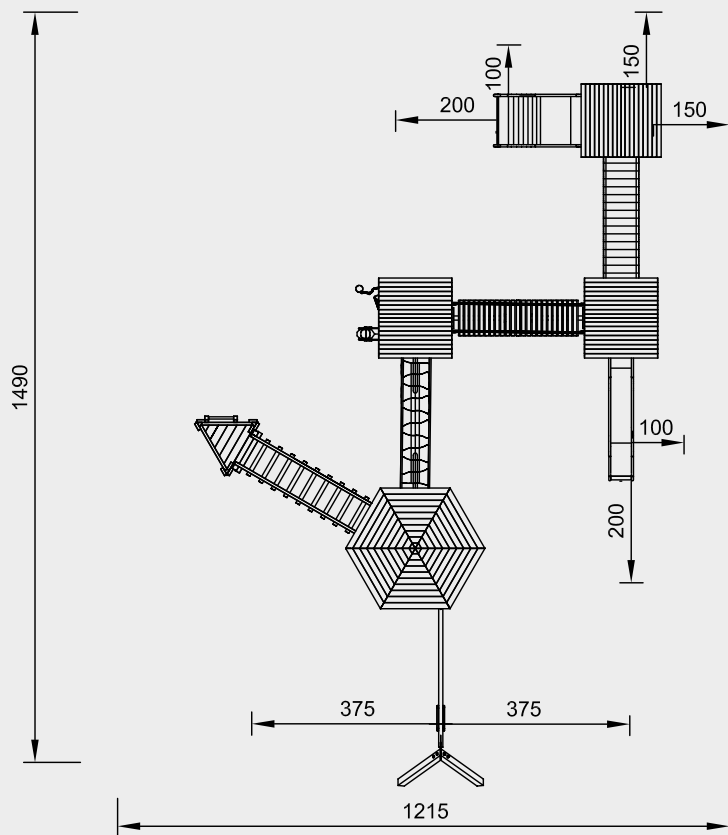
- Kindergarten children
- School children
- Supervised play areas, such as kindergartens, schools, after-school programmes or similar
- Public play areas without supervision, such as playgrounds, parks or similar
- Swimming pools without supervision, such as outdoor pools, adventure pools or similar.



2.15001

**Order No. 2.15001
Play Village**

Safety distance →
Device dimensions —●—
Functional distance —|—



Scale 1:150

Safety check according to DIN EN 1176

Installation information

Surfacing requirements corresponding to a fall height of ≤ 1.50 m (please refer to price list for more detailed information)

Foundations

- Platform Huts with roof**
4 items 50 x 50 x 40 cm each
Excavation depth 60 cm
- Triangular Hut**
3 items 40 x 40 x 40 cm
Excavation depth 60 cm

Small Platform Hut with roof

- 4 items 50 x 50 x 40 cm
- 1 item 40 x 40 x 40 cm
- Excavation depth 60 cm

Hexagonal Hut with roof

- 4 items 50 x 50 x 40 cm
- 1 item 50 x 150 x 40 cm
- Excavation depth 60 cm

Single Swing

- 2 items 60 x 70 x 40 cm
- Excavation depth 60 cm

Metal braces for Rope Bridge and Suspension Bridge

- 4 items 60 x 60 x 40 cm
- Excavation depth 60 cm

Slides

Excavation depth for ground anchor 55 cm

Attention:

Exact measurements may vary; for all installation dimensions refer to current assembly instructions.
Technical changes reserved.

**Best.-Nr. 2.15001
Play Village**



Components

Order No.

- 1 Triangular hut with steel feet **3.12300**
- 2 Support Frames for Chain Path for Platform Hut **3.66290**
- 1 Walkway for 3.00 m Chain Path **3.66263**
- 1 Hexagonal Hut with roof and steel feet **3.16350**
- 1 Single Swing special with steel feet **3.19802**
- 2 Support Frames for Rope Bridges for Huts **3.66645**
- 1 Rope Bridge 3.00 m **3.66550**
- 2 Platform Huts with roof and steel feet **3.13300**
- 1 Sand play equipment **3.19100**
- 2 Support Frames for Suspension Bridge **3.66055**
- 1 Running Boards for Suspension Bridge 3.00 m **3.66090**
- 1 Small Slide with Support Frame **3.19210**
- 2 Support Frames for Bridges for Huts **3.66360**
- 1 Bridge 3.00 m with Chain Handrail **3.66320**
- 1 Small Platform Hut with fittings, roof and steel feet **3.14350**
- 1 Small children slide for Platform Hut **3.19200**

Dimensions see sketches (small deviations possible)

Weight 1100 kg



2.15001



Order No. 3.12100 Small Triangular Hut

Play value

The Triangular Hut without combination equipment is a house for family role plays and other games on one or two levels. If the Hut is combined with a slide or other attractive play equipment, it represents a versatile "mini-playground" in limited space. The Triangular Hut is an unusual basic element which adds to the value of playgrounds.

Fundamental characteristics

- Child proportions according to ergonomic requirements
- One or two play levels
- Natural wooden surface which appeals to the senses
- Variable basic elements offering many opportunities for combination
- Incentive for playing: role games in small, cosy rooms
- Movement: climbing

Recommended for

- Kindergarten children
- Supervised play areas, such as kindergartens, schools, after-school programmes or similar
- Public play areas without supervision, such as playgrounds, parks or similar



Order No. 3.12300 Triangular Hut

Huts for combination

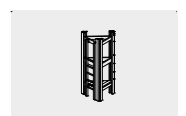
- Small Triangular Hut
- Triangular Hut



Order No. 3.12300 Triangular Hut


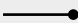
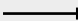


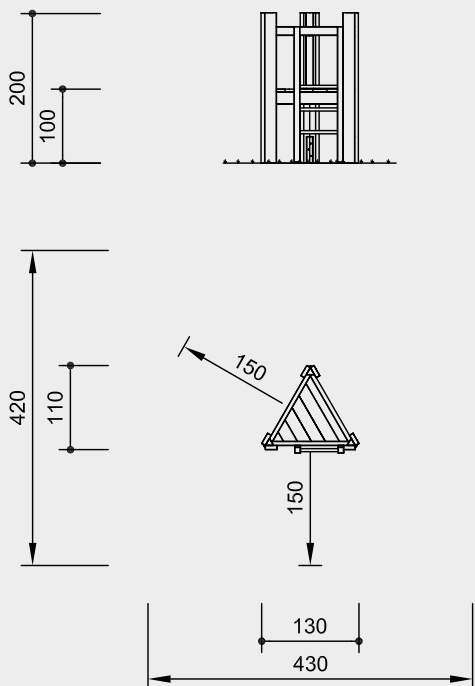
3.12100



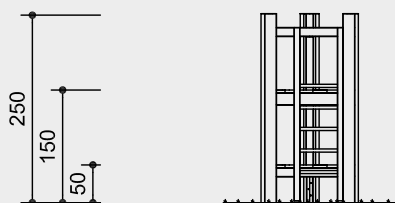
3.12300

Order No. 3.12100
Small Triangular Hut

Safety distance 
Device dimensions 
Functional distance 



Order No. 3.12300
Triangular Hut



Scale 1:100

Safety check according to DIN EN 1176

Components

Order No. 3.12100
Small Triangular Hut

- 3 side parts
- 1 ladder
- 1 floor
- 3 steel feet

Order No. 3.12300
Triangular Hut

As above, but with 2 floors

Installation information

Surfacing requirements corresponding to a fall height of
Order No. 3.12100 ≤ 1.00 m
Order No. 3.12300 ≤ 1.50 m
(please refer to price list for more detailed information)

Foundations
3 items 40 x 40 x 40 cm
Excavation depth 60 cm

Attention:
Exact measurements may vary;
for all installation dimensions refer
to current assembly instructions.
Technical changes reserved.

Technical information

Equipment made of non-impregnated mountain larch

Core-free

Sawn-timbers core-free, thus decreasing occurrences of cracking and undesired changes in shape



Tongue and groove

Tongue and groove planks made of 4 cm solid wood, highly resilient, no trickling of dust / sand, protection against direct rain



Hardwood rungs

Climbing rungs made of hardwood (ash) Ø 4.2 cm, milled and mortised, secured against twisting, easy to grip and not cold for children to touch



Adjustable

Adjustable two-piece bolt connection, easy to maintain, no projecting threads



Ground anchor

All parts used for anchoring to the ground are made of hot-dip galvanised steel or stainless steel



For more detailed explanation of the quality characteristics see price list.

Dimensions

(small deviations possible)

Order No. 3.12100
Small Triangular Hut

Height	2.00 m
Floor height	1.00 m
Side length	1.30 m
Weight	190 kg

Order No. 3.12300
Triangular Hut

Height	2.50 m
Floor heights	0.50 / 1.50 m
Side length	1.30 m
Weight	240 kg



3.12100



3.12300



Order No. 3.13100 Platform Hut



Order No. 3.13100 Platform Hut

Play value

Without any combination equipment, the Platform Huts are first and foremost a creative offer for family and other role-playing games that take place on one or two levels. Complemented by a roof, the Platform Hut offers two protected rooms in which children will feel sheltered. The roof is suitable for attaching a climbing rope. The Platform Hut may also be combined with a slide, a sand play centre or other attractive equipment in order to create a small but versatile "playground" in a small space.

Fundamental characteristics

- Child-oriented dimensions according to ergonomic knowledge
- One or two play levels
- Natural wooden surface which appeals to the senses
- Flexible base elements with numerous combination possibilities
- Incentive for playing: role-playing games in cosy little rooms
- Movement: climbing

Recommended for

- Kindergarten children
- Supervised play areas, such as kindergartens, schools, after-school programmes or similar
- Public play areas without supervision, such as playgrounds, parks or similar



Order No. 3.14350 Small Platform Hut with roof and 3.14150 Small Platform Hut with each 2 walls, 2 benches, 1 table



Order No. 3.14350 Small Platform Hut with roof

Huts for combination

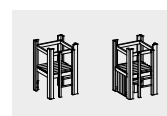
**Platform Hut
Platform Hut with roof**

**Small Platform Hut
Small Platform Hut with 2 walls,
2 benches, 1 table**

**Small Platform Hut with roof
Small Platform Hut with roof,
2 walls, 2 benches, 1 table**



3.13100 / 3.13300

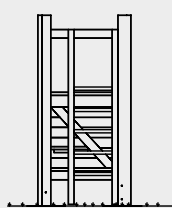
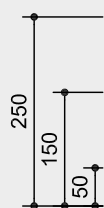


3.14100 / 3.14150

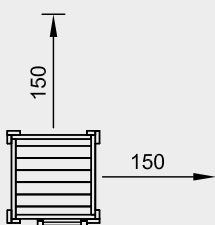
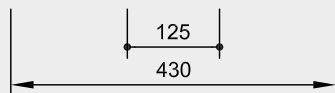
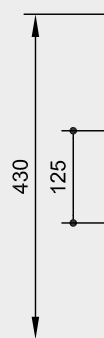
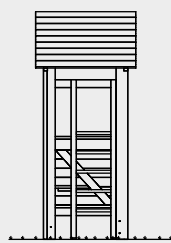
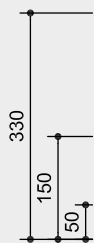


3.14300 / 3.14350

**Order No. 3.13100
Platform Hut**

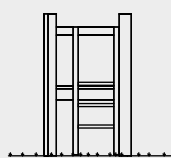
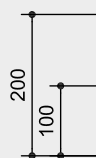


**Order No. 3.13300
Platform Hut with roof**

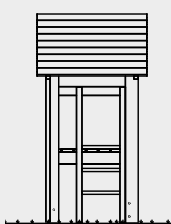
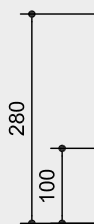


Safety distance →
Device dimensions —●—
Functional distance —|—

**Order No. 3.14100 / 3.14150
Small Platform Hut**



**Order No. 3.14300 / 3.14350
Small Platform Hut with roof**



Scale 1:100

Safety check according to DIN EN 1176

Components

**Order No. 3.13100
Platform Hut**

4 Side parts, 1 ladder, 2 floors
2 Walls, 1 bench, 4 steel feet

Order No. 3.13300

As above, but in addition with
2 roof sections

**Order No 3.14100
Small Platform Hut**

4 Side parts, 1 ladder, 1 floor
4 Steel feet

Order No. 3.14150

As above, but in addition with
2 walls, 2 benches and
1 table with steel foot

**Order No. 3.14300
Small Platform Hut with roof**

4 Side parts, 1 ladder, 1 floor
4 Steel feet, 2 roof sections

Order No. 3.14350

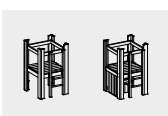
As above, but in addition with
2 walls, 2 benches and
1 table with steel foot

Attention:
Exact measurements may vary;
for all installation dimensions refer
to current assembly instructions.

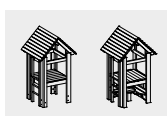
Technical changes reserved.



3.13100 / 3.13300



3.14100 / 3.14150



3.14300 / 3.14350

Technical information

Equipment made of non-impregnated mountain larch

Core-free

Sawn-timbers core-free, thus decreasing occurrences of cracking and undesired changes in shape



Claddings

Claddings made of mountain larch (4 – 5 cm). Peeled white by hand, natural tree surface remains tangible and perceptible



Tongue and groove

Tongue and groove planks made of 4 cm solid wood, highly resilient, no trickling of dust / sand, protection against direct rain



Hardwood rungs

Climbing rungs made of hardwood (ash) Ø 4.2 cm, milled and mortised, secured against twisting, easy to grip and not cold for children to touch



Adjustable

Adjustable two-piece bolt connection, easy to maintain, no projecting threads



Ground anchor

All parts used for anchoring to the ground are made of hot-dip galvanised steel or stainless steel



For more detailed explanation of the quality characteristics see price list.

Dimensions

(small deviations possible)

Order No. 3.13100 / 3.13300

Platform Hut

Height	2.50 m
with roof	3.30 m
Floor heights	0.50 / 1.50 m
Side length	1.25 m
Weight	300 / 390 kg

Order No. 3.14100 - 3.14350

Small Platform Hut

Height	2.00 m
with roof	2.80 m
Floor height	1.00 m
Side length	1.25 m
Weight	180 - 350 kg

Installation information

Surfacing requirements corresponding to a fall height of

Order No. 3.13100 / 3.13300 ≤ 1.50 m

Order No. 3.14100 - 3.14350 ≤ 1.00 m

(please refer to price list for more detailed information)

Foundations

Platform Huts

4 items 50 x 50 x 40 cm
Excavation depth 60 cm

Table

1 item 40 x 40 x 40 cm
Excavation depth 60 cm

Play value

Play combinations for children are then particularly attractive, if versatile roof and building shapes offer opportunities for discovery and diversity for the eyes. The nicely shaped Hexagonal Hut makes a good centre-piece for a play area. Our different play huts are basic elements which can be combined with many linking parts. On the ground floor, there are cosy rooms for role play. Linking elements, by themselves also play equipment, can start from the upper storey and lead to other constructions or to a hill. Interesting linking elements are, for instance, rope or suspension bridge or chain path.

Fundamental characteristics

- Child proportions according to ergonomic requirements
- One or two play levels
- Natural wooden surface which appeals to the senses
- Variable basic elements offering many opportunities for combination
- Incentive for playing: role-playing games in small, cosy rooms
- Movement: climbing

Recommended for

- Kindergarten children
- Supervised play areas, such as kindergartens, schools, after-school programmes or similar
- Public play areas without supervision, such as playgrounds, parks or similar



Order No. 3.16350 Hexagonal Hut with roof, 3 walls and 1 bench



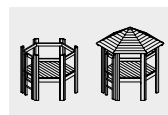
Order No. 3.15300 Small Hexagonal Hut with roof

Huts for combination

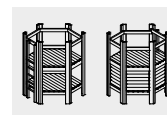
**Small Hexagonal Hut
Small Hexagonal Hut with roof**

**Hexagonal Hut
Hexagonal Hut with 3 walls and 1 bench**

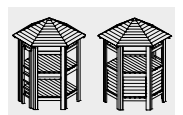
**Hexagonal Hut with roof
Hexagonal Hut with roof, 3 walls and 1 bench**



3.15100 / 3.15300

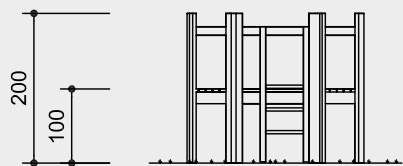


3.16100 / 3.16150

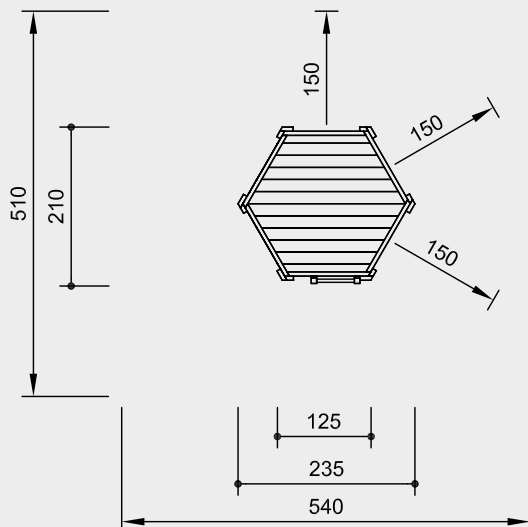
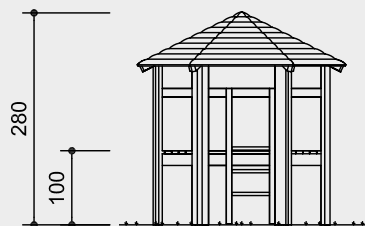


3.16300 / 3.16350

Order No. 3.15100
Small Hexagonal Hut



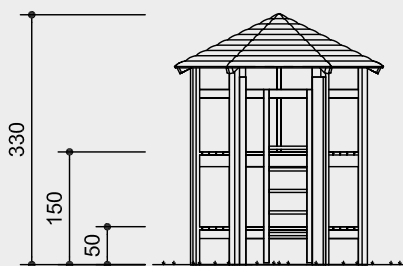
Order No. 3.15300
Small Hexagonal Hut with roof



Order No. 3.16100 / 3.16150
Hexagonal Hut



Order No. 3.16300 / 3.16350
Hexagonal Hut with roof



Scale 1:100

Safety check according to DIN EN 1176

Components

Order No. 3.15100
Small Hexagonal Hut

- 6 Side parts
- 1 Floor
- 1 Ladder
- 6 Steel feet

Order No. 3.15300 as above, but in addition with six-part roof

Order No. 3.16100
Hexagonal Hut

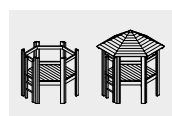
- 6 Side parts
- 2 Floors
- 1 Ladder
- 6 Steel feet

Order No. 3.16150 as above, but in addition with 3 walls and 1 bench

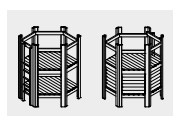
Order No. 3.16300
Hexagonal Hut with roof

- 6 Side parts
- 2 Floors
- 1 Ladder
- 6 Steel feet

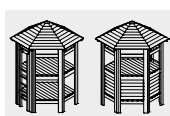
Order No. 3.16350 as above, but in addition with 3 walls and 1 bench



3.15100 / 3.15300



3.16100 / 3.16150



3.16300 / 3.16350

Technical information

Equipment made of non-impregnated mountain larch

Core-free

Sawn-timbers core-free, thus decreasing occurrences of cracking and undesired changes in shape



Claddings

Claddings made of mountain larch (4 – 5 cm). Peeled white by hand, natural tree surface remains tangible and perceptible



Tongue and groove

Tongue and groove planks made of 4 cm solid wood, highly resilient, no trickling of dust / sand, protection against direct rain



Hardwood rungs

Climbing rungs made of hardwood (ash) Ø 4.2 cm, milled and mortised, secured against twisting, easy to grip and not cold for children to touch



Adjustable

Adjustable two-piece bolt connection, easy to maintain, no projecting threads



Ground anchor

All parts used for anchoring to the ground are made of hot-dip galvanised steel or stainless steel



For more detailed explanation of the quality characteristics see price list.

Dimensions

(small deviations possible)

Order No. 3.15100 / 3.15300
Small Hexagonal Hut

Height	2.00 m
with roof	2.80 m
Floor height	1.00 m
Side length	1.25 m
Weight	400 / 580 kg

Order No. 3.16100 - 3.16350
Hexagonal Hut

Height	2.50 m
with roof	3.30 m
Floor heights	0.50 / 1.50 m
Side length	1.25 m
Weight	560 - 840 kg

Installation information

Surfacing requirements corresponding to a fall height of
Order No. 3.15100 / 3.15300 ≤ 1.00 m
Order No. 3.16100 - 3.16350 ≤ 1.50 m
 (please refer to price list for more detailed information)

Foundations
 6 items 50 x 50 x 40 cm
 Excavation depth 60 cm

Attention:
Exact measurements may vary;
for all installation dimensions refer to current assembly instructions.
 Technical changes reserved.

Play value

The construction principle is like two Hexagonal Huts put on top of each other. By its light and harmonious design and the pleasantly warm wood, the Hut becomes the centre piece of a small play area. Four storeys inside invite for climbing and hiding. Right on the top floor under the roof there is a cosy little room for chatting. All levels can be reached by ladders and ways through. Interesting attachment parts such as a suspension bridge, which links the hut with a hill, or a slide as way down, offer versatile play possibilities with a strong expression.



Attachment elements not included in the scope of components

Big Hexagonal Hut with roof

Interesting attachments, such as a suspension bridge that connects the hut to a hill or a slide as an exit, turn the hut into a concentrated play point with strong charisma.

Fundamental characteristics

- Light and harmonious appearance
- Four different levels which can be reached by ladders and ways through
- Incentive for playing: friendly appearance, gaining height, role-playing games
- Movement: climbing


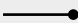
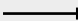
Recommended for

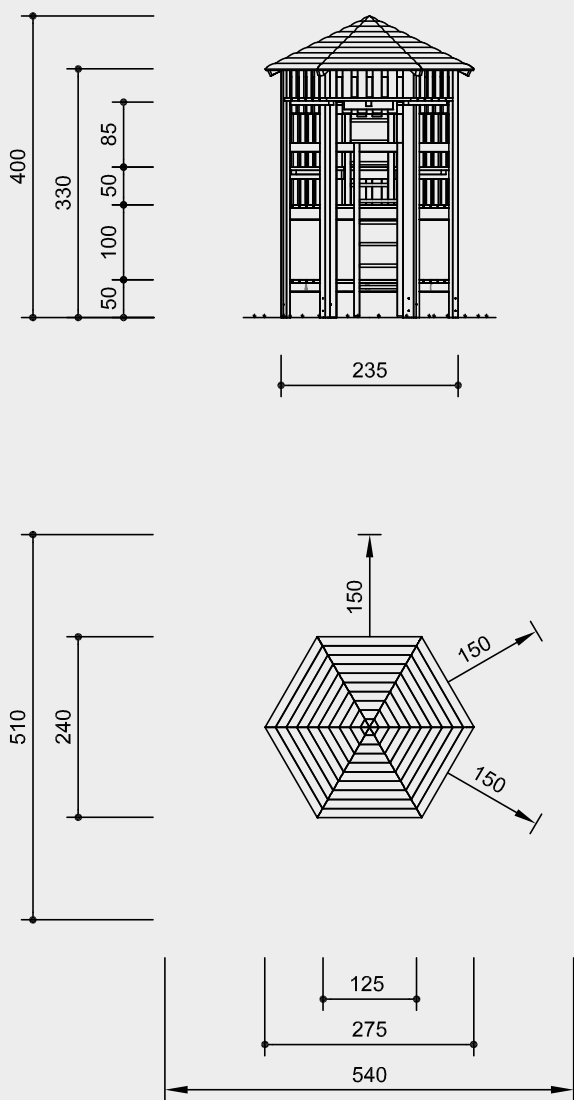
- Kindergarten children
- School children
- Supervised play areas, such as kindergartens, schools, after school programmes or similar
- Public play areas without supervision, such as playgrounds, parks or similar



3.17000 / 3.17050

Order No. 3.17000 / 3.17050
Big Hexagonal Hut with roof

Safety distance 
 Device dimensions 
 Functional distance 



Scale 1:100

Safety check according to DIN EN 1176

Components

- 6 Side parts (partly with walls)
- 2 Whole floors
- 2 Half floors
- 1 Ladder outside
- 1 Continuing ladder inside
- 1 Roof
- 6 Steel feet

Installation information

Surfacing requirements corresponding to a fall height of ≤ 2.00 m (please refer to price list for more detailed information)

Foundations
 6 items 80 x 80 x 50 cm
 Excavation depth 70 cm

Attention:
Exact measurements may vary;
for all installation dimensions refer to current assembly instructions.
 Technical changes reserved.

Technical information

Equipment made of non-impregnated mountain larch

Core-free
 Sawn-timbers core-free, thus decreasing occurrences of cracking and undesired changes in shape



Claddings
 Claddings made of mountain larch (4 – 5 cm). Peeled white by hand, natural tree surface remains tangible and perceptible



Tongue and groove
 Tongue and groove planks made of 4 cm solid wood, highly resilient, no trickling of dust / sand, protection against direct rain



Hardwood rungs
 Climbing rungs made of hardwood (ash) $\varnothing 4.2$ cm, milled and mortised, secured against twisting, easy to grip and not cold for children to touch



Adjustable
 Adjustable two-piece bolt connection, easy to maintain, no projecting threads



Ground anchor
 All parts used for anchoring to the ground are made of hot-dip galvanised steel or stainless steel



For more detailed explanation of the quality characteristics see price list.

Order No. 3.17050

As above, but with front of claddings instead of smooth edge boards

Dimensions

(small deviations possible)

Height	3.30 m
with roof	4.00 m
Floor heights	
whole floors	0.50 / 1.50 m
half floors	2.00 / 2.85 m
Side length	1.25 m
Weight	1060 kg
Roof	180 kg



3.17000 / 3.17050

Play value

This design of the large Shelter with integrated seating circle accentuates an approach for young people. The tyre circle can be gently swung as a group or by individuals. The circular configuration allows each person to see all others. The four half-walls provide sufficient screening and create a sheltered area. Despite this, the room still appears open. A shelter is a „must“ to be included in every playground.



Order Nr. 7.82300 Meeting House with Seating Circle



Order No. 7.82000 Shelter

Fundamental characteristics

- Carpenter roof construction

Recommended for

- Kindergarten children
- School children
- Young people
- Supervised play areas, such as kindergartens, schools, after-school programmes or similar
- Public play areas without supervision, such as playgrounds, parks or similar

Shelter Meeting House with Seating Circle



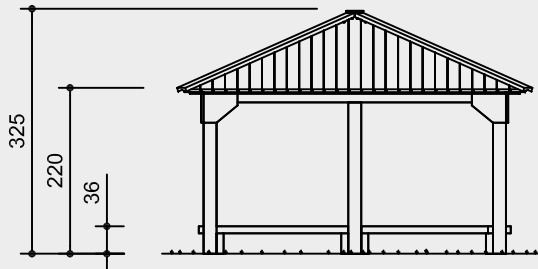
7.82000



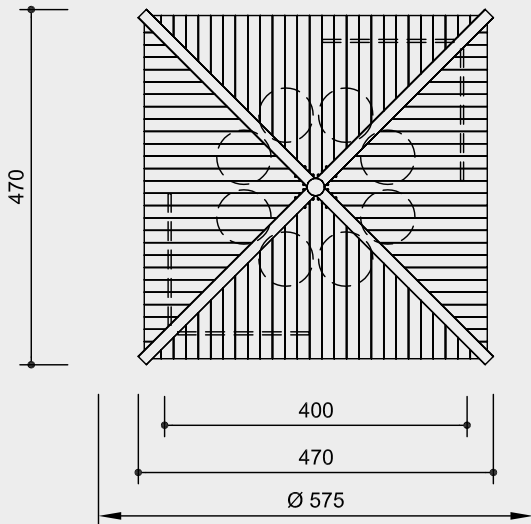
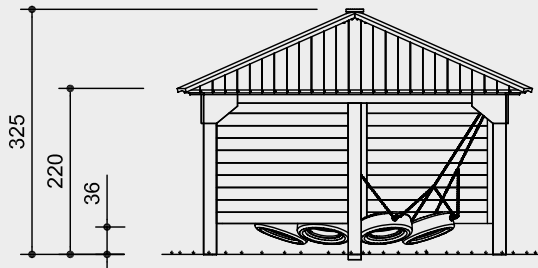
7.82300

**Order No. 7.82000
Shelter**

Safety distance →
Device dimensions ●
Functional distance —



**Order No. 7.82300
Meeting House with Seating Circle**



Scale 1:100

Safety check according to DIN EN 1176

Components

**Order No. 7.82000
Shelter**

- 1 Roof of 4 segments
- 8 Support posts with steel feet
- 4 Integrated benches

**Order No. 7.82300
Meeting House with Seating Circle**

- 1 Roof of 4 segments
- 8 Support posts with steel feet
- 4 Wall segments
- 1 Seating circle of 8 tyres complete with all suspension attachments

Installation information

Surfacing requirements

**Order No. 7.82000
Shelter**

no requirements

Order No. 7.82300

Meeting House with Seating Circle
corresponding to a fall height of ≤ 1.00 m

Foundations

8 items 50 x 50 x 40 cm
Excavation depth 60 cm

Need to be made before installation with a gap

**Attention:
Exact measurements may vary;
for all installation dimensions refer
to current assembly instructions.**

Technical changes reserved.

Technical information

Equipment made of non-impregnated mountain larch

Core-free

Sawn-timbers core-free, thus decreasing occurrences of cracking and undesired changes in shape



Tongue and groove

Tongue and groove planks made of 4 cm solid wood, highly resilient, no trickling of dust / sand, protection against direct rain



Plywood

Plywood made of mountain larch, three-layer (3 cm) or five-layer (4 cm). High dimensional stability, waterproof, glued according to DIN EN 13353:2011



Interlocking

Interlocking connection, with milled metal rings or serrated disc dowels, to reinforce the bolt connection under high loads transverse to the grain direction of the wood



Ground anchor

All parts used for anchoring to the ground are made of hot-dip galvanised steel or stainless steel



**Order No. 7.82300
Meeting House with Seating Circle**
As above, but in addition with

Sintered bush

For all reciprocating movements we use sintered plain bearings which are self-lubricating in use and can easily be exchanged if necessary



Chains

Chains made of hot-dip galvanized steel (1.4301 / 1.4571 at extra charge) welded before galvanising, short-linked, without eyelets on the connecting parts, easy to exchange and shorten



For more detailed explanation of the quality characteristics see price list.

Suspended on sturdy hot-dip galvanised joints

Dimensions

(small deviations possible)

**Order No. 7.82000
Shelter**

Surface	4.00 x 4.00 m
Eaves height	2.20 m
Roof height	3.25 m
Weight	2500 kg

**Order No. 7.82300
Meeting House with Seating Circle**

Surface	4.00 x 4.00 m
Eaves height	2.20 m
Roof height	3.25 m
Weight	3000 kg



7.82000



7.82300



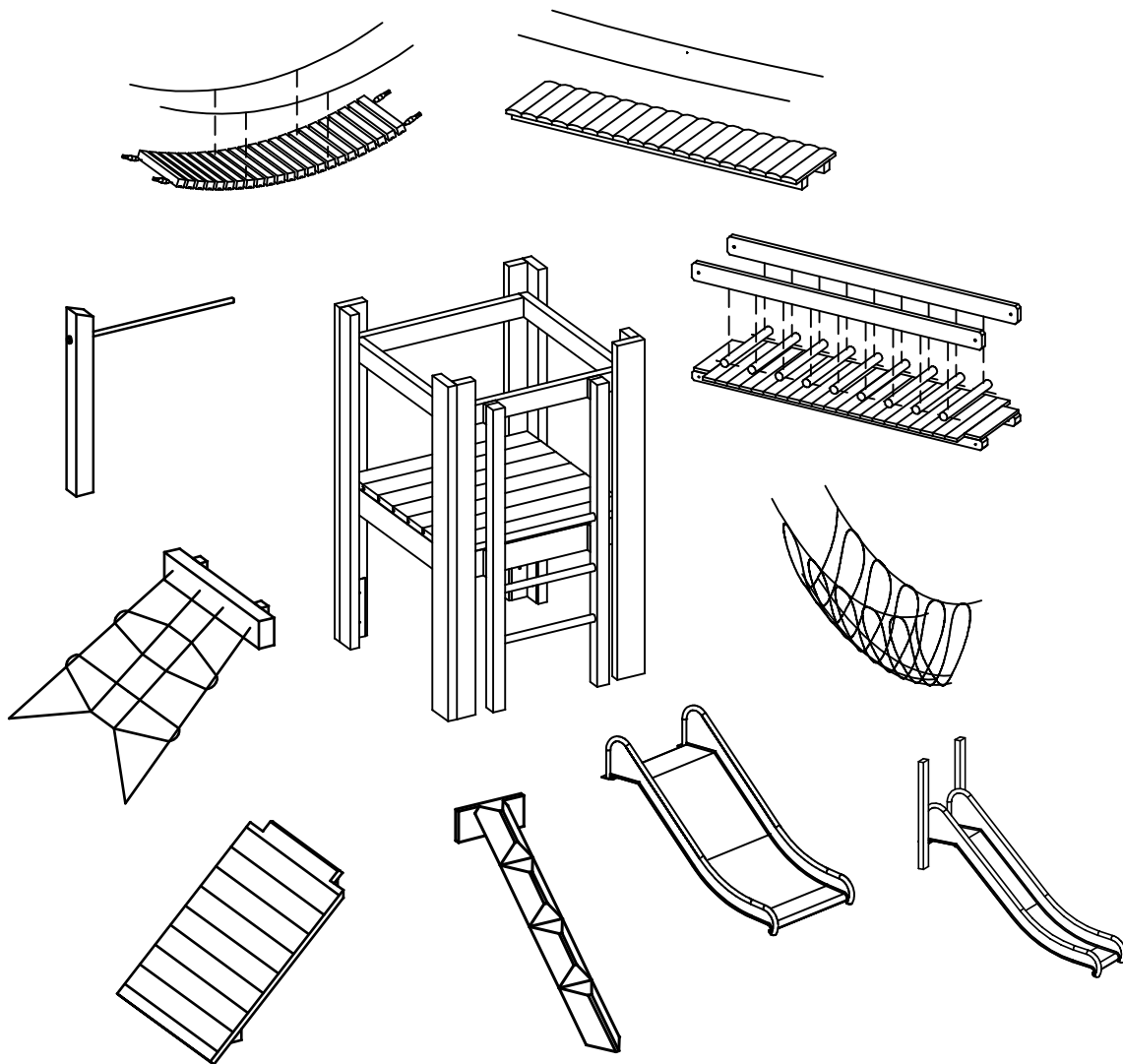
**Standard elements for combination
with huts**

**Standard elements for combination
with huts 1.00 m**

Order No. 3.12100 Triangular Hut

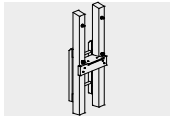
Order No. 3.14100ff. Square Huts

Order No. 3.15100ff. Hexagonal Huts



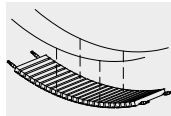
Standard elements for combination with hut 1.00 m

SUSPENSION BRIDGE ELEMENTS



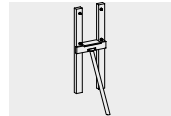
P. 21

Order No. 3.66033
End Frame with Ladder



P. 21

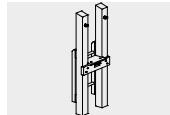
Order No. 3.66090ff.
Running Boards with chain handrails (3, 4, 5 m)



P. 23

Order No. 3.66057
Support Frame for Suspension Bridge

ROPE BRIDGE ELEMENTS



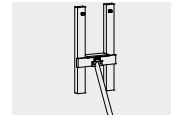
P. 22

Order No. 3.66523
End Frame with Ladder



P. 22

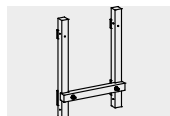
Order No. 3.66530ff.
Rope Bridge (2, 3, 4, 5 m)



P. 23

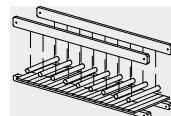
Order No. 3.66647
Support Frame for Rope Bridge

CHAIN PATH ELEMENTS



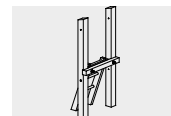
P. 24

Order No. 3.66290
Support Frame for Chain Path



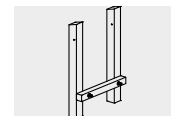
P. 25

Order No. 3.66260ff.
Walkway with / without safety board for Chain (3, 4 m)



P. 25

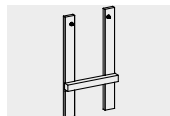
Order No. 3.66224
End Frame with Ladder



P. 25

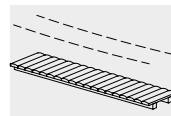
Order No. 3.66231
End Frame for Inclined Chain Path without safety board

BRIDGE ELEMENTS



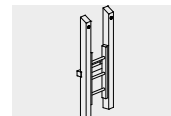
P. 24

Order No. 3.66367
Support Frame for Bridge



P. 26

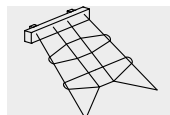
Order No. 3.66300ff.
Bridge without / with handrails (2, 3, 4, 5 m)



P. 26

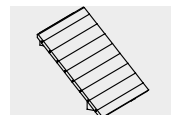
Order No. 3.66382
End Frame for ramp with Ladder

MISCELLANEOUS ELEMENTS



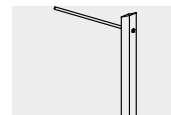
P. 20

Order No. 3.69124
Inclined Climbing Net



P. 27

Order No. 3.67536
Inclined Wall



P. 28

Order No. L3.69700
Horizontal Bar



P. 29

Order No. 3.69506
Climbing Trunk



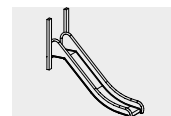
P. 30

Order No. 3.69433
Climbing Rope for Hut with Roof



P. 119

Order No. 3.19200
Stainless steel slide

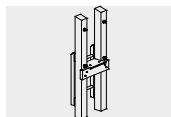


P. 119ff.

Order No. 3.19220
Stainless steel slide

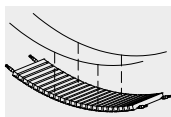
Standard elements for combination with hut 1.50 m

SUSPENSION BRIDGE ELEMENTS



P. 21

Order No. 3.66033
End Frame with Ladder



P. 21

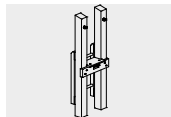
Order No. 3.66090ff.
Running Boards with chain handrails (3, 4, 5 m)



P. 23

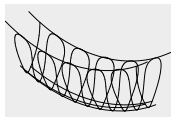
Order No. 3.66055
Support Frame for Suspension Bridge

ROPE BRIDGE ELEMENTS



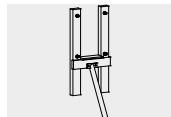
P. 22

Order No. 3.66523
End Frame with Ladder



P. 22

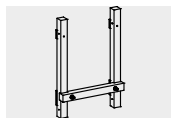
Order No. 3.66530ff.
Rope Bridge (2, 3, 4, 5 m)



P. 23

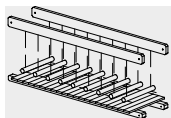
Order No. 3.66645
Support Frame for Rope Bridge

CHAIN PATH ELEMENTS



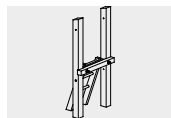
P. 24

Order No. 3.66290
Support Frame for Chain Path



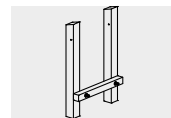
P. 25

Order No. 3.66260ff.
Walkway with / without safety board for Chain (3, 4 m)



P. 25

Order No. 3.66224
End Frame with Ladder



P. 25

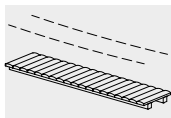
Order No. 3.66231
End Frame for Inclined Chain Path without safety board

BRIDGE ELEMENTS



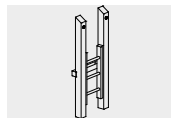
P. 24

Order No. 3.66360
Support Frame for Bridge



P. 26

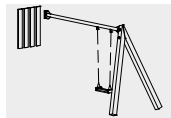
Order No. 3.66300ff.
Bridge without / with handrails (2, 3, 4, 5 m)



P. 26

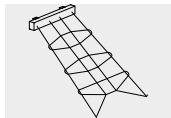
Order No. 3.66382
End Frame for ramp with Ladder

MISCELLANEOUS ELEMENTS



P. 19

Order No. 3.19802
Single Swing special long



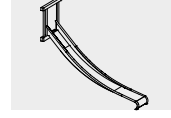
P. 20

Order No. 3.69120
Inclined Climbing Net



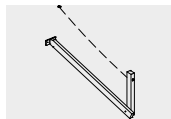
P. 20

Order No. 3.69355
Vertical Climbing Net



P. 119

Order No. 3.19210
Stainless steel slide



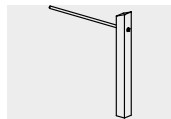
P. 28

Order No. 3.68306
Inclined Balancing Beam



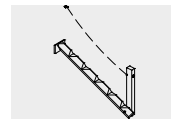
P. 28

Order No. 3.69480
Firemen's pole



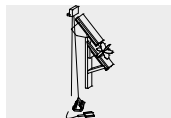
P. 28

Order No. L3.69700
Horizontal Bar



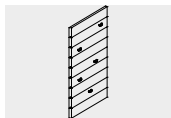
P. 29

Order No. 3.69516
Climbing Trunk with handrail



P. 30

Order No. 3.19100
Sand Play Equipment



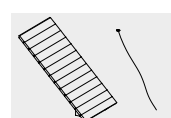
P. 30

Order No. 3.67503
Climbing Wall



P. 30




Order No. 3.69430
Climbing Rope for Hut with Roof

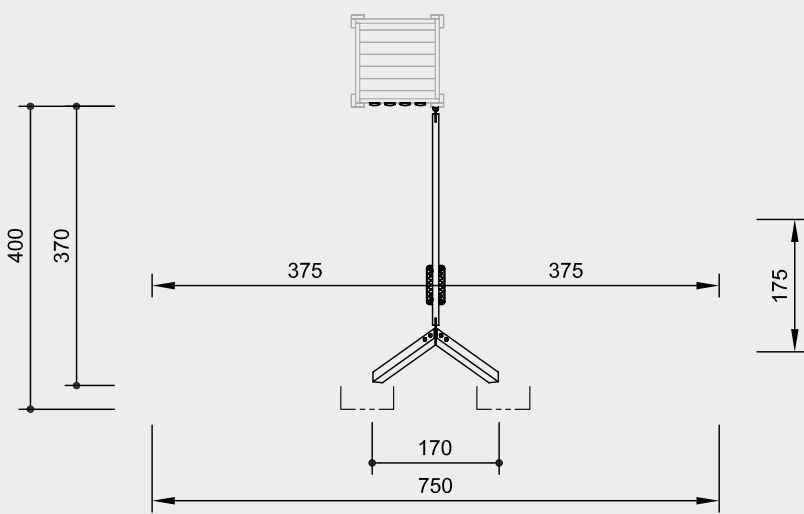
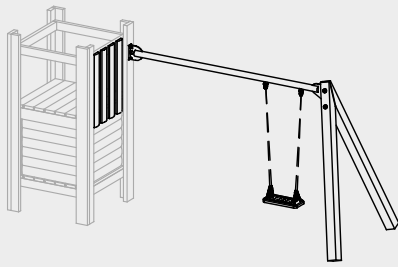


P. 27

Order No. 3.67531
Inclined Wall
Order No. 3.69470
Holding Rope for Inclined Wall

Order No. 3.19802 Single Swing special long
for attachment to Huts 1.50 m

Safety distance 
Device dimensions 
Functional distance 



Scale 1:100

Safety check according to DIN EN 1176

Components

- 1 Swing frame with steel feet
- 1 Cross beam made of steel
- 1 Swing seat with chains
- 1 Guarding section (pre-installed to hut)

Installation information

Surfacing requirements corresponding to a fall height of ≤ 1.50 m (please refer to price list for more detailed information)

Foundations
2 items 60 x 70 x 40 cm
Excavation depth 60 cm

Attention:
Exact measurements may vary; for all installation dimensions refer to current assembly instructions.
Technical changes reserved.

Technical information

Equipment made of non-impregnated mountain larch

Core-free

Sawn-timbers core-free, thus decreasing occurrences of cracking and undesired changes in shape



Claddings

Claddings made of mountain larch (4 – 5 cm). Peeled white by hand, natural tree surface remains tangible and perceptible



Swing seat

Ergonomically shaped swing seat made of rubber with soft shock absorbing edge. Durable due to strong profiled steel insert



Swing joint

Drop-forged, hot-dip galvanised swing joint with sintered bush and integrated swivel



Interlocking

Interlocking connection, with milled metal rings or serrated disc dowels, to reinforce the bolt connection under high loads transverse to the grain direction of the wood



Sintered bush

For all reciprocating movements we use sintered plain bearings which are self-lubricating in use and can easily be exchanged if necessary



Ground anchor

All parts used for anchoring to the ground are made of hot-dip galvanised steel or stainless steel



Cross beam made of steel

Swing cross beam made of hot-dip galvanized steel. Optimized swing geometry with rigid corner connections, thus allowing for smaller foundations and easier foundation covering



Chains

Chains made of hot-dip galvanized steel (1.4301 / 1.4571 at extra charge) welded before galvanising, short-linked, without eyelets on the connecting parts, easy to exchange and shorten

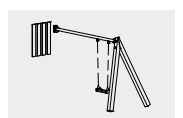


For more detailed explanation of the quality characteristics see price list.

Dimensions




(small deviations possible)

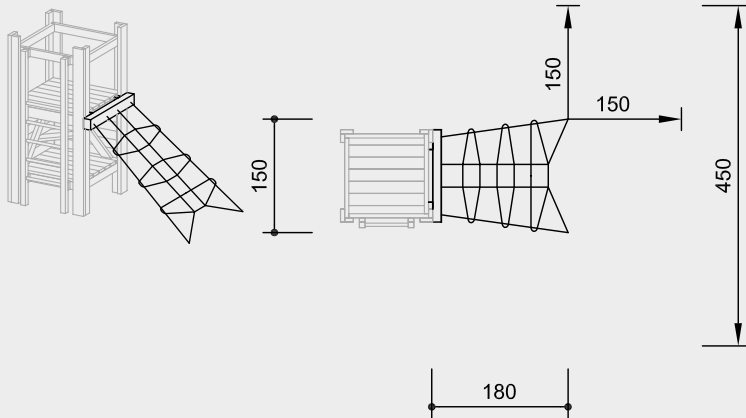
Height	2.20 m
Vertical clearance	2.05 m
Length	3.70 m
Width	1.70 m
Weight	135 kg



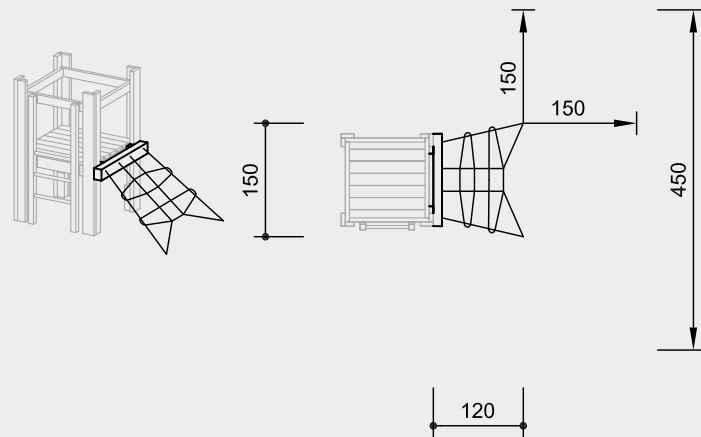
3.19802

Order No. 3.69120
Inclined Climbing Net
 for attachment to Huts 1.50 m

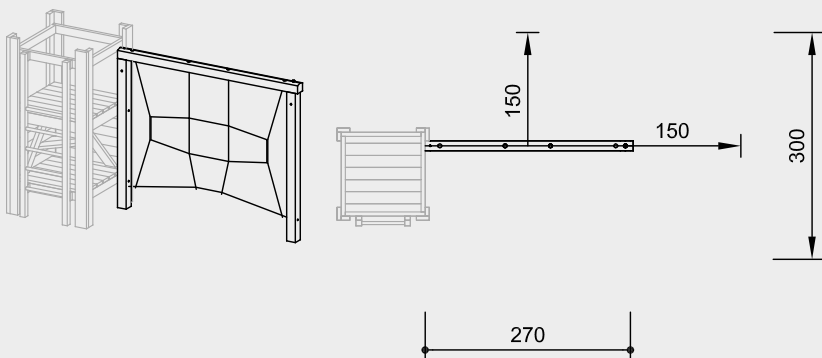
Safety distance 
 Device dimensions 
 Functional distance 



Order No. 3.69124
Inclined Climbing Net
 for attachment to Huts 1.00 m



Order No. 3.69355
Vertical Climbing Net
 for attachment to Huts 1.50 m



Scale 1:100

Safety check according to DIN EN 1176

Attention:
 Exact measurements may vary;
 for all installation dimensions refer
 to current assembly instructions.
 Technical changes reserved.



3.69120



3.69124



3.69355

Technical information

All woods made of mountain larch

Core-free

Sawn-timbers core-free, thus decreasing occurrences of cracking and undesired changes in shape



Richter Hercules type rope

Richter Hercules type rope, a combination of galvanised six-strand steel cables and polyester yarn, diameter > 20 mm, laid and glued with very good abrasion resistance, strong sheathing even in the case of damage by puncturing



Aluminium rope pressing

Aluminium rope pressing, cylindrically pressed, with rounded ends



S-connectors

S-connectors Ø 8.1 mm, made of high-quality stainless steel, rounded



Rope connection fixed

Fixed rope connection without dangerous openings. Screw connection adjustable and countersunk in the wood



Ground anchor

All parts used for anchoring to the ground are made of hot-dip galvanised steel or stainless steel



For more detailed explanation of the quality characteristics see price list.

Dimensions

(small deviations possible)

Order No. 3.69120
Inclined Climbing Net

Net 1.00 x 2.20 m
 Weight 50 kg

Order No. 3.69124
Inclined Climbing Net

Net 1.00 x 1.40 m
 Weight 40 kg

Order No. 3.69355
Vertical Climbing Net

Height 2.20 m
 Width 2.70 m
 Weight 70 kg

Components

Order No. 3.69120 / 3.69124

1 Inclined net with cross beam, anchoring to the ground with chains and tensioning levers

Order No. 3.69355

1 Net with cross beam
 2 Stand post, 1 with steel feet
 1 Bracing button

Installation information

Surfacing requirements corresponding to a fall height of
Order No. 3.69120 / 3.69355 ≤ 1.50 m
Order No. 3.69124 ≤ 1.00 m
 (please refer to price list for more detailed information)

Foundations

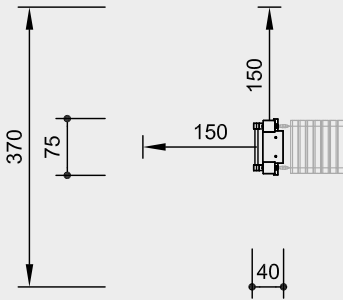
Order No. 3.69120 / 3.69124

2 items 50 x 50 x 40 cm
 Excavation depth 80 cm

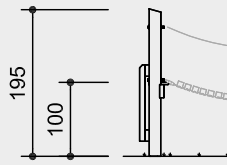
Order No. 3.69355

1 item 60 x 60 x 60 cm
 Excavation depth 80 cm

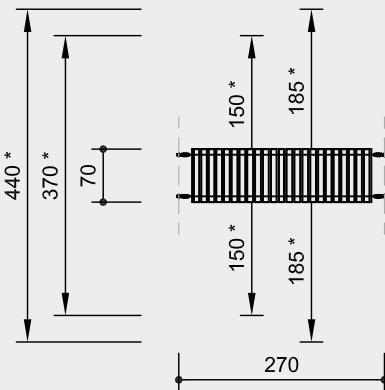
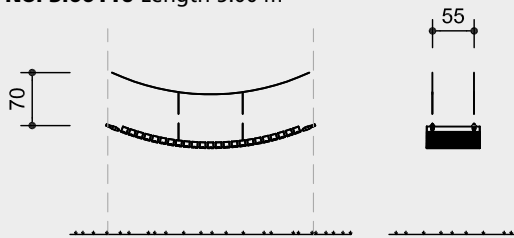
Order No. 3.66033
End Frame with Ladder



Safety distance →
 Device dimensions —●—
 Functional distance —|—



Order No. 3.66090 - 3.66110
Running Boards for Suspension Bridges with chain handrails
Order No. 3.66090 Length 3.00 m
Order No. 3.66100 Length 4.00 m
Order No. 3.66110 Length 5.00 m



* Depending on the height of installation, the safety distances will increase from a minimum of 1.50 m up to 1.85 m.

Scale 1:100

Safety check according to DIN EN 1176

Components

Order No. 3.66033
 1 End frame with steel feet and ladder made of square timber for huts

Order No. 3.66090 - 3.66110
 1 Walkway with chain handrails and distance battens

Dimensions
 (small deviations possible)

Order No. 3.66033
 Weight 100 kg
Order No. 3.66090 / 3.66100 / 3.66110
 Walkway length 3.00 / 4.00 / 5.00 m
 Walkway width 0.70 m
 Running boards 75 x 75 mm
 Weight 50 / 65 / 80 kg

Installation information

Surfacing requirements depends on the installation conditions (please refer to price list for more detailed information)

Foundations
Order No. 3.66033
End Frame with Ladder
 1 item 120 x 125 x 60 cm
 Excavation depth 80 cm

Attention:
Exact measurements may vary; for all installation dimensions refer to current assembly instructions.
 Technical changes reserved.

For more detailed explanation of the quality characteristics see price list.

Technical information

Order No. 3.66033
 Equipment made of mountain larch

Bevel cut
 Vertical stand posts with bevelled end grain section as constructive wood preservation measure



Core-free
 Sawn-timbers core-free, thus decreasing occurrences of cracking and undesired changes in shape



Hardwood rungs
 Climbing rungs made of hardwood (ash) Ø 4.2 cm, milled and mortised, secured against twisting, easy to grip and not cold for children to touch



Plywood
 Plywood made of mountain larch, three-layer (3 cm) or five-layer (4 cm). High dimensional stability, waterproof, glued according to DIN EN 13353:2011



Profiled washer
 Profiled washer for covering protruding screw heads according to standard, improved pressure distribution and protection against water. Impedes loosening the bolt



Adjustable
 Adjustable two-piece bolt connection, easy to maintain, no projecting threads



Ground anchor
 All parts used for anchoring to the ground are made of hot-dip galvanised steel or stainless steel



Order No. 3.66090 - 3.66110
 Running boards made of mountain larch

Core-free
 Sawn-timbers core-free, thus decreasing occurrences of cracking and undesired changes in shape



Rope connection with joint
 Close-fitting connection with joint, without dangerous openings, with sintered bush and adjustable screw connection



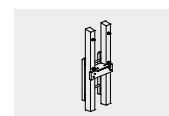
Sintered bush
 For all reciprocating movements we use sintered plain bearings which are self-lubricating in use and can easily be exchanged if necessary



Stainless Chains
 Chains made of steel with high corrosion resistance. Short-linked, without eyelets on the connecting parts, easily replaceable and simple shortening



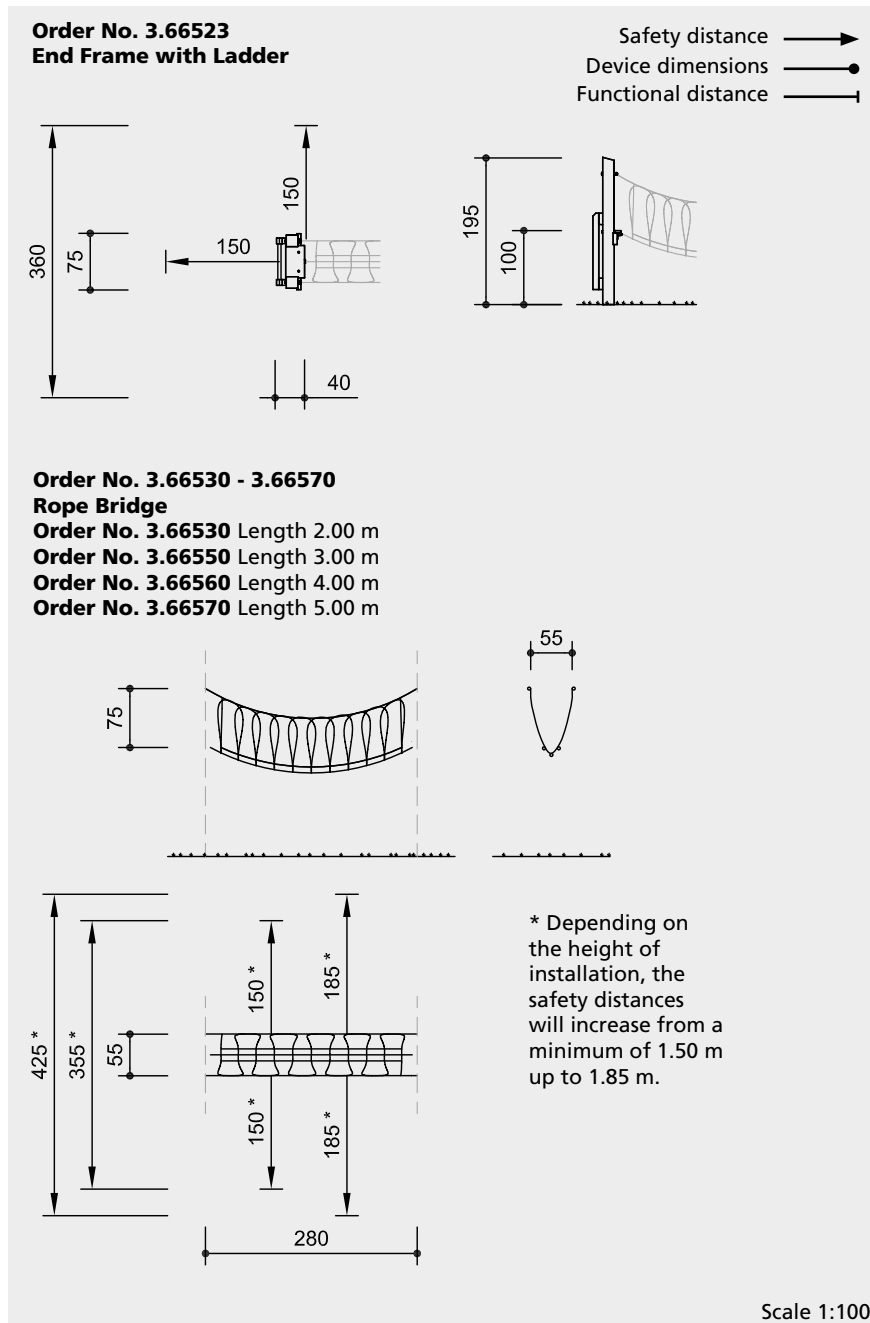
Carrying rope Ø 18 mm of Hercules type with steel core, suspended on drop-forged joints



3.66033



3.66090 - 3.66110



Safety check according to DIN EN 1176

Components

Order No. 3.66523

1 End frame with steel feet and ladder made of square timber for huts

Order No. 3.66530 - 3.66570

1 Rope bridge with distance battens

Dimensions

(small deviations possible)

Order No. 3.66523

Weight 100 kg

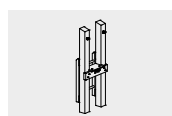
Order No.

3.66530 / 3.66550 / 3.66560 / 3.66570

Walkway length 2.00 / 3.00 / 4.00 / 5.00 m

Walkway width 0.55 m

Weight 27 / 40 / 53 / 66 kg



3.66523



3.66530 - 3.66570

Installation information

Surfacing requirements corresponding to a fall height of depends on the installation conditions (please refer to price list for more detailed information)

Foundations

Order No. 3.66523

End Frame with Ladder

1 item 120 x 125 x 60 cm

Excavation depth 80 cm

Attention:

Exact measurements may vary; for all installation dimensions refer to current assembly instructions.

Technical changes reserved.

Technical information

Order No. 3.66523

Equipment made of mountain larch

Bevel cut

Vertical stand posts with bevelled end grain section as constructive wood preservation measure



Core-free

Sawn-timbers core-free, thus decreasing occurrences of cracking and undesired changes in shape



Hardwood rungs

Climbing rungs made of hardwood (ash) Ø 4.2 cm, milled and mortised, secured against twisting, easy to grip and not cold for children to touch



Plywood

Plywood made of mountain larch, three-layer (3 cm) or five-layer (4 cm). High dimensional stability, waterproof, glued according to DIN EN 13353:2011



Profiled washer

Profiled washer for covering protruding screw heads according to standard, improved pressure distribution and protection against water. Impedes loosening the bolt



Adjustable

Adjustable two-piece bolt connection, easy to maintain, no projecting threads



Ground anchor

All parts used for anchoring to the ground are made of hot-dip galvanised steel or stainless steel



Order No. 3.66530 - 3.66570

Richter Hercules type rope

Richter Hercules type rope, a combination of galvanised six-strand steel cables and polyester yarn, diameter > 20 mm, laid and glued with very good abrasion resistance, strong sheathing even in the case of damage by puncturing



Aluminium rope pressing

Aluminium rope pressing, cylindrically pressed, with rounded ends



S-connectors

S-connectors Ø 8.1 mm, made of high-quality stainless steel, rounded



Rope connection with joint

Close-fitting connection with joint, without dangerous openings, with sintered bush and adjustable screw connection






Sintered bush

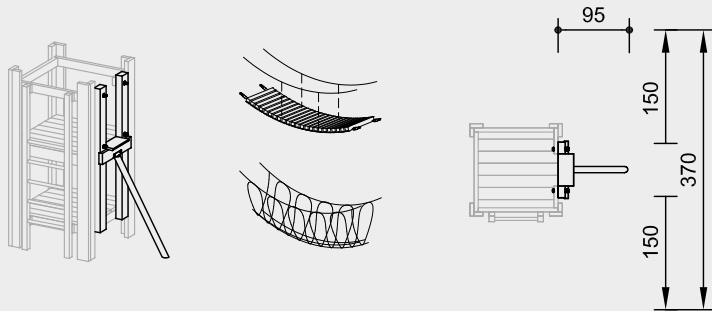
For all reciprocating movements we use sintered plain bearings which are self-lubricating in use and can easily be exchanged if necessary



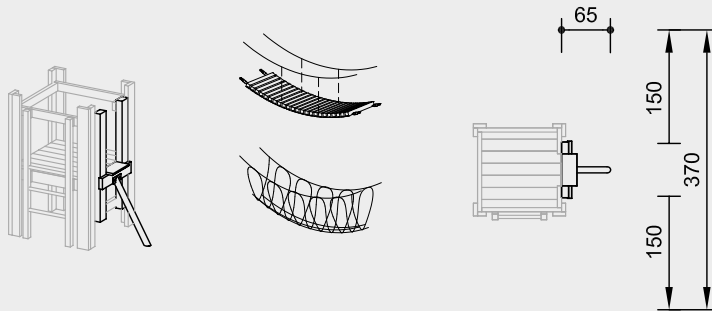
For more detailed explanation of the quality characteristics see price list.

Order No. 3.66055
Support Frame for Suspension Bridge
Order No. 3.66645
Support Frame for Rope Bridge
 Installation height 1.50 m

Safety distance 
 Device dimensions 
 Functional distance 



Order No. 3.66057
Support Frame for Suspension Bridge
Order No. 3.66647
Support Frame for Rope Bridge
 Installation height 1.00 m



Scale 1:100

Safety check according to DIN EN 1176

Components

1 Frame each

Installation information

Surfacing requirements corresponding to a fall height determined by installation height (please refer to price list for more detailed information)

Foundations
 1 item 60 x 60 x 40 cm
 Excavation depth 60 cm

Attention:
Exact measurements may vary;
for all installation dimensions refer to current assembly instructions.
 Technical changes reserved.

Technical information

All Support Frames made of non-impregnated mountain larch

Core-free

Sawn-timbers core-free, thus decreasing occurrences of cracking and undesired changes in shape



Profiled washer

Profiled washer for covering protruding screw heads according to standard, improved pressure distribution and protection against water. Impedes loosening the bolt



Ground anchor

All parts used for anchoring to the ground are made of hot-dip galvanised steel or stainless steel



For more detailed explanation of the quality characteristics see price list.

Metal braces hot-dip galvanised, Ø 83 mm

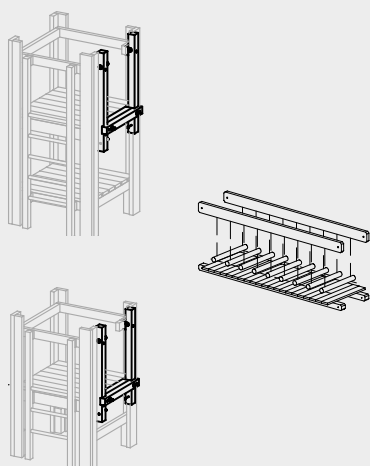


3.66055 / 3.66645

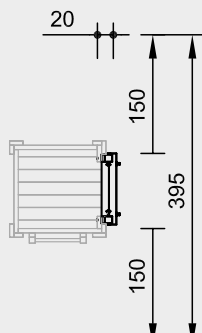


3.66057 / 3.66647

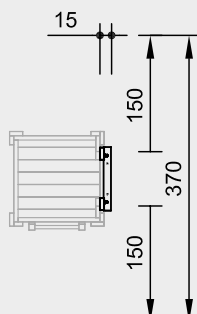
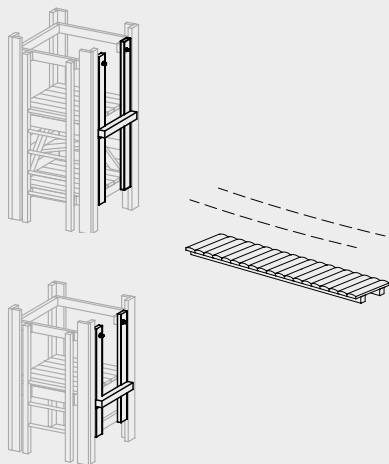
Order No. 3.66290
Support Frame for Chain Path
 Installation height 1.50 / 1.00 m



Safety distance →
 Device dimensions —●—
 Functional distance —|—



Order No. 3.66360 / 3.66367
Support Frame for Bridge
 Installation height 1.50 / 1.00 m



Scale 1:100

Safety check according to DIN EN 1176

Technical information

All Support Frames made of non-impregnated mountain larch

Core-free

Sawn-timbers core-free, thus decreasing occurrences of cracking and undesired changes in shape



For more detailed explanation of the quality characteristics see price list.

Components

1 Frame each

Installation information

Surfacing requirements corresponding to a fall height determined by installation height (please refer to price list for more detailed information)

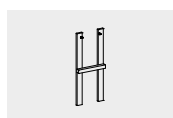
Attention:

Exact measurements may vary; for all installation dimensions refer to current assembly instructions.

Technical changes reserved.



3.66290

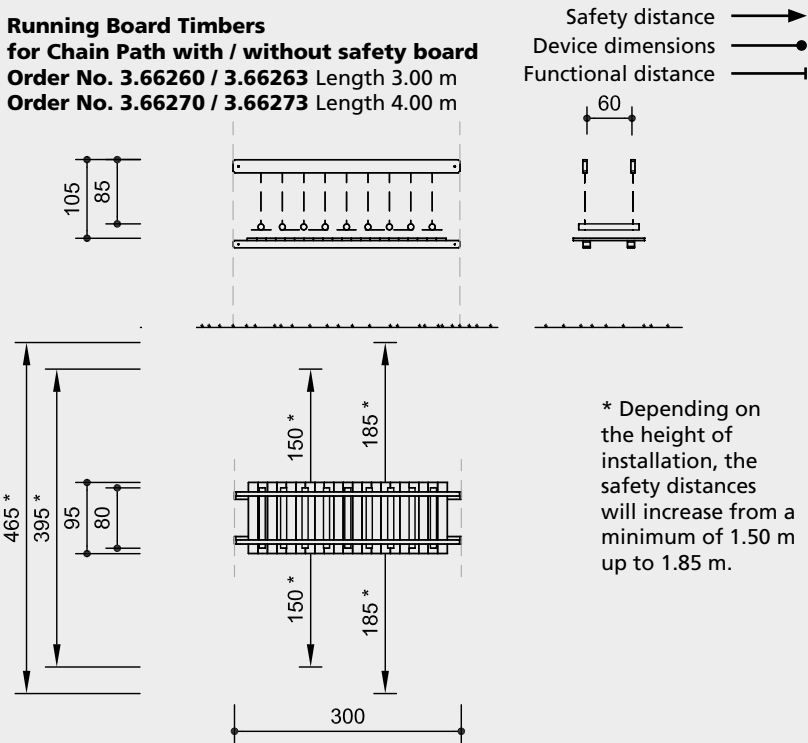


3.66360

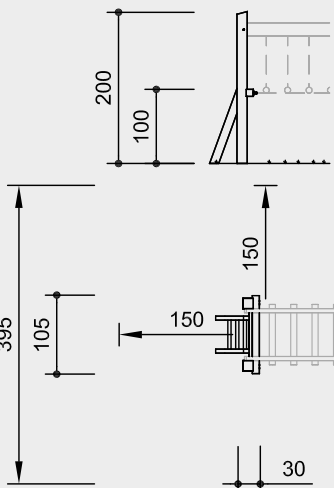


3.66367

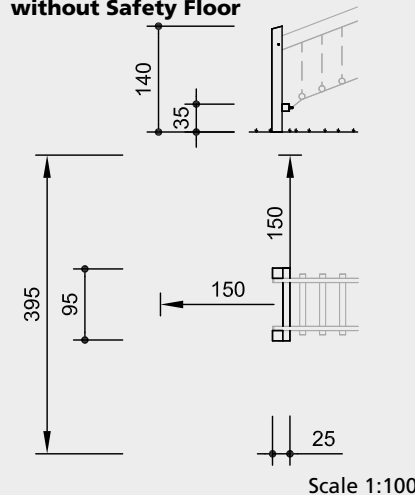
**Running Board Timbers
for Chain Path with / without safety board**
Order No. 3.66260 / 3.66263 Length 3.00 m
Order No. 3.66270 / 3.66273 Length 4.00 m



**Order No. 3.66224
End Frame with Ladder**



**Order No. 3.66231
End Frame for Inclined Chain Path
without Safety Floor**



Safety check according to DIN EN 1176

Components

Order No. 3.66260 / 3.66270

- 2 Handrails with running board timbers and chains
- 1 Safety board

Order No. 3.66263 / 3.66273

- 2 Handrails with running board timbers and chains

Order No. 3.66224

- 1 End frame made of square timber with steel feet and ladder for huts

Order No. 3.66231

- 1 End frame made of square timber with steel feet for inclined chain path for huts

Installation information

Surfacing requirements corresponding to a fall height of depends on the installation conditions (please refer to price list for more detailed information)

Foundations

**Order No. 3.66224
End Frame with Ladder**

- 2 items 60 x 60 x 60
- Excavation depth 80 cm
- 1 item 60 x 30 x 30
- Excavation depth 50 cm

**Order No. 3.66231
End Frame for Inclined Chain Path**

- 2 items 60 x 60 x 60
- Excavation depth 80 cm

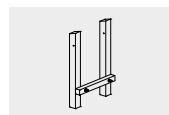
Attention:

Exact measurements may vary; for all installation dimensions refer to current assembly instructions.

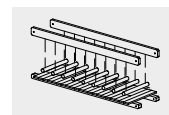
Technical changes reserved.



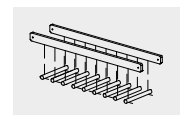
3.66224



3.66231



3.66260 / 3.66270



3.66263 / 3.66273

Technische Angaben

Equipment made of mountain larch

Order No.

3.66260 / 3.66263 / 3.66270 / 3.66273

Core-free

Sawn-timbers core-free, thus decreasing occurrences of cracking and undesired changes in shape



3

Chains

Chains made of hot-dip galvanized steel (1.4301 / 1.4571 at extra charge) welded before galvanising, short-linked, without eyelets on the connecting parts, easy to exchange and shorten



43

Order No. 3.66224 / 3.66231

Bevel cut

Vertical stand posts with bevelled end grain section as constructive wood preservation measure



1A

Core-free

Sawn-timbers core-free, thus decreasing occurrences of cracking and undesired changes in shape



3

Profiled washer

Profiled washer for covering protruding screw heads according to standard, improved pressure distribution and protection against water. Impedes loosening the bolt



29

Adjustable

Adjustable two-piece bolt connection, easy to maintain, no projecting threads



30

Ground anchor

All parts used for anchoring to the ground are made of hot-dip galvanized steel or stainless steel



41

Order No. 3.66224

As above, but in addition with

Hardwood rungs

Climbing rungs made of hardwood (ash) Ø 4.2 cm, milled and mortised, secured against twisting, easy to grip and not cold for children to touch



8

For more detailed explanation of the quality characteristics see price list.

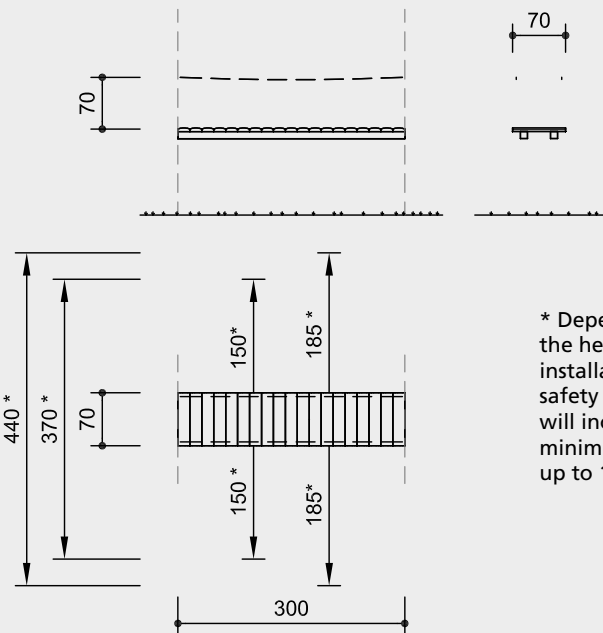
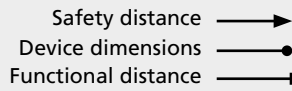
Dimensions

(small deviations possible)

Handrail length	3.00 / 4.00 m
Width	0.95 m
Running boards diameter	80 mm
Weight	120 / 160 kg
Weight End frame with ladder	100 kg
for inclined chain path	70 kg

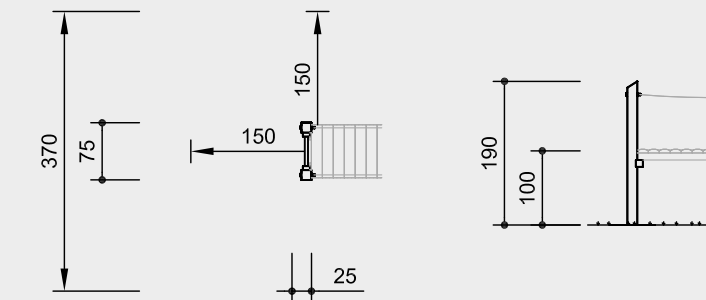
Rigid Bridge with chain handrail

- Order No. 3.66420** Length 2.00 m
- Order No. 3.66320** Length 3.00 m
- Order No. 3.66330** Length 4.00 m
- Order No. 3.66340** Length 5.00 m



* Depending on the height of installation, the safety distances will increase from a minimum of 1.50 m up to 1.85 m.

Order No. 3.66382
End Frame for Ramp with Ladder



Scale 1:100

Safety check according to DIN EN 1176

Components

- Order No. 3.66300**
1 Rigid bridge, Length 3.00 m
- Order No. 3.66420 / 3.66320 / 3.66330 / 3.66340**
1 Rigid bridge with chain handrails, Length 2.00 / 3.00 / 4.00 / 5.00 m
- Order No. 3.66382**
1 End frame for Ramp made of square timber with steel feet and ladder for Huts

Installation information

Surfacing requirements corresponding to a fall height of depends on the installation conditions (please refer to price list for more detailed information)

Foundations
Order No. 3.66382
End Frame for Ramp with Ladder
 1 item 120 x 60 x 60 cm
 Excavation depth 80 cm

Attention:
Exact measurements may vary; for all installation dimensions refer to current assembly instructions.
 Technical changes reserved.

Technische Angaben

Equipment made of mountain larch

Order No. 3.66300

Core-free
 Sawn-timbers core-free, thus decreasing occurrences of cracking and undesired changes in shape



Claddings
 Claddings made of mountain larch (4 – 5 cm). Peeled white by hand, natural tree surface remains tangible and perceptible



Order No. 3.66420 / 3.66320 / 3.66330 / 3.66340
 As above, but in addition with

Chains
 Chains made of hot-dip galvanized steel (1.4301 / 1.4571 at extra charge) welded before galvanising, short-linked, without eyelets on the connecting parts, easy to exchange and shorten



Order No. 3.66382

Bevel cut
 Vertical stand posts with bevelled end grain section as constructive wood preservation measure



Core-free
 Sawn-timbers core-free, thus decreasing occurrences of cracking and undesired changes in shape



Hardwood rungs
 Climbing rungs made of hardwood (ash) Ø 4.2 cm, milled and mortised, secured against twisting, easy to grip and not cold for children to touch



Profiled washer
 Profiled washer for covering protruding screw heads according to standard, improved pressure distribution and protection against water. Impedes loosening the bolt



Ground anchor
 All parts used for anchoring to the ground are made of hot-dip galvanised steel or stainless steel

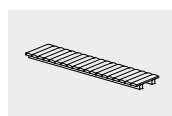


For more detailed explanation of the quality characteristics see price list.

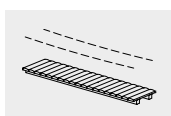
Dimensions
 (small deviations possible)

Order No. 3.66420 / 3.66320 / 3.66330 / 3.66340

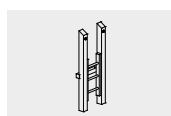
Length of bridge	2.00 / 3.00 / 4.00 / 5.00 m
Width	0.70 m
Weight	80 / 110 / 146 / 183 kg
End Frame	80 kg



3.66300

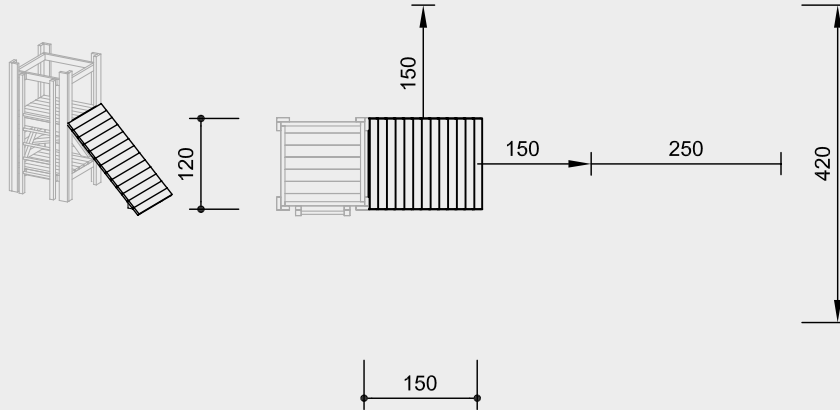


3.66320 - 3.66340 / 3.66420

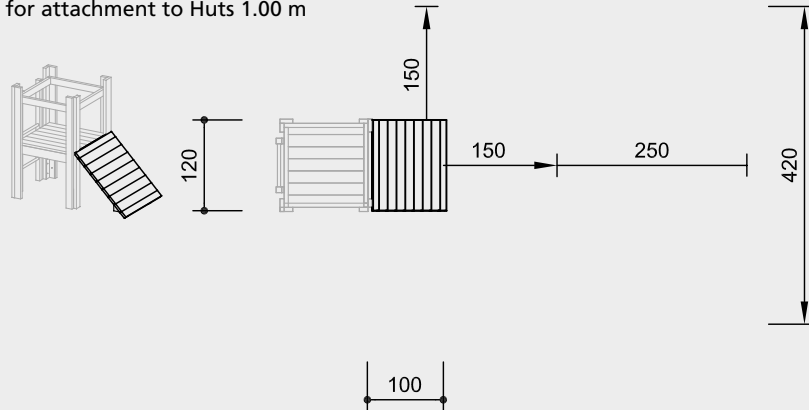


3.66382

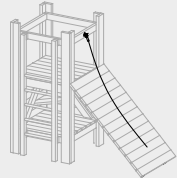
Order No. 3.67531
Inclined Wall
 for attachment to Huts 1.50 m



Order No. 3.67536
Inclined Wall
 for attachment to Huts 1.00 m



Order No. 3.69470
Holding Rope
 for Inclined Wall,
 attachment height 1.50 m



Scale 1:100

Technical information

Equipment made of non-impregnated mountain larch

Core-free
 Sawn-timbers core-free, thus decreasing occurrences of cracking and undesired changes in shape



Tongue and groove
 Tongue and groove planks made of 4 cm solid wood, highly resilient, no trickling of dust / sand, protection against direct rain



Ground anchor
 All parts used for anchoring to the ground are made of hot-dip galvanised steel or stainless steel



Order No. 3.69470 Holding Rope

Richter Hercules type rope
 Richter Hercules type rope, a combination of galvanised six-strand steel cables and polyester yarn, diameter > 20 mm, laid and glued with very good abrasion resistance, strong sheathing even in the case of damage by puncturing



Aluminium rope pressing
 Aluminium rope pressing, cylindrically pressed, with rounded ends



Rotating rope connection
 Rotatable fitting without dangerous openings, with sintered bush with integrated swivel to ensure the rope untwists



For more detailed explanation of the quality characteristics see price list.

Dimensions
 (small deviations possible)

Order No. 3.67531	
Inclined Wall	
Length	2.15 m
Width	1.20 m
Weight	65 kg

Order No. 3.67536	
Inclined Wall	
Length	1.40 m
Width	1.20 m
Weight	40 kg

Order No. 3.69470	
Holding Rope	
Length	2.00 m
Weight	2 kg

Attention:
Exact measurements may vary; for all installation dimensions refer to current assembly instructions.
 Technical changes reserved.

Safety check according to DIN EN 1176

Components

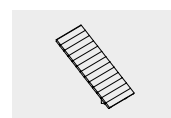
Order No. 3.67531 / 3.67536
 1 Inclined wall with inclination 45° and 2 steel feet

Order No. 3.69470
 1 Holding Rope

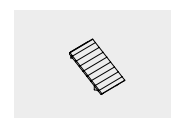
Installation information

Surfacing requirements corresponding to a fall height of
Order No. 3.67531 ≤ 1.50 m
Order No. 3.67536 ≤ 1.00 m
 (please refer to price list for more detailed information)

Foundations
Order No. 3.67531
Inclined Wall
 1 item 105 x 50 x 40 cm
 Excavation depth 60 cm
Order No. 3.67536
Inclined Wall
 1 item 105 x 50 x 40 cm
 Excavation depth 60 cm



3.67531

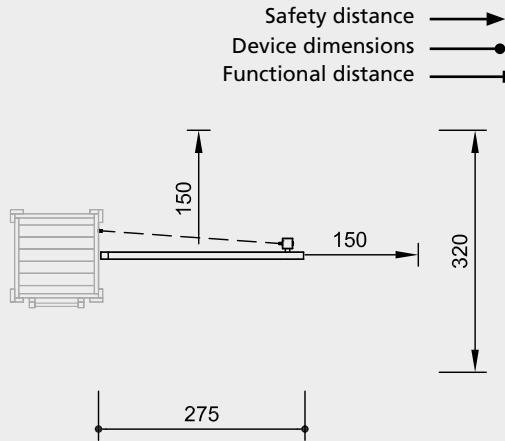
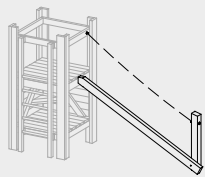


3.67536

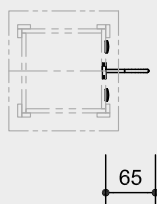
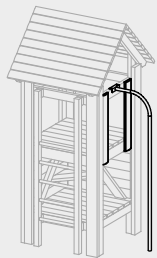


3.69470

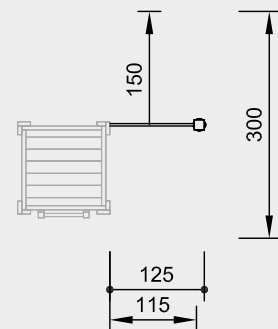
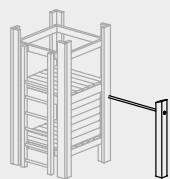
Order No. 3.68306
Inclined Balancing Beam
 for attachment to Huts 1.50 m



Order No. 3.69480
Firemen's Pole
 for attachment to Huts 1.50 m



Order No. L3.69700
Horizontal Bar



Scale 1:100

Safety check according to DIN EN 1176

Components

Order No. 3.68306
 1 Inclined balancing beam with chain handrail and stand post with steel feet

Order No. 3.69480
 1 Bent fireman's pole

Order No. L3.69700
 1 Horizontal bar with stand post with steel foot

Installation information

Surfacing requirements corresponding to a fall height of ≤ 1.50 m (please refer to price list for more detailed information)

Foundations
Order No. 3.68306 Inclined Balancing Beam
 1 item 60 x 60 x 50 cm
 Excavation depth 80 cm
Order No. 3.69480 Firemen's Pole
 1 item 30 x 30 x 30 cm
 Excavation depth 50 cm
Order No. L3.69700 Horizontal Bar
 1 item 60 x 60 x 60 cm
 Excavation depth 80 cm

Technical information

Order No. 3.68306 Inclined Balancing Beam
 Equipment made of non-impregnated mountain larch

Bevel cut
 Vertical stand posts with bevelled end grain section as constructive wood preservation measure



Core-free
 Sawn-timbers core-free, thus decreasing occurrences of cracking and undesired changes in shape



Ground anchor
 All parts used for anchoring to the ground are made of hot-dip galvanised steel or stainless steel



Chains
 Chains made of hot-dip galvanized steel (1.4301 / 1.4571 at extra charge) welded before galvanising, short-linked, without eyelets on the connecting parts, easy to exchange and shorten



Order No. 3.69480 Firemen's Pole
 Bent firemen's pole made of stainless steel, glass bead blasted, $\varnothing 42$ mm

Order No. L3.69700 Horizontal Bar
 Equipment made of non-impregnated mountain larch

Bevel cut
 Vertical stand posts with bevelled end grain section as constructive wood preservation measure



Core-free
 Sawn-timbers core-free, thus decreasing occurrences of cracking and undesired changes in shape



Ground anchor
 All parts used for anchoring to the ground are made of hot-dip galvanised steel or stainless steel



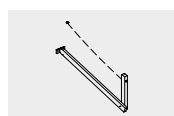
For more detailed explanation of the quality characteristics see price list.

Dimensions
 (small deviations possible)

Order No. 3.68306 Inclined Balancing Beam
 Length 3.00 m
 Weight 100 kg

Order No. L3.69700 Horizontal Bar
 Horizontal bar diameter 30 mm
 Height 1.14 m
 Weight 40 kg

Attention:
Exact measurements may vary; for all installation dimensions refer to current assembly instructions.
 Technical changes reserved.



3.68306

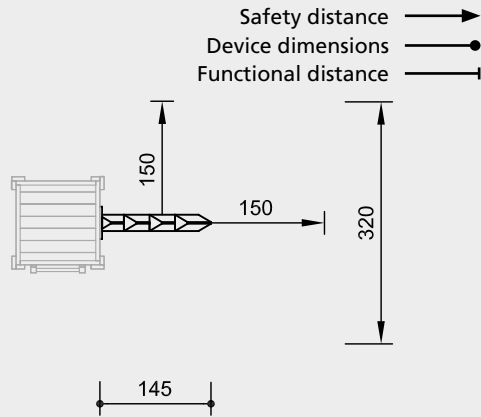
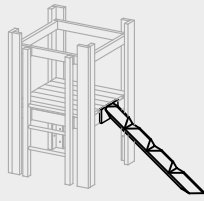


3.69480

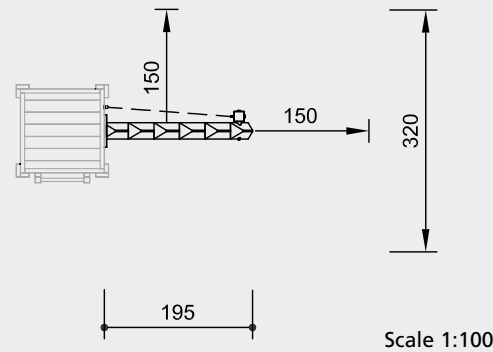
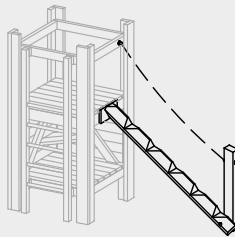


L3.69700

Order No. 3.69506
Climbing Trunk
 for attachment to Huts 1.00 m



Order No. 3.69516
Climbing Trunk with handrail on one side
 for attachment to Huts 1.50 m



Scale 1:100

Safety check according to DIN EN 1176

Components

Order No. 3.69506
 1 Climbing trunk with steel foot

Order No. 3.69516
 1 Climbing trunk with chain handrail and stand post with steel foot

Installation information

Surfacing requirements corresponding to a fall height of
Order No. 3.69506 ≤ 1.00 m
Order No. 3.69516 ≤ 1.50 m
 (please refer to price list for more detailed information)

Foundations
Order No. 3.69506
 1 item 40 x 40 x 20 cm
 Excavation depth 40 cm
Order No. 3.69516
 1 item 60 x 60 x 60 cm
 Excavation depth 80 cm

Attention:
Exact measurements may vary; for all installation dimensions refer to current assembly instructions.
 Technical changes reserved.

Technical information

Equipment made of non-impregnated mountain larch

Bevel cut

Vertical stand posts with bevelled end grain section as constructive wood preservation measure



Core-free

Sawn-timbers core-free, thus decreasing occurrences of cracking and undesired changes in shape



Plywood

Plywood made of mountain larch, three-layer (3 cm) or five-layer (4 cm). High dimensional stability, waterproof, glued according to DIN EN 13353:2011



Profiled washer

Profiled washer for covering protruding screw heads according to standard, improved pressure distribution and protection against water. Impedes loosening the bolt



Ground anchor

All parts used for anchoring to the ground are made of hot-dip galvanised steel or stainless steel



Chains

Chains made of hot-dip galvanized steel (1.4301 / 1.4571 at extra charge) welded before galvanising, short-linked, without eyelets on the connecting parts, easy to exchange and shorten



Distance fitting

Screw connection with distance fitting to avoid entrapment areas



For more detailed explanation of the quality characteristics see price list.

Dimensions

(small deviations possible)

Order No. 3.69506 Climbing Trunk

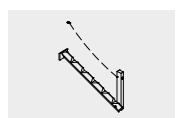
Length 2.45 m
 Weight 40 kg

Order No. 3.69516 Climbing Trunk

Length 2.35 m
 Weight 80 kg

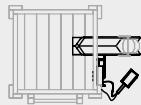
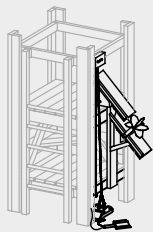


3.69506



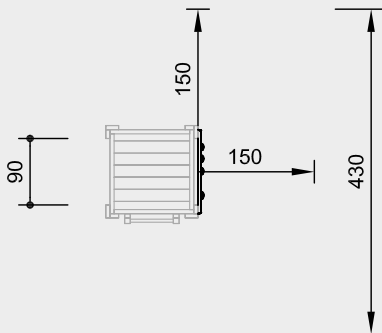
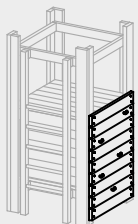
3.69516

Order No. 3.19100
Sand Play Equipment
 for attachment to Huts 1.50 m

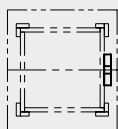
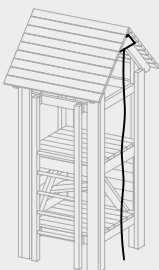


Safety distance →
 Device dimensions —●—
 Functional distance —|—

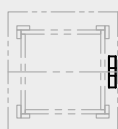
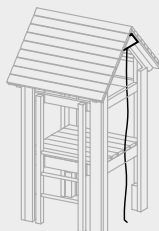
Order No. 3.67503
Climbing Wall
 for attachment to Huts 1.50 m



Order No. 3.69430
Climbing Rope
 for attachment to Platform Hut 1.50 m
 with Roof, pedestal height 1.50 m



Order No. 3.69433
Climbing Rope
 for attachment to Platform Hut 1.00 m
 with Roof, pedestal height 1.00 m



Scale 1:100

Safety check according to DIN EN 1176

Components

- Order No. 3.19100**
 1 Sand hoist with shovel and chain
 1 2-level sand chute with sand wheel

- Order No. 3.67503**
 1 Attached climbing wall
 5 Climbing grips

- Order No. 3.69430 / 3.69433**
 1 Climbing rope with fitting for roof of
 platform hut

Attention:
Exact measurements may vary;
for all installation dimensions refer
to current assembly instructions.
 Technical changes reserved.

Installation information

Surfacing requirements
 corresponding to a fall height of
Order No. 3.67503 ≤ 1.50 m
Order No. 3.69430 ≤ 2.00 m
Order No. 3.69433 ≤ 1.50 m
 (please refer to price list for more
 detailed information)
Order No. 3.19100
 Sand is required for correct functioning.

Foundations
Order No. 3.69430
 1 item 30 x 30 x 30 cm
 Excavation depth 50 cm



3.19100



3.67503



3.69430 / 3.69433

Technical information

Order No. 3.19100
Sand Play Equipment
 Equipment made of non-impregnated
 mountain larch

Core-free
 Sawn-timbers core-free, thus decreasing
 occurrences of cracking and undesired
 changes in shape



Sintered bush
 For all reciprocating movements we
 use sintered plain bearings which are
 self-lubricating in use and can easily be
 exchanged if necessary



Chains
 Chains made of hot-dip galvanized
 steel (1.4301 / 1.4571 at extra charge)
 welded before galvanising, short-linked,
 without eyelets on the connecting parts,
 easy to exchange and shorten



Sand container of textile-reinforced
 rubber belt, 8 mm thick
 Sand wheel and shovel hot-dip
 galvanised

Order No. 3.67503 Climbing Wall
 Climbing wall of non-impregnated
 mountain larch

Core-free
 Sawn-timbers core-free, thus decreasing
 occurrences of cracking and undesired
 changes in shape



Tongue and groove
 Tongue and groove planks made of
 4 cm solid wood, highly resilient, no
 trickling of dust / sand, protection
 against direct rain



Professional climbing grips made of a
 mixture of sand-synthetic resin with
 100% safe anti-rotation system against
 unintended twisting of the grips

Order No. 3.69430 / 3.69433
Climbing Rope

Richter Hercules type rope
 Richter Hercules type rope, a combina-
 tion of galvanised six-strand steel cables
 and polyester yarn, diameter > 20 mm,
 laid and glued with very good abrasion
 resistance, strong sheathing even in the
 case of damage by puncturing



Rope connection fixed
 Fixed rope connection without dan-
 gerous openings. Screw connection
 adjustable and countersunk in the wood



For more detailed explanation of the
quality characteristics see price list.

Dimensions
 (small deviations possible)

Order No. 3.67503	
Height	1.50 m
Width	0.90 m
Weight	50 kg
Order No. 3.69430 / 3.69433	
Installation height	3.00 / 2.50 m
Weight	5 kg

Play value

The claddings of the tower walls are de-barked by hand allowing them to retain the natural structure of the wood. This means you can still feel where the branches used to grow on the tree, and the grain remains visible. The playrooms of our towers are also little individual play-house offers and their size matches that of a child's perception. By providing intermediate floors, cosy little rooms are created; some are fitted with a hatch. A bench in the bottom room is an inviting place to meet for a chat where children feel sheltered and protected. Climbing up to the next floor in the tower is also very exciting. The various combination elements such as slide, suspension bridge, chain path etc. make the tower especially appealing. To enhance the transparency, the side walls of the tower can be fitted with four lookout slits at an additional charge.



Photo © Barbara Evripidou



Order No. L3.20600 Square Tower with Roof



Photo © Daniel Perales



Order No. L3.20600 Square Tower, Attachment elements not included in the scope of components

Fundamental characteristics

- High-quality design
- Very special appeal
- Versatile opportunities for combination rooms for play inside
- Incentive for playing: experiencing height, cosy rooms, role-playing games
- Movement: climbing

Recommended for

- Kindergarten children
- School children
- Supervised play areas, such as kindergartens, schools, after-school programmes or similar
- Public play areas without supervision, such as playgrounds, parks or similar

Towers for combination

Square Tower with Roof



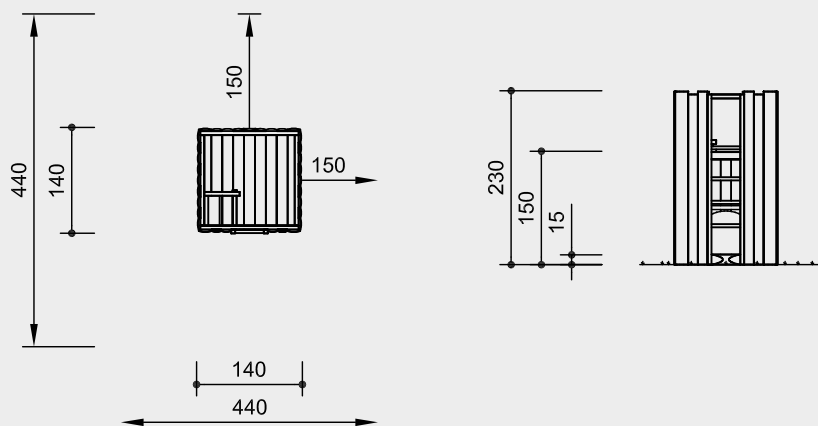
L3.20500



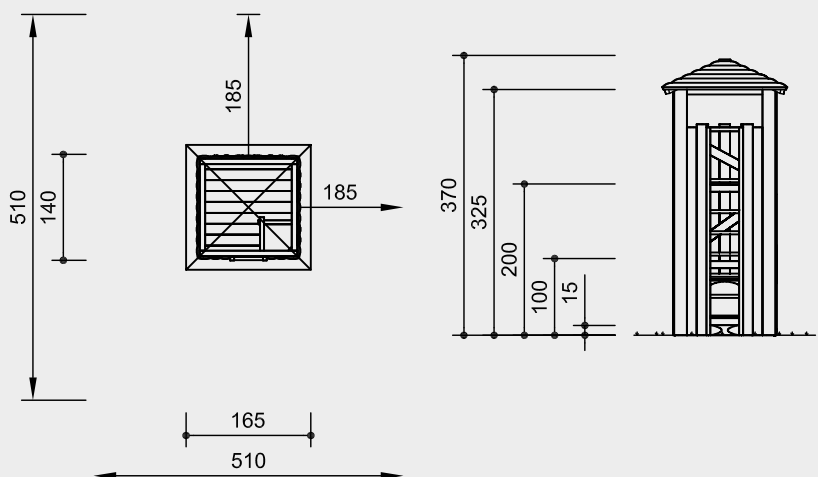
L3.20600

Order No. L3.20500
Square Tower

Safety distance 
Device dimensions 
Functional distance 



Order No. L3.20600
Square Tower with Roof



Scale 1:100

Safety check according to DIN EN 1176

Components

Order No. L3.20500

- 1 Tower with:
 - 2 Floors, 1 ladder
 - 1 Bench in the lower room
 - 1 Passageway
- 4 Steel feet

Order No. L3.20600

- 1 Tower with:
 - 3 Floors, 1 ladder
 - 1 Bench in the lower room
 - 1 Passageway from 1st to 2nd floor
- 1 Roof
- 4 Steel feet

Installation information

Surfacing requirements corresponding to a fall height of
Order No. L3.20500 ≤ 1.50 m
Order No. L3.20600 ≤ 2.00 m
 (please refer to price list for more detailed information)

Foundations
 4 items 50 x 50 x 55 cm
 Excavation depth 75 cm

Attention:
Exact measurements may vary; for all installation dimensions refer to current assembly instructions.
 Technical changes reserved.

Technical information

Equipment made of non-impregnated mountain larch

Core-free

Sawn-timbers core-free, thus decreasing occurrences of cracking and undesired changes in shape



Claddings

Claddings made of mountain larch (4 – 5 cm). Peeled white by hand, natural tree surface remains tangible and perceptible



Hardwood rungs

Climbing rungs made of hardwood (ash) Ø 4.2 cm, milled and mortised, secured against twisting, easy to grip and not cold for children to touch



Ground anchor

All parts used for anchoring to the ground are made of hot-dip galvanised steel or stainless steel



For more detailed explanation of the quality characteristics see price list.

Completely assembled construction

Dimensions

(small deviations possible)

Order No. L3.20500
Square Tower

Height	2.30 m
Floor heights	0.15 / 1.50 m
Footprint	1.40 x 1.40 m
Weight	350 kg

Order No. L3.20600
Square Tower with Roof

Height	3.70 m
Floor heights	0.15 / 1.00 / 2.00 m
Footprint	1.40 x 1.40 m
Footprint with roof	1.65 m x 1.65 m
Weight	550 kg



L3.20500



L3.20600



Special version with Rotating Disc 10.22100ff.

Play value

Our Pentagonal Tower on Stilts is an eye-catcher thanks to its striking design and is well suited to give play spaces a special character and an unmistakable identity. The dense wooden cladding is especially inviting to hide in and spy from. It also offers the opportunity to experience height and enjoy the view. If supplemented with one or more slides, exercise activities and play pleasure will be even more intense. It is also possible to create a little town by connecting several towers with tunnels.



Pentagonal Tower on Stilts



Fundamental characteristics


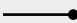
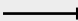
- Reaching and experiencing height
- Can be combined with open slides and tunnel slides, connection tunnels, suspension bridges, rope bridges and much more

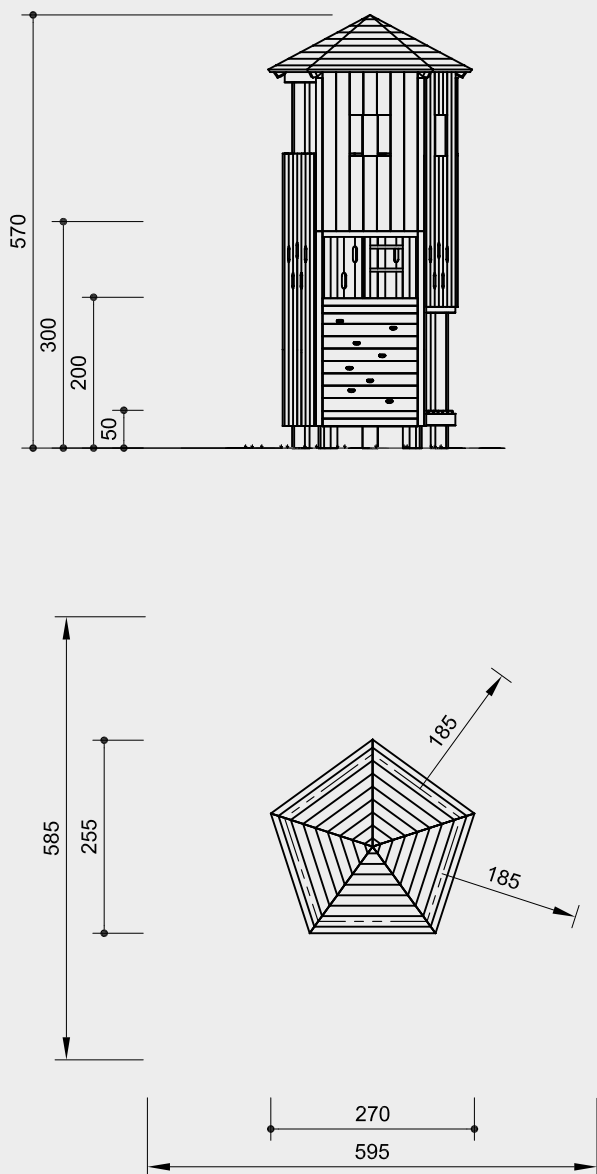
Recommended for

- School children
- Supervised play areas, such as kindergartens, schools, after-school programmes or similar
- Public play areas without supervision, such as playgrounds, parks or similar



Order No. 3.20860
Pentagonal Tower on Stilts

Safety distance 
 Device dimensions 
 Functional distance 



Scale 1:100

Safety check according to DIN EN 1176

Components

- 1 Tower, incl.
- 2 Complete floors
 - 1 Half floor
 - 2 Benches
- 1 Climbing wall
 - 1 Ladder
 - 20 Lookout slits
 - 5 Steel feet
 - 8 Climbing Grips
- 1 Roof

Installation information

Surfacing requirements corresponding to a fall height of ≤ 3.00 m (please refer to price list for more detailed information)

Foundations
 5 items 60 x 60 x 60 cm
 Excavation depth 80 cm

Attention:
Exact measurements may vary;
for all installation dimensions refer
to current assembly instructions.
 Technical changes reserved.

Technical information

Equipment made of non-impregnated mountain larch

Core-free

Sawn-timbers core-free, thus decreasing occurrences of cracking and undesired changes in shape



Tongue and groove

Tongue and groove planks made of 4 cm solid wood, highly resilient, no trickling of dust / sand, protection against direct rain



Laminated wood beams

Laminated wood beams made of non-impregnated larch, glued according to EN 14080:2013; for very large timber cross-sections; comparatively low shrinkage, almost completely free of cracks



Hardwood rungs

Climbing rungs made of hardwood (ash) $\varnothing 4.2$ cm, milled and mortised, secured against twisting, easy to grip and not cold for children to touch



Adjustable

Adjustable two-piece bolt connection, easy to maintain, no projecting threads



Ground anchor

All parts used for anchoring to the ground are made of hot-dip galvanised steel or stainless steel



For more detailed explanation of the quality characteristics see price list.

Professional climbing grips made of a mixture of sand/synthetic resin with 100% safe anti-rotation system against unintended twisting of the grips

Completely assembled construction

Dimensions

(small deviations possible)

Height with roof	5.70 m
Height without roof	5.00 m
Floor heights	0.50 / 2.00 / 3.00 m
Footprint	2.70 m
Weight	1900 kg



3.20860



Special version



Special version

Play value

The Castle Tower looks just like an old fortified tower and is a meeting point for older children and young people. It is crowned with a battlement and can be combined with other equipment. It can be combined particularly well with slides but other combinations are also possible. A ladder leads up to a two-metre-high floor, topped with a castle flag. A round bench in the lower area is an inviting place to sit for a while. With its striking appearance, the Castle Tower has a signal effect and lends a special atmosphere to every playground.

Fundamental characteristics

- Unique and original
- Striking appearance
- Eye-catcher
- Observation slits
- Agreeable design

Recommended for

- School children
- Supervised play areas, such as kindergartens, schools, after-school programmes or similar
- Public play areas without supervision, such as playgrounds, parks or similar
- Swimming pools without supervision, such as outdoor pools, adventure pools or similar



Special version with slide

Castle Tower



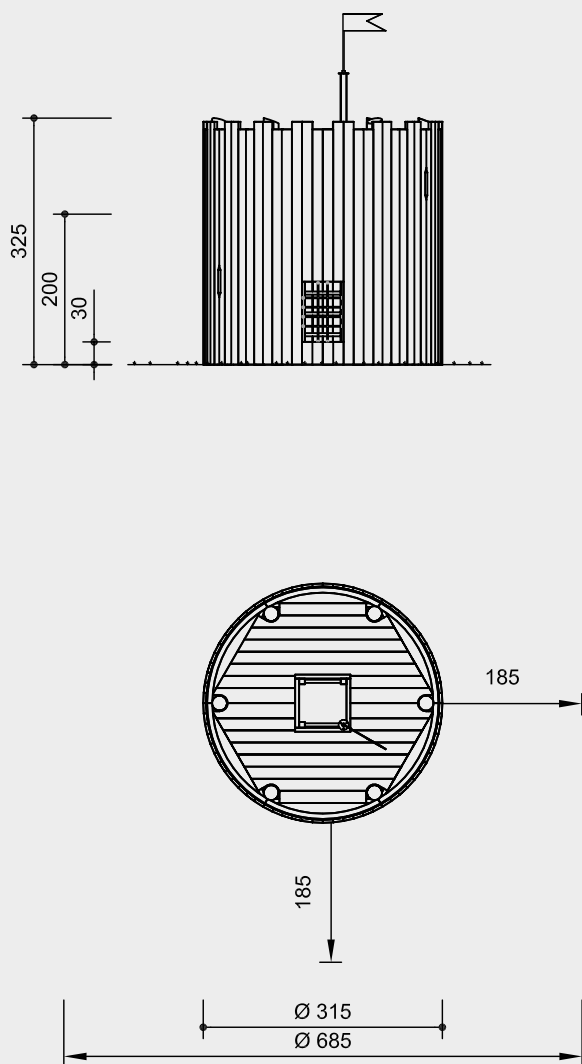
© Richter Spielgeräte GmbH 06/22



3.22000

Order No. 3.22000
Castle Tower

Safety distance →
Device dimensions ●
Functional distance —|



Safety check according to DIN EN 1176

Components

- 3 Support frames
- 2 Floor halves
- 1 Ladder with flag
- 6 Facade elements
- 2 Rope windows

Installation information

Surfacing requirements corresponding to a fall height of ≤ 2.00 m (please refer to price list for more detailed information)

Foundations
6 items 60 x 60 x 60 cm
Excavation depth 80 cm
4 items 30 x 30 x 30 cm
Excavation depth 50 cm

Attention:
Exact measurements may vary;
for all installation dimensions refer
to current assembly instructions.
Technical changes reserved.

Technical information

Equipment made of non-impregnated mountain larch

Peeled white

Palisades peeled white means that bark, cambium and sapwood are removed, the natural shape of the trunk is preserved and can be experienced



Bevel cut

Vertical stand posts with bevelled end grain section as constructive wood preservation measure



Core-free

Sawn-timbers core-free, thus decreasing occurrences of cracking and undesired changes in shape



Tongue and groove

Tongue and groove planks made of 4 cm solid wood, highly resilient, no trickling of dust / sand, protection against direct rain



Hardwood rungs

Climbing rungs made of hardwood (ash) Ø 4.2 cm, milled and mortised, secured against twisting, easy to grip and not cold for children to touch



Hercules rope

Hercules rope, for spliced net connections. A compound of steel rope for the core and polyester or polyamide yarn for the sheath. High abrasion resistance, 4 or 6 strands



Ground anchor

All parts used for anchoring to the ground are made of hot-dip galvanised steel or stainless steel

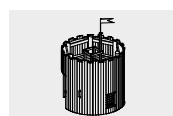


For more detailed explanation of the quality characteristics see price list.

Dimensions

(small deviations possible)

Height	3.25 m
Floor height	2.00 m
Diameter	3.15 m
Weight	1500 kg



3.22000



Photo © Concetto Studios



Photo © Tristan Filippone

Play value

Because of its individual shape, the Pyramid Tower catches the eye and is therefore suited as a playground signal and lends the site an unmistakable character. The metal tip shines in the sunlight and the cladding is transparent, letting light pass through, despite its sturdiness. A colour design provides an interesting accentuation. If the towers are grouped, it is possible to create a spectacular slide system with connecting tunnels which will undoubtedly form a big attraction in leisure areas.



Photo © Concetto Studios

Fundamental characteristics

- Unique and original
- High-quality design
- High aesthetic value
- Incentive for playing: experiencing height, curiosity
- Movement: climbing

Recommended for

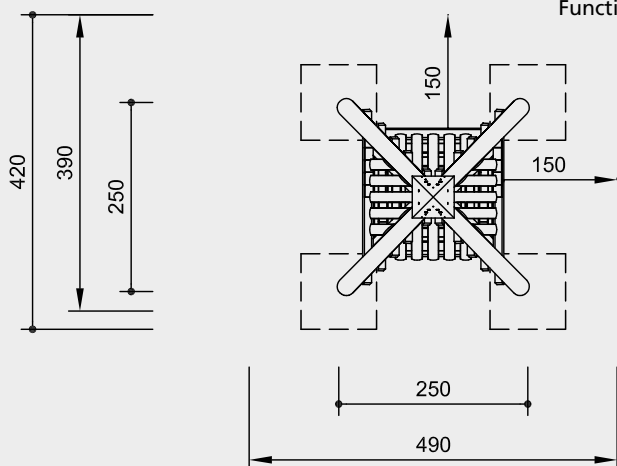
- School children
- Young people
- Supervised play areas, such as kindergartens, schools, after-school programmes or similar
- Public play areas without supervision, such as playgrounds, parks, leisure areas or similar

- Small Pyramid Tower**
- Middle Pyramid Tower**
- Midsize Pyramid Tower**
- Big Pyramid Tower**



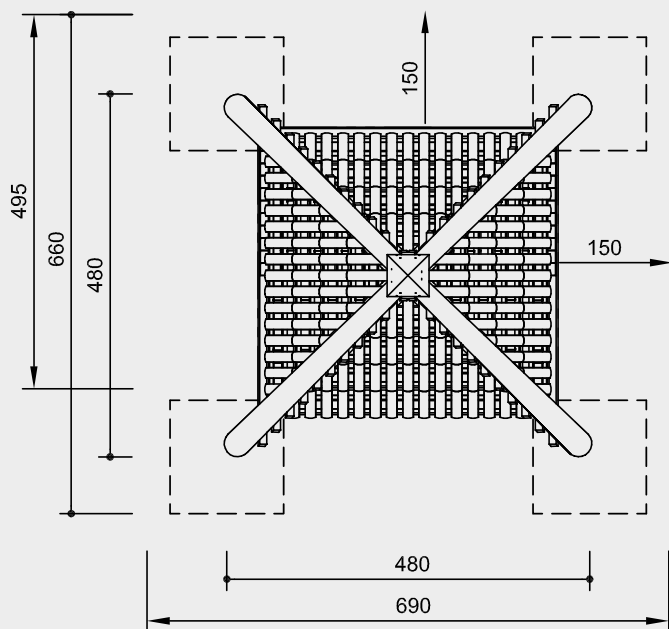
L3.41000 - L3.43000

**Order No. L3.41000
Small Pyramid Tower**



Safety distance →
Device dimensions ●
Functional distance —

**Order No. L3.43000
Big Pyramid Tower**



Scale 1:100

Safety check according to DIN EN 1176

Components

**Order No. L3.41000
Small Pyramid Tower**

- 4 Posts with steel feet
- 3 Floors, one-piece construction
- 4 Panels
- 1 Ladder
- 1 Tip

**Order No. L3.42000
Middle Pyramid Tower**

- 4 Posts with steel feet
- 5 Floors, one-piece construction
- 8 Panels
- 1 Ladder
- 1 Tip

**Order No. L3.42500
Midsize Pyramid Tower**

- 4 Posts with steel feet
- 7 Floors, one-piece construction
- 12 Panels
- 2 Ladders
- 1 Tip

**Order No. L3.43000
Big Pyramid Tower**

- 4 Posts with steel feet
- 8 Floors, one-piece construction
- 1 Floor, two-piece construction with post
- 16 Panels
- 2 Ladders
- 1 Tip

Technical information

Equipment made of non-impregnated mountain larch

Peeled white

Palisades peeled white means that bark, cambium and sapwood are removed, the natural shape of the trunk is preserved and can be experienced



Core-free

Sawn-timbers core-free, thus decreasing occurrences of cracking and undesired changes in shape



Claddings

Claddings made of mountain larch (4 – 5 cm). Peeled white by hand, natural tree surface remains tangible and perceptible



Tongue and groove

Tongue and groove planks made of 4 cm solid wood, highly resilient, no trickling of dust / sand, protection against direct rain



Hardwood rungs

Climbing rungs made of hardwood (ash) Ø 4.2 cm, milled and mortised, secured against twisting, easy to grip and not cold for children to touch



Interlocking

Interlocking connection, with milled metal rings or serrated disc dowels, to reinforce the bolt connection under high loads transverse to the grain direction of the wood



Ground anchor

All parts used for anchoring to the ground are made of hot-dip galvanised steel or stainless steel



For more detailed explanation of the quality characteristics see price list.

Tip made of stainless steel, glass bead blasted

Dimensions

(small deviations possible)

**Order No. L3.41000
Small Pyramid Tower**

- Height 7.00 m
- Floor heights 1.00 - 3.00 m
- Ground surface 2.50 x 2.50 m
- Support posts diameter 22 - 24 cm
- Weight approx. 1500 kg

**Order No. L3.42000
Middle Pyramid Tower**

- Height 9.00 m
- Floor heights 1.00 - 5.00 m
- Ground surface 3.30 x 3.30 m
- Support posts diameter 25 - 29 cm
- Weight approx. 3000 kg

**Order No. L3.42500
Midsize Pyramid Tower**

- Height 11.00 m
- Floor heights 1.00 - 7.00 m
- Ground surface 4.00 x 4.00 m
- Support posts diameter 25 - 29 cm
- Weight approx. 4000 kg

**Order No. L3.43000
Big Pyramid Tower**

- Height 13.00 m
- Floor heights 1.00 - 9.00 m
- Ground surface 4.80 x 4.80 m
- Support posts diameter 26 - 35 cm
- Weight approx. 6000 kg



L3.41000 - L3.43000



Small Pyramid Tower
Middle Pyramid Tower
Midsize Pyramid Tower
Big Pyramid Tower



L3.41000 - L3.43000



Photo © Tristan Filippone

Installation information

Surfacing requirements corresponding to a fall height of ≤ 1.00 m (please refer to price list for more detailed information)

Foundations

Order No. L3.41000

Small Pyramid Tower

4 items 100 x 100 x 100 cm
Excavation depth 100 cm

Order No. L3.42000

Middle Pyramid Tower

4 items 100 x 100 x 100 cm
Excavation depth 120 cm

Order No. L3.42500

Midsize Pyramid Tower

4 items 150 x 150 x 100 cm
Excavation depth 120 cm
1 item 90 x 30 x 50 cm
Excavation depth 70 cm

Order No. L3.43000

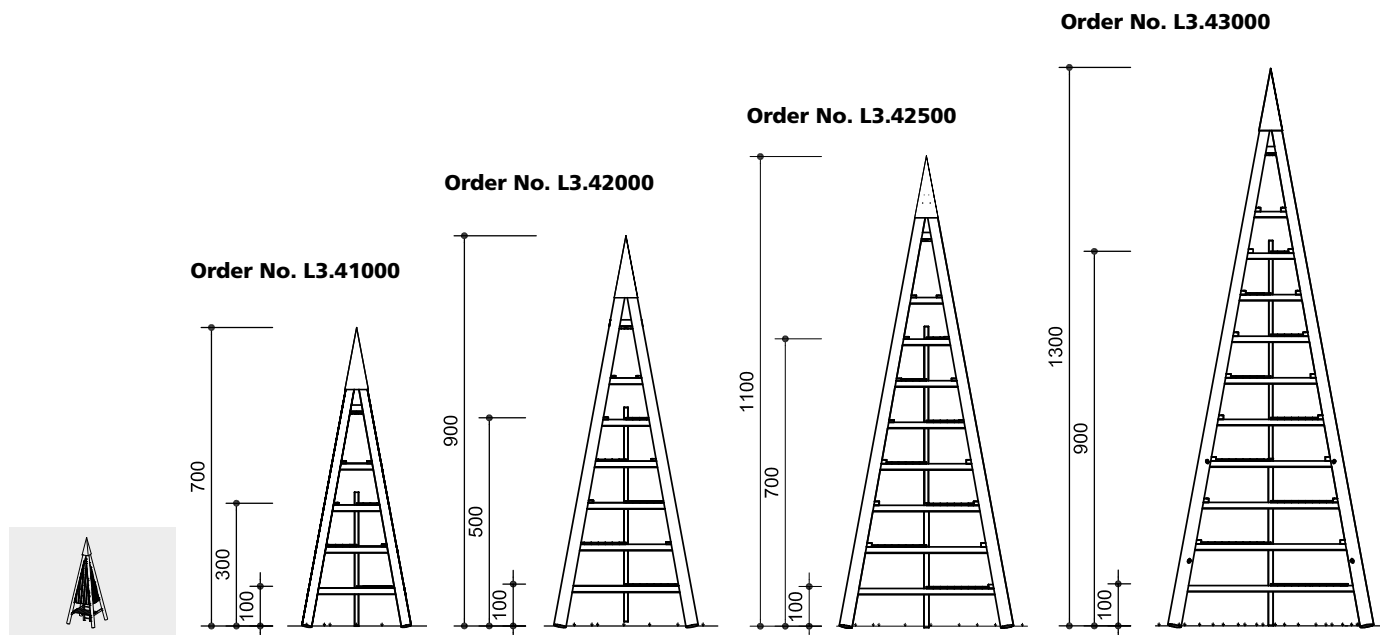
Big Pyramid Tower

4 items 150 x 150 x 100 cm
Excavation depth 120 cm
1 item 90 x 30 x 50 cm
Excavation depth 70 cm
1 item 40 x 40 x 50 cm
Excavation depth 70 cm

Attention:

Exact measurements may vary, for all installation dimensions refer to current installation instructions. For special climatic conditions, the equipment is also available with support posts made of laminated wood in mountain larch with square cross-section.

Technical changes reserved.



L3.41000 - L3.43000



Special version

Play value

The complex Octagonal Tower with its attractive shape is particularly suited to identify a play area. It has a very special appeal and is often the centre-piece of a playground. Adventure games and role playing can develop around it and together with it. Combination equipment such as the standard Climbing Rope, the Net or the Slide increase the incentive for play. Children feel good in gaining height and in observing the world from above from a completely different perspective. This makes them feel they are the „King of the Castle“.

Fundamental characteristics

- Unique and original
- Agreeable design
- Incentive for playing: experience height
- Movement: climbing

Recommended for

- School children
- Young people
- Public play areas without supervision, such as playgrounds, parks or similar
- Swimming pools without supervision, such as outdoor pools, adventure pools or similar



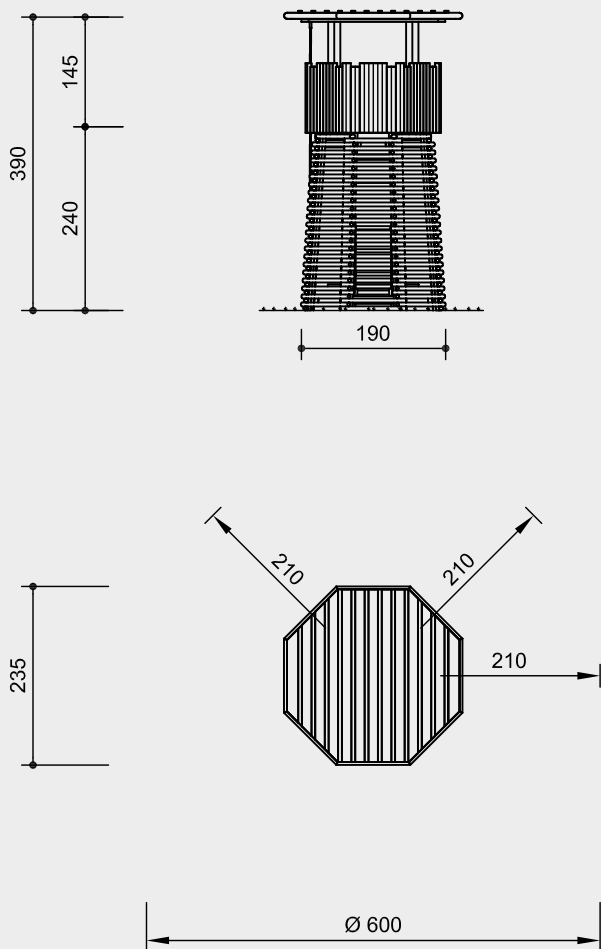
Octagonal Tower with climbing rope



7.79000

Order No. 7.79000
Octagonal Tower with climbing rope

Safety distance 
 Device dimensions 
 Functional distance 



Scale 1:100

Safety check according to DIN EN 1176

Components

- 1 Tower with inside ladder ascent and entrance to the basket
- 1 Basket top
- 1 Roof with climbing rope
- 8 Steel feet

Installation information

Surfacing requirements corresponding to a fall height of ≤ 3.00 m (please refer to price list for more detailed information)

Foundations
 7 items 40 x 40 x 50 cm
 Excavation depth 70 cm
 1 item 60 x 40 x 50 cm
 Excavation depth 70 cm

Attention:
Exact measurements may vary;
for all installation dimensions refer
to current assembly instructions.
 Technical changes reserved.

Technical information

Equipment made of non-impregnated mountain larch

Core-free

Sawn-timbers core-free, thus decreasing occurrences of cracking and undesired changes in shape



Hardwood rungs

Climbing rungs made of hardwood (ash) Ø 4.2 cm, milled and mortised, secured against twisting, easy to grip and not cold for children to touch



Richter Hercules type rope

Richter Hercules type rope, a combination of galvanised six-strand steel cables and polyester yarn, diameter > 20 mm, laid and glued with very good abrasion resistance, strong sheathing even in the case of damage by puncturing



Aluminium rope pressing

Aluminium rope pressing, cylindrically pressed, with rounded ends



Rope connection fixed

Fixed rope connection without dangerous openings. Screw connection adjustable and countersunk in the wood



Ground anchor

All parts used for anchoring to the ground are made of hot-dip galvanised steel or stainless steel



For more detailed explanation of the quality characteristics see price list.

Dimensions

(small deviations possible)

Height	3.90 m
Platform height	2.40 m
Ground surface diameter	1.90 m
Weight	1300 kg



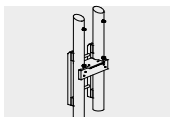
7.79000



**Standard elements for combination
with towers**

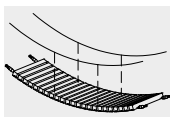
Standard elements for combination with tower 1.50 m

SUSPENSION BRIDGE ELEMENTS



P. 51

Order No. L3.66030
End Frame with Ladder



P. 51

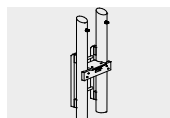
Order No. 3.66090ff.
Running Boards with chain handrails (3, 4, 5 m)



P. 56

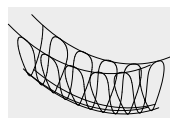
Order No. 3.66045
Support Frame for Suspension Bridge

ROPE BRIDGE ELEMENTS



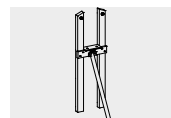
P. 52

Order No. L3.66520
End Frame with Ladder



P. 52

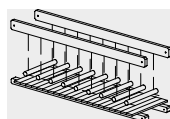
Order No. 3.66530ff.
Rope Bridge (2, 3, 4, 5 m)



P. 56

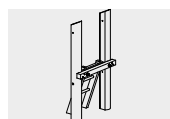
Order No. 3.66603
Support Frame for Rope Bridge

CHAIN PATH ELEMENTS



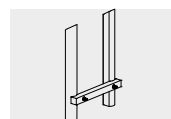
P. 53

Order No. 3.66260ff.
Walkway with / without safety board for Chain (3, 4 m)



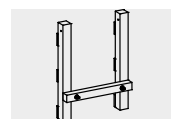
P. 53

Order No. L3.66220
End Frame with Ladder



P. 53

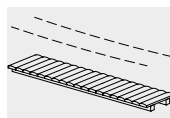
Order No. 3.66232
End Frame for Inclined Chain Path without safety board



P. 55

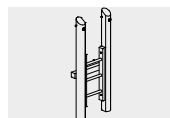
Order No. 3.66240
Support Frame for Chain Path

BRIDGE ELEMENTS



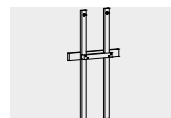
P. 54

Order No. 3.66300ff.
Bridge without / with handrails (2, 3, 4, 5 m)



P. 54

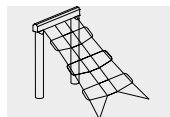
Order No. 3.66388
End Frame for ramp with Ladder



P. 55

Order No. 3.66352
Support Frame for Bridge

MISCELLANEOUS ELEMENTS



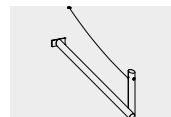
P. 50

Order No. L3.69105
Inclined Climbing Net



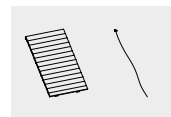
P. 50

Order No. L3.69350
Vertical Climbing Net with firemen's pole



P. 55

Order No. 3.68301
Inclined Balancing Beam



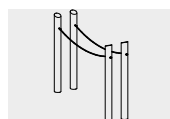
P. 57

Order No. 3.67514
Inclined Wall
Order No. 3.69470
Holding Rope for Inclined Wall



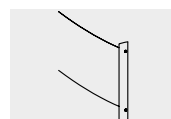
P. 58

Order No. 3.67504
Climbing Wall



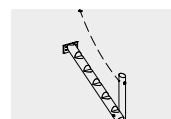
P. 59

Order No. L3.68500
Double Hanging Rope



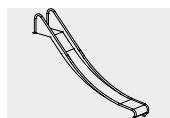
P. 59

Order No. L3.69010
Balancing Rope with Holding Rope



P. 60

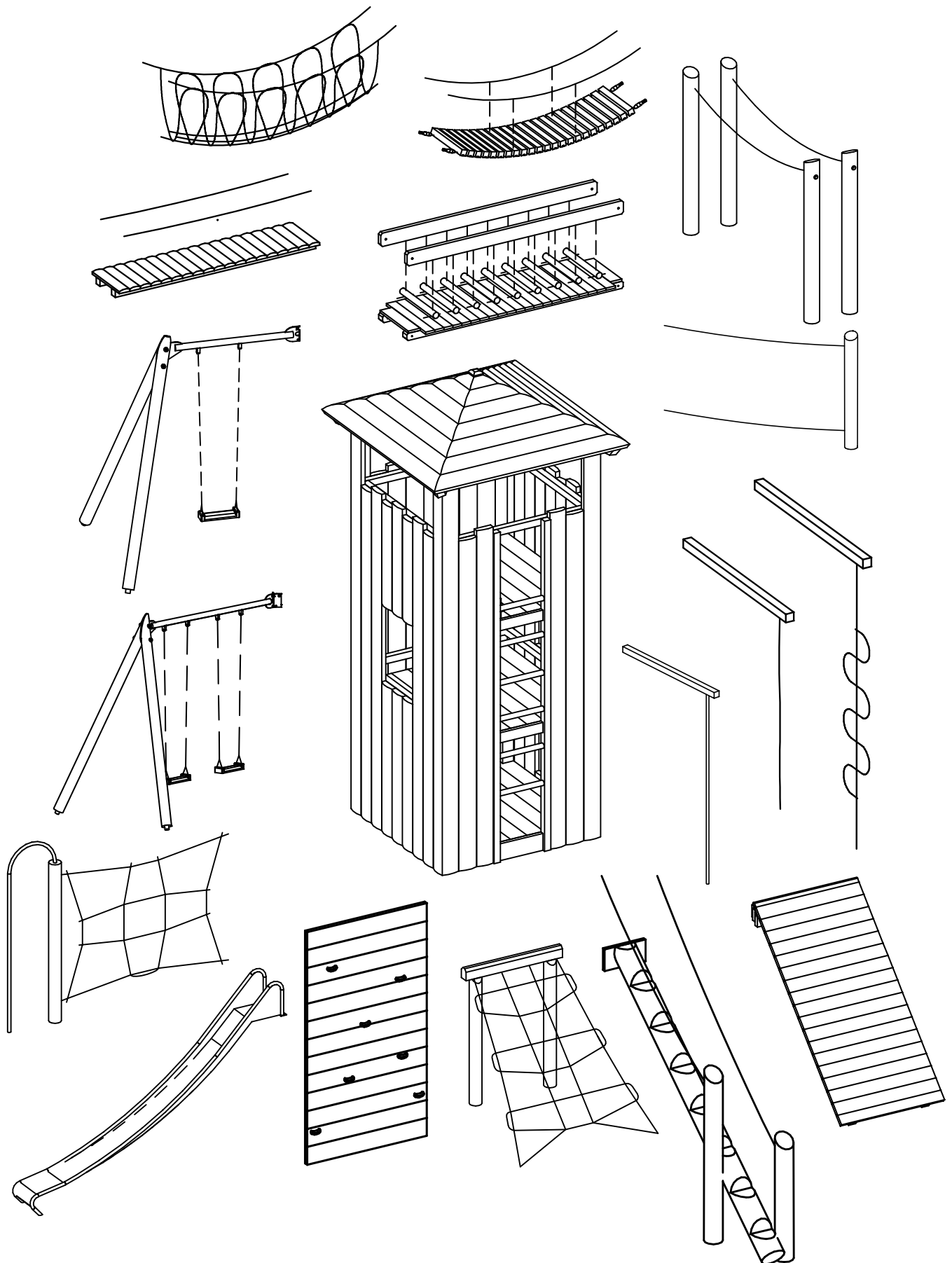
Order No. 3.69511
Climbing Trunk with handrail



P. 121, 123ff.

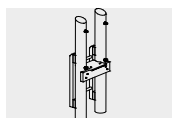
Order No. 3.63020
Stainless steel slide

**Standard elements for combination
with tower with roof 2.00 m
Order No. L3.20600**



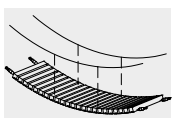
Standard elements for combination with tower with roof 2.00 m

SUSPENSION BRIDGE ELEMENTS



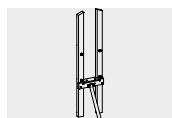
P. 51

Order No. L3.66030
End Frame with Ladder



P. 51

Order No. 3.66090ff.
Running Boards with chain handrails (3, 4, 5 m)



P. 56

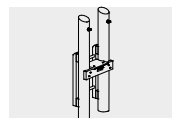
Order No. 3.66005
Support Frame for Suspension Bridge (attachment height 1 m)



P. 56

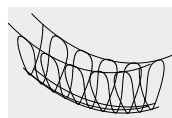
Order No. 3.66065
Support Frame for Suspension Bridge (attachment height 2 m)

ROPE BRIDGE ELEMENTS



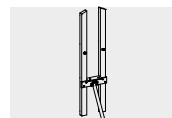
P. 52

Order No. L3.66520
End Frame with Ladder



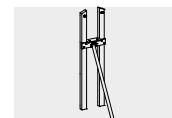
P. 52

Order No. 3.66530ff.
Rope Bridge (2, 3, 4, 5 m)



P. 56

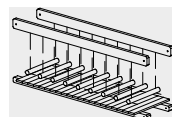
Order No. 3.66593
Support Frame for Rope Bridge (attachment height 1 m)



P. 56

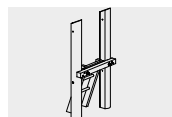
Order No. 3.66613
Support Frame for Rope Bridge (attachment height 2 m)

CHAIN PATH ELEMENTS



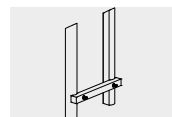
P. 53

Order No. 3.66260ff.
Walkway with / without safety board for Chain (3, 4 m)



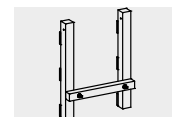
P. 53

Order No. L3.66220
End Frame with Ladder



P. 53

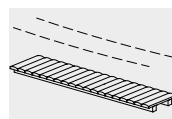
Order No. 3.66232
End Frame for Inclined Chain Path without safety board



P. 55

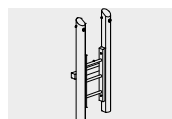
Order No. 3.66240
Support Frame for Chain Path

BRIDGE ELEMENTS



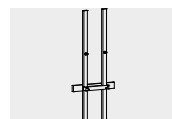
P. 54

Order No. 3.66300ff.
Bridge without / with handrails (2, 3, 4, 5 m)



P. 54

Order No. 3.66388
End Frame for ramp with Ladder



P. 55

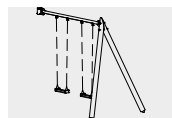
Order No. 3.66350ff.
Support Frame for Bridge (attachment height 1, 2 m)

MISCELLANEOUS ELEMENTS



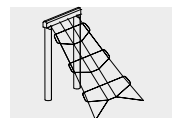
P. 49

Order No. 3.19032
High Swing special



P. 49

Order No. 3.19042
High Twin Swing special



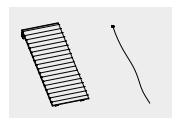
P. 50

Order No. L3.69103
Inclined Climbing Net



P. 50

Order No. L3.69350
Vertical Climbing Net with firemen's pole



P. 57

Order No. 3.67511
Inclined Wall
Order No. 3.69440
Holding Rope for Inclined Wall



P. 58

Order No. 3.69410
Rope Climbing Ladder with beam



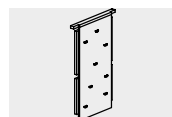
P. 58

Order No. 3.69450
Swing rope with beam



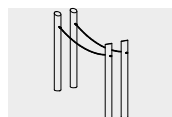
P. 58

Order No. 3.69460
Straight firemen's pole with beam



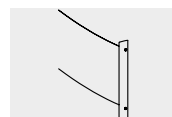
P. 58

Order No. 3.67502
Climbing Wall



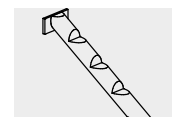
P. 59

Order No. L3.68500
Double Hanging Rope



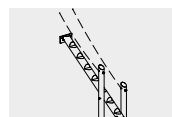
P. 59

Order No. L3.69010
Balancing Rope with Holding Rope



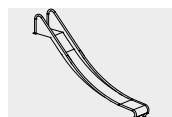
P. 60

Order No. 3.69502
Climbing Trunk (attachment height 1 m)



P. 60

Order No. 3.69521
Climbing Trunk with handrail (attachment height 2 m)

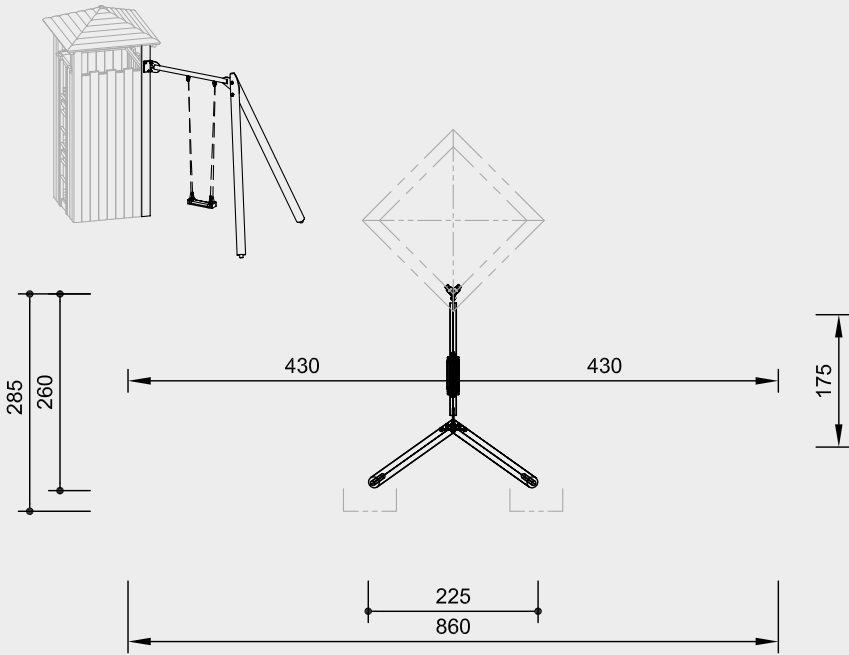


P. 122ff.

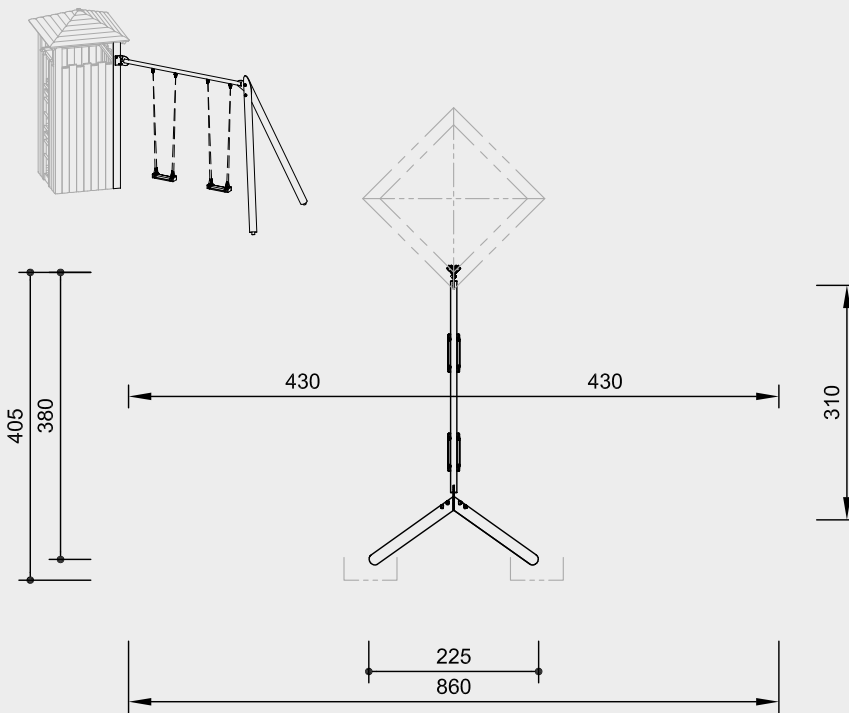
Order No. 3.63420
Stainless steel slide (attachment height 2 m)

Order No. 3.19032
High Swing special
 for attachment to corner on
 Square Tower with roof 2.00 m (**Order No. L3.20600**)

Safety distance —————→
 Device dimensions —————●
 Functional distance —————|



Order No. 3.19042
High Twin Swing special
 for attachment to corner on
 Square Tower with roof 2.00 m (**Order No. L3.20600**)



Scale 1:100

Safety check according to DIN EN 1176

Technical information

For a description of the materials used for the attachment swings, please refer to Movement > Swinging.

Dimensions

(small deviations possible)

Order No. 3.19032
High Swing special

Height	3.00 m
Vertical clearance	2.80 m
Length	2.60 m
Width	2.25 m
Weight	130 kg

Order No. 3.19042
High Twin Swing special

Height	3.00 m
Vertical clearance	2.80 m
Length	3.80 m
Width	2.25 m
Weight	150 kg

Components

- Order No. 3.19032**
- 2 Stand posts with steel feet
 - 1 Cross beam made of steel with joints
 - 1 Swing seat with chains

- Order No. 3.19042**
- 2 Stand posts with steel feet
 - 1 Cross beam made of steel with joints
 - 2 Swing seats with chains

Installation information

Surfacing requirements corresponding to a fall height of ≤ 2.00 m (please refer to price list for more detailed information)

Foundations
 2 items 60 x 70 x 40 cm
 Excavation depth 60 cm

Attention:
Exact measurements may vary; for all installation dimensions refer to current assembly instructions.
 Technical changes reserved.

© Richter Spielgeräte GmbH 06/22

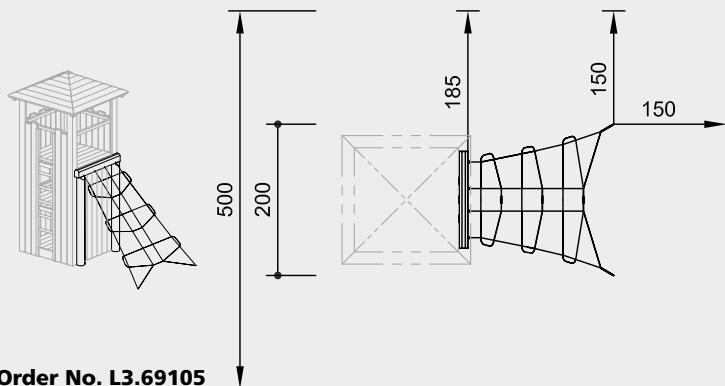


3.19032

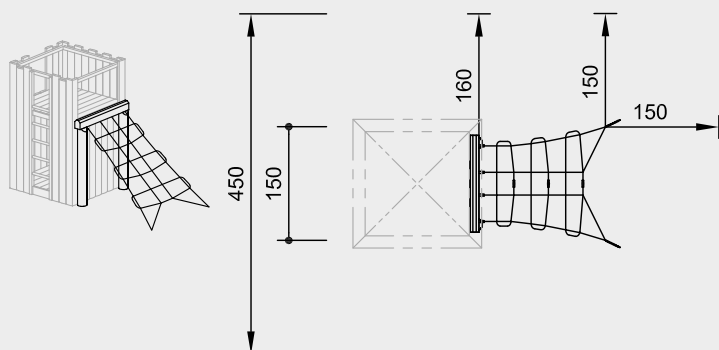


3.19042

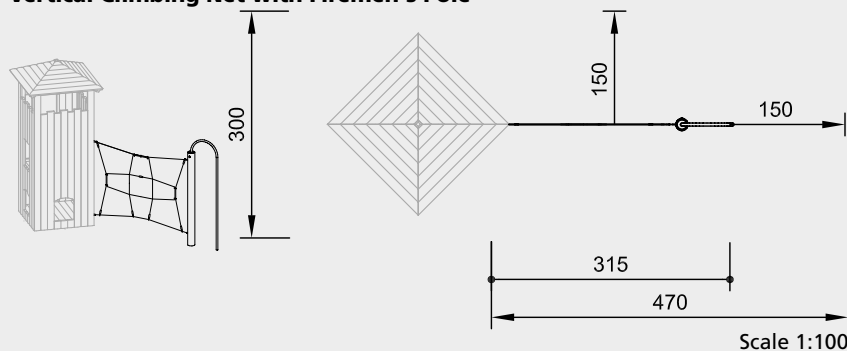
Order No. L3.69103
Inclined Climbing Net
 for attachment on Square Tower with Roof 2.00 m (Order No. L3.20600)



Order No. L3.69105
Inclined Climbing Net
 for attachment on Square Tower 1.50 m (Order No. L3.20500)



Order No. L3.69350
Vertical Climbing Net with Fireman's Pole



Safety check according to DIN EN 1176

Components

Order No. L3.69103 / L3.69105

- 1 Inclined net with cross beam, anchoring to the ground with chains and tensioning levers
- 2 Stand posts with steel feet

Order No. L3.69350

- 1 Vertical net with 1 stand post with steel foot
- 1 Bent fireman's pole

Installation information

Surfacing requirements corresponding to a fall height of
Order No. L3.69103 ≤ 2.00 m
Order No. L3.69105 / L3.69350 ≤ 1.50 m
 (please refer to price list for more detailed information)

Foundations

Order No. L3.69103 / L3.69105

- 2 items 50 x 50 x 40 cm
- Excavation depth 80 cm
- 2 items 70 x 55 x 60 cm
- Excavation depth 80 cm

Order No. L3.69350

- 1 item 60 x 60 x 60 cm
- Excavation depth 80 cm
- 1 item 55 x 40 x 30 cm
- Excavation depth 50 cm

Technical information

Wooden parts made of non-impregnated mountain larch

Richter Hercules type rope

Richter Hercules type rope, a combination of galvanised six-strand steel cables and polyester yarn, diameter > 20 mm, laid and glued with very good abrasion resistance, strong sheathing even in the case of damage by puncturing



Aluminium rope pressing

Aluminium rope pressing, cylindrically pressed, with rounded ends



S-connectors

S-connectors Ø 8.1 mm, made of high-quality stainless steel, rounded



Rope connection fixed

Fixed rope connection without dangerous openings. Screw connection adjustable and countersunk in the wood



Ground anchor

All parts used for anchoring to the ground are made of hot-dip galvanised steel or stainless steel



Order No. L3.69103 / L3.69105
Inclined Climbing Net

As above, but in addition with

Core-free

Sawn-timbers core-free, thus decreasing occurrences of cracking and undesired changes in shape



Order No. L3.69350
Vertical Climbing Net

As above, but in addition with

Peeled white

Palisades peeled white means that bark, cambium and sapwood are removed, the natural shape of the trunk is preserved and can be experienced



For more detailed explanation of the quality characteristics see price list.

Fireman's pole made of stainless steel, Ø 42 mm

Dimensions

(small deviations possible)

Order No. L3.69103
Inclined Climbing Net

Net 1.00 x 2.65 m

Order No. L3.69105
Inclined Climbing Net

Net 1.00 x 2.20 m
 Weight 180 / 155 kg

Order No. L3.69350
Vertical Climbing Net

Height of net 2.00 m
 Net size 1.75 x 2.50 m
 Width 3.20 m
 Weight 70 kg

Attention:

Exact measurements may vary; for all installation dimensions refer to current assembly instructions.

Technical changes reserved.



L3.69103

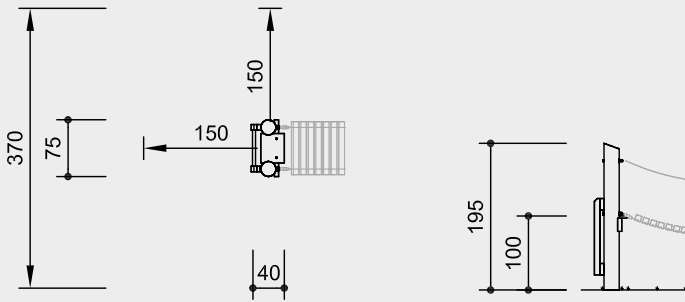


L3.69105



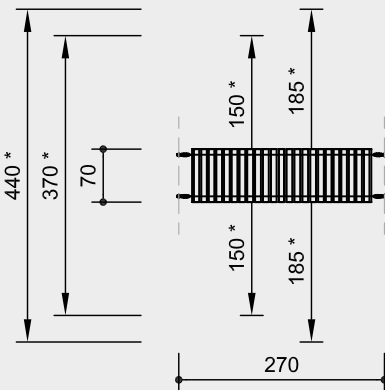
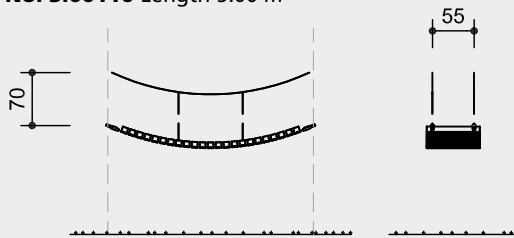
L3.69350

Order No. L3.66030
End Frame with Ladder



Order No. 3.66090 - 3.66110
Running Boards for Suspension Bridges with chain handrails

Order No. 3.66090 Length 3.00 m
Order No. 3.66100 Length 4.00 m
Order No. 3.66110 Length 5.00 m



* Depending on the height of installation, the safety distances will increase from a minimum of 1.50 m up to 1.85 m.

Scale 1:100

Safety check according to DIN EN 1176

Components

Order No. L3.66030

1 End frame of round timbers with steel feet and ladder for towers / platforms

Order No. 3.66090 - 3.66110

1 Walkway with chain handrails and distance battens

Dimensions

(small deviations possible)

Order No. L3.66030

Weight 100 kg
Order No. 3.66090 / 3.66100 / 3.66110
 Walkway length 3.00 / 4.00 / 5.00 m
 Walkway width 0.70 m
 Running boards 75 x 75 mm
 Weight 50 / 65 / 80 kg

Installation information

Surfacing requirements depends on the installation conditions (please refer to price list for more detailed information)

Foundations

Order No. L3.66030
End Frame with Ladder
 1 item 125 x 120 x 60 cm
 Excavation depth 80 cm

Attention:

Exact measurements may vary; for all installation dimensions refer to current assembly instructions.
 Technical changes reserved.

For more detailed explanation of the quality characteristics see price list.

Technical information

Order No. L3.66030

Equipment made of mountain larch

Peeled white

Palisades peeled white means that bark, cambium and sapwood are removed, the natural shape of the trunk is preserved and can be experienced



Bevel cut

Vertical stand posts with bevelled end grain section as constructive wood preservation measure



Hardwood rungs

Climbing rungs made of hardwood (ash) Ø 4.2 cm, milled and mortised, secured against twisting, easy to grip and not cold for children to touch



Plywood

Plywood made of mountain larch, three-layer (3 cm) or five-layer (4 cm). High dimensional stability, waterproof, glued according to DIN EN 13353:2011



Profiled washer

Profiled washer for covering protruding screw heads according to standard, improved pressure distribution and protection against water. Impedes loosening the bolt



Adjustable

Adjustable two-piece bolt connection, easy to maintain, no projecting threads



Ground anchor

All parts used for anchoring to the ground are made of hot-dip galvanised steel or stainless steel



Order No. 3.66090 - 3.66110

Running boards made of mountain larch

Core-free

Sawn-timbers core-free, thus decreasing occurrences of cracking and undesired changes in shape



Rope connection with joint

Close-fitting connection with joint, without dangerous openings, with sintered bush and adjustable screw connection



Sintered bush

For all reciprocating movements we use sintered plain bearings which are self-lubricating in use and can easily be exchanged if necessary

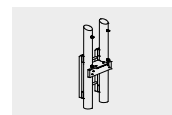


Stainless Chains

Chains made of steel with high corrosion resistance. Short-linked, without eyelets on the connecting parts, easily replaceable and simple shortening



Carrying rope Ø 18 mm of Hercules type with steel core, suspended on drop-forged joints

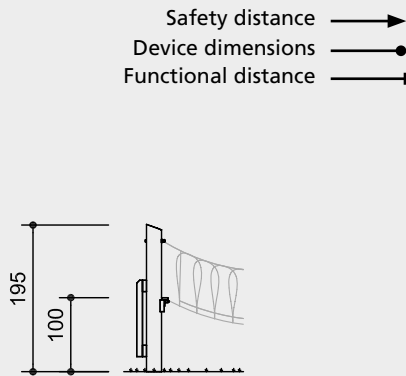
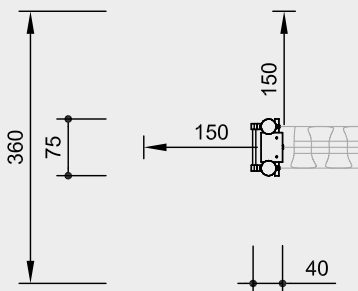


L3.66030



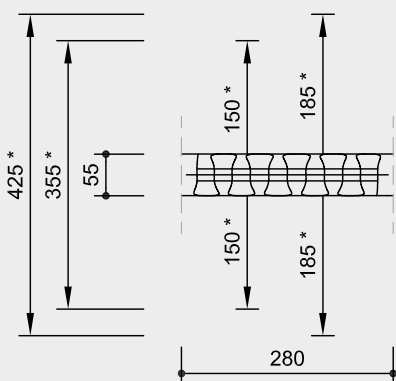
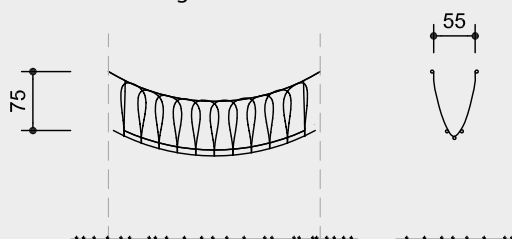
3.66090 - 3.66110

Order No. L3.66520
End Frame with Ladder



Order No. 3.66530 - 3.66570
Rope Bridge

- Order No. 3.66530** Length 2.00 m
- Order No. 3.66550** Length 3.00 m
- Order No. 3.66560** Length 4.00 m
- Order No. 3.66570** Length 5.00 m



* Depending on the height of installation, the safety distances will increase from a minimum of 1.50 m up to 1.85 m.

Scale 1:100

Safety check according to DIN EN 1176

Components

Order No. L3.66520

1 End frame of round timbers with steel feet and ladder for towers / platforms

Order No. 3.66530 - 3.66570

1 Rope bridge with distance battens

Dimensions

(small deviations possible)

Order No. L3.66520

Weight 100 kg

Order No.

3.66530 / 3.66550 / 3.66560 / 3.66570

Walkway length 2.00 / 3.00 / 4.00 / 5.00 m

Walkway width 0.55 m

Weight 27 / 40 / 53 / 66 kg

Installation information

Surfacing requirements corresponding to a fall height of depends on the installation conditions (please refer to price list for more detailed information)

Foundations

Order No. L3.66520
End Frame with Ladder

1 item 125 x 120 x 60 cm
Excavation depth 80 cm

Attention:

Exact measurements may vary; for all installation dimensions refer to current assembly instructions.

Technical changes reserved.

Technical information

Order No. L3.66520

Equipment made of mountain larch

Peeled white

Palisades peeled white means that bark, cambium and sapwood are removed, the natural shape of the trunk is preserved and can be experienced



Bevel cut

Vertical stand posts with bevelled end grain section as constructive wood preservation measure



Hardwood rungs

Climbing rungs made of hardwood (ash) Ø 4.2 cm, milled and mortised, secured against twisting, easy to grip and not cold for children to touch



Plywood

Plywood made of mountain larch, three-layer (3 cm) or five-layer (4 cm). High dimensional stability, waterproof, glued according to DIN EN 13353:2011



Profiled washer

Profiled washer for covering protruding screw heads according to standard, improved pressure distribution and protection against water. Impedes loosening the bolt



Adjustable

Adjustable two-piece bolt connection, easy to maintain, no projecting threads



Ground anchor

All parts used for anchoring to the ground are made of hot-dip galvanised steel or stainless steel



Order No. 3.66530 - 3.66570

Richter Hercules type rope

Richter Hercules type rope, a combination of galvanised six-strand steel cables and polyester yarn, diameter > 20 mm, laid and glued with very good abrasion resistance, strong sheathing even in the case of damage by puncturing



Aluminium rope pressing

Aluminium rope pressing, cylindrically pressed, with rounded ends



S-connectors

S-connectors Ø 8.1 mm, made of high-quality stainless steel, rounded



Rope connection with joint

Close-fitting connection with joint, without dangerous openings, with sintered bush and adjustable screw connection

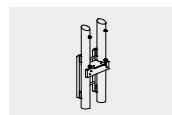


Sintered bush

For all reciprocating movements we use sintered plain bearings which are self-lubricating in use and can easily be exchanged if necessary



For more detailed explanation of the quality characteristics see price list.



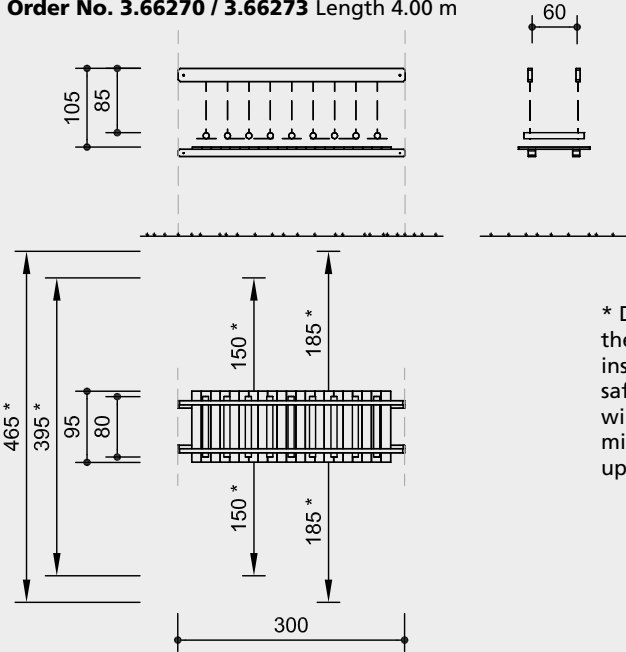
L3.66520



3.66530 - 3.66570

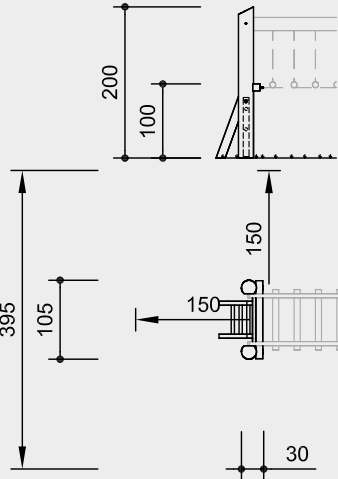
**Running Board Timbers
for Chain Path with / without safety board**
Order No. 3.66260 / 3.66263 Length 3.00 m
Order No. 3.66270 / 3.66273 Length 4.00 m

Safety distance →
Device dimensions ●
Functional distance —

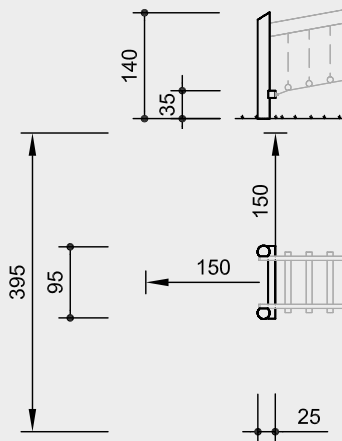


* Depending on the height of installation, the safety distances will increase from a minimum of 1.50 m up to 1.85 m.

**Order No. L3.66220
End Frame with Ladder**



**Order No. 3.66232
End Frame for Inclined Chain Path
without Safety Floor**



Scale 1:100

Safety check according to DIN EN 1176

Components

Order No. 3.66260 / 3.66270

- 2 Handrails with running board timbers and chains
- 1 Safety board

Order No. 3.66263 / 3.66273

- 2 Handrails with running board timbers and chains

Order No. L3.66220

- 1 End frame made of round timber with steel feet and ladder for towers / platforms

Order No. 3.66232

- 1 End frame made of round timber with steel feet for inclined chain path for towers / platforms

Installation information

Surfacing requirements corresponding to a fall height of depends on the installation conditions (please refer to price list for more detailed information)

Foundations

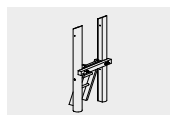
**Order No. L3.66220
End Frame with Ladder**

- 2 items 60 x 60 x 60
- Excavation depth 80 cm
- 1 item 60 x 30 x 30
- Excavation depth 50 cm

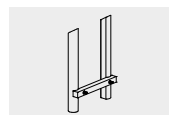
**Order No. 3.66232
End Frame for Inclined Chain Path**

- 2 items 60 x 60 x 60
- Excavation depth 80 cm

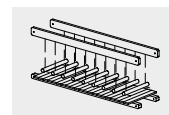
Attention:
Exact measurements may vary; for all installation dimensions refer to current assembly instructions.
Technical changes reserved.



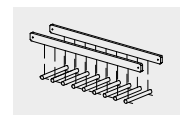
L3.66220



3.66232



3.66260 / 3.66270



3.66263 / 3.66273

Technische Angaben

Equipment made of mountain larch

Order No.
3.66260 / 3.66263 / 3.66270 / 3.66273

Core-free

Sawn-timbers core-free, thus decreasing occurrences of cracking and undesired changes in shape



Chains

Chains made of hot-dip galvanized steel (1.4301 / 1.4571 at extra charge) welded before galvanising, short-linked, without eyelets on the connecting parts, easy to exchange and shorten



Order No. L3.66220 / 3.66232

Peeled white

Palisades peeled white means that bark, cambium and sapwood are removed, the natural shape of the trunk is preserved and can be experienced



Bevel cut

Vertical stand posts with bevelled end grain section as constructive wood preservation measure



Core-free

Sawn-timbers core-free, thus decreasing occurrences of cracking and undesired changes in shape



Profiled washer

Profiled washer for covering protruding screw heads according to standard, improved pressure distribution and protection against water. Impedes loosening the bolt



Adjustable

Adjustable two-piece bolt connection, easy to maintain, no projecting threads



Ground anchor

All parts used for anchoring to the ground are made of hot-dip galvanized steel or stainless steel



Order No. L3.66220

As above, but in addition with

Hardwood rungs

Climbing rungs made of hardwood (ash) Ø 4.2 cm, milled and mortised, secured against twisting, easy to grip and not cold for children to touch



For more detailed explanation of the quality characteristics see price list.

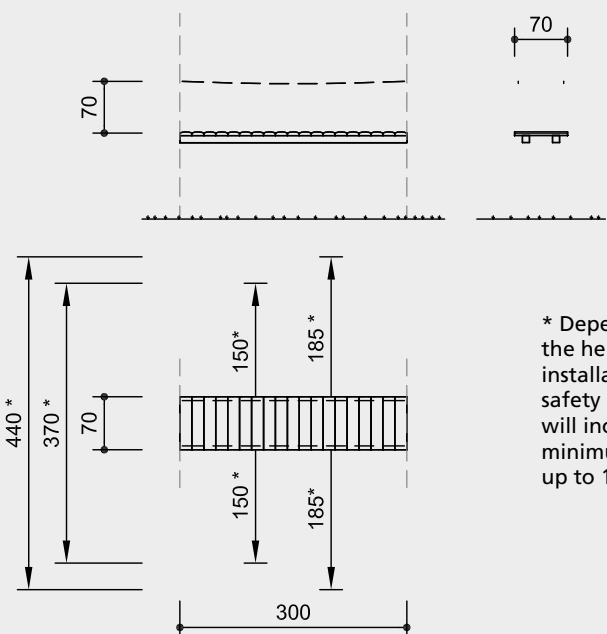
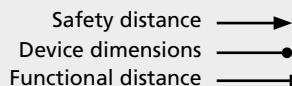
Dimensions

(small deviations possible)

Handrail length	3.00 / 4.00 m
Width	0.95 m
Running boards diameter	80 mm
Weight	120 / 160 kg
End frame with ladder	100 kg
End frame for inclined chain path	70 kg

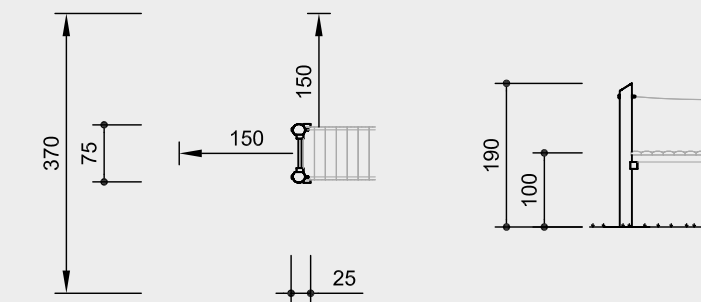
Rigid Bridge with chain handrail

- Order No. 3.66420** Length 2.00 m
- Order No. 3.66320** Length 3.00 m
- Order No. 3.66330** Length 4.00 m
- Order No. 3.66340** Length 5.00 m



* Depending on the height of installation, the safety distances will increase from a minimum of 1.50 m up to 1.85 m.

Order No. 3.66388
End Frame for Ramp with Ladder



Scale 1:100

Safety check according to DIN EN 1176

Components

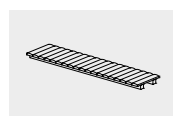
- Order No. 3.66300**
1 Rigid bridge, Length 3.00 m
- Order No. 3.66420 / 3.66320 / 3.66330 / 3.66340**
1 Rigid bridge with chain handrails, Length 2.00 / 3.00 / 4.00 / 5.00 m
- Order No. 3.66388**
1 End Frame for Ramp made of round timbers with steel feet and ladder for towers / platforms

Installation information

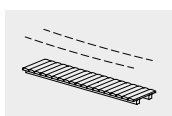
Surfacing requirements corresponding to a fall height of depends on the installation conditions (please refer to price list for more detailed information)

Foundations
Order No. 3.66388
End Frame for Ramp with Ladder
 1 item 60 x 120 x 50 cm
 Excavation depth 80 cm

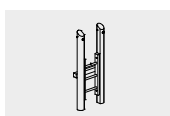
Attention:
Exact measurements may vary; for all installation dimensions refer to current assembly instructions.
 Technical changes reserved.



3.66300



3.66320 - 3.66340 / 3.66420



3.66388

Technische Angaben

Equipment made of mountain larch

Order No. 3.66300

Core-free
 Sawn-timbers core-free, thus decreasing occurrences of cracking and undesired changes in shape



Claddings
 Claddings made of mountain larch (4 – 5 cm). Peeled white by hand, natural tree surface remains tangible and perceptible



Order No. 3.66420 / 3.66320 / 3.66330 / 3.66340
 As above, but in addition with

Chains
 Chains made of hot-dip galvanized steel (1.4301 / 1.4571 at extra charge) welded before galvanising, short-linked, without eyelets on the connecting parts, easy to exchange and shorten



Order No. 3.66388

Peeled white
 Palisades peeled white means that bark, cambium and sapwood are removed, the natural shape of the trunk is preserved and can be experienced



Bevel cut
 Vertical stand posts with bevelled end grain section as constructive wood preservation measure



Core-free
 Sawn-timbers core-free, thus decreasing occurrences of cracking and undesired changes in shape



Hardwood rungs
 Climbing rungs made of hardwood (ash) Ø 4.2 cm, milled and mortised, secured against twisting, easy to grip and not cold for children to touch



Profiled washer
 Profiled washer for covering protruding screw heads according to standard, improved pressure distribution and protection against water. Impedes loosening the bolt



Ground anchor
 All parts used for anchoring to the ground are made of hot-dip galvanised steel or stainless steel



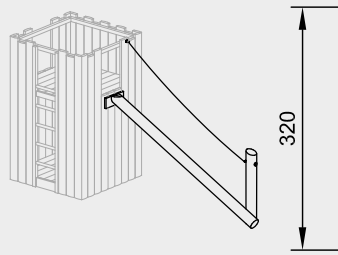
For more detailed explanation of the quality characteristics see price list.

Dimensions
 (small deviations possible)

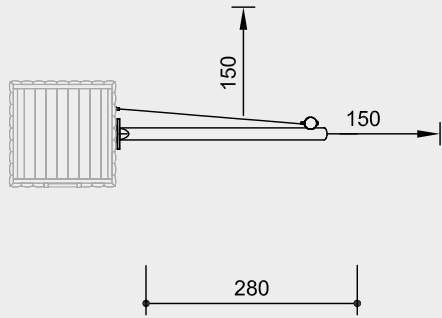
Order No. 3.66420 / 3.66320 / 3.66330 / 3.66340

Length of bridge	2.00 / 3.00 / 4.00 / 5.00 m
Width	0.70 m
Weight	80 / 110 / 146 / 183 kg
End frame	50 kg

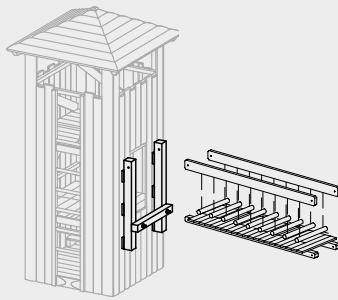
Order No. 3.68301
Inclined Balancing Beam
 for attachment to Tower 1.50 m



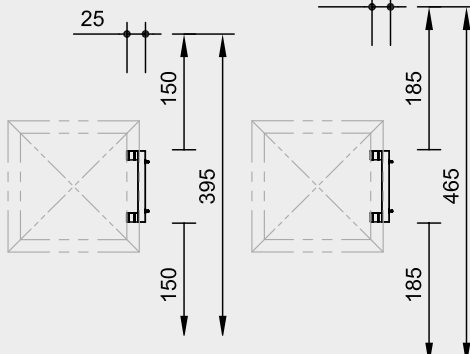
Safety distance →
 Device dimensions ●
 Functional distance —



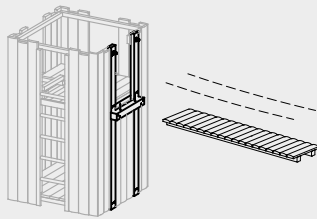
Order No. 3.66240
Support Frame for Chain Path



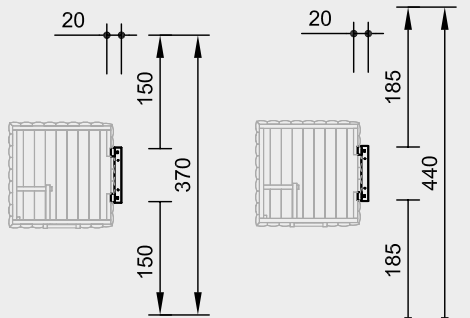
Installation height 1.00 m / 1.50 m Installation height 2.00 m



Order No. 3.66350 / 3.66352 / 3.66351
Support Frame for Bridges
 Installation height 1.00 m / 1.50 m / 2.00 m



Installation height 1.00 m / 1.50 m Installation height 2.00 m



Scale 1:100

Safety check according to DIN EN 1176

Installation information

Order No. 3.68301
Inclined Balancing Beam

- 1 Inclined balancing beam
- 1 Stand post with chain handrail and steel foot

Order No. 3.66240 / 3.66350 - 3.66352
Support Frames

- 1 Support Frame each

Components

Surfacing requirements corresponding to a fall height of **Order No. 3.68301** ≤ 1.50 m **Order No. 3.66240 / 3.66350 - 3.66352** determined by installation height (please refer to price list for more detailed information)

Foundations
Order No. 3.68301
 1 item 60 x 60 x 50 cm
 Excavation depth 80 cm

Attention:
Exact measurements may vary;
for all installation dimensions refer to current assembly instructions.
 Technical changes reserved.

Technical information

Equipment made of non-impregnated mountain larch

Order No. 3.68301
Inclined Balancing Beam

Peeled white

Palisades peeled white means that bark, cambium and sapwood are removed, the natural shape of the trunk is preserved and can be experienced



Bevel cut

Vertical stand posts with bevelled end grain section as constructive wood preservation measure



Ground anchor

All parts used for anchoring to the ground are made of hot-dip galvanised steel or stainless steel



Chains

Chains made of hot-dip galvanized steel (1.4301 / 1.4571 at extra charge) welded before galvanising, short-linked, without eyelets on the connecting parts, easy to exchange and shorten



Order No. 3.66240 / 3.66350 / 3.66352 / 3.66351
Support Frames

Core-free

Sawn-timbers core-free, thus decreasing occurrences of cracking and undesired changes in shape



Profiled washer

Profiled washer for covering protruding screw heads according to standard, improved pressure distribution and protection against water. Impedes loosening the bolt



Adjustable

Adjustable two-piece bolt connection, easy to maintain, no projecting threads



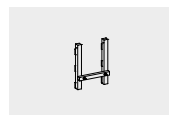
For more detailed explanation of the quality characteristics see price list.

Dimensions

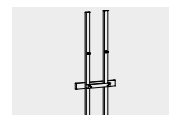
(small deviations possible)

Order No. 3.68301
Inclined Balancing Beam

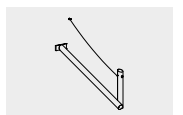
Length 3.00 m
 Weight 100 kg



3.66240



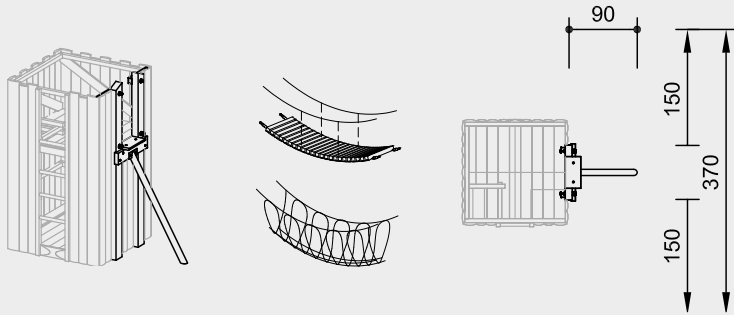
3.66350 - 3.66352



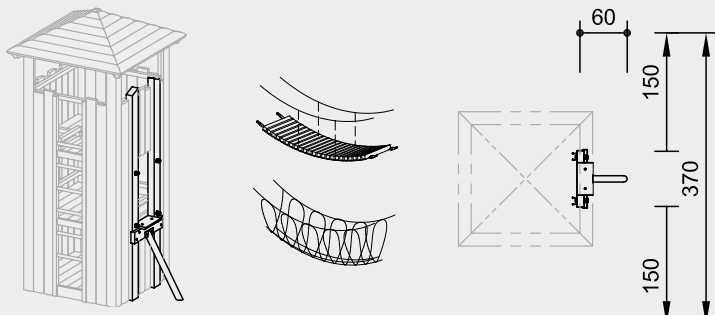
3.68301

Order No. 3.66045
Support Frame for Suspension Bridge on Tower
Order No. 3.66603
Support Frame for Rope Bridge on Tower
 for attachment on Square Tower 1.50 m (**Order No. L3.20500**)

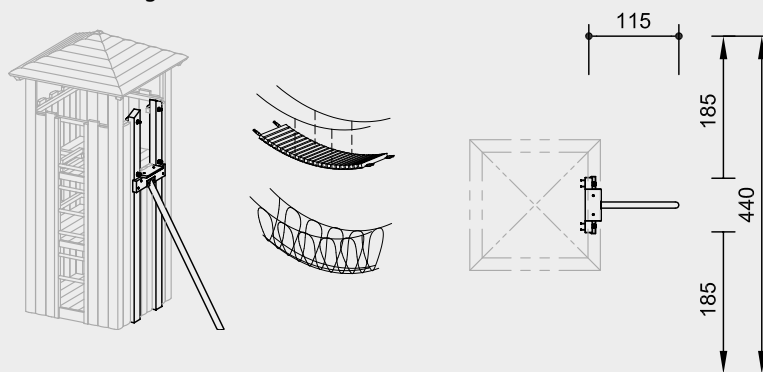
Safety distance →
 Device dimensions —●—
 Functional distance —|—



Order No. 3.66005
Support Frame for Suspension Bridge
Order No. 3.66593
Support Frame for Rope Bridge
 for attachment on Square Tower with Roof 2.00 m (**Order No. L3.20600**)
 Installation height 1.00 m



Order No. 3.66065
Support Frame for Suspension Bridge
Order No. 3.66613
Support Frame for Rope Bridge
 for attachment on Square Tower with Roof 2.00 m (**Order No. L3.20600**)
 Installation height 2.00 m



Scale 1:100

Safety check according to DIN EN 1176

Technical information

Equipment made of non-impregnated mountain larch

Core-free

Sawn-timbers core-free, thus decreasing occurrences of cracking and undesired changes in shape



Profiled washer

Profiled washer for covering protruding screw heads according to standard, improved pressure distribution and protection against water. Impedes loosening the bolt



Ground anchor

All parts used for anchoring to the ground are made of hot-dip galvanised steel or stainless steel



For more detailed explanation of the quality characteristics see price list.

Metal braces hot-dip galvanised, Ø 83 mm

Components

1 Frame each

Installation information

Surfacing requirements corresponding to a fall height determined by installation height (please refer to price list for more detailed information)

Foundations

For each support frame

1 item 60 x 60 x 40 cm
 Excavation depth 60 cm

Attention:

Exact measurements may vary; for all installation dimensions refer to current assembly instructions.

Technical changes reserved.



3.66045 / 3.66603

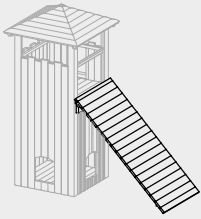


3.66005 / 3.66593

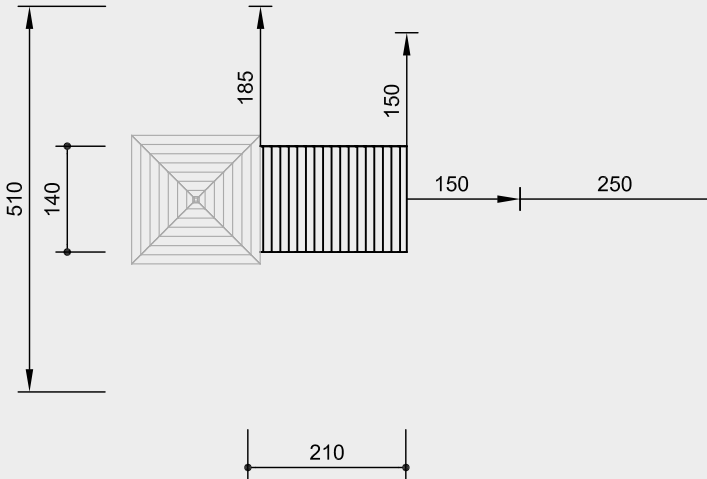
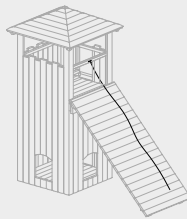


3.66065 / 3.66613

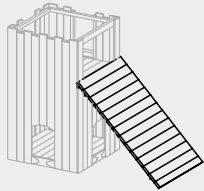
Order No. 3.67511
Inclined Wall
 for attachment to Tower
 with roof 2.00 m (**Order No. L3.20600**)



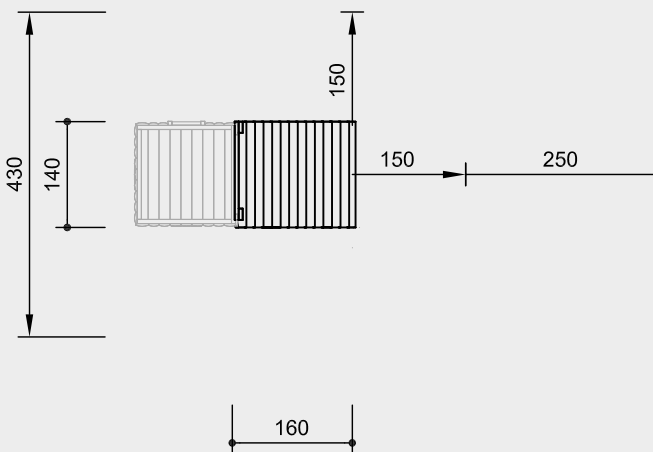
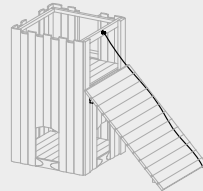
Order No. 3.69440
Holding Rope
 for Inclined Wall
 with installation height 2.00 m



Order No. 3.67514
Inclined Wall
 for attachment to
 Tower 1.50 m (**Order No. L3.20500**)



Order No. 3.69470
Holding Rope
 for Inclined Wall
 with installation height 1.50 m



Scale 1:100

Safety check according to DIN EN 1176

Attention:
 Exact measurements may vary;
 for all installation dimensions refer to
 current assembly instructions.
 Technical changes reserved.

Technical information

Equipment made of non-impregnated mountain larch

Core-free
 Sawn-timbers core-free, thus decreasing occurrences of cracking and undesired changes in shape



Tongue and groove
 Tongue and groove planks made of 4 cm solid wood, highly resilient, no trickling of dust / sand, protection against direct rain



Ground anchor
 All parts used for anchoring to the ground are made of hot-dip galvanised steel or stainless steel



Order No. 3.69440 / 3.69470
Holding Ropes

Richter Hercules type rope
 Richter Hercules type rope, a combination of galvanised six-strand steel cables and polyester yarn, diameter > 20 mm, laid and glued with very good abrasion resistance, strong sheathing even in the case of damage by puncturing



Rotating rope connection
 Rotatable fitting without dangerous openings, with sintered bush with integrated swivel to ensure the rope untwists



For more detailed explanation of the quality characteristics see price list.

Dimensions
 (small deviations possible)

Order No. 3.67511	
Installation height	2.00 m
Length	2.95 m
Width	1.30 m
Weight	150 kg

Order No. 3.67514	
Installation height	1.50 m
Length	2.25 m
Width	1.30 m
Weight	120 kg

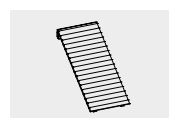
Components

1 Inclined wall with inclination 45° and 2 steel feet

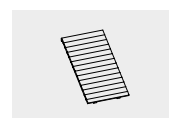
Installation information

Surfacing requirements corresponding to a fall height of
Order No. 3.67511 ≤ 2.00 m
Order No. 3.67514 ≤ 1.50 m
 (please refer to price list for more detailed information)

Foundations
Order No. 3.67511 / 3.67514
 2 items 50 x 50 x 40 cm
 Excavation depth 60 cm



3.67511



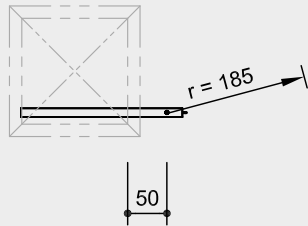
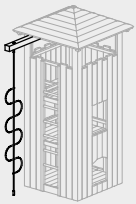
3.67514



3.69440 / 3.69470

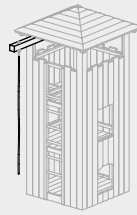
Order No. 3.69410

Climbing Ladder with Beam
for attachment to Tower
with roof 2.00 m (Order No. L3.20600)



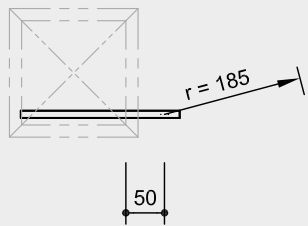
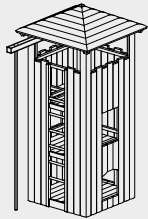
Order No. 3.69450

Swing Rope with Beam
for attachment to Tower
with roof 2.00 m (Order No. L3.20600)



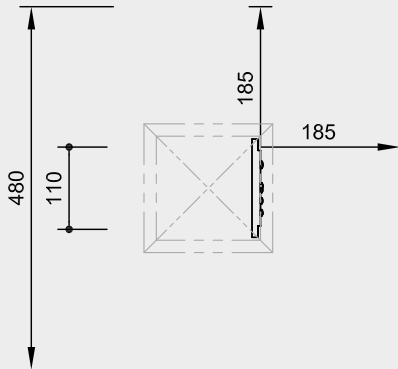
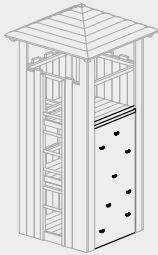
Order No. 3.69460

Firemen's Pole with Beam
for attachment to Tower
with roof 2.00 m (Order No. L3.20600)



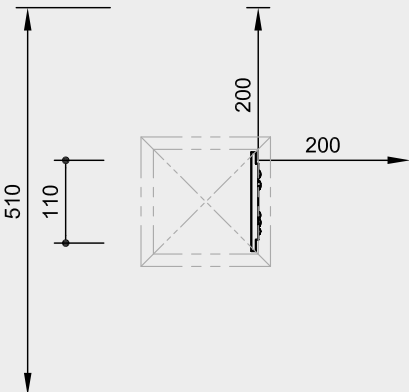
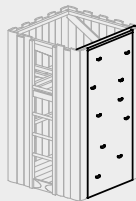
Order No. 3.67502

Climbing Wall
for attachment to Tower
with roof 2.00 m (Order No. L3.20600)



Order No. 3.67504

Climbing Wall
for attachment to Tower
with roof 2.00 m (Order No. L3.20600)



Scale 1:100

Safety check according to DIN EN 1176

Attention:

**Exact measurements may vary;
for all installation dimensions refer
to current assembly instructions.**
Technical changes reserved.



3.69410



3.69450



3.69460



3.67502 / 3.67504

Technical information

Wooden parts made of non-impregnated mountain larch

Core-free

Sawn-timbers core-free, thus decreasing occurrences of cracking and undesired changes in shape



Order No. 3.69410 / 3.69450

Richter Hercules type rope

Richter Hercules type rope, a combination of galvanised six-strand steel cables and polyester yarn, diameter > 20 mm, laid and glued with very good abrasion resistance, strong sheathing even in the case of damage by puncturing



Order No. 3.69460

Firemen's pole made of stainless steel, glass bead blasted, Ø 42 mm

**Order No. 3.67502 / 3.67504
Climbing Wall**

Plywood

Plywood made of mountain larch, three-layer (3 cm) or five-layer (4 cm). High dimensional stability, waterproof, glued according to DIN EN 13353:2011



For more detailed explanation of the quality characteristics see price list.

Professional climbing grips made of a mixture of sand-synthetic resin with 100% safe anti-rotation system against unintended twisting of the grips

Dimensions

(small deviations possible)

Order No. 3.69410 / 3.69450 / 3.69460
Installation height of cross beam 3.10 m

Order No. 3.67502 / 3.67504
Height 2.00 / 2.30 m
Width 1.10 m

Components

Order No. 3.69410 / 3.69450 / 3.69460

1 Cross beam with combination element

Order No. 3.67502

1 Climbing wall, attached with 8 climbing grips

Order No. 3.67504

1 Climbing wall, attached with 10 climbing grips

Installation information

Surfacing requirements corresponding to a fall height of **Order No. 3.69410 - 3.67502** ≤ 2.00 m **Order No. 3.67504** ≤ 3.00 m (please refer to price list for more detailed information)

Foundations

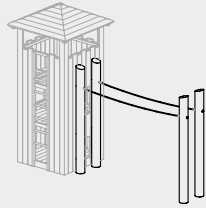
Order No. 3.69410 / 3.69460

1 items 30 x 30 x 30 cm

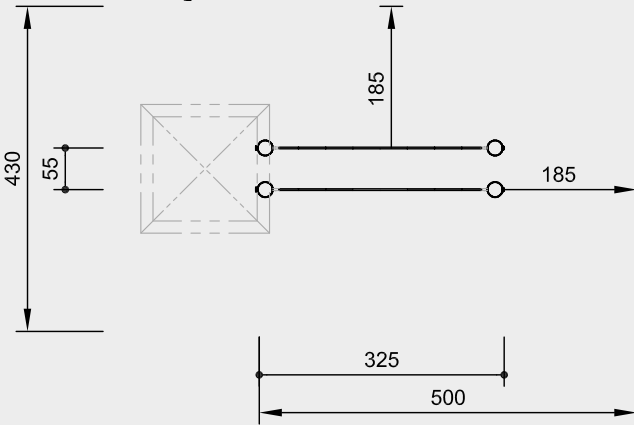
Excavation depth 50 cm

Order No. 3.69450 without foundation

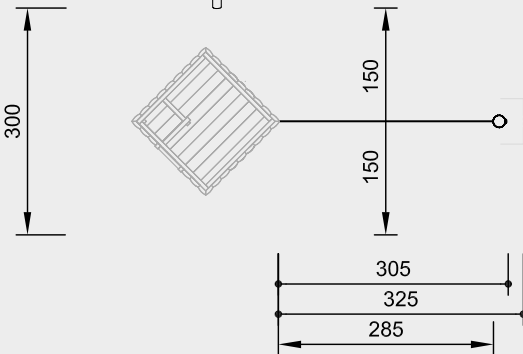
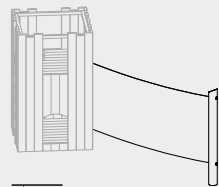
**Order No. L3.68500
Double Hanging Rope**



Safety distance
 Device dimensions
 Functional distance



**Order No. L3.69010
Balancing Rope with Holding Rope**



Scale 1:100

Safety check according to DIN EN 1176

Components

**Order No L3.68500
Double Hanging Rope**
 4 Stand posts with steel feet
 2 Ropes

**Order No L3.69010
Balancing Rope with Holding Rope**
 1 Stand post with steel foot
 2 Ropes

Installation information

Surfacing requirements corresponding to a fall height of
Order No L3.68500 ≤ 2.00 m
Order No L3.69010 ≤ 0.60 m
 (please refer to price list for more detailed information)

Foundations
**Order No L3.68500
Double Hanging Rope**
 2 items 110 x 60 x 60 cm
 Excavation depth 80 cm
**Order No L3.69010
Balancing Rope with Holding Rope**
 1 item 60 x 60 x 50 cm
 Excavation depth 80 cm

Attention:
Exact measurements may vary;
for all installation dimensions refer
to current assembly instructions.
 Technical changes reserved.

Technical information

Equipment made of non-impregnated mountain larch

Peeled white
 Palisades peeled white means that bark, cambium and sapwood are removed, the natural shape of the trunk is preserved and can be experienced



Bevel cut
 Vertical stand posts with bevelled end grain section as constructive wood preservation measure



Richter Hercules type rope
 Richter Hercules type rope, a combination of galvanised six-strand steel cables and polyester yarn, diameter > 20 mm, laid and glued with very good abrasion resistance, strong sheathing even in the case of damage by puncturing



Aluminium rope pressing
 Aluminium rope pressing, cylindrically pressed, with rounded ends



Rope connection fixed
 Fixed rope connection without dangerous openings. Screw connection adjustable and countersunk in the wood



Ground anchor
 All parts used for anchoring to the ground are made of hot-dip galvanised steel or stainless steel

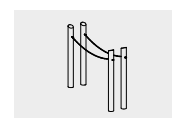


For more detailed explanation of the quality characteristics see price list.

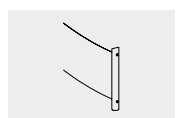
Dimensions
 (small deviations possible)

Order No. L3.68500 Double Hanging Rope	
Height of rope	2.00 m
Length	3.25 m
Width	0.55 m
Weight	180 kg

Order No. L3.69010 Balancing Rope with Holding Rope	
Height of balancing rope	0.40 m
Height of holding rope	1.40 m
Length	3.05 m
Weight	50 kg



L3.68500

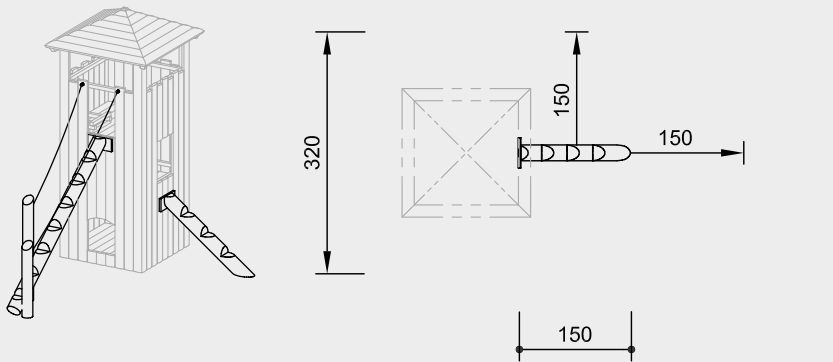


L3.69010

Order No. 3.69502

Climbing Trunk

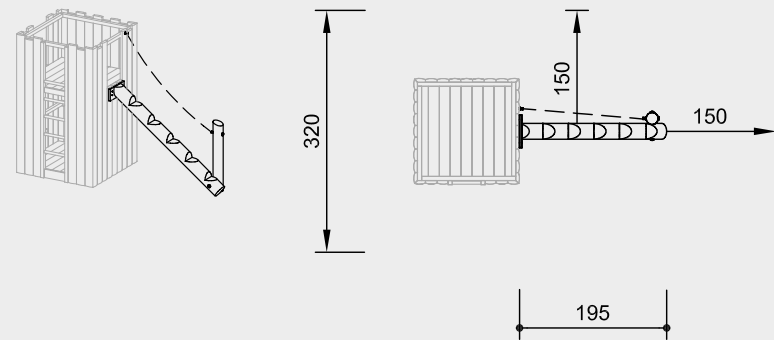
for attachment on Square Tower
with Roof 2.00 m (**Order No. L3.20600**)
Installation height 1.00 m



Order No. 3.69511

Climbing Trunk with handrail on one side

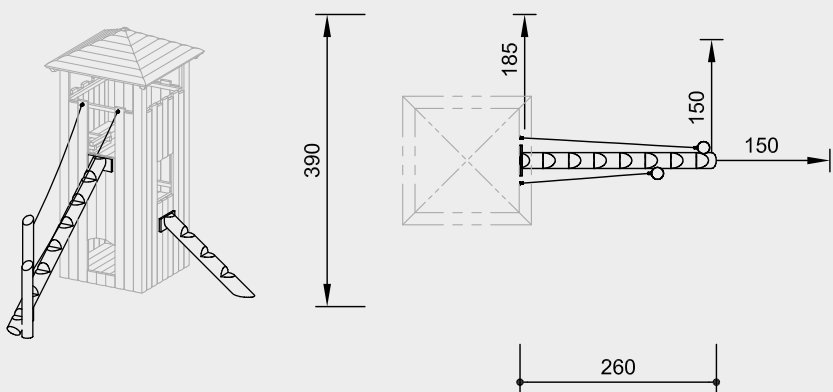
for attachment on Square Tower 1.50 m (**Order No. L3.20500**)



Order No. 3.69521

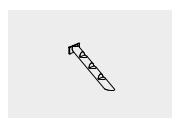
Climbing Trunk with double-sided handrail

for attachment on Square Tower
with Roof 2.00 m (**Order No. L3.20600**)

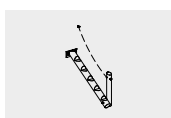


Scale 1:100

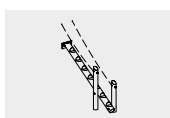
Safety check according to DIN EN 1176



3.69502



3.69511



3.69521

Technical information

Equipment made of non-impregnated mountain larch

Peeled white

Palisades peeled white means that bark, cambium and sapwood are removed, the natural shape of the trunk is preserved and can be experienced



Bevel cut

Vertical stand posts with bevelled end grain section as constructive wood preservation measure



Ground anchor

All parts used for anchoring to the ground are made of hot-dip galvanised steel or stainless steel



Chains

Chains made of hot-dip galvanized steel (1.4301 / 1.4571 at extra charge) welded before galvanising, short-linked, without eyelets on the connecting parts, easy to exchange and shorten



For more detailed explanation of the quality characteristics see price list.

Dimensions

(small deviations possible)

Order No. 3.69502	
Length	2.45 m
Weight	50 kg
Order No. 3.69511	
Length	2.35 m
Weight	100 kg
Order No. 3.69521	
Length	3.15 m
Weight	140 kg

Components

Order No. 3.69502
1 Climbing trunk with steel foot

Order No. 3.69511
1 Climbing trunk
1 Stand post with steel foot and chain handrail

Order No. 3.69521
1 Climbing trunk
2 Stand posts with steel feet and chain handrails

Installation information

Surfacing requirements corresponding to a fall height determined by installation height (please refer to price list for more detailed information)

Foundations

Order No. 3.69502
1 item 40 x 40 x 20 cm
Excavation depth 40 cm

Order No. 3.69511
1 item 60 x 60 x 60 cm
Excavation depth 80 cm

Order No. 3.69521
2 items 60 x 60 x 60 cm
Excavation depth 80 cm

Attention:

Exact measurements may vary; for all installation dimensions refer to current assembly instructions.

Technical changes reserved.



Play value

The Triangular Platform on Stilts is an attractive combination element for playground equipment. Its unusual shape makes the platform a very special eye-catcher. And thanks to a wide range of attachment options, such as slides, climbing nets, sliding poles or ropes, it offers a host of opportunities for play. The triangular net in the lower area invites children to sit or lie down, and the covered playing level promotes role-playing and hide-and-seek games. Moreover, they can enjoy the wonderful view from up there.

Fundamental characteristics

- Child-oriented dimensions according to ergonomic knowledge
- Numerous combination options
- Harmonious design language
- Incentive for playing: possibility to lie down, climbing up high, enjoying the view, role-playing games
- Movement: climbing, sitting, balancing

Recommended for

- School children
- Supervised play areas, such as schools, after-school programmes or similar
- Public play areas without supervision, such as playgrounds, parks or similar
- Leisure areas



Special version with slide and add-on elements

Triangular Platform on Stilts

Planning information

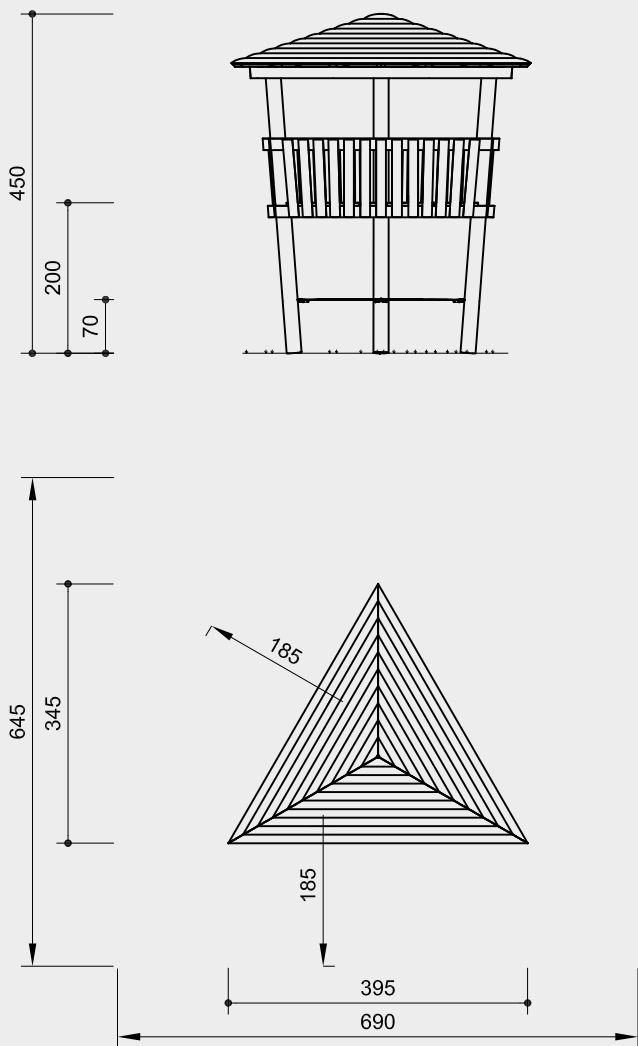
The overall plan must include an access, e.g. via a ladder, rope or bridge (not included in delivery).



3.23500

Order No. 3.23500
Triangular Platform on Stilts

Safety distance →
 Device dimensions ●
 Functional distance —



Scale 1:100

Safety check according to DIN EN 1176

Components

- 1 Platform complete with steel feet, floor and 3 parapets
- 1 Roof 3-ply
- 1 Triangular net

Installation information

Surfacing requirements corresponding to a fall height of ≤ 2.00 m (please refer to price list for more detailed information)

Foundations
 3 items 100 x 100 x 60 cm
 Excavation depth 80 cm

Attention!
Exact measurements may vary;
for all installation dimensions refer to current assembly instructions.
 Technical changes reserved.

Technical information

Equipment made of non-impregnated mountain larch

Peeled white

Palisades peeled white means that bark, cambium and sapwood are removed, the natural shape of the trunk is preserved and can be experienced



Core-free

Sawn-timbers core-free, thus decreasing occurrences of cracking and undesired changes in shape



Claddings

Claddings made of mountain larch (4 – 5 cm). Peeled white by hand, natural tree surface remains tangible and perceptible



Tongue and groove

Tongue and groove planks made of 4 cm solid wood, highly resilient, no trickling of dust / sand, protection against direct rain



Hercules rope

Hercules rope, for spliced net connections. A compound of steel rope for the core and polyester or polyamide yarn for the sheath. High abrasion resistance, 4 or 6 strands



Aluminium rope pressing

Aluminium rope pressing, cylindrically pressed, with rounded ends



Rope connection with joint

Close-fitting connection with joint, without dangerous openings, with sintered bush and adjustable screw connection



Profiled washer

Profiled washer for covering protruding screw heads according to standard, improved pressure distribution and protection against water. Impedes loosening the bolt



Adjustable

Adjustable two-piece bolt connection, easy to maintain, no projecting threads



Ground anchor

All parts used for anchoring to the ground are made of hot-dip galvanised steel or stainless steel



For more detailed explanation of the quality characteristics see price list.

Dimensions

(small deviations possible)

Height	4.50 m
Length	3.45 m
Width	3.95 m
Floor height	2.00 m
Platform length	2.00 m
Weight	1100 kg



3.23500



Order No. L3.26300 Square platform, height 1.50 m

Play value

The Platform is well suited as centre of a small play installation. Through the versatile attachment offers, above all attractive activity equipment such as slide, inclined wall, climbing net or firemen's pole, many children can play at the same time; this is important, for instance, on school playgrounds. The Platform is also available with roof.

Fundamental characteristics

- Versatile activity offers
- Sturdy meeting point
- Incentive for playing: climbing up, enjoying the view
- Movement: climbing

Recommended for

- Kindergarten children (only for platform 1.00 m)
- School children
- Supervised play areas, such as kindergartens, schools after-school programmes or similar
- Public play areas without supervision, such as playgrounds, parks or similar



Order No. K3.26500 Square platform with square timber, height 2.00 m



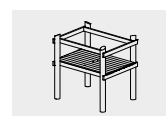
Order No. L3.26500 Square platform, height 2.00 m

Platforms for combination

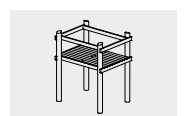
Square Platform



L3.26101



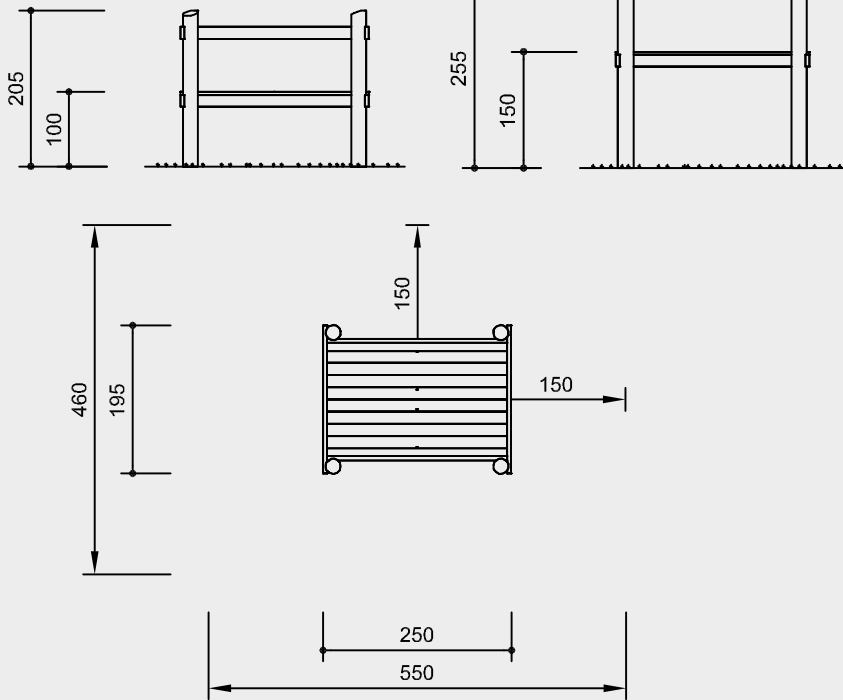
L3.26300



L3.26500

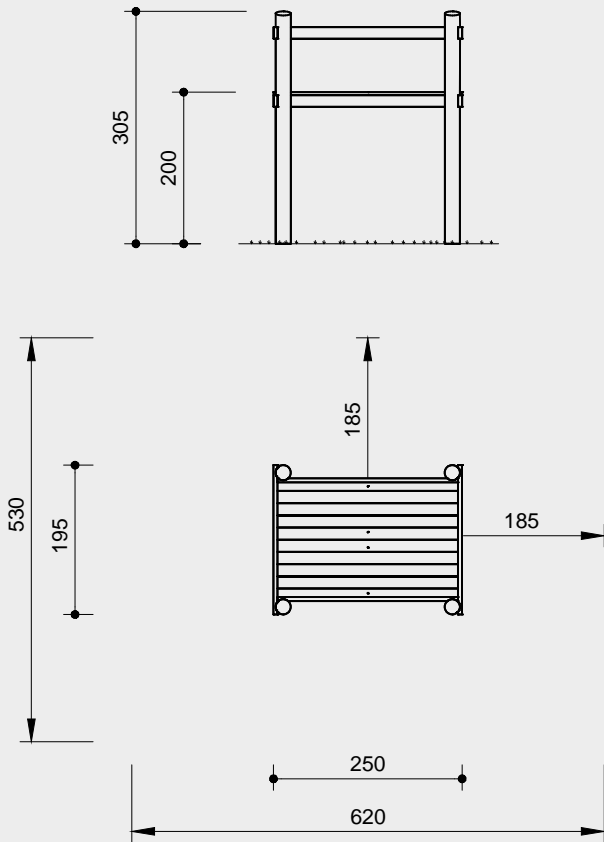
Order No. L3.26101
Square platform
 Height 1.00 m

Order No. L3.26300
Square platform
 Height 1.50 m



Order No. L3.26500
Square platform
 Height 2.00 m

Safety distance ———→
 Device dimensions ———●
 Functional distance ———|

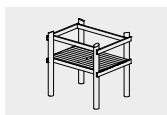


Scale 1:100

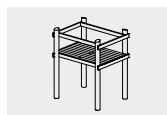
Safety check according to DIN EN 1176



L3.26101



L3.26300



L3.26500

Technical information

Equipment made of non-impregnated mountain larch

Peeled white

Palisades peeled white means that bark, cambium and sapwood are removed, the natural shape of the trunk is preserved and can be experienced



Bevel cut

Vertical stand posts with bevelled end grain section as constructive wood preservation measure



Core-free

Sawn-timbers core-free, thus decreasing occurrences of cracking and undesired changes in shape



Tongue and groove

Tongue and groove planks made of 4 cm solid wood, highly resilient, no trickling of dust / sand, protection against direct rain



Ground anchor

All parts used for anchoring to the ground are made of hot-dip galvanised steel or stainless steel



For more detailed explanation of the quality characteristics see price list.

Dimensions

(small deviations possible)

Order No. L3.26101

Height 2.05 m
 Floor height 1.00 m
 Floor size 1.60 x 2.50 m
 Exterior dimension 1.95 x 2.50 m
 Weight 270 kg

Order No. L3.26300

Height 2.55 m
 Floor height 1.50 m
 Floor size 1.60 x 2.50 m
 Exterior dimension 1.95 x 2.50 m
 Weight 320 kg

Order No. L3.26500

Height 3.05 m
 Floor height 2.00 m
 Floor size 1.60 x 2.50 m
 Exterior dimension 1.95 x 2.50 m
 Weight 370 kg

Components

1 Platform complete with 2 floor elements, guardrails and steel feet

Installation information

Surfacing requirements determined by floor height (please refer to price list for more detailed information)

Foundations
 4 items 60 x 60 x 60 cm
 Excavation depth 80 cm

Attention:

Exact measurements may vary; for all installation dimensions refer to current assembly instructions.

Technical changes reserved.



Special version



Special version

Play value

The Hexagonal Platform is perfectly suited as centre of a small play installation. Through the versatile attachment offers, above all attractive activity equipment such as slide, inclined wall, climbing net or firemen's pole many children can play at the same time; this is important, for instance, on school playgrounds. The Platform is also available with a roof.

Fundamental characteristics

- Hexagonal structure with versatile opportunities for attachment elements
- Sturdy meeting point
- Incentive for playing: climbing up, enjoying the view
- Movement: climbing

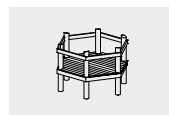
Recommended for

- Kindergarten children (only for platform 1.00 m)
- School children
- Young people
- Supervised play areas, such as kindergartens, schools after-school programmes or similar
- Public play areas without supervision, such as playgrounds, parks or similar

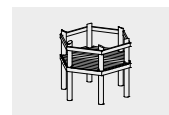


Platforms for combination

Hexagonal Platform



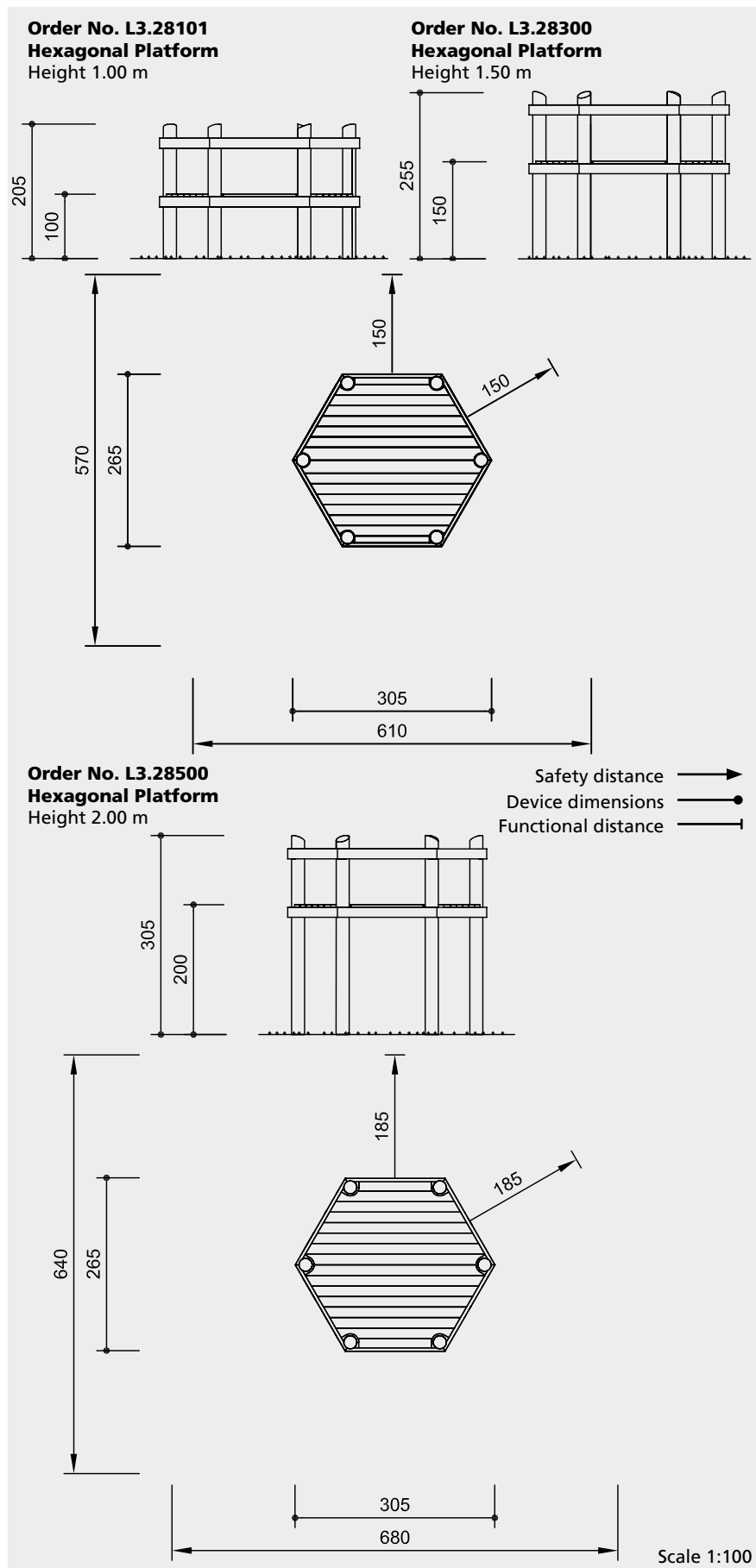
L3.28101



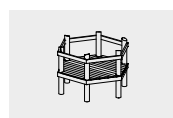
L3.28300



L3.28500



Safety check according to DIN EN 1176



L3.28101



L3.28300



L3.28500

Technical information

Equipment made of non-impregnated mountain larch

Peeled white

Palisades peeled white means that bark, cambium and sapwood are removed, the natural shape of the trunk is preserved and can be experienced



Bevel cut

Vertical stand posts with bevelled end grain section as constructive wood preservation measure



Core-free

Sawn-timbers core-free, thus decreasing occurrences of cracking and undesired changes in shape



Tongue and groove

Tongue and groove planks made of 4 cm solid wood, highly resilient, no trickling of dust / sand, protection against direct rain



Ground anchor

All parts used for anchoring to the ground are made of hot-dip galvanised steel or stainless steel



For more detailed explanation of the quality characteristics see price list.

Dimensions

(small deviations possible)

Order No. L3.28101

height	2.05 m
floor height	1.00 m
floor size	3.05 x 2.65 m
weight	400 kg

Order No. L3.28300

height	2.55 m
floor height	1.50 m
floor size	3.05 x 2.65 m
weight	480 kg

Order No. L3.28500

height	3.05 m
floor height	2.00 m
floor size	3.05 x 2.65 m
weight	550 kg

Components

- 1 Platform complete with 2 floor elements, guardrails and steel feet

Installation information

Surfacing requirements determined by floor height (please refer to price list for more detailed information)

Foundations
6 items 60 x 60 x 60 cm
Excavation depth 80 cm

Attention:

Exact measurements may vary; for all installation dimensions refer to current assembly instructions.
Technical changes reserved.

Play value

The nicely shaped Big Hexagonal Platform makes a very good centrepiece for a play area. The appealing material and the harmonious design simply invite children to climb it, use it as a hidey-hole, and as a place for a chat. The platform can be combined with a variety of pieces of equipment. All levels can be reached via ladders.

Fundamental characteristics

- Friendly hexagonal design with versatile opportunities for combination
- Appealing hexagonal design

Recommended for

- School children
- Supervised play areas, such as kindergartens, schools after-school programmes or similar
- Public play areas without supervision, such as playgrounds, parks or similar



Photo © Peter Hohenauer



Photo © Peter Hohenauer

Big Hexagonal Platform with Roof

Note

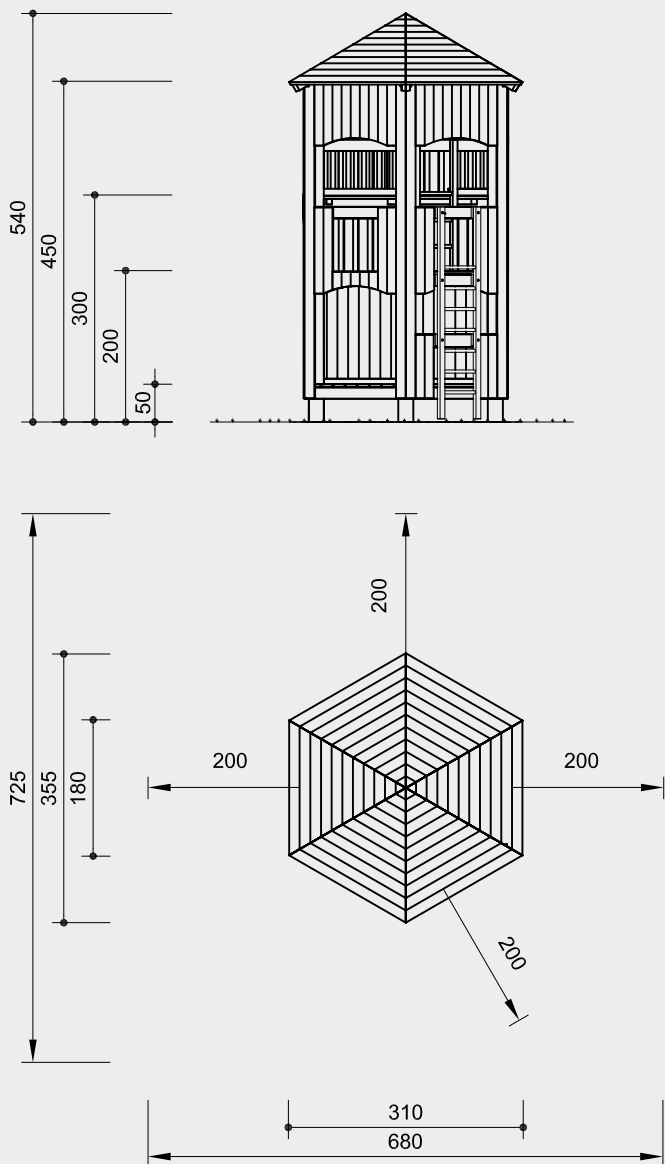
The pictures show a special version of the roof. The standard version of the platform includes the roof available under the **Order No. 3.26920**. A coloured design and a windmill are available at an extra charge.



L3.28700

Order No. L3.28700
Big Hexagonal Platform with Roof

Safety distance 
 Device dimensions 
 Functional distance 



Scale 1:100

Safety check according to DIN EN 1176

Components

1 Big hexagonal platform, completely clad, with 5 floor elements, 1 ladder fixed on the outside, 1 ladder fixed on the inside, 1 partition on the ground floor and steel feet

Installation information

Surfacing requirements corresponding to a fall height of ≤ 3.00 m (please refer to price list for more detailed information)

Foundations
 6 items 60 x 60 x 60 cm
 Excavation depth 80 cm

Attention:
Exact measurements may vary; for all installation dimensions refer to current assembly instructions.
 Technical changes reserved.

Technical information

Equipment made of non-impregnated mountain larch

Peeled white

Palisades peeled white means that bark, cambium and sapwood are removed, the natural shape of the trunk is preserved and can be experienced



Core-free

Sawn-timbers core-free, thus decreasing occurrences of cracking and undesired changes in shape



Claddings

Claddings made of mountain larch (4 – 5 cm). Peeled white by hand, natural tree surface remains tangible and perceptible



Tongue and groove

Tongue and groove planks made of 4 cm solid wood, highly resilient, no trickling of dust / sand, protection against direct rain



Hardwood rungs

Climbing rungs made of hardwood (ash) \varnothing 4.2 cm, milled and mortised, secured against twisting, easy to grip and not cold for children to touch



Ground anchor

All parts used for anchoring to the ground are made of hot-dip galvanised steel or stainless steel



For more detailed explanation of the quality characteristics see price list.

Dimensions

(small deviations possible)

Height	5.40 m
Floor heights	0.50 / 2.00 / 3.00 m
Length	3.10 m
Width	3.55 m
Weight	2500 kg



L3.28700

Play value

Our Totter Trail comprises various elements offering a variety of activities, such as climbing, balancing and going through openings. The niche-like layout also provides the children with enough space for fantasy-full role-playing games and hiding. Several little ramps, platforms, ropes and rungs invite the children to climb up to the equipment. Different play variants are possible – we will create a customised plan according to local conditions.



© Richter Spielgeräte GmbH 06/22

Fundamental characteristics

- Child-oriented dimensions according to ergonomic criteria
- The space-defining design appeals to the senses
- A large number of play offers
- Incentive for playing: cosy room, climbing, role-playing game
- Movement: climbing, balancing

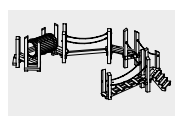
Recommended for

- Children under 3 years
- Kindergarten children
- Supervised play areas, such as kindergartens, schools after-school programmes or similar
- Public play areas without supervision, such as playgrounds, parks or similar

Planning information

Our Totter Trail can be put together individually. Other variants are possible on request.

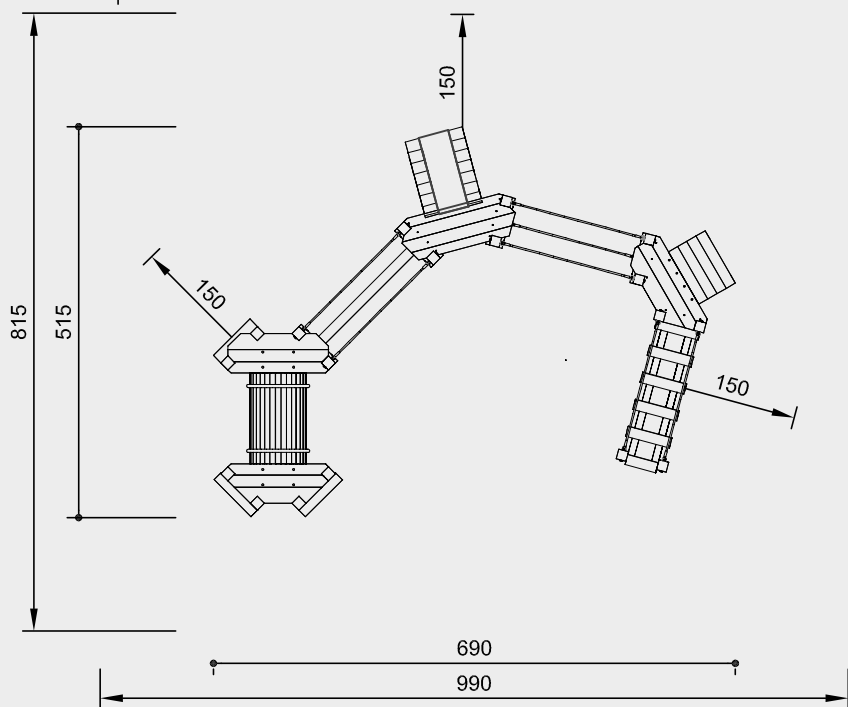
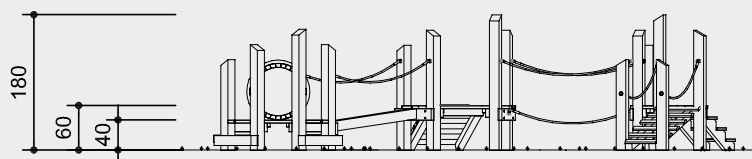
**Totter Trail
Type 01**



4.03010

Order No. 4.03010
Totter Trail Type 01

Safety distance →
 Device dimensions ●
 Functional distance —



Scale 1:100

Safety check according to DIN EN 1176

Components

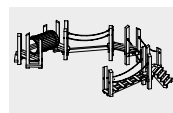
- 4 Floors for platform with steel feet
- 3 Stepping blocks
- 1 Crawl barrel
- 1 Balancing beam
- 1 Gap bridge
- 1 Support frame for gap bridge with steel feet
- 1 Staircase
- 1 Inclined wall with inclined stainless steel surface
- 6 Hand ropes
- 1 Balancing rope

Installation information

Surfacing requirements corresponding to a fall height of ≤ 0.60 m (please refer to price list for more detailed information)

Foundations
 9 items 90 x 50 x 40 cm
 Excavation depth 60 cm
 1 item 90 x 30 x 20 cm
 Excavation depth 40 cm
 2 items 30 x 30 x 30 cm
 Excavation depth 50 cm

Attention:
Exact measurements may vary; for all installation dimensions refer to current assembly instructions.
 Technical changes reserved.



4.03010

Technical information

Equipment made of non-impregnated mountain larch

Bevel cut

Vertical stand posts with bevelled end grain section as constructive wood preservation measure



Core-free

Sawn-timbers core-free, thus decreasing occurrences of cracking and undesired changes in shape



Claddings

Claddings made of mountain larch (4 – 5 cm). Peeled white by hand, natural tree surface remains tangible and perceptible



Tongue and groove

Tongue and groove planks made of 4 cm solid wood, highly resilient, no trickling of dust / sand, protection against direct rain



Richter Hercules type rope

Richter Hercules type rope, a combination of galvanised six-strand steel cables and polyester yarn, diameter > 20 mm, laid and glued with very good abrasion resistance, strong sheathing even in the case of damage by puncturing



Aluminium rope pressing

Aluminium rope pressing, cylindrically pressed, with rounded ends



Rope connection with joint

Close-fitting connection with joint, without dangerous openings, with sintered bush and adjustable screw connection



Profiled washer

Profiled washer for covering protruding screw heads according to standard, improved pressure distribution and protection against water. Impedes loosening the bolt



Adjustable

Adjustable two-piece bolt connection, easy to maintain, no projecting threads



Sintered bush

For all reciprocating movements we use sintered plain bearings which are self-lubricating in use and can easily be exchanged if necessary



Ground anchor

All parts used for anchoring to the ground are made of hot-dip galvanised steel or stainless steel



For more detailed explanation of the quality characteristics see price list.

Steps made of hardwood 32 mm

Stainless steel slide surface

Dimensions

(small deviations possible)

Height	1.80 m
Floor heights	0.40 / 0.60 m
Length	6.90 m
Width	5.15 m



Play value

Up and down – the Dwarf Hill provides a good practice area for basic exercises, such as climbing, standing on top and sliding. This promotes coordination as well as body awareness.

Fundamental characteristics

- Child-oriented dimensions
- Appealing design and construction
- Natural wooden surface which appeals to the senses
- Movement: climbing with different degrees of difficulty, standing high on top
- Can also be used instead of a mound

Recommended for

- Children under 3 years
- Kindergarten children
- Supervised play areas, such as kindergartens, schools, after-school programmes or similar
- Public play areas without supervision, such as playgrounds, parks or similar
- Leisure areas



The photos show an old version without ventilation slits, Photo © Barbara Evripidou

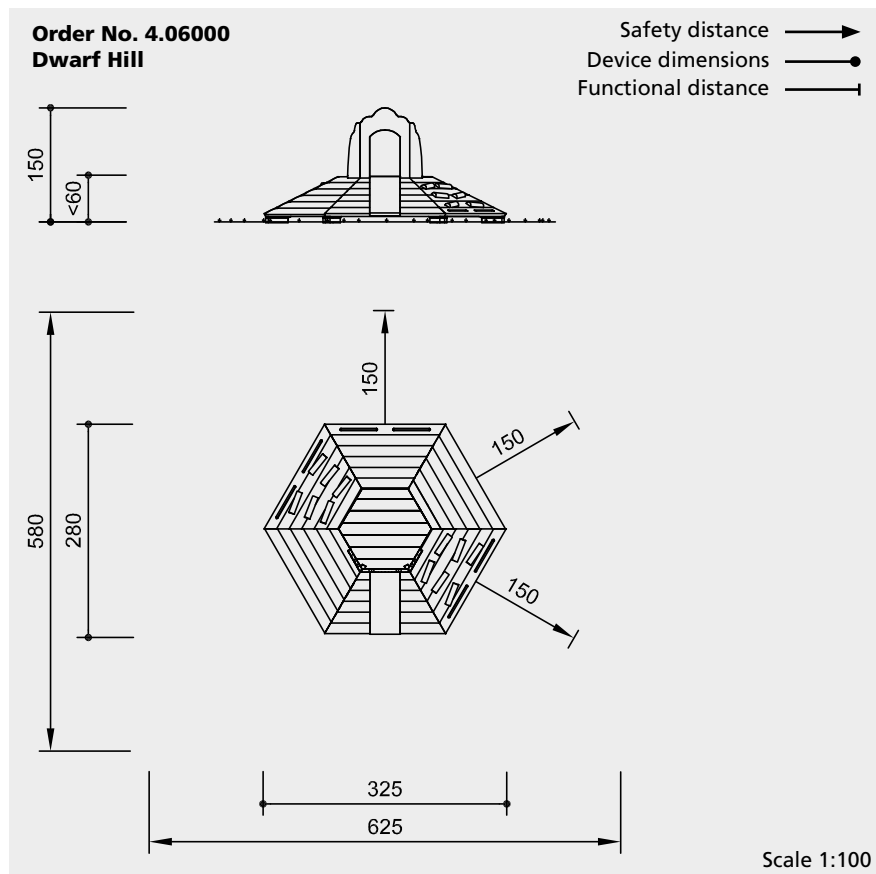
Dwarf Hill



© Richter Spielgeräte GmbH 06/22



4.06000



Safety check according to DIN EN 1176

Components

- 2 Parts of the hill partly with climbing aids
- 1 Inclined stainless steel surface
- 1 Floor
- 1 Gate

Installation information

Surfacing requirements corresponding to a fall height of ≤ 0.60 m (please refer to price list for more detailed information)

Foundations not necessary

Attention:
Exact measurements may vary;
for all installation dimensions refer to current assembly instructions.
Technical changes reserved.

Technical information

Equipment made of non-impregnated mountain larch

Core-free

Sawn-timbers core-free, thus decreasing occurrences of cracking and undesired changes in shape



Claddings

Claddings made of mountain larch (4 – 5 cm). Peeled white by hand, natural tree surface remains tangible and perceptible



Tongue and groove

Tongue and groove planks made of 4 cm solid wood, highly resilient, no trickling of dust / sand, protection against direct rain



Plywood

Plywood made of mountain larch, three-layer (3 cm) or five-layer (4 cm). High dimensional stability, waterproof, glued according to DIN EN 13353:2011



For more detailed explanation of the quality characteristics see price list.

Stainless steel sliding surface

Dimensions

(small deviations possible)

Height	1.50 m
Height of the hill	<math>< 0.60</math> m
Length	3.25 m
Width	2.80 m
Weight	330 kg



4.06000

Play value

Standing on top of the Little Mountain after climbing it in many different ways, gives rise to an unexpected feeling of freedom. The wooden slopes, each constructed in a different way, entice children to climb them. The slide ensures they get down quickly. The design of the Little Mountain lends a delightful character to any play area for the smallest child. The version of our „Little Mountain“ with a cave also offers plenty of space under the play level for hiding and role-playing games.



Order No. 4.06010 Little Mountain



Order No. 4.06020 Little Mountain with Cave



Order No. 4.06010 Little Mountain, old version without ventilation slits



Order No. 4.06020 Little Mountain with Cave

Fundamental characteristics

- Child-oriented dimensions
- Appealing design and construction
- Natural wooden surface which appeals to the senses
- Incentive for playing: hiding, role-playing games
- Movement: climbing with different degrees of difficulty, standing on top, sliding
- Can also be used instead of a mound

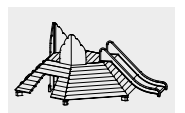
Recommended for

- Children under 3 years
- Kindergarten children
- Supervised play areas, such as kindergartens, schools, after-school programmes or similar
- Public play areas without supervision, such as playgrounds, parks or similar
- Leisure areas

**Little Mountain
Little Mountain with Cave**

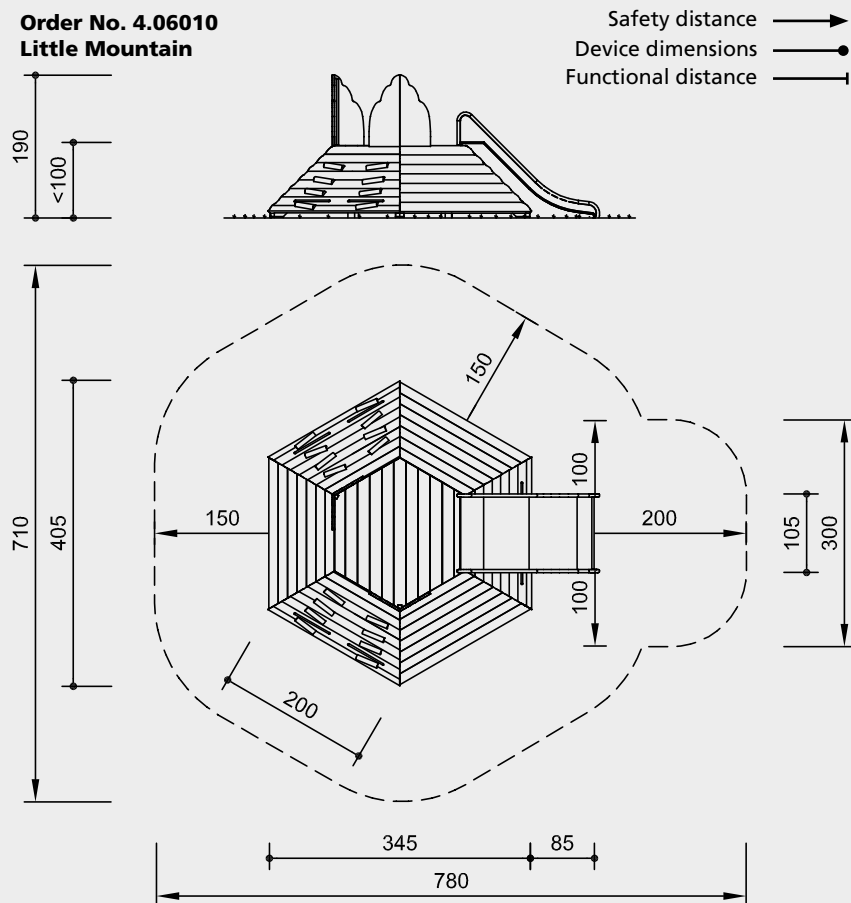


4.06010

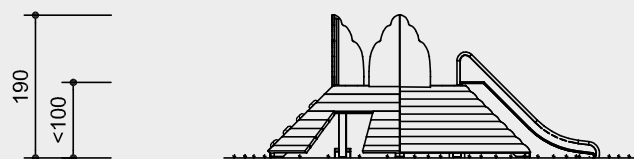


4.06020

Order No. 4.06010
Little Mountain



Order No. 4.06020
Little Mountain with Cave



Scale 1:100

Safety check according to DIN EN 1176

Components

Order No. 4.06010

- 6 Sidewalls partly with climbing aids
- 1 Floor with 1 frame
- 2 Walls
- 1 Stainless Steel Slide

Order No. 3.63300

Order No. 4.06020

As above, but in addition with Cave and Seating options

Installation information

Surfacing requirements corresponding to a fall height of ≤ 1.00 m (please refer to price list for more detailed information)

Foundations not necessary

Slide

Excavation depth for ground anchor 55 cm

Attention:

Exact measurements may vary; for all installation dimensions refer to current assembly instructions.

Technical changes reserved.

Technical information

Equipment made of non-impregnated mountain larch

Core-free

Sawn-timbers core-free, thus decreasing occurrences of cracking and undesired changes in shape



Claddings

Claddings made of mountain larch (4 – 5 cm). Peeled white by hand, natural tree surface remains tangible and perceptible



Tongue and groove

Tongue and groove planks made of 4 cm solid wood, highly resilient, no trickling of dust / sand, protection against direct rain



Plywood

Plywood made of mountain larch, three-layer (3 cm) or five-layer (4 cm). High dimensional stability, waterproof, glued according to DIN EN 13353:2011



For more detailed explanation of the quality characteristics see price list.

Slide

total construction made of stainless steel, thickness of the sides 2 mm, thickness of sliding surface 2.5 mm, slide walls glass bead blasted

Dimensions

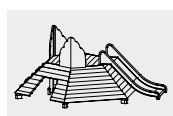
(small deviations possible)

Order No. 4.06010 / 4.06020

Height	1.90 m
Height. of mountain	<math>< 1.00</math> m
Length with slide	4.40 m
Length of Sides	2.00 m
Width mountain	4.05 m
Width slide	1.00 m
Weight	570 / 550 kg



4.06010



4.06020



Play value

Even as basic equipment, the Platform House has Platform, House, Slide and Inclined Climbing Net as well as basic furnishings like a table and benches and is a versatile, independent small playground. It provides incentives for role-playing games and numerous exercise activities.

Fundamental characteristics

- Child-oriented dimensions according to ergonomic requirements
- Natural wooden surface which appeals to the senses
- Constructional advantage: strong planking of the platform creates large, „support-free“ play space underneath the platform
- Compact playground with a small footprint, suitable when space is at stake
- Combination for role-playing games, „work“ play and activity
- Movement: climbing, sliding, crawling, crouching, using physical strength

Recommended for

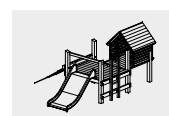
- Kindergarten children
- School children
- Supervised play areas, such as kindergartens, schools, after-school programmes or similar
- Public play areas without supervision, such as playgrounds, parks or similar



Photos © Paul Upward



Platform House 4904
Platform House 4906



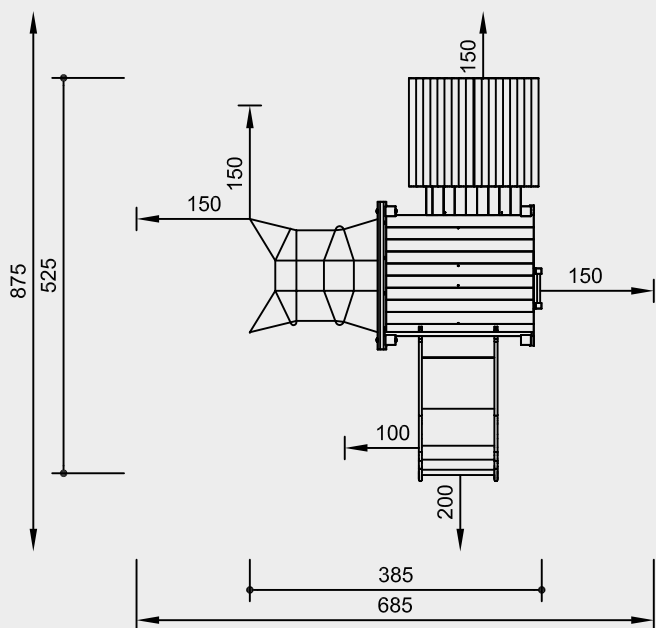
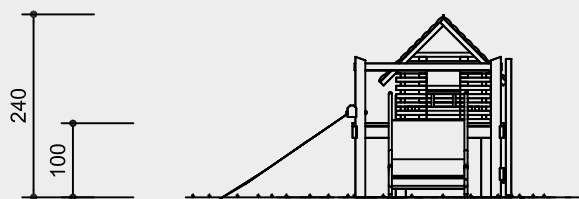
4.14904



4.14906

Order No. 4.14904
Platform House 4904

Safety distance 
Device dimensions 
Functional distance 



Scale 1:100

Safety check according to DIN EN 1176

Components

- 1 Platform 1.60 x 2.00 m with steel feet
- 1 Platform house with steel feet
floor dimensions 1.25 x 1.80 m
- 1 Ladder
- 1 Inclined climbing net,
Order No. 3.69140
- 1 Stainless steel slide with ground anchor,
Order No 3.63300

Installation information

Surfacing requirements corresponding to a fall height of ≤ 1.00 m (please refer to price list for more detailed information)

Foundations

- Platform House**
6 items 60 x 60 x 60 cm
Excavation depth 80 cm
- Inclined Climbing Net**
2 items 50 x 50 x 40 cm
Excavation depth 80 cm

Slide

Excavation depth for ground anchor 55 cm

Attention:

Exact measurements may vary; for all installation dimensions refer to current assembly instructions.

Technical changes reserved.



4.14904



4.14906

Technical information

Equipment made of non-impregnated mountain larch

Bevel cut

Vertical stand posts with bevelled end grain section as constructive wood preservation measure



Core-free

Sawn-timbers core-free, thus decreasing occurrences of cracking and undesired changes in shape



Tongue and groove

Tongue and groove planks made of 4 cm solid wood, highly resilient, no trickling of dust / sand, protection against direct rain



Hardwood rungs

Climbing rungs made of hardwood (ash) \varnothing 4.2 cm, milled and mortised, secured against twisting, easy to grip and not cold for children to touch



Richter Hercules type rope

Richter Hercules type rope, a combination of galvanised six-strand steel cables and polyester yarn, diameter > 20 mm, laid and glued with very good abrasion resistance, strong sheathing even in the case of damage by puncturing



Aluminium rope pressing

Aluminium rope pressing, cylindrically pressed, with rounded ends



S-connectors

S-connectors \varnothing 8.1 mm, made of high-quality stainless steel, rounded



Ground anchor

All parts used for anchoring to the ground are made of hot-dip galvanised steel or stainless steel



For more detailed explanation of the quality characteristics see price list.

House floor made of 25 mm tongue and groove boards

Total construction of the slide made of stainless steel, thickness of the sides 2 mm, thickness of sliding surface 2.5 mm

Order No 4.14906
Platform House 4906
Handrails all round

Abmessungen

(geringe Abweichungen möglich)

Height	2.40 m
Length	3.85 m
Width	5.25 m
Platform height	1.00 m
Platform length	2.00 m
Weight	650 kg

Play value

Our Platform House with fitted interior furnishing simply invites children to engage in different types of role-playing games. Installed in sand, the hoist with revolving crane also makes additional activities possible. Children are able to give free reign to fantasy-full games that mirror the grown-up world of work. It also promotes communication and coordination.



Fundamental characteristics

- Child-oriented dimensions according to ergonomic requirements
- Natural wooden surface which appeals to the senses
- Constructional advantage: strong planking of the platform creates large, „support-free“ play space underneath the platform
- Compact playground with a small footprint, suitable when space is at stake
- Combination for role-playing games, „work“ play and activity
- Movement: climbing, sliding, crawling, crouching, using physical strength



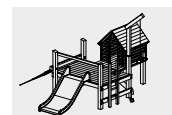
Photo © Paul Upward, Special version with sun sail



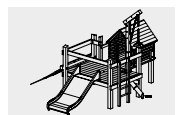
Recommended for

- Kindergarten children
- School children
- Supervised play areas, such as kindergartens, schools, after-school programmes or similar
- Public play areas without supervision, such as playgrounds, parks or similar

Platform House 4914
Platform House 4916



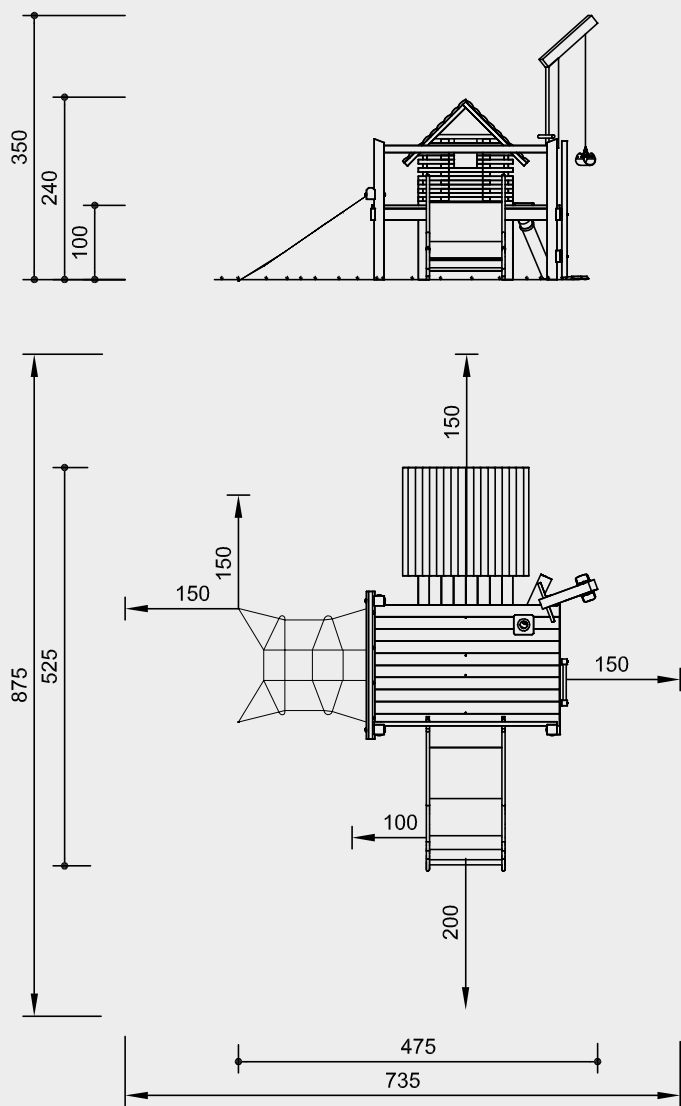
4.14914



4.14916

Order No. 4.14914
Platform House 4914

Safety distance →
Device dimensions ●
Functional distance —



Scale 1:100

Safety check according to DIN EN 1176

Components

- 1 Platform 1.60 x 2.50 m with steel feet
- 1 Platform house with steel feet floor dimensions 1.25 x 1.80 m
- 1 Ladder
- 1 Inclined climbing net, **Order No. 3.69140**
- 1 Stainless steel slide with ground anchor **Order No 3.63300**
- 1 Revolving crane with sand hoist
- 1 Sand pipe
- 1 Shovel with chain

Installation information

Surfacing requirements corresponding to a fall height of ≤ 1.00 m (please refer to price list for more detailed information)

Foundations

- Platform House**
6 items 60 x 60 x 60 cm
Excavation depth 80 cm
- Inclined Climbing Net**
2 items 50 x 50 x 40 cm
Excavation depth 80 cm

Slide

Excavation depth for ground anchor 55 cm

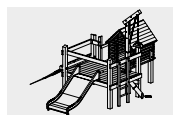
Attention:

Exact measurements may vary; for all installation dimensions refer to current assembly instructions.

Technical changes reserved.



4.14914



4.14916

Technical information

Equipment made of mountain larch

Bevel cut

Vertical stand posts with bevelled end grain section as constructive wood preservation measure



Core-free

Sawn-timbers core-free, thus decreasing occurrences of cracking and undesired changes in shape



Tongue and groove

Tongue and groove planks made of 4 cm solid wood, highly resilient, no trickling of dust / sand, protection against direct rain



Hardwood rungs

Climbing rungs made of hardwood (ash) Ø 4.2 cm, milled and mortised, secured against twisting, easy to grip and not cold for children to touch



Richter Hercules type rope

Richter Hercules type rope, a combination of galvanised six-strand steel cables and polyester yarn, diameter > 20 mm, laid and glued with very good abrasion resistance, strong sheathing even in the case of damage by puncturing



Aluminium rope pressing

Aluminium rope pressing, cylindrically pressed, with rounded ends



S-connectors

S-connectors Ø 8.1 mm, made of high-quality stainless steel, rounded



Ground anchor

All parts used for anchoring to the ground are made of hot-dip galvanised steel or stainless steel



Chains

Chains made of hot-dip galvanized steel (1.4301 / 1.4571 at extra charge) welded before galvanising, short-linked, without eyelets on the connecting parts, easy to exchange and shorten



For more detailed explanation of the quality characteristics see price list.

House floor made of 25 mm tongue and groove boards
Sand container of textile-reinforced rubber belt, 8 mm thick
Total construction of the slide made of stainless steel, thickness of the sides 2 mm, thickness of sliding surface 2.5 mm
Revolving range of crane 350°, axially connected to post, with maintenance-free turning mechanism
Sand pipe made of plastic, wall thickness approx. 7 mm

Order No 4.14916
Platform House 4916
with Handrails all round

Dimensions

(small deviations possible)

Height	3.50 m
Length	4.75 m
Width	5.25 m
Platform height	1.00 m
Platform length	2.50 m
Weight	730 kg

Play value

The shape of a play equipment is one of the main factors giving children the necessary stimulus for active play. By an attractive design, children become aware of the play offer. A friendly look creates a pleasant atmosphere and invites children to play. Rope nest and slide are included in the basic elements of the Big Bird Platform. In addition, there are three coloured climbing grips attached to the head.



© Richter Spielgeräte GmbH 06/22

Big Bird Platform

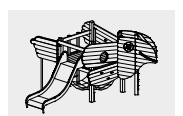
Fundamental characteristics

- High-quality design
- Coloured elements, eye-catcher
- Creates a pleasant atmosphere
- Many possibilities for attaching play elements
- Play offers inside the structure
- Incentive for playing: climbing grips, friendly face, role-playing games
- Movement: climbing

Recommended for

- Kindergarten children
- School children
- Supervised play areas, such as kindergartens, schools, after-school programmes or similar
- Public play areas without supervision, such as playgrounds, parks or similar

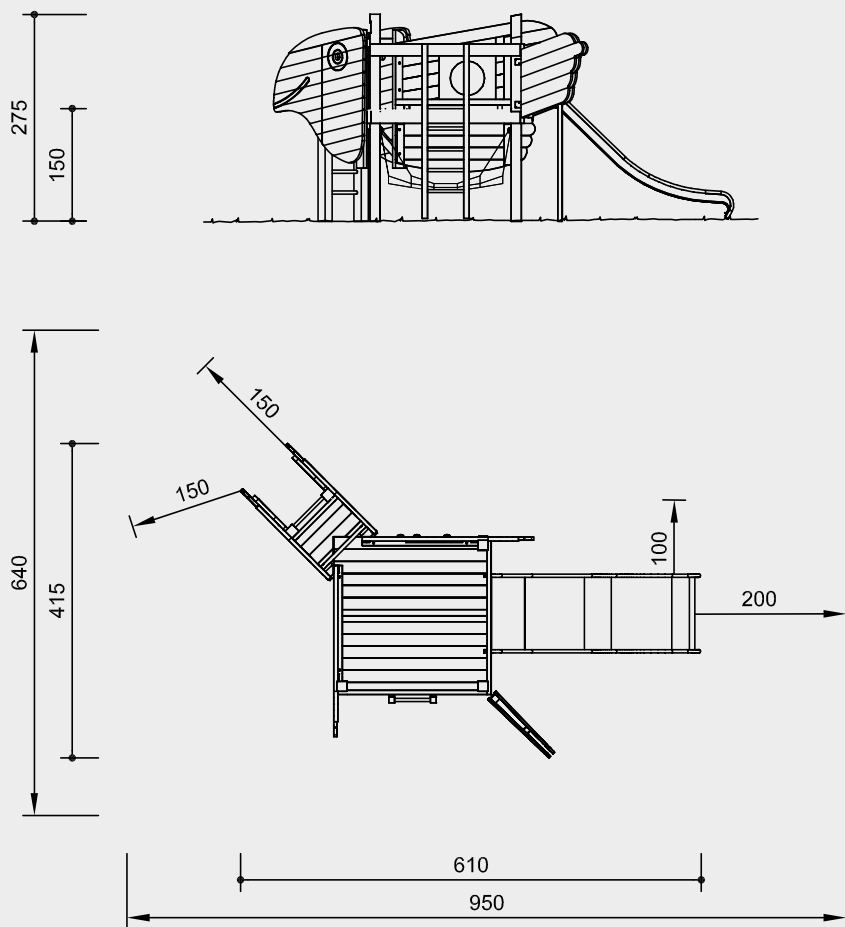
Design F. Dorband / K. H. Thiele



4.90000

Order No. 4.90000
Big Bird Platform

Safety distance ———→
Device dimensions ———●
Functional distance ———|



Scale 1:100

Safety check according to DIN EN 1176

Components

- 1 Platform
two sides close clad in the shape of a bird, with double sided head and tail, coloured design according to picture
- 7 Steel feet
- 1 Ladder in the head
- 3 Climbing grips
- 1 Rope nest
- 1 Stainless steel slide,
Order No. 3.63320
- 1 Climbing pole

Installation information

Surfacing requirements corresponding to a fall height of ≤ 1.50 m (please refer to price list for more detailed information)

Foundations

- Platform**
7 items 60 x 60 x 60 cm
Excavation depth 80 cm
- Slide**
2 items 30 x 30 x 30 cm
Excavation depth 70 cm

Attention:
Exact measurements may vary;
for all installation dimensions refer
to current assembly instructions.
Technical changes reserved.

Technical information

Equipment made of non-impregnated mountain larch

Core-free

Sawn-timbers core-free, thus decreasing occurrences of cracking and undesired changes in shape



Tongue and groove

Tongue and groove planks made of 4 cm solid wood, highly resilient, no trickling of dust / sand, protection against direct rain



Hardwood rungs

Climbing rungs made of hardwood (ash) Ø 4.2 cm, milled and mortised, secured against twisting, easy to grip and not cold for children to touch



Hercules rope

Hercules rope, for spliced net connections. A compound of steel rope for the core and polyester or polyamide yarn for the sheath. High abrasion resistance, 4 or 6 strands



Aluminium rope pressing

Aluminium rope pressing, cylindrically pressed, with rounded ends



Ground anchor

All parts used for anchoring to the ground are made of hot-dip galvanised steel or stainless steel



For more detailed explanation of the quality characteristics see price list.

Slide made of stainless steel, slide walls glass bead blasted, thickness of slide metal 3 mm, handrail tube Ø 42 mm, thickness 2 mm

Professional climbing grips made of a mixture of sand-synthetic resin with 100% safe anti-rotation system against unintended twisting of the grips

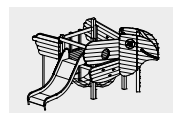
Colour

Solvent-free acrylic paints are used for colouring; the wood is painted in a way which allows the structure of the wood to remain clearly visible

Dimensions

(small deviations possible)

Height	2.75 m
Floor height	1.50 m
Floor size	2.00 x 2.00 m
Length	6.10 m
Width	4.15 m
Weight	700 kg



4.90000



Play value

A friendly look creates a pleasant atmosphere and invites children to play. Fish Berta has an amiable appearance in the shape of a fish which provides a special attraction to the play area. The net and climbing grips, which stick like shells to one side of the structure, emphasize the look of a sea animal which can become the centre of a play area. Fish Berta offers play opportunities inside the structure and has a climbing net and a slide in the basis version.



Fish Berta

Fundamental characteristics

- High-quality design
- Coloured elements, eye-catcher
- Creates a pleasant atmosphere
- Many possibilities for attaching play elements
- Play offers inside the fish body
- Incentive for playing: climbing grips, friendly face, role-playing games
- Movement: climbing

Recommended for

- Kindergarten children
- School children
- Supervised play areas, such as kindergartens, schools, after-school programmes or similar
- Public play areas without supervision, such as playgrounds, parks or similar

© Richter Spielgeräte GmbH 06/22

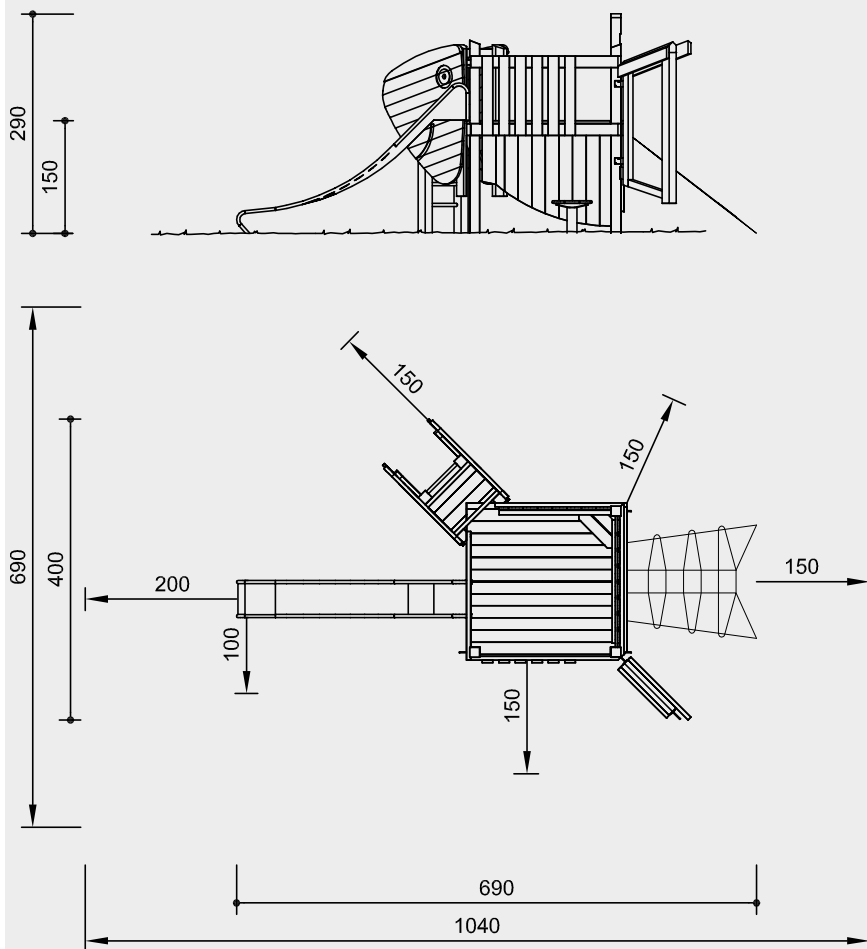
Design F. Dorband / K. H. Thiele



4.90010

Order No. 4.90010
Fish Berta

Safety distance →
Device dimensions ●
Functional distance —



Scale 1:100

Safety check according to DIN EN 1176

Components

- 1 Platform
two sides close clad in the shape of a fish, with double sided head and tail fin, coloured design according to picture
- 7 Steel feet
- 1 Round table with steel foot
- 1 Bench
- 1 Ladder in the head
- 5 Climbing grips on the closed side
- 1 Inclined climbing net,
Order No. 3.69160
- 1 Stainless steel slide with ground anchor,
Order No. 3.63020

Installation information

Surfacing requirements corresponding to a fall height of ≤ 1.50 m (please refer to price list for more detailed information)

Foundations

- Platform**
7 items 60 x 60 x 60 cm
Excavation depth 80 cm
- Net**
2 items 50 x 50 x 40 cm
Excavation depth 80 cm
- Table**
1 item 40 x 40 x 40 cm
Excavation depth 60 cm
- Slide**
Excavation depth for the ground anchor 55 cm

Attention:
Exact measurements may vary;
for all installation dimensions refer to current assembly instructions.
Technical changes reserved.



4.90010

Technical information

Equipment made of non-impregnated mountain larch

Core-free

Sawn-timbers core-free, thus decreasing occurrences of cracking and undesired changes in shape



Tongue and groove

Tongue and groove planks made of 4 cm solid wood, highly resilient, no trickling of dust / sand, protection against direct rain



Hardwood rungs

Climbing rungs made of hardwood (ash) Ø 4.2 cm, milled and mortised, secured against twisting, easy to grip and not cold for children to touch



One-piece construction

Total construction of the slide made of 2 mm stainless steel, drawn in box form, surface glass bead blasted, without welding seam between sliding surface and side cheek



Richter Hercules type rope

Richter Hercules type rope, a combination of galvanised six-strand steel cables and polyester yarn, diameter > 20 mm, laid and glued with very good abrasion resistance, strong sheathing even in the case of damage by puncturing



Aluminium rope pressing

Aluminium rope pressing, cylindrically pressed, with rounded ends



S-connectors

S-connectors Ø 8.1 mm, made of high-quality stainless steel, rounded



Rope connection fixed

Fixed rope connection without dangerous openings. Screw connection adjustable and countersunk in the wood



Ground anchor

All parts used for anchoring to the ground are made of hot-dip galvanised steel or stainless steel



For more detailed explanation of the quality characteristics see price list.

Professional climbing grips made of a mixture of sand-synthetic resin with 100% safe anti-rotation system against unintended twisting of the grips

Colour

Solvent-free acrylic paints are used for colouring; the wood is painted in a way which allows the structure of the wood to remain clearly visible

Dimensions

(small deviations possible)

Height	2.90 m
Floor height	1.50 m
Floor size	2.00 x 2.00 m
Length	6.90 m
Width	4.00 m
Weight	700 kg

Play value

This unusual play equipment has a strong artistic expressive character due to the lively design and the graphical effect of the layout of handrails and ramps. It is suitable to be the centre-piece of a wide play area. Children are fascinated by the construction with its higgledy-piggledy small spaces and different levels where one is lying on top or below the other and which cannot be understood at first glance. The multitude of ramps invites children to run on them; it is great fun to play tag or hide and seek in a very special way.



© Richter Spielgeräte GmbH 06/22

Ramp Labyrinth

Fundamental characteristics

- Appealing design
- Strong artistic expressive character
- Attractive meeting point
- Incentive for playing: playing tag or hide and seek
- Movement: running, jumping, climbing

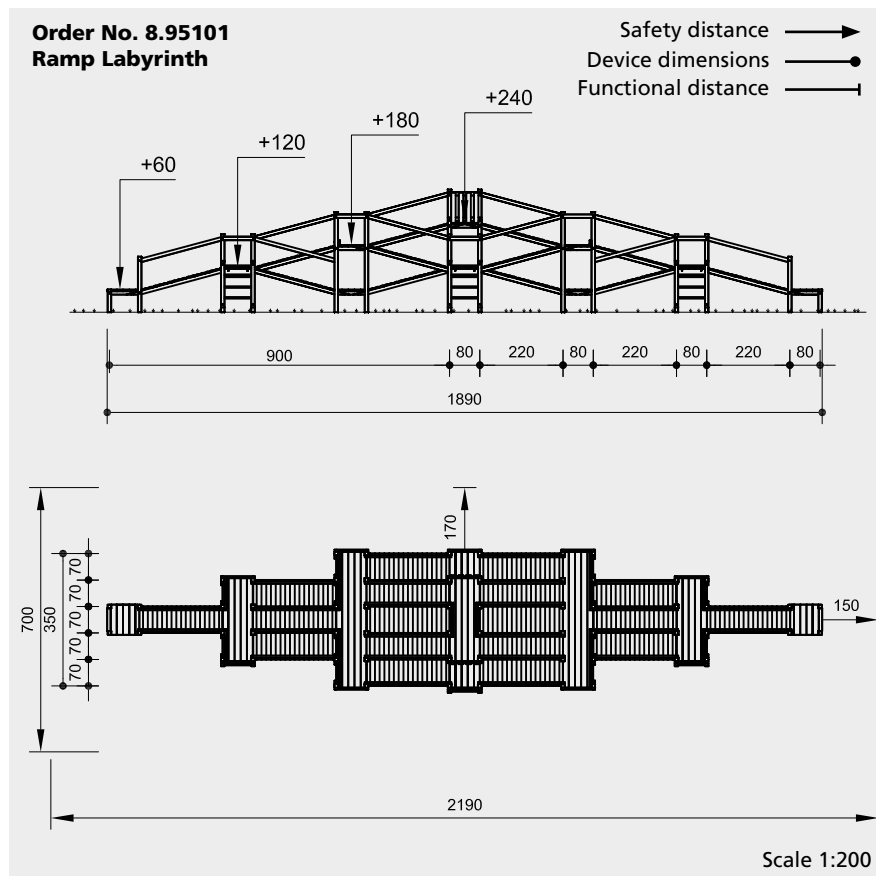
Recommended for

- School children
- Public play areas without supervision, such as playgrounds, parks or similar
- Leisure parks

Design G. Beltzig



8.95101



Safety check according to DIN EN 1176

Components

22 Ramps	0,70 x 2,40 m
6 Platforms	0,70 x 0,70 m, H = 0,60 m
2 Platforms	0,70 x 2,10 m, H = 1,20 m
1 Platform	0,70 x 3,50 m, H = 1,20 m
2 Platforms	0,70 x 3,50 m, H = 1,80 m
1 Platform	0,70 x 2,10 m, H = 2,40 m
3 Ladders	auf Höhe 1,20 m
4 Balustrades	0,80 x 1,60 m
4 Balustrades	0,80 x 0,90 m

All platforms with steel feet

Installation information

Surfacing requirements corresponding to a fall height of ≤ 2.00 m (please refer to price list for more detailed information)

Foundations
 2 items 90 x 100 x 30 cm
 2 items 230 x 100 x 30 cm
 3 items 370 x 100 x 30 cm
 Excavation 50 cm

Attention:
Exact measurements may vary;
for all installation dimensions refer
to current assembly instructions.
 Technical changes reserved.

Technical information

Equipment made of non-impregnated mountain larch

Bevel cut

Vertical stand posts with bevelled end grain section as constructive wood preservation measure



Core-free

Sawn-timbers core-free, thus decreasing occurrences of cracking and undesired changes in shape



Claddings

Claddings made of mountain larch (4 – 5 cm). Peeled white by hand, natural tree surface remains tangible and perceptible



Tongue and groove

Tongue and groove planks made of 4 cm solid wood, highly resilient, no trickling of dust / sand, protection against direct rain



Hardwood rungs

Climbing rungs made of hardwood (ash) Ø 4.2 cm, milled and mortised, secured against twisting, easy to grip and not cold for children to touch



Profiled washer

Profiled washer for covering protruding screw heads according to standard, improved pressure distribution and protection against water. Impedes loosening the bolt



Adjustable

Adjustable two-piece bolt connection, easy to maintain, no projecting threads



Ground anchor

All parts used for anchoring to the ground are made of hot-dip galvanised steel or stainless steel

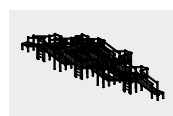


For more detailed explanation of the quality characteristics see price list.

Dimensions

(small deviations possible)

Length of ramps	2.30 m
Width of floor cladding	0.70 m
Lengths of platforms	0.80 to 3.60 m
Width	0.70 m



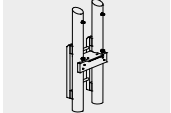
8.95101



**Standard elements for combination
with platforms**

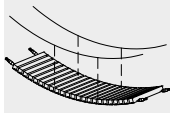
Standard elements for combination with platform 1.00 m

SUSPENSION BRIDGE ELEMENTS



P. 97

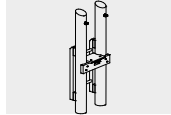
Order No. L3.66030
End Frame with Ladder



P. 97

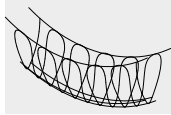
Order No. 3.66090ff.
Running Boards with
chain handrails (3, 4, 5 m)

ROPE BRIDGE ELEMENTS



P. 98

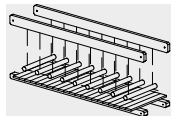
Order No. L3.66520
End Frame with Ladder



P. 98

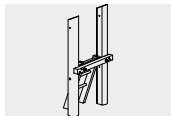
Order No. 3.66530ff.
Rope Bridge (2, 3, 4, 5 m)

CHAIN PATH ELEMENTS



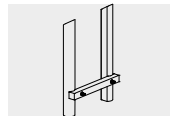
P. 99

Order No. 3.66260ff.
Walkway with / without safety
board for Chain (3, 4 m)



P. 99

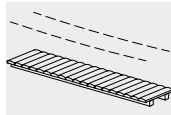
Order No. L3.66220
End Frame with Ladder



P. 99

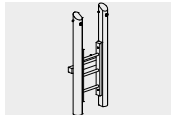
Order No. 3.66232
End Frame for Inclined Chain
Path without safety board

BRIDGE ELEMENTS



P. 100

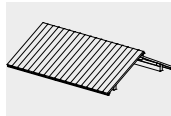
Order No. 3.66300ff.
Bridge without / with
handrails (2, 3, 4, 5 m)



P. 100

Order No. 3.66388
End Frame for ramp
with Ladder

MISCELLANEOUS ELEMENTS



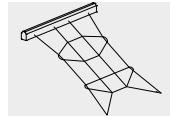
P. 93

Order No. 3.26800ff.
Roof for platform



P. 94

Order No. 3.26920
Roof for hexagonal platform



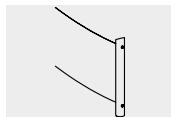
P. 96

Order No. 3.69140
Inclined Climbing Net



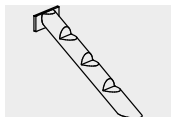
P. 101

Order No. 3.67340ff.
Ladder



P. 107

Order No. L3.69010
Balancing Rope with
Holding Rope



P. 108

Order No. 3.69502
Climbing Trunk

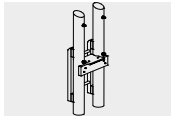


P. 125, 127ff.

Order No. 3.63300
Stainless steel slide

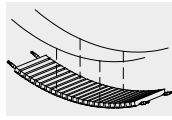
Standard elements for combination with platform 1.50 m

SUSPENSION BRIDGE ELEMENTS



P. 97

Order No. L3.66030
End Frame with Ladder



P. 97

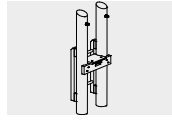
Order No. 3.66090ff.
Running Boards with
chain handrails (3, 4, 5 m)



P. 102

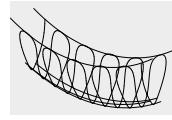
Order No. 3.66075
Support Frame for
Suspension Bridge

ROPE BRIDGE ELEMENTS



P. 98

Order No. L3.66520
End Frame with Ladder



P. 98

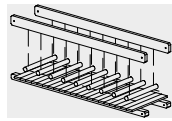
Order No. 3.66530ff.
Rope Bridge (2, 3, 4, 5 m)



P. 102

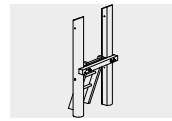
Order No. 3.66623
Support Frame for Rope Bridge

CHAIN PATH ELEMENTS



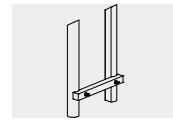
P. 99

Order No. 3.66260ff.
Walkway with / without safety
board for Chain (3, 4 m)



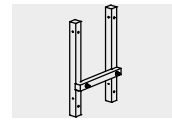
P. 99

Order No. L3.66220
End Frame with Ladder



P. 99

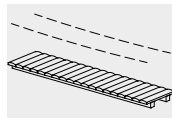
Order No. 3.66232
End Frame for Inclined Chain
Path without safety board



P. 102

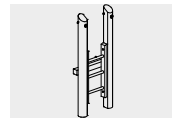
Order No. 3.66250
Support Frame for
Chain Path

BRIDGE ELEMENTS



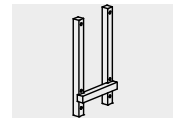
P. 100

Order No. 3.66300ff.
Bridge without / with
handrails (2, 3, 4, 5 m)



P. 100

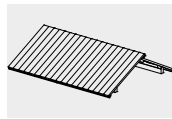
Order No. 3.66388
End Frame for ramp
with Ladder



P. 102

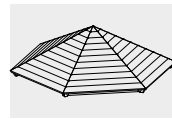
Order No. 3.66370
Support Frame for Bridge

MISCELLANEOUS ELEMENTS



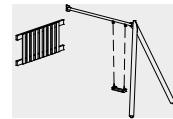
P. 93

Order No. 3.26800ff.
Roof for platform



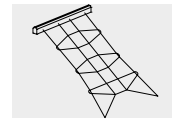
P. 94

Order No. 3.26920
Roof for hexagonal platform



P. 95

Order No. 3.19852
High Swing special long



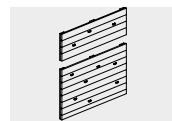
P. 96

Order No. 3.69160
Inclined Climbing Net



P. 101

Order No. 3.67360ff.
Ladder



P. 103

Order No. 3.67515ff.
Climbing Wall



P. 104

Order No. 3.69412
Rope Climbing Ladder
with beam



P. 104

Order No. 3.69452
Climbing Rope
with beam



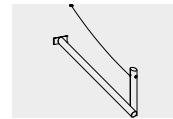
P. 104

Order No. 3.69460
Straight fireman's pole
with beam



P. 104

Order No. 3.69464
Bent fireman's pole



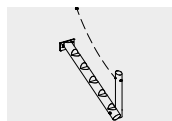
P. 105

Order No. 3.68301
Inclined Balancing Beam



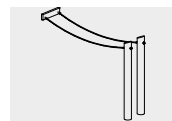
P. 105

Order No. L3.69350
Vertical Climbing Net
with fireman's pole



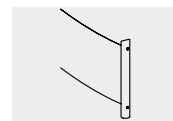
P. 108

Order No. 3.69511
Climbing Trunk with handrail



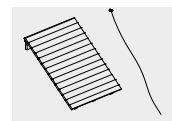
P. 107

Order No. L3.68510
Double Hanging Rope



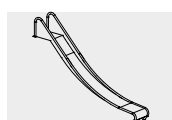
P. 107

Order No. L3.69010
Balancing Rope with
Holding Rope



P. 106

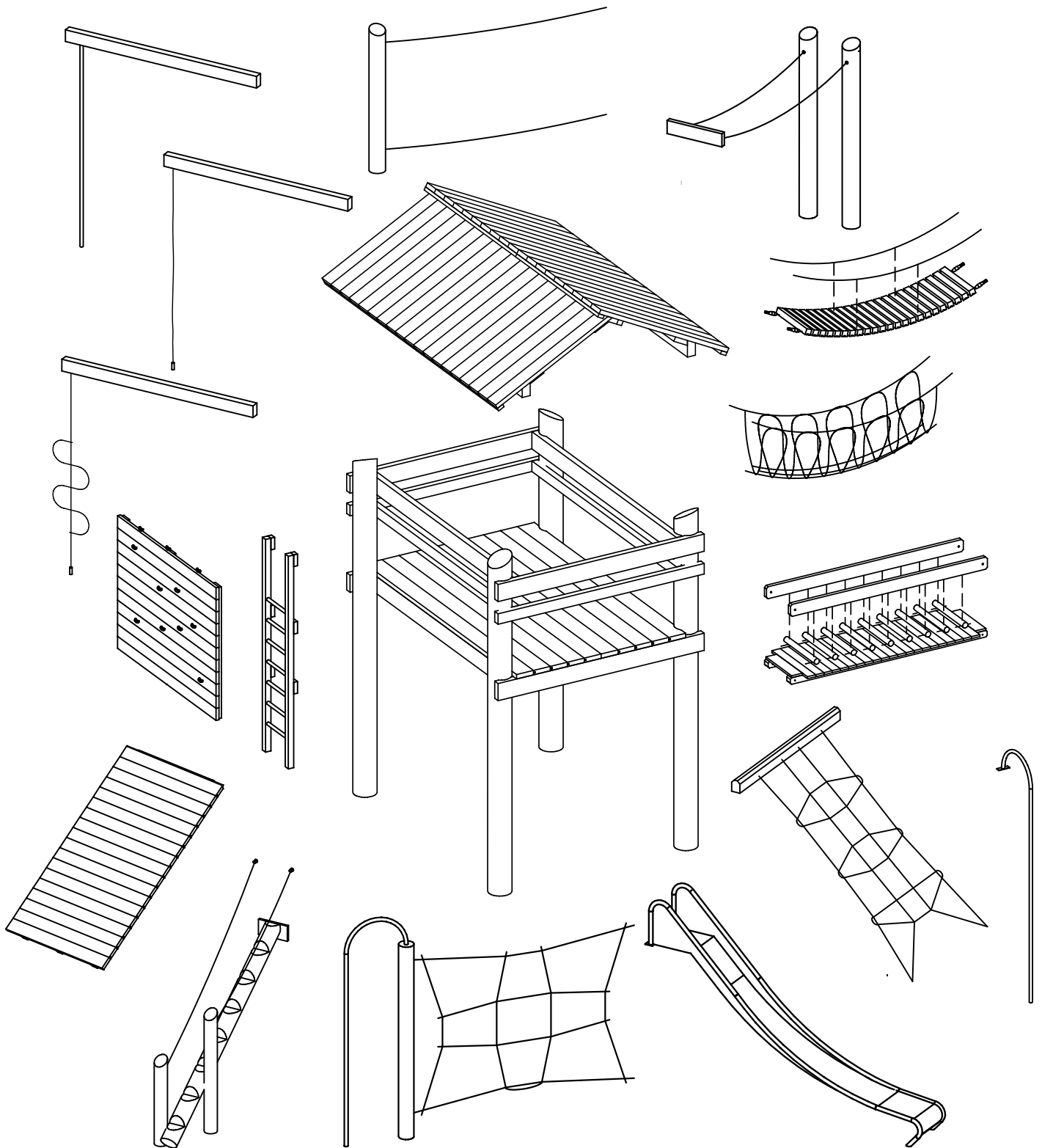
Order No. 3.67522
Inclined Wall
Order No. 3.69470
Holding Rope for Inclined Wall



P. 121, 123ff.

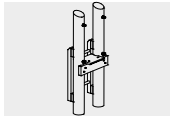
Order No. 3.63020
Stainless steel slide

**Standard elements for combination
with square platform / hexagonal platform 2.00 m
Order No. L3.26500 square platform
Order No. L3.28500 hexagonal platform**



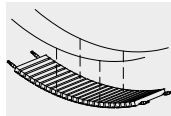
Standard elements for combination with platform 2.00 m

SUSPENSION BRIDGE ELEMENTS



P. 97

Order No. L3.66030
End Frame with Ladder



P. 97

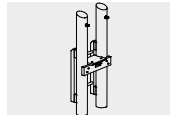
Order No. 3.66090ff.
Running Boards with
chain handrails (3, 4, 5 m)



P. 102

Order No. 3.66085
Support Frame for
Suspension Bridge

ROPE BRIDGE ELEMENTS



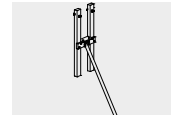
P. 98

Order No. L3.66520
End Frame with Ladder



P. 98

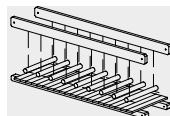
Order No. 3.66530ff.
Rope Bridge (2, 3, 4, 5 m)



P. 102

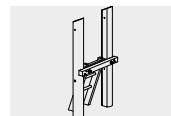
Order No. 3.66633
Support Frame for Rope Bridge

CHAIN PATH ELEMENTS



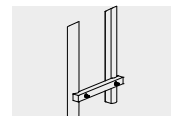
P. 99

Order No. 3.66260ff.
Walkway with / without safety
board for Chain (3, 4 m)



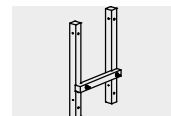
P. 99

Order No. L3.66220
End Frame with Ladder



P. 99

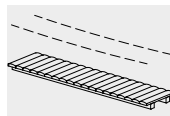
Order No. 3.66232
End Frame for Inclined Chain
Path without safety board



P. 102

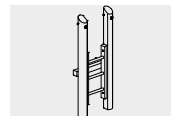
Order No. 3.66250
Support Frame for
Chain Path

BRIDGE ELEMENTS



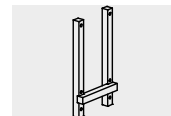
P. 100

Order No. 3.66300ff.
Bridge without / with
handrails (2, 3, 4, 5 m)



P. 100

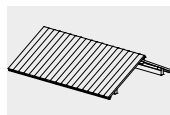
Order No. 3.66388
End Frame for ramp
with Ladder



P. 102

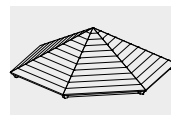
Order No. 3.66370
Support Frame for Bridge

MISCELLANEOUS ELEMENTS



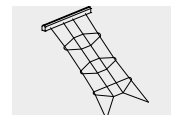
P. 93

Order No. 3.26800ff.
Roof for platform



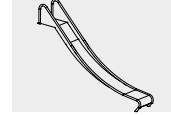
P. 94

Order No. 3.26920
Roof for hexagonal platform



P. 96

Order No. 3.69180
Inclined Climbing Net



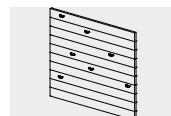
P. 122ff.

Order No. 3.63420
Stainless steel slide



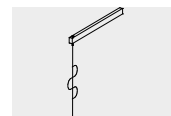
P. 101

Order No. 3.67380ff.
Ladder



P. 103

Order No. 3.67505ff.
Climbing Wall



P. 104

Order No. 3.69413
Rope Climbing Ladder
with beam



P. 104

Order No. 3.69451
Climbing Rope
with beam



P. 104

Order No. 3.69460
Straight firemen's pole
with beam



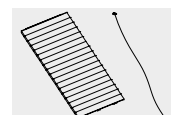
P. 104

Order No. 3.69464
Bent fireman's pole



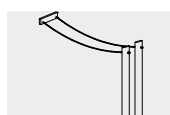
P. 105

Order No. L3.69350
Vertical Climbing Net
with firemen's pole



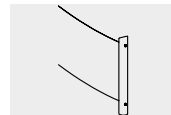
P. 106

Order No. 3.67499
Inclined Wall
Order No. 3.69440
Holding Rope for Inclined Wall



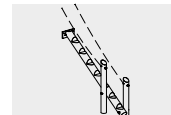
P. 107

Order No. L3.68510
Double Hanging Rope



P. 107

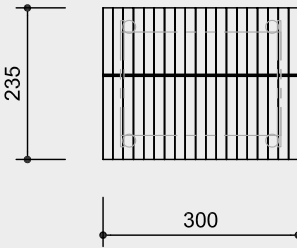
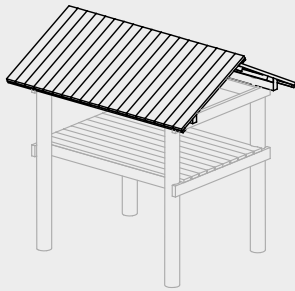
Order No. L3.69010
Balancing Rope with
Holding Rope



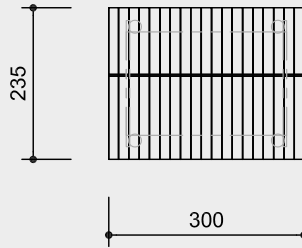
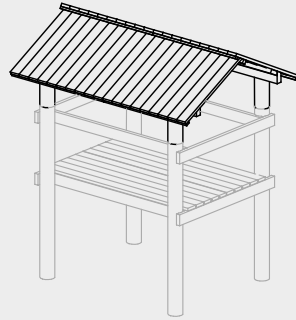
P. 108

Order No. 3.69521
Climbing Trunk with handrail

Order No. 3.26800
Roof for Square Platforms



Order No. 3.26900
Roof for Square Platforms
 for headroom



Safety distance →
 Device dimensions —●—
 Functional distance —|—

Scale 1:100

Safety check according to DIN EN 1176

Components

- 4 Roof sections each incl. supporting structure

Attention:
 Exact measurements may vary;
 for all installation dimensions refer to current assembly instructions.
 Technical changes reserved.

Technical information

Equipment made of non-impregnated mountain larch

Core-free

Sawn-timbers core-free, thus decreasing occurrences of cracking and undesired changes in shape



Tongue and groove

Tongue and groove planks made of 4 cm solid wood, highly resilient, no trickling of dust / sand, protection against direct rain



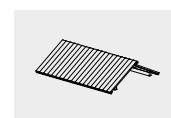
For more detailed explanation of the quality characteristics see price list.

Dimensions

(small deviations possible)

Order No. 3.26800 / 3.26900
Roof for Square Platforms

Roofed area 2.35 x 3.00 m
 Ridge height from platform 1.35 / 1.80 m
 Weight 200 kg






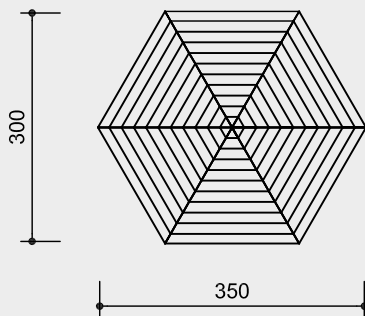
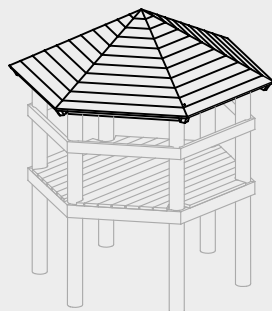
3.26800



3.26900

Order No. 3.26920
Roof for Hexagonal Platforms

Safety distance 
 Device dimensions 
 Functional distance 



Scale 1:100

Safety check according to DIN EN 1176

Components

6 Roof parts

Attention:
Exact measurements may vary;
for all installation dimensions refer
to current assembly instructions.
 Technical changes reserved.

Technical information

Equipment made of non-impregnated mountain larch

Core-free

Sawn-timbers core-free, thus decreasing occurrences of cracking and undesired changes in shape



Tongue and groove

Tongue and groove planks made of 4 cm solid wood, highly resilient, no trickling of dust / sand, protection against direct rain



For more detailed explanation of the quality characteristics see price list.

Dimensions

(small deviations possible)

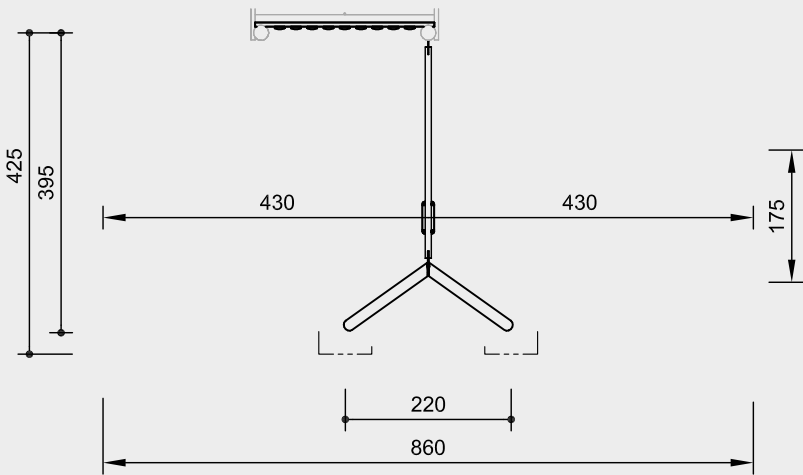
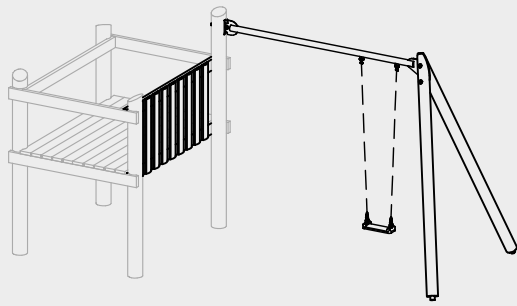
Roofed area	3.00 x 3.50 m
Weight	300 kg



3.26920

Order No. 3.19852
High Swing special long
 for attachment to Platform 1.50 m

Safety distance ———→
 Device dimensions ———●
 Functional distance ———|



Scale 1:100

Safety check according to DIN EN 1176

Components

- 1 Support frame with steel feet
- 1 Cross beam made of steel with joints
- 1 Swing seat with chains
- 1 Quarding section for platform

Dimensions

(small deviations possible)

Height	3.00 m
Vertical clearance	2.80 m
Length	3.95 m
Width	2.20 m
Weight	145 kg

Installation information

Surfacing requirements corresponding to a fall height of ≤ 2.00 m (please refer to price list for more detailed information)

Foundations
 2 items 60 x 70 x 40 cm
 Excavation depth 60 cm

Attention:
Exact measurements may vary;
for all installation dimensions refer to current assembly instructions.
 Technical changes reserved.

Technical information

Equipment made of non-impregnated mountain larch

Peeled white

Palisades peeled white means that bark, cambium and sapwood are removed, the natural shape of the trunk is preserved and can be experienced



Bevel cut

Vertical stand posts with bevelled end grain section as constructive wood preservation measure



Claddings

Claddings made of mountain larch (4 – 5 cm). Peeled white by hand, natural tree surface remains tangible and perceptible



Swing seat

Ergonomically shaped swing seat made of rubber with soft shock absorbing edge. Durable due to strong profiled steel insert



Swing joint

Drop-forged, hot-dip galvanised swing joint with sintered bush and integrated swivel



Profiled washer

Profiled washer for covering protruding screw heads according to standard, improved pressure distribution and protection against water. Impedes loosening the bolt



Interlocking

Interlocking connection, with milled metal rings or serrated disc dowels, to reinforce the bolt connection under high loads transverse to the grain direction of the wood



Sintered bush

For all reciprocating movements we use sintered plain bearings which are self-lubricating in use and can easily be exchanged if necessary



Ground anchor

All parts used for anchoring to the ground are made of hot-dip galvanised steel or stainless steel



Cross beam made of steel

Swing cross beam made of hot-dip galvanized steel. Optimized swing geometry with rigid corner connections, thus allowing for smaller foundations and easier foundation covering



Chains

Chains made of hot-dip galvanized steel (1.4301 / 1.4571 at extra charge) welded before galvanising, short-linked, without eyelets on the connecting parts, easy to exchange and shorten



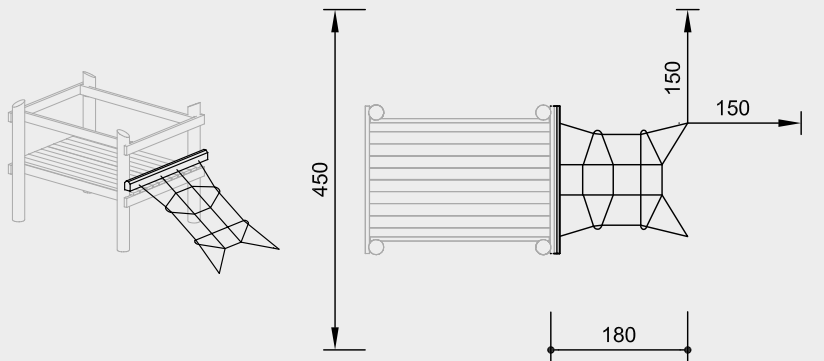
For more detailed explanation of the quality characteristics see price list.

© Richter Spielgeräte GmbH 06/22

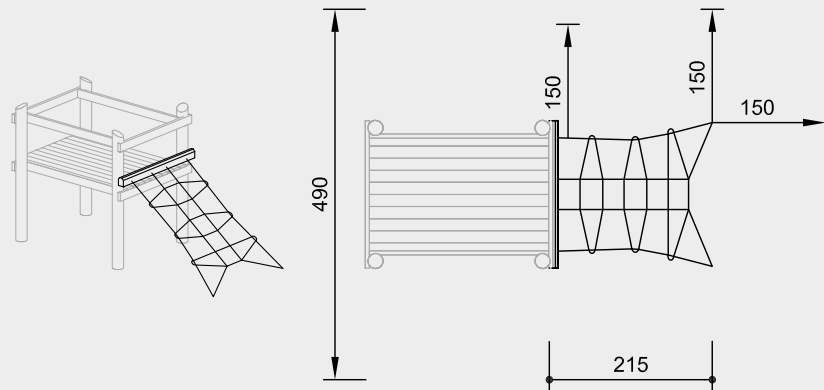


3.19852

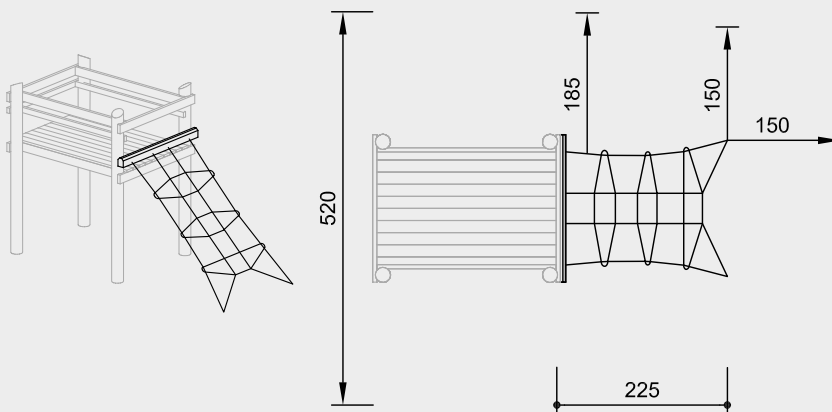
Order No. 3.69140
Inclined Climbing Net
 for attachment to Platform 1.00 m



Order No. 3.69160
Inclined Climbing Net
 for attachment to Platform 1.50 m



Order No. 3.69180
Inclined Climbing Net
 for attachment to Platform 2.00 m



Scale 1:100

Safety check according to DIN EN 1176

Technical information

Wooden parts made of mountain larch

Core-free

Sawn-timbers core-free, thus decreasing occurrences of cracking and undesired changes in shape



Richter Hercules type rope

Richter Hercules type rope, a combination of galvanised six-strand steel cables and polyester yarn, diameter > 20 mm, laid and glued with very good abrasion resistance, strong sheathing even in the case of damage by puncturing



Aluminium rope pressing

Aluminium rope pressing, cylindrically pressed, with rounded ends



S-connectors

S-connectors Ø 8.1 mm, made of high-quality stainless steel, rounded



Rope connection fixed

Fixed rope connection without dangerous openings. Screw connection adjustable and countersunk in the wood



Profiled washer

Profiled washer for covering protruding screw heads according to standard, improved pressure distribution and protection against water. Impedes loosening the bolt



Adjustable

Adjustable two-piece bolt connection, easy to maintain, no projecting threads



For more detailed explanation of the quality characteristics see price list.

Dimensions

(small deviations possible)

Order No. 3.69140

Net	1.50 x 2.00 m
Installation height	1.00 m
Weight	55 kg

Order No. 3.69160

Net	1.50 x 2.50 m
Installation height	1.50 m
Weight	60 kg

Order No. 3.69180

Net	1.50 x 3.00 m
Installation height	2.00 m
Weight	65 kg

Components

1 Inclined climbing net with cross beam

Installation information

Surfacing requirements corresponding to a fall height determined by installation height (please refer to price list for more detailed information)

Foundations
 2 items 50 x 50 x 40 cm
 Excavation depth 80 cm

Attention:

Exact measurements may vary; for all installation dimensions refer to current assembly instructions.
 Technical changes reserved.



3.69140

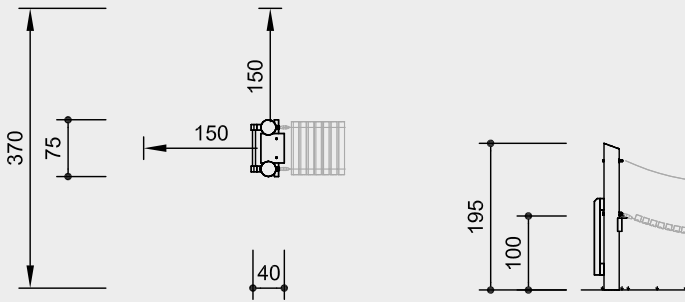


3.69160



3.69180

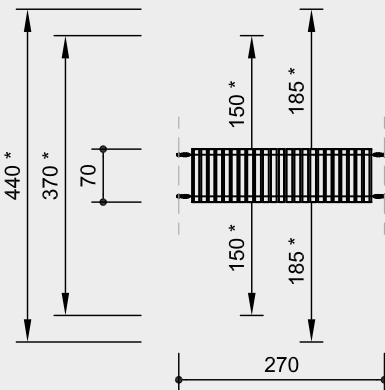
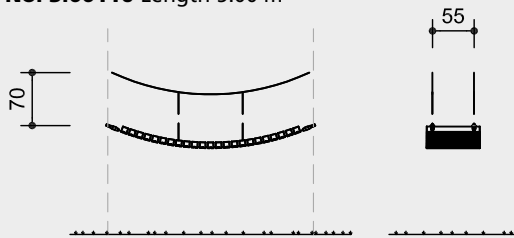
Order No. L3.66030
End Frame with Ladder



Safety distance ———→
 Device dimensions ———●
 Functional distance ———|

Order No. 3.66090 - 3.66110
Running Boards for Suspension Bridges with chain handrails

Order No. 3.66090 Length 3.00 m
Order No. 3.66100 Length 4.00 m
Order No. 3.66110 Length 5.00 m



* Depending on the height of installation, the safety distances will increase from a minimum of 1.50 m up to 1.85 m.

Scale 1:100

Safety check according to DIN EN 1176

Components

Order No. L3.66030

1 End frame of round timbers with steel feet and ladder for towers / platforms

Order No. 3.66090 - 3.66110

1 Walkway with chain handrails and distance battens

Dimensions

(small deviations possible)

Order No. L3.66030

Weight 100 kg
Order No. 3.66090 / 3.66100 / 3.66110
 Walkway length 3.00 / 4.00 / 5.00 m
 Walkway width 0.70 m
 Running boards 75 x 75 mm
 Weight 50 / 65 / 80 kg

Installation information

Surfacing requirements depends on the installation conditions (please refer to price list for more detailed information)

Foundations

Order No. L3.66030
End Frame with Ladder
 1 item 125 x 120 x 60 cm
 Excavation depth 80 cm

Attention:

Exact measurements may vary; for all installation dimensions refer to current assembly instructions.

Technical changes reserved.

For more detailed explanation of the quality characteristics see price list.

Technical information

Order No. L3.66030

Equipment made of mountain larch

Peeled white

Palisades peeled white means that bark, cambium and sapwood are removed, the natural shape of the trunk is preserved and can be experienced



Bevel cut

Vertical stand posts with bevelled end grain section as constructive wood preservation measure



Hardwood rungs

Climbing rungs made of hardwood (ash) Ø 4.2 cm, milled and mortised, secured against twisting, easy to grip and not cold for children to touch



Plywood

Plywood made of mountain larch, three-layer (3 cm) or five-layer (4 cm). High dimensional stability, waterproof, glued according to DIN EN 13353:2011



Profiled washer

Profiled washer for covering protruding screw heads according to standard, improved pressure distribution and protection against water. Impedes loosening the bolt



Adjustable

Adjustable two-piece bolt connection, easy to maintain, no projecting threads



Ground anchor

All parts used for anchoring to the ground are made of hot-dip galvanised steel or stainless steel



Order No. 3.66090 - 3.66110

Running boards made of mountain larch

Core-free

Sawn-timbers core-free, thus decreasing occurrences of cracking and undesired changes in shape



Rope connection with joint

Close-fitting connection with joint, without dangerous openings, with sintered bush and adjustable screw connection



Sintered bush

For all reciprocating movements we use sintered plain bearings which are self-lubricating in use and can easily be exchanged if necessary

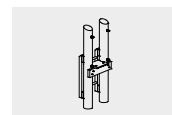


Stainless Chains

Chains made of steel with high corrosion resistance. Short-linked, without eyelets on the connecting parts, easily replaceable and simple shortening



Carrying rope Ø 18 mm of Hercules type with steel core, suspended on drop-forged joints

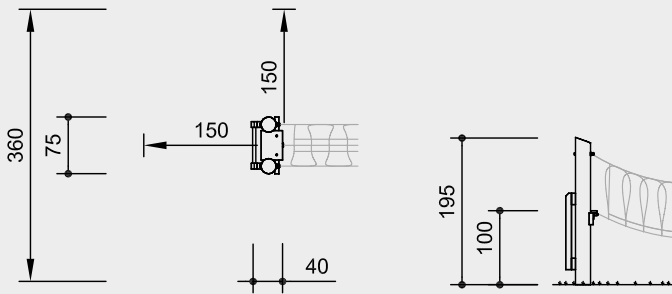


L3.66030



3.66090 - 3.66110

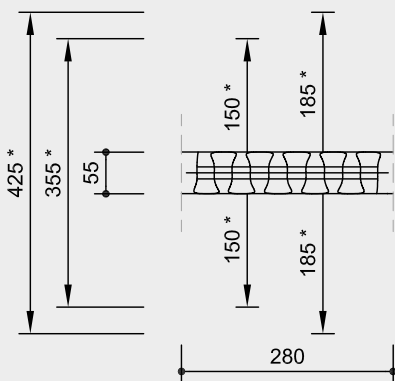
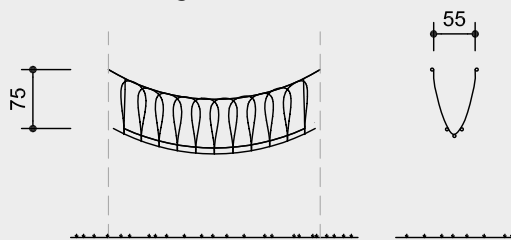
Order No. L3.66520
End Frame with Ladder



Safety distance →
Device dimensions ●
Functional distance —

Order No. 3.66530 - 3.66570
Rope Bridge

- Order No. 3.66530** Length 2.00 m
- Order No. 3.66550** Length 3.00 m
- Order No. 3.66560** Length 4.00 m
- Order No. 3.66570** Length 5.00 m



* Depending on the height of installation, the safety distances will increase from a minimum of 1.50 m up to 1.85 m.

Scale 1:100

Safety check according to DIN EN 1176

Components

Order No. L3.66520

1 End frame of round timbers with steel feet and ladder for towers / platforms

Order No. 3.66530 - 3.66570

1 Rope bridge with distance battens

Dimensions

(small deviations possible)

Order No. L3.66520

Weight 100 kg

Order No.

3.66530 / 3.66550 / 3.66560 / 3.66570

Walkway length 2.00 / 3.00 / 4.00 / 5.00 m

Walkway width 0.55 m

Weight 27 / 40 / 53 / 66 kg

Installation information

Surfacing requirements corresponding to a fall height of depends on the installation conditions (please refer to price list for more detailed information)

Foundations

Order No. L3.66520
End Frame with Ladder

1 item 125 x 120 x 60 cm
Excavation depth 80 cm

Attention:

Exact measurements may vary; for all installation dimensions refer to current assembly instructions.

Technical changes reserved.

Technical information

Order No. L3.66520

Equipment made of mountain larch

Peeled white

Palisades peeled white means that bark, cambium and sapwood are removed, the natural shape of the trunk is preserved and can be experienced



Bevel cut

Vertical stand posts with bevelled end grain section as constructive wood preservation measure



Hardwood rungs

Climbing rungs made of hardwood (ash) Ø 4.2 cm, milled and mortised, secured against twisting, easy to grip and not cold for children to touch



Plywood

Plywood made of mountain larch, three-layer (3 cm) or five-layer (4 cm). High dimensional stability, waterproof, glued according to DIN EN 13353:2011



Profiled washer

Profiled washer for covering protruding screw heads according to standard, improved pressure distribution and protection against water. Impedes loosening the bolt



Adjustable

Adjustable two-piece bolt connection, easy to maintain, no projecting threads



Ground anchor

All parts used for anchoring to the ground are made of hot-dip galvanised steel or stainless steel



Order No. 3.66530 - 3.66570

Richter Hercules type rope

Richter Hercules type rope, a combination of galvanised six-strand steel cables and polyester yarn, diameter > 20 mm, laid and glued with very good abrasion resistance, strong sheathing even in the case of damage by puncturing



Aluminium rope pressing

Aluminium rope pressing, cylindrically pressed, with rounded ends



S-connectors

S-connectors Ø 8.1 mm, made of high-quality stainless steel, rounded



Rope connection with joint

Close-fitting connection with joint, without dangerous openings, with sintered bush and adjustable screw connection

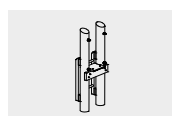


Sintered bush

For all reciprocating movements we use sintered plain bearings which are self-lubricating in use and can easily be exchanged if necessary



For more detailed explanation of the quality characteristics see price list.



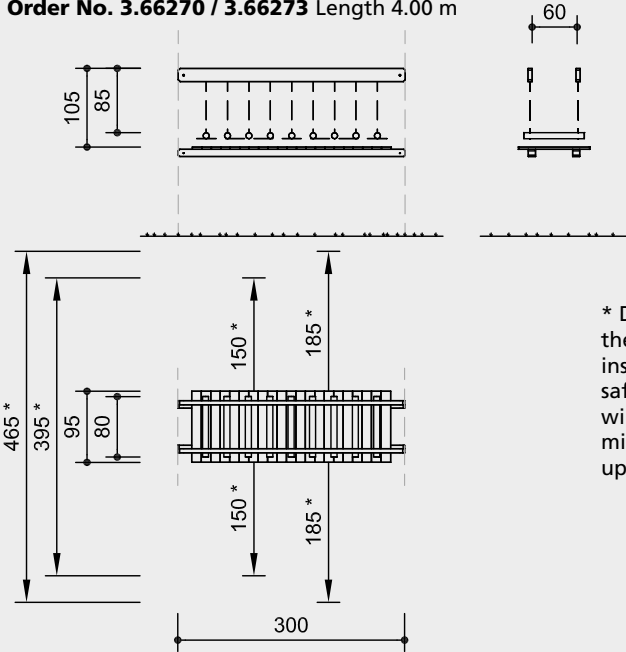
L3.66520



3.66530 - 3.66570

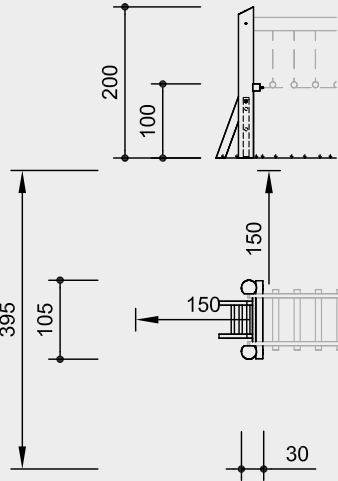
**Running Board Timbers
for Chain Path with / without safety board**
Order No. 3.66260 / 3.66263 Length 3.00 m
Order No. 3.66270 / 3.66273 Length 4.00 m

Safety distance →
Device dimensions ●
Functional distance —

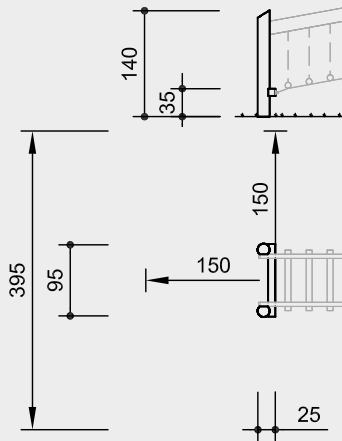


* Depending on the height of installation, the safety distances will increase from a minimum of 1.50 m up to 1.85 m.

**Order No. L3.66220
End Frame with Ladder**



**Order No. 3.66232
End Frame for Inclined Chain Path
without Safety Floor**



Scale 1:100

Safety check according to DIN EN 1176

Components

Order No. 3.66260 / 3.66270

- 2 Handrails with running board timbers and chains
- 1 Safety board

Order No. 3.66263 / 3.66273

- 2 Handrails with running board timbers and chains

Order No. L3.66220

- 1 End frame made of round timber with steel feet and ladder for towers / platforms

Order No. 3.66232

- 1 End frame made of round timber with steel feet for inclined chain path for towers / platforms

Installation information

Surfacing requirements corresponding to a fall height of depends on the installation conditions (please refer to price list for more detailed information)

Foundations

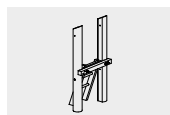
**Order No. L3.66220
End Frame with Ladder**

- 2 items 60 x 60 x 60
- Excavation depth 80 cm
- 1 item 60 x 30 x 30
- Excavation depth 50 cm

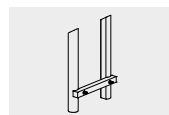
**Order No. 3.66232
End Frame for Inclined Chain Path**

- 2 items 60 x 60 x 60
- Excavation depth 80 cm

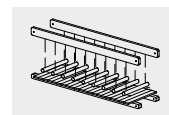
Attention:
Exact measurements may vary; for all installation dimensions refer to current assembly instructions.
Technical changes reserved.



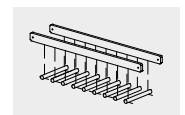
L3.66220



3.66232



3.66260 / 3.66270



3.66263 / 3.66273

Technische Angaben

Equipment made of mountain larch

**Order No.
3.66260 / 3.66263 / 3.66270 / 3.66273**

Core-free

Sawn-timbers core-free, thus decreasing occurrences of cracking and undesired changes in shape



Chains

Chains made of hot-dip galvanized steel (1.4301 / 1.4571 at extra charge) welded before galvanising, short-linked, without eyelets on the connecting parts, easy to exchange and shorten



Order No. L3.66220 / 3.66232

Peeled white

Palisades peeled white means that bark, cambium and sapwood are removed, the natural shape of the trunk is preserved and can be experienced



Bevel cut

Vertical stand posts with bevelled end grain section as constructive wood preservation measure



Core-free

Sawn-timbers core-free, thus decreasing occurrences of cracking and undesired changes in shape



Profiled washer

Profiled washer for covering protruding screw heads according to standard, improved pressure distribution and protection against water. Impedes loosening the bolt



Adjustable

Adjustable two-piece bolt connection, easy to maintain, no projecting threads



Ground anchor

All parts used for anchoring to the ground are made of hot-dip galvanized steel or stainless steel



Order No. L3.66220

As above, but in addition with

Hardwood rungs

Climbing rungs made of hardwood (ash) Ø 4.2 cm, milled and mortised, secured against twisting, easy to grip and not cold for children to touch



For more detailed explanation of the quality characteristics see price list.

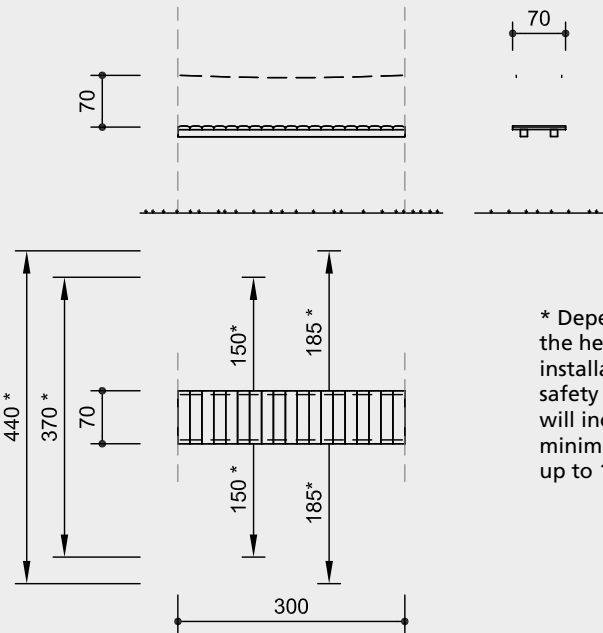
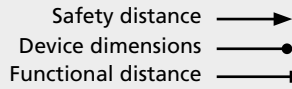
Dimensions

(small deviations possible)

Handrail length	3.00 / 4.00 m
Width	0.95 m
Running boards diameter	80 mm
Weight	120 / 160 kg
End frame with ladder	100 kg
End frame for inclined chain path	70 kg

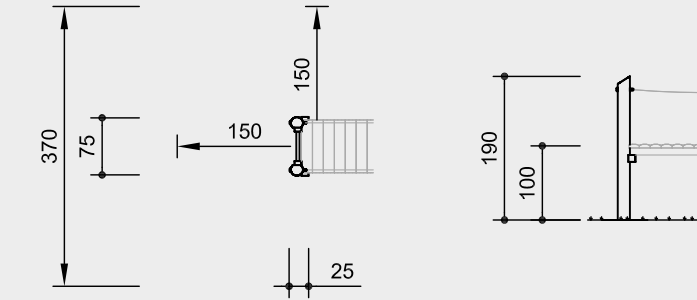
Rigid Bridge with chain handrail

- Order No. 3.66420** Length 2.00 m
- Order No. 3.66320** Length 3.00 m
- Order No. 3.66330** Length 4.00 m
- Order No. 3.66340** Length 5.00 m



* Depending on the height of installation, the safety distances will increase from a minimum of 1.50 m up to 1.85 m.

Order No. 3.66388
End Frame for Ramp with Ladder



Scale 1:100

Safety check according to DIN EN 1176

Components

- Order No. 3.66300**
1 Rigid bridge, Length 3.00 m
- Order No. 3.66420 / 3.66320 / 3.66330 / 3.66340**
1 Rigid bridge with chain handrails, Length 2.00 / 3.00 / 4.00 / 5.00 m
- Order No. 3.66388**
1 End Frame for Ramp made of round timbers with steel feet and ladder for towers / platforms

Installation information

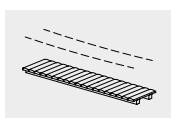
Surfacing requirements corresponding to a fall height of depends on the installation conditions (please refer to price list for more detailed information)

Foundations
Order No. 3.66388
End Frame for Ramp with Ladder
1 item 60 x 120 x 50 cm
Excavation depth 80 cm

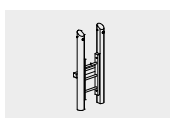
Attention:
Exact measurements may vary; for all installation dimensions refer to current assembly instructions.
Technical changes reserved.



3.66300



3.66320 - 3.66340 / 3.66420



3.66388

Technische Angaben

Equipment made of mountain larch

Order No. 3.66300

Core-free

Sawn-timbers core-free, thus decreasing occurrences of cracking and undesired changes in shape



Claddings

Claddings made of mountain larch (4 - 5 cm). Peeled white by hand, natural tree surface remains tangible and perceptible



Order No. 3.66420 / 3.66320 / 3.66330 / 3.66340

As above, but in addition with

Chains

Chains made of hot-dip galvanized steel (1.4301 / 1.4571 at extra charge) welded before galvanising, short-linked, without eyelets on the connecting parts, easy to exchange and shorten



Order No. 3.66388

Peeled white

Palisades peeled white means that bark, cambium and sapwood are removed, the natural shape of the trunk is preserved and can be experienced



Bevel cut

Vertical stand posts with bevelled end grain section as constructive wood preservation measure



Core-free

Sawn-timbers core-free, thus decreasing occurrences of cracking and undesired changes in shape



Hardwood rungs

Climbing rungs made of hardwood (ash) Ø 4.2 cm, milled and mortised, secured against twisting, easy to grip and not cold for children to touch



Profiled washer

Profiled washer for covering protruding screw heads according to standard, improved pressure distribution and protection against water. Impedes loosening the bolt



Ground anchor

All parts used for anchoring to the ground are made of hot-dip galvanised steel or stainless steel



For more detailed explanation of the quality characteristics see price list.

Dimensions

(small deviations possible)

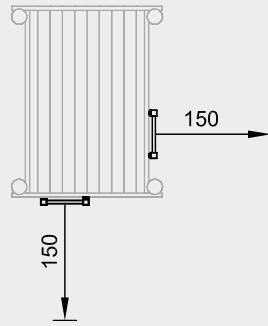
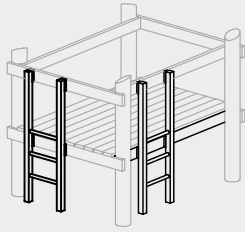
Order No. 3.66420 / 3.66320 / 3.66330 / 3.66340

Length of bridge	2.00 / 3.00 / 4.00 / 5.00 m
Width	0.70 m
Weight	80 / 110 / 146 / 183 kg
End frame	50 kg

Order No. 3.67340 / 3.67350

Ladder

for attachment to Platform 1.00 m
short side / long side



Safety distance
 Device dimensions
 Functional distance

Technical information

Equipment made of non-impregnated mountain larch

Core-free

Sawn-timbers core-free, thus decreasing occurrences of cracking and undesired changes in shape



Hardwood rungs

Climbing rungs made of hardwood (ash) Ø 4.2 cm, milled and mortised, secured against twisting, easy to grip and not cold for children to touch



For more detailed explanation of the quality characteristics see price list.

Dimensions

(small deviations possible)

Order No. 3.67340 / 3.67350

Length	1.80 m
Width	0.62 m
Weight	14.5 kg

Order No. 3.67360 / 3.67370

Length	2.30 m
Width	0.62 m
Weight	17.5 kg

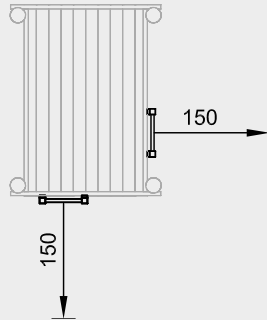
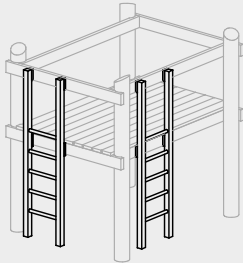
Order No. 3.67380 / 3.67390

Length	2.80 m
Width	0.62 m
Weight	20.5 kg

Order No. 3.67360 / 3.67370

Ladder

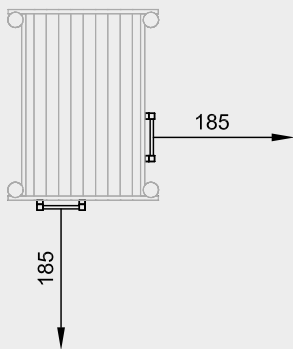
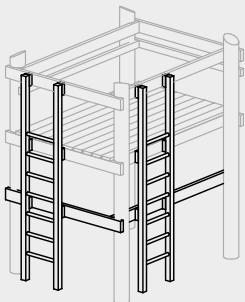
for attachment to Platform 1.50 m
short side / long side



Order No. 3.67380 / 3.67390

Ladder

for attachment to Platform 2.00 m
short side / long side



Scale 1:100

Components

1 Ladder

Installation information

Surfacing requirements corresponding to a fall height determined by installation height (please refer to price list for more detailed information)

Attention:

Exact measurements may vary; for all installation dimensions refer to current assembly instructions.

Technical changes reserved.

© Richter Spielgeräte GmbH 06/22

Safety check according to DIN EN 1176



3.67340 / 3.67350

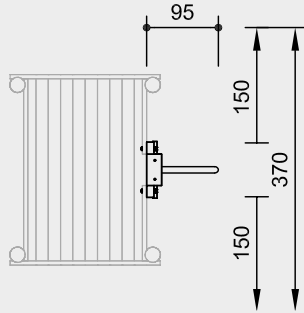
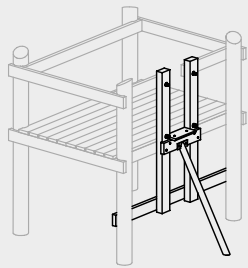


3.67360 / 3.67370



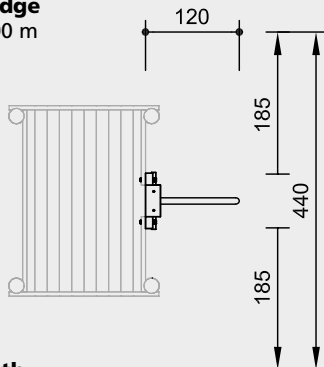
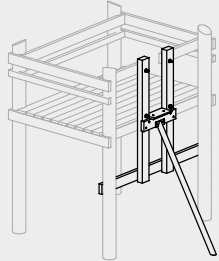
3.67380 / 3.67390

Order No. 3.66075
Support Frame for Suspension Bridge
Order No. 3.66623
Support Frame for Rope Bridge
 for attachment to Platform 1.50 m

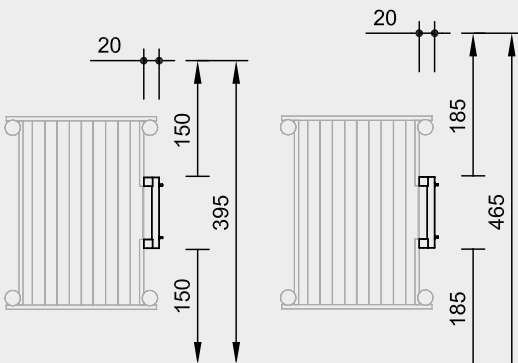
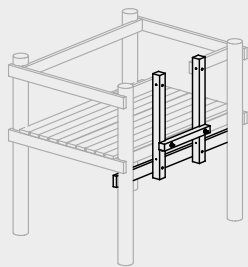


Safety distance →
 Device dimensions —●—
 Functional distance —|—

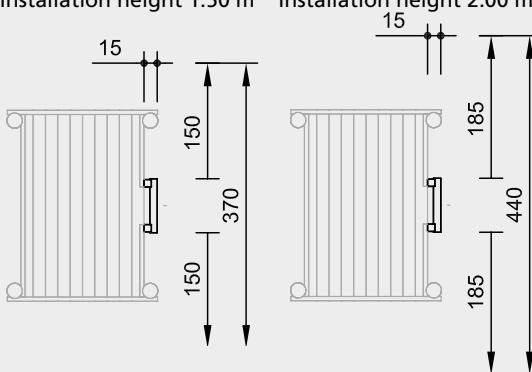
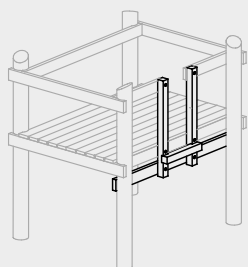
Order No. 3.66085
Support Frame for Suspension Bridge
Order No. 3.66633
Support Frame for Rope Bridge
 for attachment to Platform 2.00 m



Order No. 3.66250
Support Frame for Chain Path
 for attachment to Platforms Installation height 1.50 m Installation height 2.00 m



Order No. 3.66370
Support Frame for Bridges
 for attachment to Platforms Installation height 1.50 m Installation height 2.00 m



Scale 1:100

Safety check according to DIN EN 1176

Technical information

Equipment made of non-impregnated mountain larch

Core-free
 Sawn-timbers core-free, thus decreasing occurrences of cracking and undesired changes in shape



Profiled washer
 Profiled washer for covering protruding screw heads according to standard, improved pressure distribution and protection against water. Impedes loosening the bolt



Ground anchor
 All parts used for anchoring to the ground are made of hot-dip galvanised steel or stainless steel



For more detailed explanation of the quality characteristics see price list.

Metal braces hot-dip galvanised, Ø 83 mm

Components

- 1 Frame each with metal brace in the case of suspension bridges and rope bridges

Installation information

Surfacing requirements corresponding to a fall height determined by installation height (please refer to price list for more detailed information)

Foundations
Order No. 3.66075 / 3.66085
Support Frame for Suspension Bridge
Order No. 3.66623 / 3.66633
Support Frame for Rope Bridge
 1 item 60 x 60 x 40 cm
 Excavation depth 60 cm

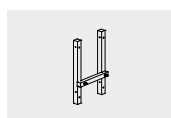
Attention:
Exact measurements may vary; for all installation dimensions refer to current assembly instructions.
 Technical changes reserved.



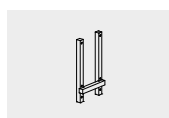
3.66075 / 3.66623



3.66085 / 3.66633



3.66250

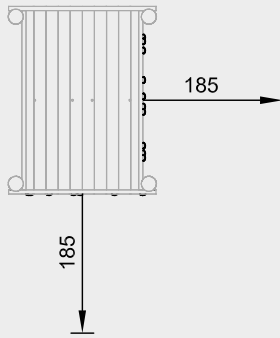
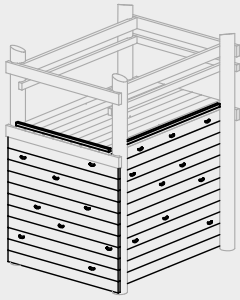


3.66370

Order No. 3.67505 / 3.67506

Climbing Walls

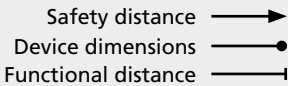
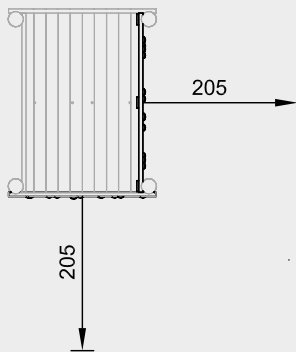
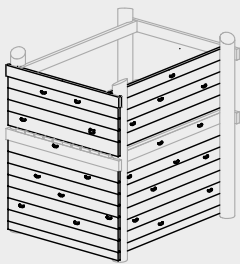
for attachment to Platform 2.00 m
short side / long side



Order No. 3.67515 / 3.67516

Climbing Walls

for attachment to Platform 1.50 m
short side / long side



Scale 1:100

Technical information

Equipment made of non-impregnated mountain larch

Core-free

Sawn-timbers core-free, thus decreasing occurrences of cracking and undesired changes in shape



Tongue and groove

Tongue and groove planks made of 4 cm solid wood, highly resilient, no trickling of dust / sand, protection against direct rain



For more detailed explanation of the quality characteristics see price list.

Professional climbing grips made of a mixture of sand-synthetic resin with 100% safe anti-rotation system against unintended twisting of the grips

Dimensions

(small deviations possible)

Order No. 3.67505

Height 2.00 m
Width 2.00 m

Order No. 3.67506

Height 2.00 m
Width 2.40 m

Order No. 3.67515

Height 2.30 m
Width 2.00 m

Order No. 3.67516

Height 2.30 m
Width 2.40 m

© Richter Spielgeräte GmbH 06/22

Safety check according to DIN EN 1176

Components

Order No. 3.67505

1 Climbing wall
with 8 climbing grips

Order No. 3.67506

1 Climbing wall
with 11 climbing grips

Order No. 3.67515

1 Climbing wall
with 10 climbing grips

Order No. 3.67516

1 Climbing wall
with 13 climbing grips

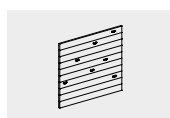
Installation information

Surfacing requirements corresponding to a fall height of
Order No. 3.67505 / 3.67506 ≤ 2.00 m
Order No. 3.67515 / 3.67516 ≤ 3.00 m
(please refer to price list for more detailed information)

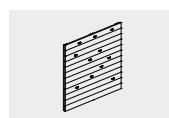
Attention:

Exact measurements may vary; for all installation dimensions refer to current assembly instructions.

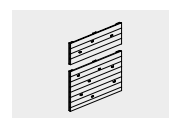
Technical changes reserved.



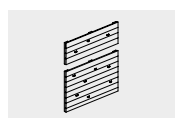
3.67505



3.67506

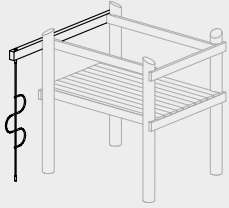


3.67515

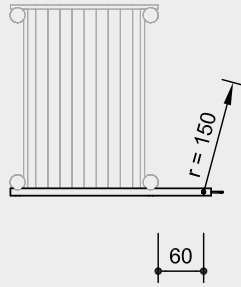


3.67516

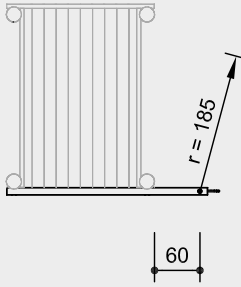
Climbing Ladder with Beam



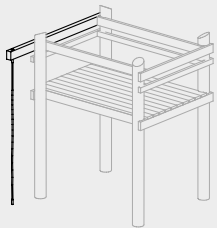
Order No. 3.69412
for Platform 1.50 m



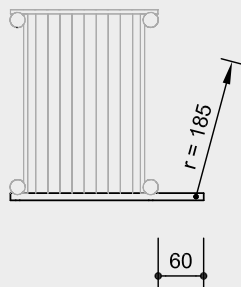
Order No. 3.69413
for Platform 2.00 m



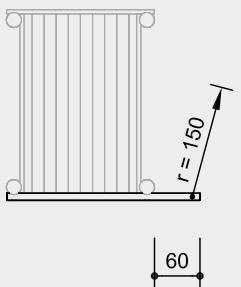
Climbing Rope with Beam



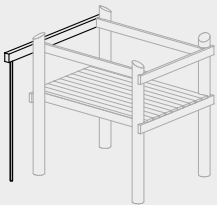
Order No. 3.69451
for Platform 2.00 m



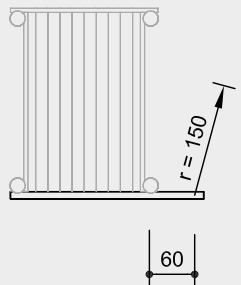
Order No. 3.69452
for Platform 1.50 m



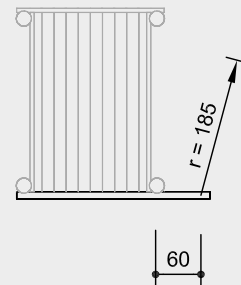
Straight Firemen's Pole with Beam



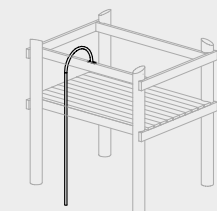
Order No. 3.69460
for Platform 1.50 m



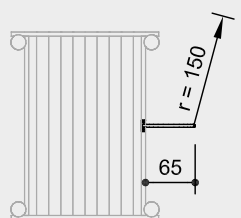
for Platform 2.00 m



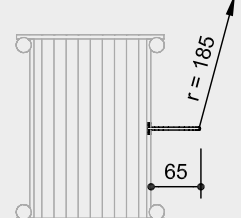
Bent Firemen's Pole



Order No. 3.69464
for Platform 1.50 m



for Platform 2.00 m



Scale 1:100

Safety check according to DIN EN 1176

Attention:
Exact measurements may vary;
for all installation dimensions refer
to current assembly instructions.
Technical changes reserved.



3.69413



3.69451



3.69460



3.69464

Technical information

Order No.
3.69412 / 3.69413 / 3.69451 / 3.69452

Core-free

Sawn-timbers core-free, thus decreasing occurrences of cracking and undesired changes in shape



Richter Hercules type rope

Richter Hercules type rope, a combination of galvanised six-strand steel cables and polyester yarn, diameter > 20 mm, laid and glued with very good abrasion resistance, strong sheathing even in the case of damage by puncturing



Rope connection fixed

Fixed rope connection without dangerous openings. Screw connection adjustable and countersunk in the wood



Chains

Chains made of hot-dip galvanized steel (1.4301 / 1.4571 at extra charge) welded before galvanising, short-linked, without eyelets on the connecting parts, easy to exchange and shorten



Order No. 3.69460

Firemen's pole made of stainless steel, glass bead blasted, Ø 42 mm

Core-free

Sawn-timbers core-free, thus decreasing occurrences of cracking and undesired changes in shape



Ground anchor

All parts used for anchoring to the ground are made of hot-dip galvanized steel or stainless steel



Order No. 3.69464

Firemen's pole made of stainless steel, glass bead blasted, Ø 42 mm

Ground anchor

All parts used for anchoring to the ground are made of hot-dip galvanized steel or stainless steel



For more detailed explanation of the quality characteristics see price list.

Components

Order No. 3.69412 / 3.69413

1 Climbing ladder with beam and chain as anchoring to the ground each

Order No. 3.69451 / 3.69452

1 Climbing rope with beam and chain as anchoring to the ground each

Order No. 3.69460

1 Straight firemen's pole with beam

Order No. 3.69464

1 Bent fireman's pole

Installation information

Surfacing requirements fall height determined by platform height (please refer to price list for more detailed information)

Foundations

Order No

3.69412 / 3.69413 / 3.69451 / 3.69452

1 item 30 x 30 x 30 cm




Excavation depth 50 cm

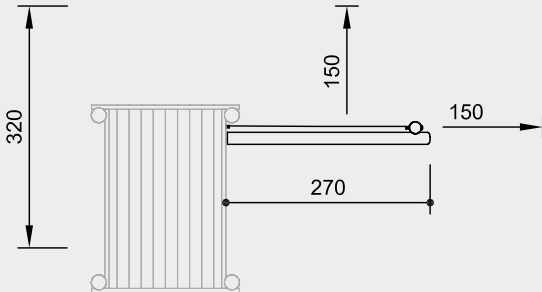
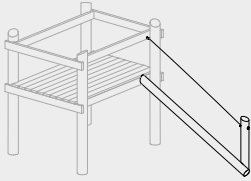
Order No 3.69460 / 3.69464

1 item 30 x 30 x 30 cm

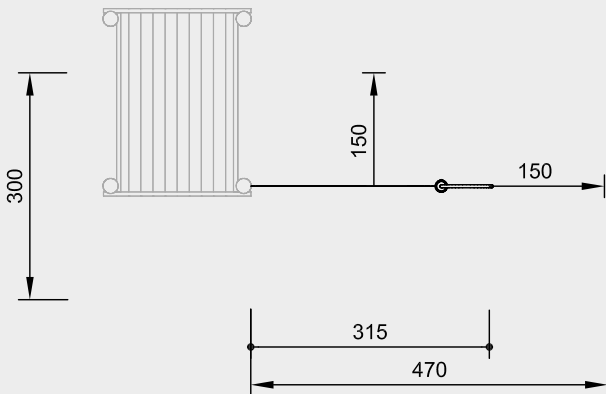
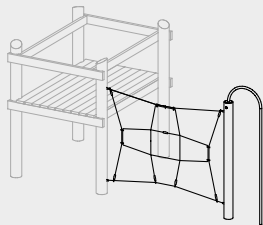
Excavation depth 60 cm

Order No. 3.68301
Inclined Balancing Beam
 for attachment to Platform 1.50 m

Safety distance 
 Device dimensions 
 Functional distance 



Order No. L3.69350
Vertical Climbing Net
 for attachment to Platform



Scale 1:100

Safety check according to DIN EN 1176

Components

Order No. 3.68301
Inclined Balancing Beam

- 1 Inclined balancing beam
- 1 Stand post with steel foot and chain handrail

Order No. L3.69350
Vertical Climbing Net

- 1 Vertical net with 1 stand post with steel foot
- 1 Bent fireman's pole

Installation information

Surfacing requirements corresponding to a fall height of ≤ 1.50 m (please refer to price list for more detailed information)

Foundations

- Order No. 3.68301**
 1 item 60 x 60 x 50 cm
 Excavation depth 80 cm
- Order No. L3.69350**
 1 item 60 x 60 x 60 cm
 Excavation depth 80 cm
- 1 item 55 x 40 x 30 cm
 Excavation depth 50 cm

Attention:

Exact measurements may vary; for all installation dimensions refer to current assembly instructions.
 Technical changes reserved.

Technical information

Equipment made of mountain larch

Order No. 3.68301
Inclined Balancing Beam

Peeled white

Palisades peeled white means that bark, cambium and sapwood are removed, the natural shape of the trunk is preserved and can be experienced



Bevel cut

Vertical stand posts with bevelled end grain section as constructive wood preservation measure



Ground anchor

All parts used for anchoring to the ground are made of hot-dip galvanised steel or stainless steel



Chains

Chains made of hot-dip galvanized steel (1.4301 / 1.4571 at extra charge) welded before galvanising, short-linked, without eyelets on the connecting parts, easy to exchange and shorten



Order No. L3.69350
Vertical Climbing Net

Peeled white

Palisades peeled white means that bark, cambium and sapwood are removed, the natural shape of the trunk is preserved and can be experienced



Richter Hercules type rope

Richter Hercules type rope, a combination of galvanised six-strand steel cables and polyester yarn, diameter > 20 mm, laid and glued with very good abrasion resistance, strong sheathing even in the case of damage by puncturing



Aluminium rope pressing

Aluminium rope pressing, cylindrically pressed, with rounded ends



S-connectors

S-connectors $\varnothing 8.1$ mm, made of high-quality stainless steel, rounded



Ground anchor

All parts used for anchoring to the ground are made of hot-dip galvanised steel or stainless steel



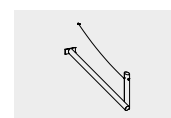
For more detailed explanation of the quality characteristics see price list.

Firemen's pole of stainless steel, glass bead blasted, $\varnothing 42$ mm

Dimensions

(small deviations possible)

Order No. 3.68301	
Length	3.00 m
Weight	100 kg
Order No. L3.69350	
Height of net	2.00 m
Net size	1.75 x 2.50 m
Weight	70 kg



3.68301

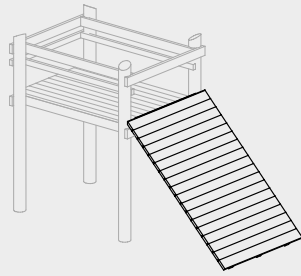


L3.69350

Order No. 3.67499

Inclined Wall

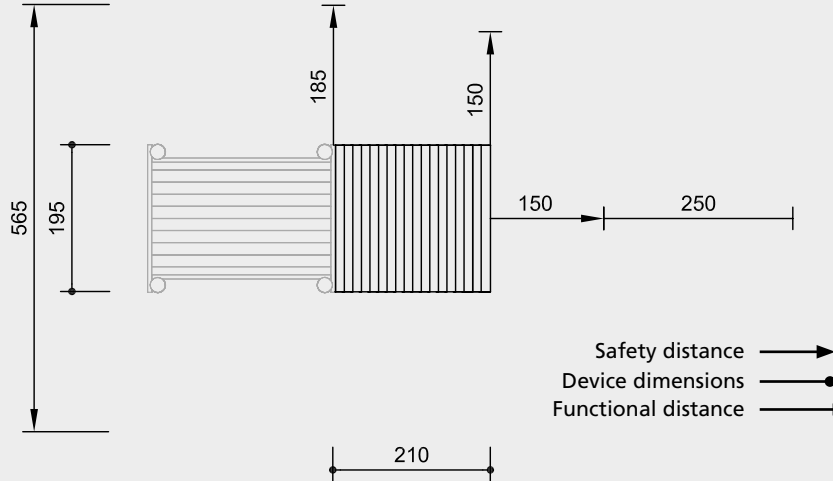
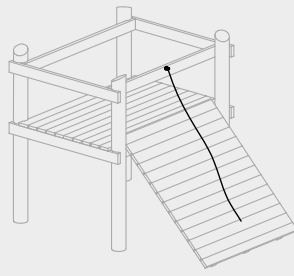
for attachment to Platform 2.00 m



Order No. 3.69440

Holding Rope

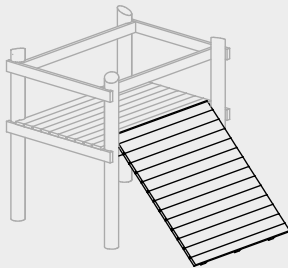
for Inclined Wall,
installation height 2.00 m



Order No. 3.67522

Inclined Wall

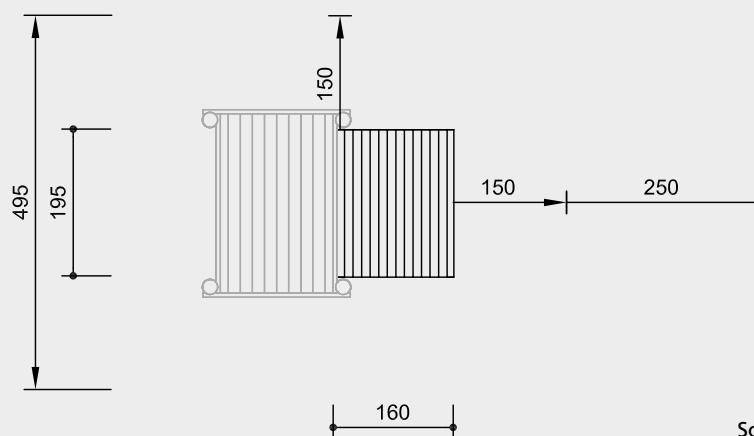
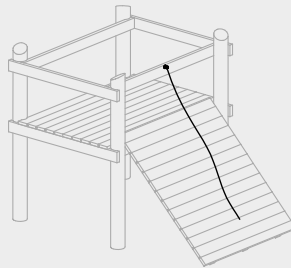
for attachment to Platform 1.50 m



Order No. 3.69470

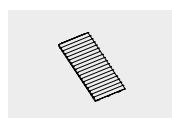
Holding Rope

for Inclined Wall,
installation height 1.50 m

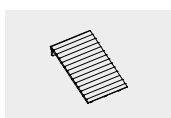


Scale 1:100

Safety check according to DIN EN 1176



3.67499



3.67522



3.69440 / 3.69470

Technical information

Order No. 3.67499 / 3.67522

Inclined Wall

Equipment made of non-impregnated mountain larch

Core-free

Sawn-timbers core-free, thus decreasing occurrences of cracking and undesired changes in shape



Tongue and groove

Tongue and groove planks made of 4 cm solid wood, highly resilient, no trickling of dust / sand, protection against direct rain



Ground anchor

All parts used for anchoring to the ground are made of hot-dip galvanised steel or stainless steel



Order No. 3.69440 / 3.69470

Holding Rope

Richter Hercules type rope

Richter Hercules type rope, a combination of galvanised six-strand steel cables and polyester yarn, diameter > 20 mm, laid and glued with very good abrasion resistance, strong sheathing even in the case of damage by puncturing



Aluminium rope pressing

Aluminium rope pressing, cylindrically pressed, with rounded ends



Rotating rope connection

Rotatable fitting without dangerous openings, with sintered bush with integrated swivel to ensure the rope untwists



For more detailed explanation of the quality characteristics see price list.

Dimensions

(small deviations possible)

Order No. 3.67499

Installation height	2.00 m
Length	2.90 m
Width	2.00 m
Weight	200 kg

Order No. 3.67522

Installation height	1.50 m
Length	2.20 m
Width	2.00 m
Weight	150 kg

Components

1 Inclined wall with inclination 45° and 2 steel feet

Installation information

Surfacing requirements corresponding to a fall height of

Order No. 3.67499 ≤ 2.00 m

Order No. 3.67522 ≤ 1.50 m

(please refer to price list for more detailed information)

Foundations

Order No. 3.67499 / 3.67522

2 items 50 x 50 x 40 cm

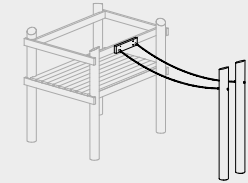
Excavation depth 60 cm

Attention:

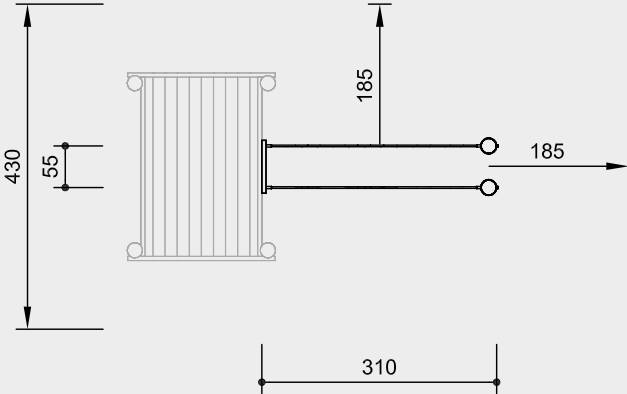
Exact measurements may vary; for all installation dimensions refer to current assembly instructions.

Technical changes reserved.

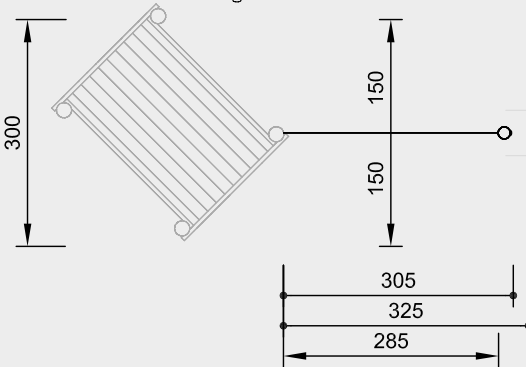
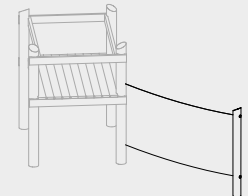
Order No. L3.68510
Double Hanging Rope
 for attachment to Platform



Safety distance ———→
 Device dimensions ———●
 Functional distance ———|



Order No. L3.69010
Balancing Rope with Holding Rope
 for attachment to Platform



Scale 1:100

Safety check according to DIN EN 1176

Components

Order No. L3.68510
Double Hanging Rope
 2 Stand posts with steel feet
 2 Ropes

Order No. L3.69010
Balancing Rope with Holding Rope
 1 Stand post with steel foot
 2 Ropes

Installation information

Surfacing requirements corresponding to a fall height of
Order No. L3.68510 ≤ 2.00 m
Order No. L3.69010 ≤ 0.60 m
 (please refer to price list for more detailed information)

Foundations
Order No. L3.68510
Double Hanging Rope
 1 item 60 x 110 x 60 cm
 Excavation depth 80 cm
Order No. L3.69010
Balancing Rope with Holding Rope
 1 item 60 x 60 x 50 cm
 Excavation depth 80 cm

Attention:
Exact measurements may vary; for all installation dimensions refer to current assembly instructions.
 Technical changes reserved..

Technical information

Equipment made of non-impregnated mountain larch

Peeled white
 Palisades peeled white means that bark, cambium and sapwood are removed, the natural shape of the trunk is preserved and can be experienced



Bevel cut
 Vertical stand posts with bevelled end grain section as constructive wood preservation measure



Richter Hercules type rope
 Richter Hercules type rope, a combination of galvanised six-strand steel cables and polyester yarn, diameter > 20 mm, laid and glued with very good abrasion resistance, strong sheathing even in the case of damage by puncturing



Aluminium rope pressing
 Aluminium rope pressing, cylindrically pressed, with rounded ends



Rope connection fixed
 Fixed rope connection without dangerous openings. Screw connection adjustable and countersunk in the wood



Ground anchor
 All parts used for anchoring to the ground are made of hot-dip galvanised steel or stainless steel

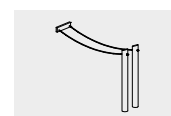


For more detailed explanation of the quality characteristics see price list.

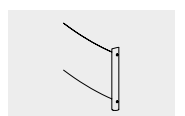
Dimensions
 (small deviations possible)

Order No. L3.68510	
Double Hanging Rope	
Height of rope	2.00 m
Length	3.10 m
Width	0.55 m
Weight	90 kg

Order No. L3.69010	
Balancing Rope with Holding Rope	
Height of balancing rope	0.40 m
Height of holding rope	1.40 m
Length	3.05 m
Weight	50 kg



L3.68510



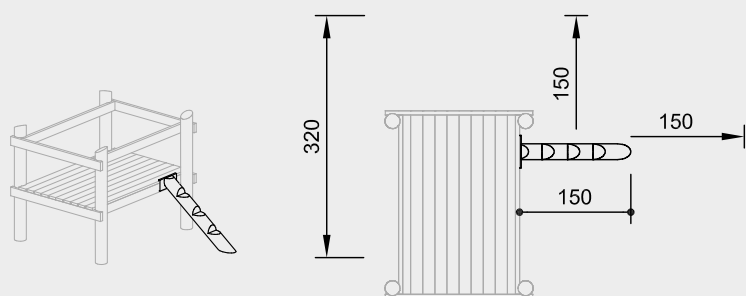
L3.69010

Order No. 3.69502

Climbing Trunk

for attachment to Platform 1.00 m

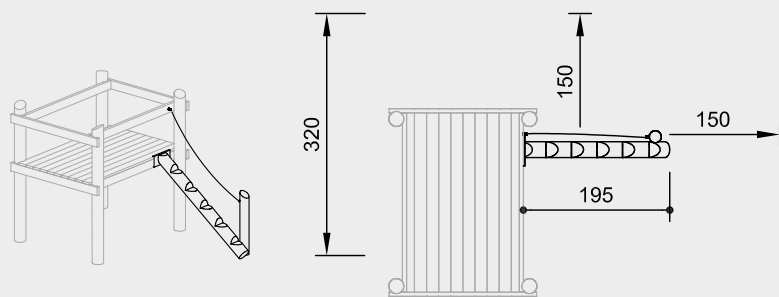
Safety distance →
 Device dimensions —●—
 Functional distance —|—



Order No. 3.69511

Climbing Trunk with handrail on one side

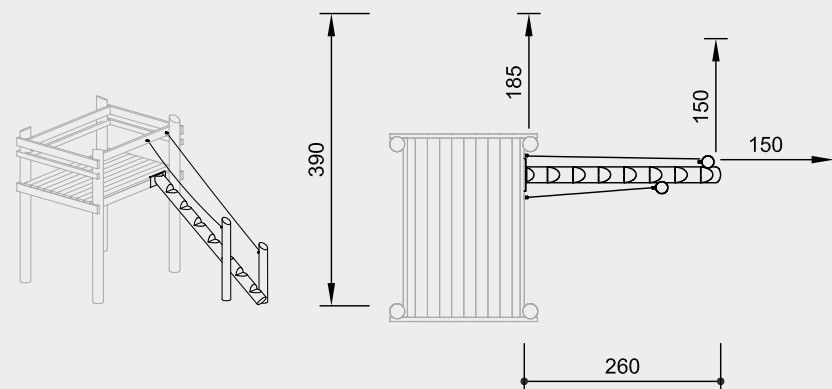
for attachment to Platform 1.50 m



Order No. 3.69521

Climbing Trunk with double-sided handrail

for attachment to Platform 2.00 m

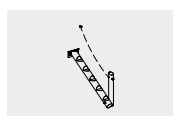


Scale 1:100

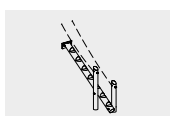
Safety check according to DIN EN 1176



3.69502



3.69511



3.69521

Technical information

Equipment made of non-impregnated mountain larch

Peeled white

Palisades peeled white means that bark, cambium and sapwood are removed, the natural shape of the trunk is preserved and can be experienced



Bevel cut

Vertical stand posts with bevelled end grain section as constructive wood preservation measure



Ground anchor

All parts used for anchoring to the ground are made of hot-dip galvanised steel or stainless steel



Chains

Chains made of hot-dip galvanized steel (1.4301 / 1.4571 at extra charge) welded before galvanising, short-linked, without eyelets on the connecting parts, easy to exchange and shorten



For more detailed explanation of the quality characteristics see price list.

Dimensions

(small deviations possible)

Order No. 3.69502	
Length	2.45 m
Weight	50 kg
Order No. 3.69511	
Length	2.35 m
Weight	100 kg
Order No. 3.69521	
Length	3.15 m
Weight	140 kg

Components

Order No. 3.69502
 1 Climbing trunk with steel foot

Order No. 3.69511
 1 Climbing trunk
 1 Stand post with steel foot and chain handrail

Order No. 3.69521
 1 Climbing trunk
 2 Stand posts with steel feet and chain handrails

Installation information

Surfacing requirements corresponding to a fall height determined by installation height (please refer to price list for more detailed information)

Foundations

Order No. 3.69502
 1 item 40 x 40 x 20 cm
 Excavation depth 40 cm

Order No. 3.69511
 1 item 60 x 60 x 60 cm
 Excavation depth 80 cm

Order No. 3.69521
 2 items 60 x 60 x 60 cm
 Excavation depth 80 cm

Attention:

Exact measurements may vary; for all installation dimensions refer to current assembly instructions.

Technical changes reserved.



Order No. 3.29700 Middle Triangular Platform, height 1.50 m

Play value

The Triangular Platform is an interesting combination element for play centres. Its unusual shape and the inclined support posts contribute to the outstanding appearance.

Fundamental characteristics

- Sturdy wooden construction with natural posts

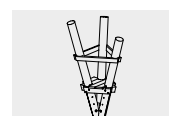
Recommended for

- School children
- Supervised play areas, such as schools, after-school programmes or similar
- Public play areas without supervision, such as playgrounds, parks or similar

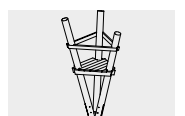
Middle Triangular Platform
Small Triangular Platform
Big Triangular Platform



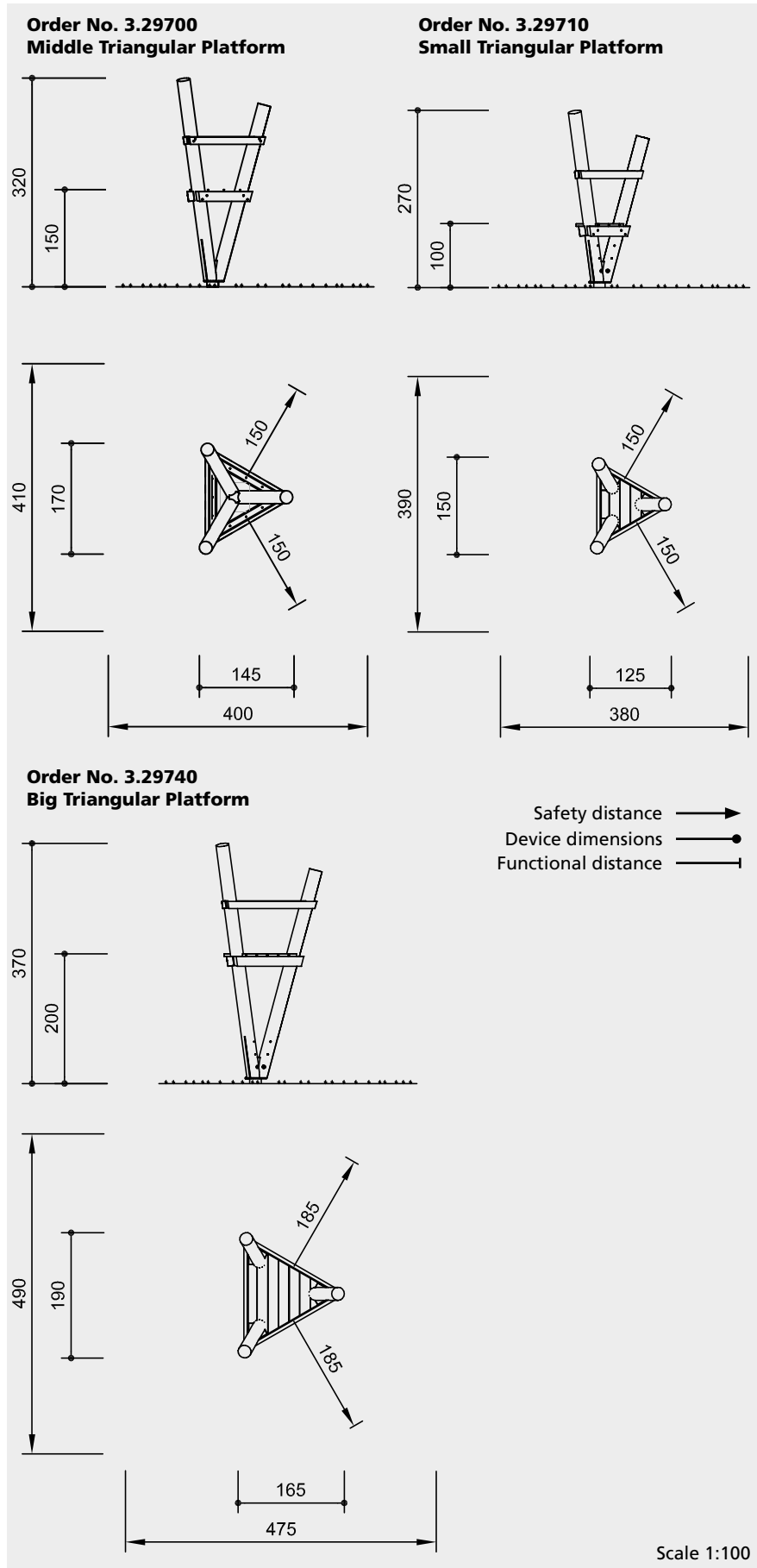
3.29700



3.29710



3.29740



Safety check according to DIN EN 1176



3.29700



3.29710



3.29740

Technical information

Equipment made of non-impregnated mountain larch

Peeled white

Palisades peeled white means that bark, cambium and sapwood are removed, the natural shape of the trunk is preserved and can be experienced



Core-free

Sawn-timbers core-free, thus decreasing occurrences of cracking and undesired changes in shape



Tongue and groove

Tongue and groove planks made of 4 cm solid wood, highly resilient, no trickling of dust / sand, protection against direct rain



Ground anchor

All parts used for anchoring to the ground are made of hot-dip galvanised steel or stainless steel



For more detailed explanation of the quality characteristics see price list.

Dimensions

(small deviations possible)

Order No. 3.29700
Middle Triangular Platform

Height	3.20 m
Floor height	1.50 m
Weight	250 kg

Order No. 3.29710
Small Triangular Platform

Height	2.70 m
Floor height	1.00 m
Weight	220 kg

Order No. 3.29740
Big Triangular Platform

Height	3.70 m
Floor height	2.00 m
Weight	290 kg

Components

1 Wooden construction with steel foot

Installation information

Surfacing requirements corresponding to a fall height of
Order No. 3.29700 ≤ 1.50 m
Order No. 3.29710 ≤ 1.00 m
Order No. 3.29740 ≤ 2.00 m
 (please refer to price list for more detailed information)

Foundations

Order No. 3.29700	1 item 120 x 120 x 60 cm Excavation depth 100 cm
Order No. 3.29710	1 item 100 x 100 x 60 cm Excavation depth 100 cm
Order No. 3.29740	1 item 140 x 140 x 60 cm Excavation depth 100 cm

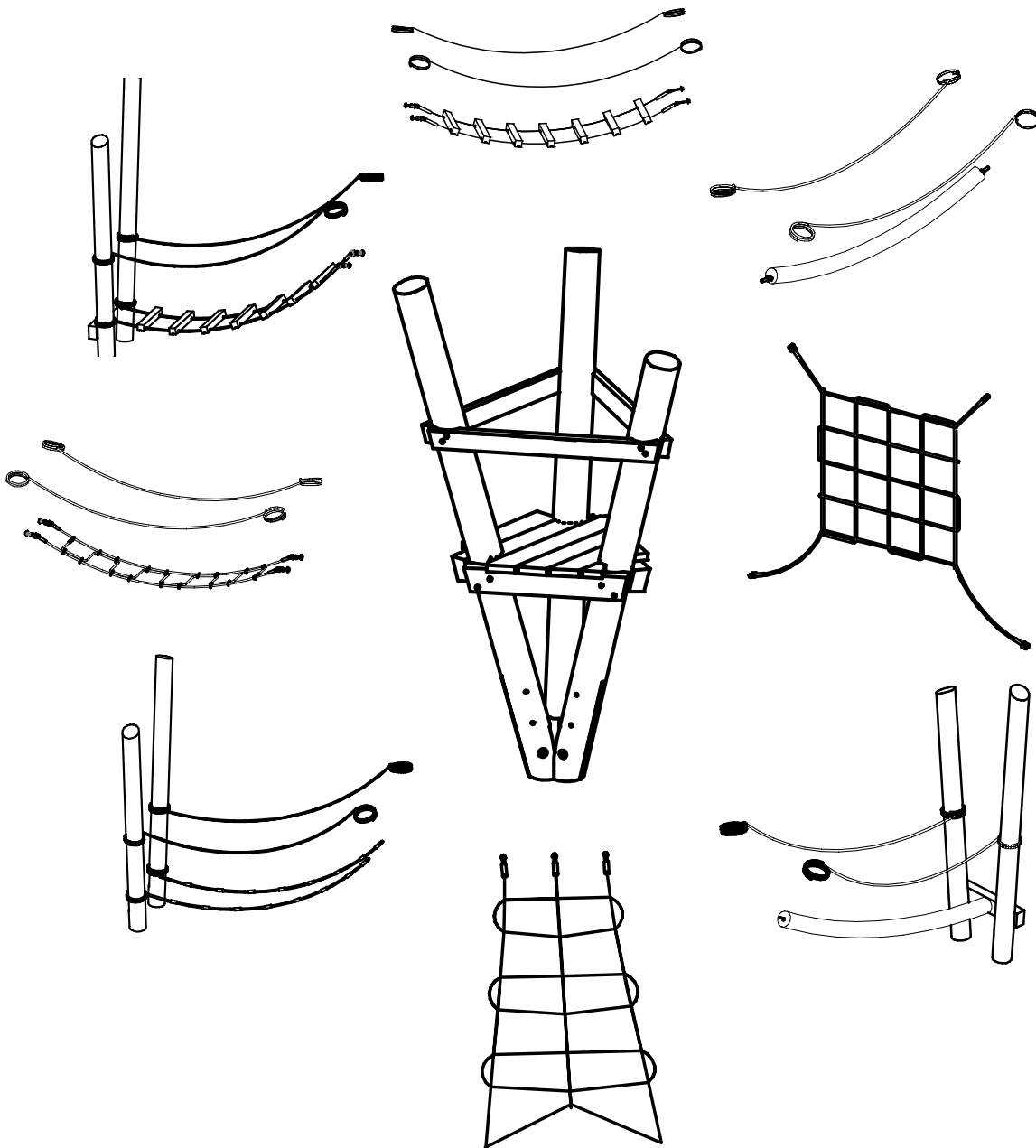
Attention:

Exact measurements may vary, for all installation dimensions refer to current installation instructions.
 Technical changes reserved.

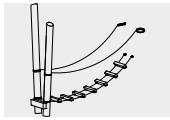


**Standard elements for combination
with triangular platforms**

**Standard elements for combination
with middle triangular platform 1.50 m
Order No. 3.29700**

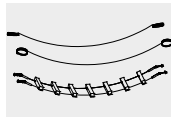


Standard elements for combination with triangular platform 1.50 m



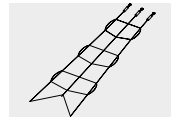
P. 115

Order No. 3.69823
End Frame incl. Rope Ascent
with Walking Timbers



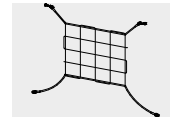
P. 115

Order No. 3.69825
Rope Crossing with Walking
Timbers



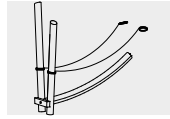
P. 116

Order No. 3.69840
Inclined Climbing Net



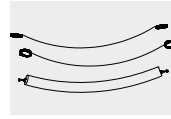
P. 116

Order No. 3.69850
Vertical Climbing Net



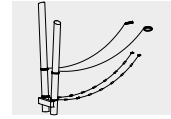
P. 116

Order No. 3.69860
Rope Ascent with PP-Rope



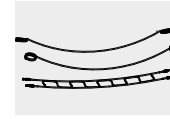
P. 116

Order No. 3.69865
Rope Crossing
with PP-rope (3 m)



P. 118

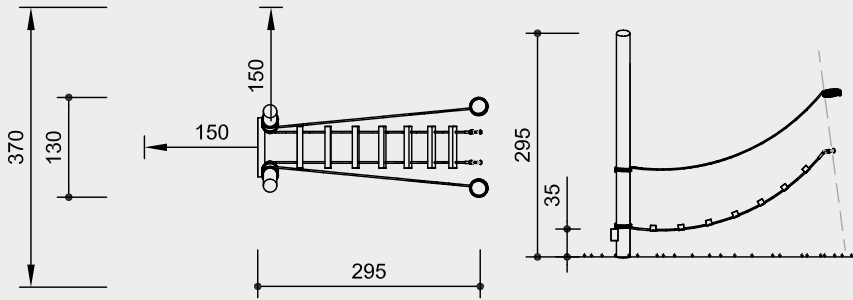
Order No. 3.69813
End Frame incl. Rope Ascent
with climbing holds



P. 118

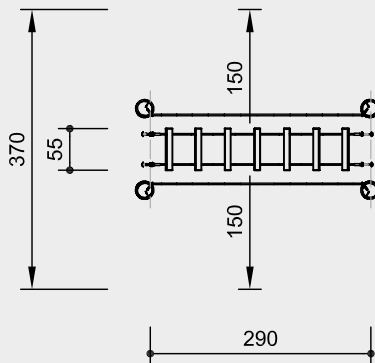
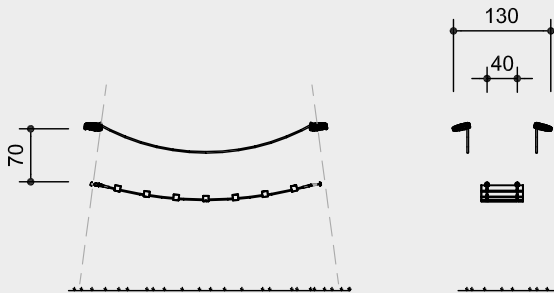
Order No. 3.69833
Wobbly Bridge
with Handrail Ropes (3 m)

Order No. 3.69823
End Frame incl. Rope Ascent
with Walking Timbers



Safety distance ———→
 Device dimensions ———●
 Functional distance ———|

Order No. 3.69825
Rope Crossing with Walking Timbers
 Length 3.00 m



Scale 1:100

Safety check according to DIN EN 1176

Components

- Order No. 3.69823**
 1 End frame with steel feet
 1 Ladder with walkway
 2 Handrails

- Order No. 3.69825**
 1 Crossing with walkway
 2 Handrails
 2 Distance battens

Installation information

Surfacing requirements corresponding to a fall height of ≤ 1.50 m (please refer to price list for more detailed information)

Foundations

- Order No. 3.69823**
 1 item 100 x 100 x 60 cm
 Excavation depth 80 cm

Attention:
Exact measurements may vary;
for all installation dimensions refer
to current assembly instructions.
 Technical changes reserved.

Dimensions
 (small deviations possible)

Order No. 3.69823	
Height	2.95 m
Length	2.95 m
Width	1.30 m
Weight	150 kg

Order No. 3.69825	
Length	2.90 m
Width	0.55 m
Weight	15 kg

Technical information

Order No. 3.69823
End Frame incl. Rope Ascent
with Walking Timbers

Peeled white
 Palisades peeled white means that bark, cambium and sapwood are removed, the natural shape of the trunk is preserved and can be experienced



Bevel cut
 Vertical stand posts with bevelled end grain section as constructive wood preservation measure



Core-free
 Sawn-timbers core-free, thus decreasing occurrences of cracking and undesired changes in shape



Richter Hercules type rope
 Richter Hercules type rope, a combination of galvanised six-strand steel cables and polyester yarn, diameter > 20 mm, laid and glued with very good abrasion resistance, strong sheathing even in the case of damage by puncturing



Aluminium rope pressing
 Aluminium rope pressing, cylindrically pressed, with rounded ends



Rope connection with joint
 Close-fitting connection with joint, without dangerous openings, with sintered bush and adjustable screw connection



Ground anchor
 All parts used for anchoring to the ground are made of hot-dip galvanised steel or stainless steel



For more detailed explanation of the quality characteristics see price list.

Order No. 3.69825
Rope Crossing with Walking Timbers

Core-free
 Sawn-timbers core-free, thus decreasing occurrences of cracking and undesired changes in shape



Richter Hercules type rope
 Richter Hercules type rope, a combination of galvanised six-strand steel cables and polyester yarn, diameter > 20 mm, laid and glued with very good abrasion resistance, strong sheathing even in the case of damage by puncturing



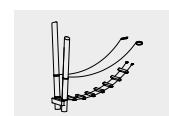
Aluminium rope pressing
 Aluminium rope pressing, cylindrically pressed, with rounded ends



Rope connection with joint
 Close-fitting connection with joint, without dangerous openings, with sintered bush and adjustable screw connection



For more detailed explanation of the quality characteristics see price list.



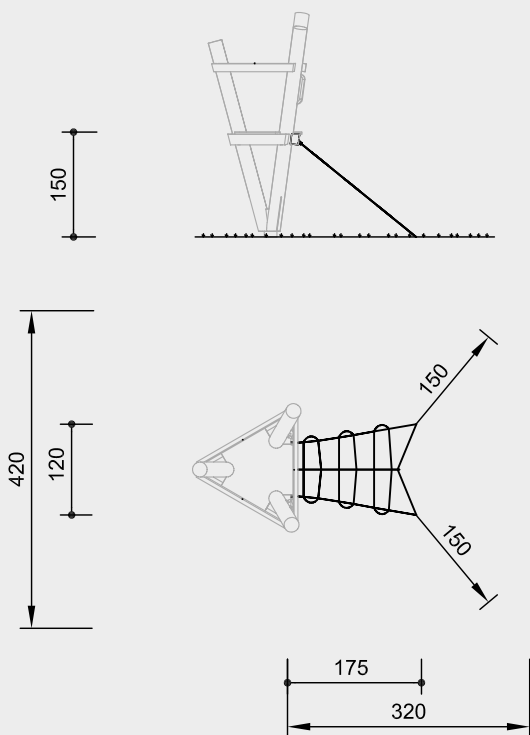
3.69823



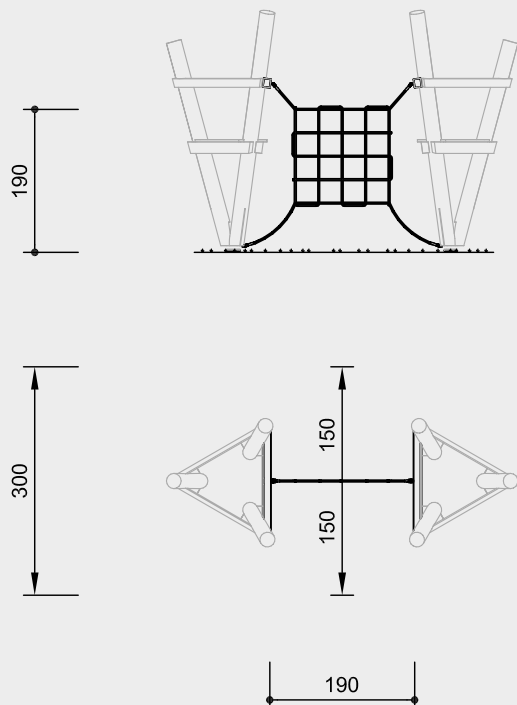
3.69825

Order No. 3.69840
Inclined Climbing Net

Safety distance →
Device dimensions ●—●
Functional distance —|—



Order No. 3.69850
Vertical Climbing Net



Scale 1:100

Safety check according to DIN EN 1176

Technical information

Richter Hercules type rope

Richter Hercules type rope, a combination of galvanised six-strand steel cables and polyester yarn, diameter > 20 mm, laid and glued with very good abrasion resistance, strong sheathing even in the case of damage by puncturing



Aluminium rope pressing

Aluminium rope pressing, cylindrically pressed, with rounded ends



S-connectors

S-connectors Ø 8.1 mm, made of high-quality stainless steel, rounded



Chains

Chains made of hot-dip galvanized steel (1.4301 / 1.4571 at extra charge) welded before galvanising, short-linked, without eyelets on the connecting parts, easy to exchange and shorten



For more detailed explanation of the quality characteristics see price list.

Dimensions

(small deviations possible)

Order No. 3.69840
Inclined Climbing Net

Length	1.75 m
Width	1.20 m
Installation height	1.50 m
Weight	40 kg

Order No. 3.69850
Vertical Climbing Net

Height	1.90 m
Length	1.90 m
Weight	50 kg

Components

Order No. 3.69840

1 Inclined climbing net, anchor irons with chains and tensioning devices

Order No. 3.69850

1 Vertical climbing net
1 Distance batten

Installation information

Surfacing requirements corresponding to a fall height of ≤ 1.50 m (please refer to price list for price)
Foundations

Order No. 3.69840

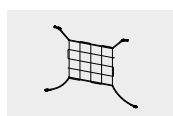
2 items 50 x 50 x 40 cm
Excavation depth 80 cm

Attention:

Exact measurements may vary; for all installation dimensions refer to current assembly instructions.
Technical changes reserved.

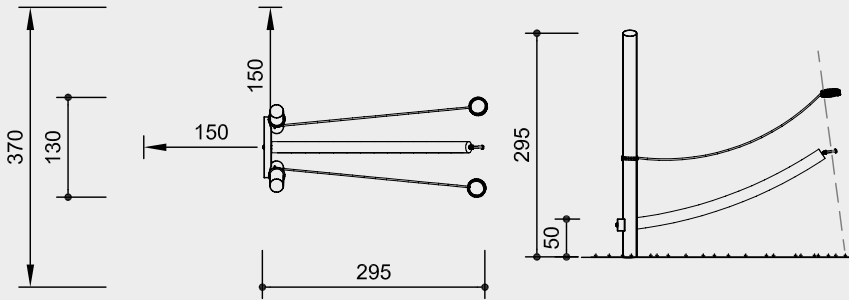


3.69840

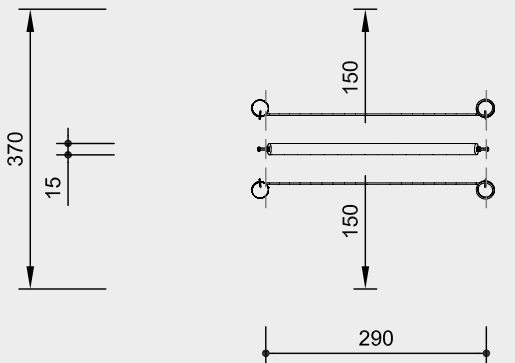
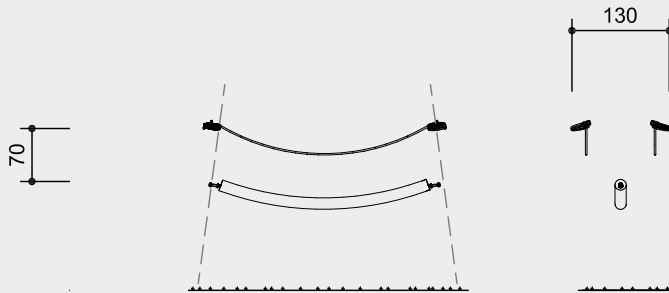


3.69850

Order No. 3.69860
End Frame with Ladder of PP-Rope



Order No. 3.69865
Rope Crossing with PP-Rope
 Length 3.00 m



Scale 1:100

Safety check according to DIN EN 1176

Components

- Order No. 3.69860**
 1 End frame with steel feet
 1 PP rope 3.00 m
 2 Handrails
 1 Distance batten

- Order No. 3.69865**
 1 PP rope 3.00 m
 2 Handrails
 1 Distance batten

Installation information

Surfacing requirements corresponding to a fall height of ≤ 1.50 m (please refer to price list for more detailed information)

Foundations
Order No. 3.69860
 1 item 100 x 100 x 60 cm
 Excavation depth 80 cm

Attention:
Exact measurements may vary;
for all installation dimensions refer to current assembly instructions.
 Technical changes reserved.

Technical information

Order No. 3.69860
End Frame with Ladder of PP-Rope

Peeled white
 Palisades peeled white means that bark, cambium and sapwood are removed, the natural shape of the trunk is preserved and can be experienced



Richter Hercules type rope
 Richter Hercules type rope, a combination of galvanised six-strand steel cables and polyester yarn, diameter > 20 mm, laid and glued with very good abrasion resistance, strong sheathing even in the case of damage by puncturing



Ground anchor
 All parts used for anchoring to the ground are made of hot-dip galvanised steel or stainless steel



Rope made of PP fibre \varnothing 150 mm with 12 mm galvanised steel core

Order No. 3.69865
Rope Crossing with PP-Rope

Richter Hercules type rope
 Richter Hercules type rope, a combination of galvanised six-strand steel cables and polyester yarn, diameter > 20 mm, laid and glued with very good abrasion resistance, strong sheathing even in the case of damage by puncturing



For more detailed explanation of the quality characteristics see price list.

Rope made of PP fibre \varnothing 150 mm with 12 mm galvanised steel core

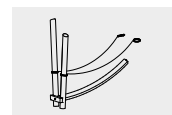
Dimensions
 (small deviations possible)

Order No. 3.69860
End Frame with Ladder of PP-Rope

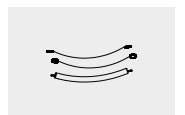
Height	2.95 m
Length	2.95 m
Width	1.30 m
Weight	180 kg

Order No. 3.69865
Rope Crossing with PP-Rope

Length	2.90 m
Diameter	0.15 m
Weight	45 kg



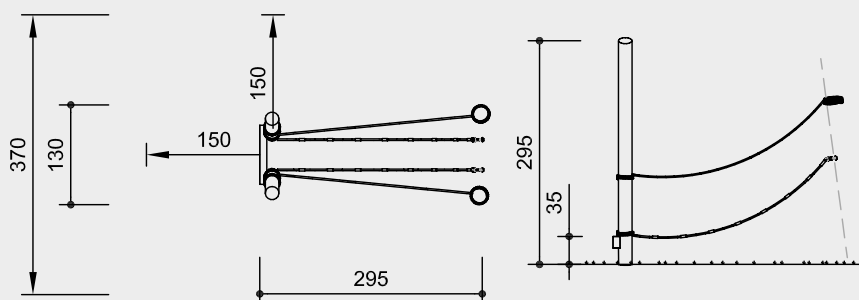
3.69860



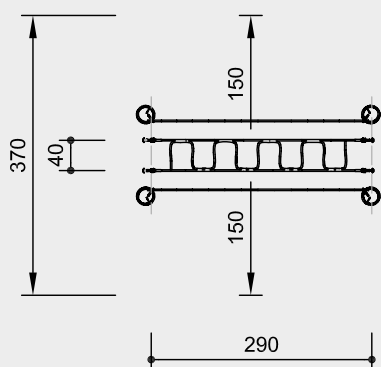
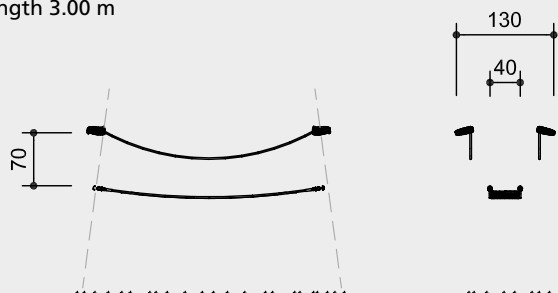
3.69865

Order No. 3.69813
End Frame incl. Rope Ascent
with Aluminium Swages

Safety distance →
 Device dimensions ●—●
 Functional distance —|—



Order No. 3.69833
Wobbly Bridge with Handrail Ropes
 Length 3.00 m



Scale 1:100

Safety check according to DIN EN 1176

Components

Order No. 3.69813

- 1 End frame with steel feet
- 1 Ladder with climbing holds
- 2 Handrails

Order No. 3.69833

- 1 Wobbly bridge
- 2 Handrails
- 2 Distance battens

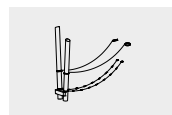
Installation information

Surfacing requirements corresponding to a fall height of ≤ 1.50 m (please refer to price list for more detailed information)

Foundations

- Order No. 3.69813**
- 1 item 100 x 100 x 60 cm
- Excavation depth 80 cm

Attention:
Exact measurements may vary;
for all installation dimensions refer
to current assembly instructions.
 Technical changes reserved.



3.69813



3.69833

Technical information

Order No. 3.69813
End Frame incl. Rope Ascent
with Aluminium Swages

Peeled white

Palisades peeled white means that bark, cambium and sapwood are removed, the natural shape of the trunk is preserved and can be experienced



Bevel cut

Vertical stand posts with bevelled end grain section as constructive wood preservation measure



Richter Hercules type rope

Richter Hercules type rope, a combination of galvanised six-strand steel cables and polyester yarn, diameter > 20 mm, laid and glued with very good abrasion resistance, strong sheathing even in the case of damage by puncturing



Aluminium rope pressing

Aluminium rope pressing, cylindrically pressed, with rounded ends



Rope connection with joint

Close-fitting connection with joint, without dangerous openings, with sintered bush and adjustable screw connection



Ground anchor

All parts used for anchoring to the ground are made of hot-dip galvanised steel or stainless steel



Order No. 3.69833
Wobbly Bridge with Handrail Ropes

Richter Hercules type rope

Richter Hercules type rope, a combination of galvanised six-strand steel cables and polyester yarn, diameter > 20 mm, laid and glued with very good abrasion resistance, strong sheathing even in the case of damage by puncturing



Aluminium rope pressing

Aluminium rope pressing, cylindrically pressed, with rounded ends



S-connectors

S-connectors Ø 8.1 mm, made of high-quality stainless steel, rounded



Rope connection with joint

Close-fitting connection with joint, without dangerous openings, with sintered bush and adjustable screw connection



For more detailed explanation of the quality characteristics see price list.

Dimensions

(small deviations possible)

Order No. 3.69813

Height	2.95 m
Length	2.95 m
Width	1.30 m
Weight	145 kg

Order No. 3.69833

Length	2.90 m
Width	0.40 m
Weight	12 kg



Photo © Daniel Perales



Photo © Paul Upward



Order No. 3.19210 Slide

Play value

A large number of combination equipment gives the planner the opportunity to make playgrounds versatile and interesting. The Slide is an example of this.

Fundamental characteristics

- Unique and original
- Appealing design
- Incentive for playing: experiencing height, role-playing games
- Movement: climbing, sliding

Recommended for

- Kindergarten children
- School children
- Supervised play areas, such as kindergartens, schools, after-school programmes or similar
- Public play areas without supervision, such as playgrounds, parks or similar



Order No. 3.19200 Slide

Note on installation

Avoid orientation of the slide to the south (heating up of material).

Slides for attachment to Huts



3.19200



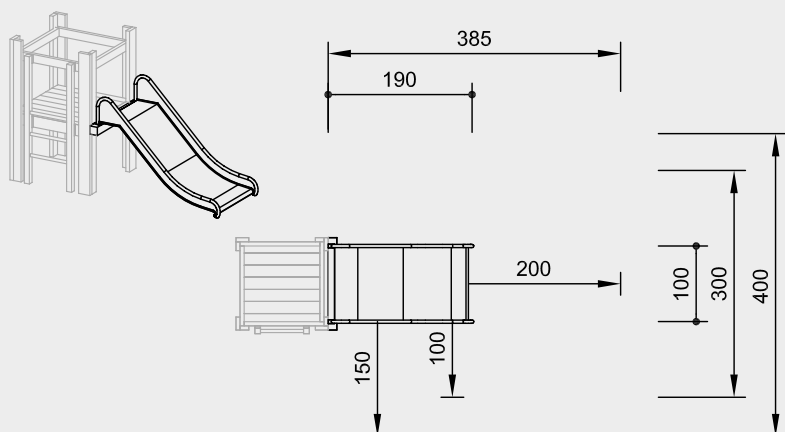
3.19210



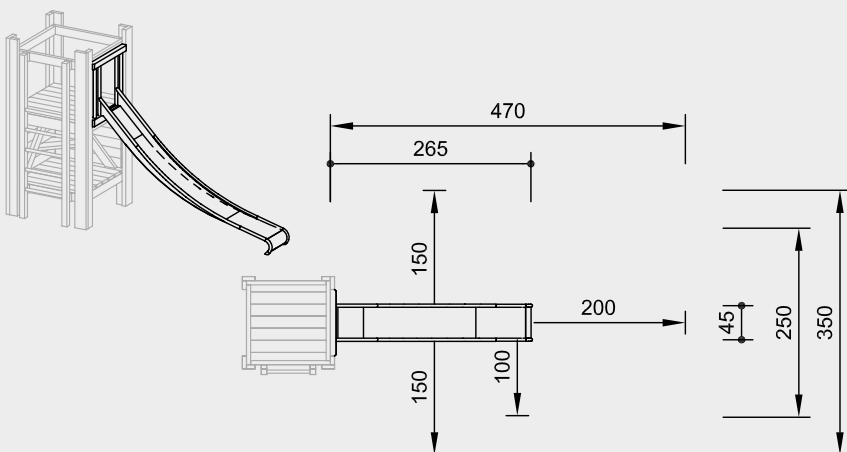
3.19220

Order No. 3.19200
Slide
for attachment to Huts 1.00 m

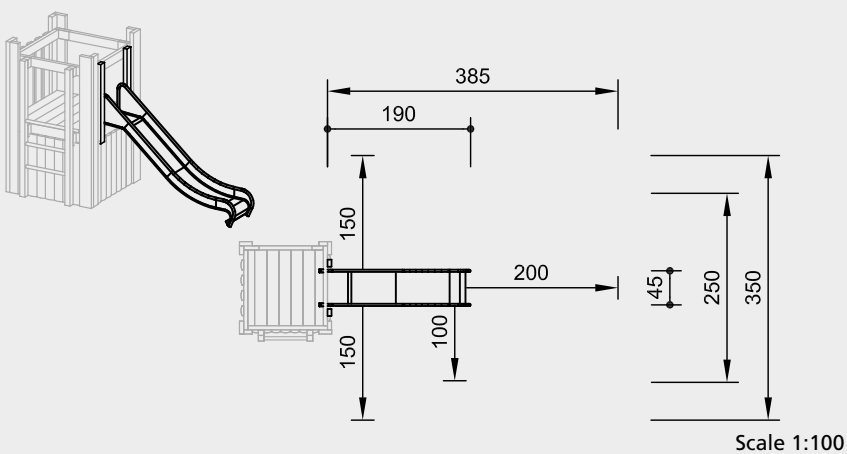
Safety distance 
 Device dimensions 
 Functional distance 



Order No. 3.19210
Slide
for attachment to Huts 1.50 m



Order No. 3.19220
Slide
for attachment to Huts 1.00 m



Scale 1:100

Safety check according to DIN EN 1176



3.19200



3.19210



3.19220

Technical information

Slides made of stainless steel,
 glass bead blasted
 Handrail tube Ø 42 mm
 Ground anchor made of oak heartwood

Order No. 3.19210

One-piece construction

Total construction of the slide made of 2 mm stainless steel, drawn in box form, surface glass bead blasted, without welding seam between sliding surface and side cheek



For more detailed explanation of the quality characteristics see price list.

Order No. 3.19200

Thickness of sides 2 mm
 Thickness of sliding surface 3 mm

Order No. 3.19220

Thickness of sides 2 mm
 Thickness of sliding surface 2 mm

Dimensions

(small deviations possible)

Order No. 3.19200

Installation height	1.00 m
Width	1.00 m
Weight	65 kg

Order No. 3.19210

Installation height	1.50 m
Width	0.45 m
Weight	53 kg

Order No. 3.19220

Installation height	1.00 m
Width	0.45 m
Weight	45 kg

Components

Order No. 3.19200

- 1 Slide with ground anchor
- 1 Slide support

Order No. 3.19210

- 1 Slide with ground anchor
- 1 Support frame

Order No. 3.19220

- 1 Slide with ground anchor
- 1 Support frame

Installation information




Surfacing requirements corresponding to a fall height of
Order No. 3.19200 / 3.19220 ≤ 1.00 m
Order No. 3.19210 ≤ 1.50 m
 (please refer to price list for more detailed information)

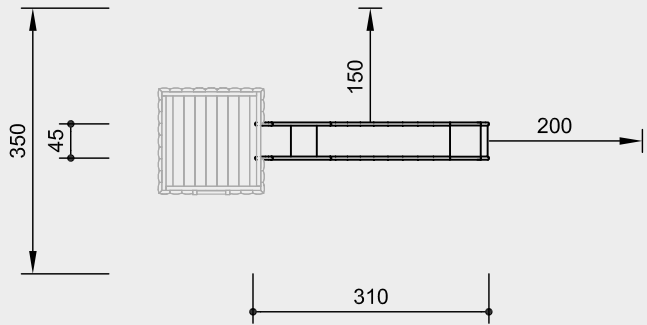
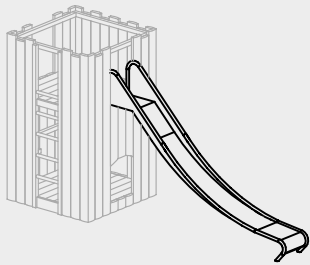
Foundations
 Excavation depth
 for ground anchor 55 cm

Attention:

**Exact measurements may vary;
 for all installation dimensions refer
 to current assembly instructions.**
 Technical changes reserved.

Order No. 3.63020
Stainless Steel Slide
for attachment to Square Tower 1.50 m

Safety distance 
 Device dimensions 
 Functional distance 



Scale 1:100

Safety check according to DIN EN 1176

Technical information

Slide made of stainless steel,
 glass bead blasted
 Handrail tube Ø 42 mm
 Ground anchor made of oak heartwood

One-piece construction

Total construction of the slide made of
 2 mm stainless steel, drawn in box form,
 surface glass bead blasted, without
 welding seam between sliding surface
 and side cheek



**For more detailed explanation of the
 quality characteristics see price list.**

Dimensions

(small deviations possible)

Sliding width	0.45 m
Sliding length	2.85 m
Weight	53 kg

© Richter Spielgeräte GmbH 06/22

Components

- 1 Slide with ground anchor

Installation information

Surfacing requirements
 fall height determined by installation
 height, otherwise depending on the
 installation situation
 (please refer to price list for more
 detailed information)

Foundations
 Excavation depth
 for ground anchor 55 cm

Attention:
Exact measurements may vary;
for all installation dimensions refer
to current assembly instructions.
 Technical changes reserved.

Note
 This Slide shown on this page is an
 example from our standard slide range.

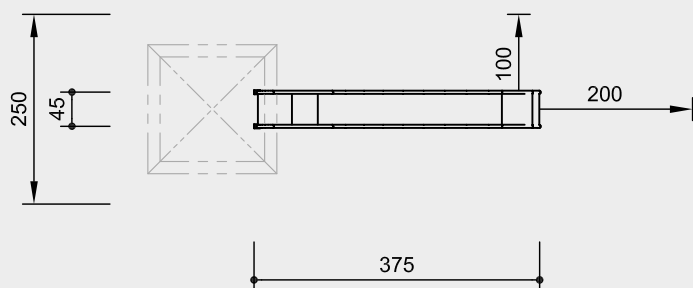
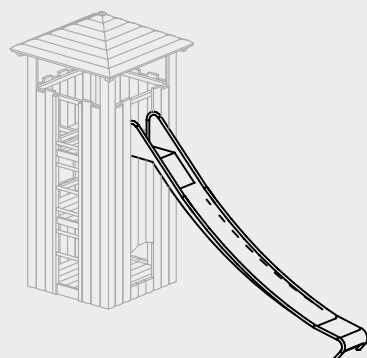
Note on installation
 Avoid orientation of the slide to the
 south (heating up of material).



3.63020

Order No. 3.63420
Stainless Steel Slide
for attachment to Square Tower
with Roof 2.00 m

Safety distance →
 Device dimensions —●—
 Functional distance —|—



Scale 1:100

Safety check according to DIN EN 1176

Components

- 1 Slide with ground anchor

Installation information

Surfacing requirements
 fall height determined by installation
 height, otherwise depending on the
 installation situation
 (please refer to price list for more
 detailed information)

Foundations
 Excavation depth
 for ground anchor 55 cm

Attention:
Exact measurements may vary;
for all installation dimensions refer
to current assembly instructions.
 Technical changes reserved.

Note
 This Slide shown on this page is an
 example from our standard slide range.

Note on installation
 Avoid orientation of the slide to the
 south (heating up of material).

Technical information

Slide made of stainless steel,
 glass bead blasted
 Handrail tube Ø 42 mm
 Ground anchor made of oak heartwood

One-piece construction

Total construction of the slide made of
 2 mm stainless steel, drawn in box form,
 surface glass bead blasted, without
 welding seam between sliding surface
 and side cheek



**For more detailed explanation of the
 quality characteristics see price list.**

Dimensions

(small deviations possible)

Sliding width	0.45 m
Sliding length	3.65 m
Weight	69 kg



3.63420

Play value

Sliding is not just a stimulating experience for children but also lots of fun. Combining a slide with other equipment increases the play value. Our especially sturdy and maintenance-friendly stainless steel version has a well designed slide profile. A steep slide beginning is followed by a long, smooth exit. Higher sides also mean the maximum fall height of 3.00 m is permitted.

Fundamental characteristics

- Friendly appearance
- High-quality design
- Can also be installed as embankment slides
- Incentive for playing: experiencing height, thrill
- Movement: sliding, climbing

Recommended for

- Kindergarten children
- School children
- Supervised play areas, such as kindergartens, schools, after-school programmes or similar
- Public play areas such as playgrounds, parks or similar



Photo © Barbara Evripidou



**Stainless Steel Slides
Width 0.45 m**

Components

Order No.

3.63310 / 3.63020 / 3.63120 / 3.63420

- 1 Slide with ground anchor

Order No 3.63520

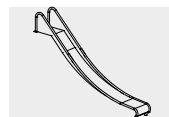
- 1 Slide

Order No. 3.63220 / 3.63230

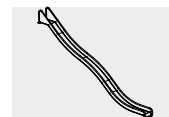
- 1 Slide with 1 wave

Order No. 3.63225 / 3.63235

- 1 Slide as above but with higher sides



3.63020 - 3.63520

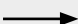
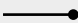



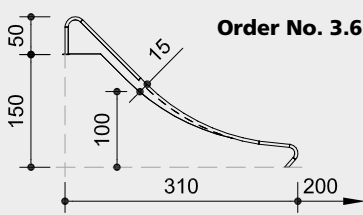
3.63220 / 3.63230



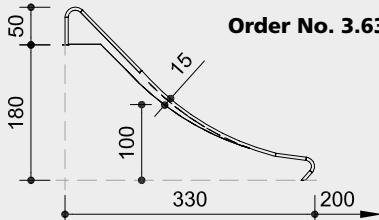
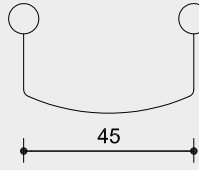
3.63225 / 3.63235

Order No. 3.63020 - 3.63520
Stainless Steel Slides

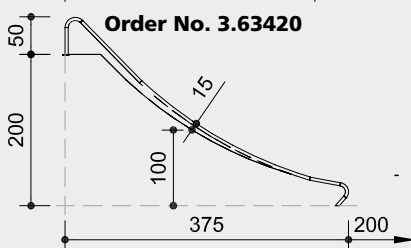
Safety distance 
 Device dimensions 
 Functional distance 



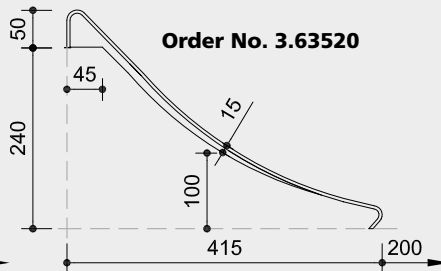
Order No. 3.63020



Order No. 3.63120

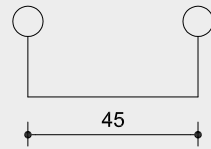
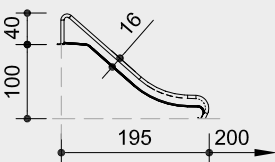


Order No. 3.63420

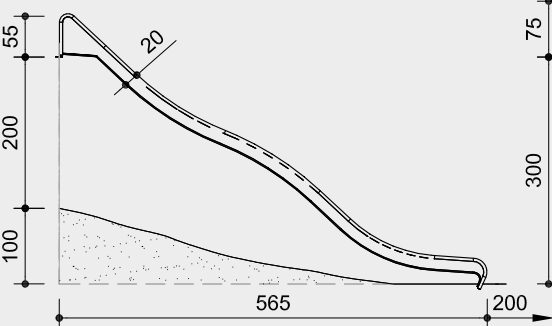


Order No. 3.63520

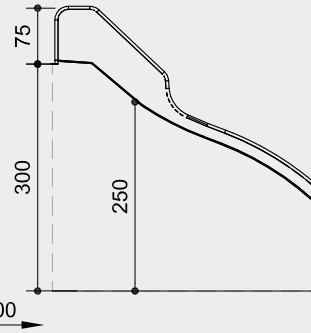
Order No. 3.63310



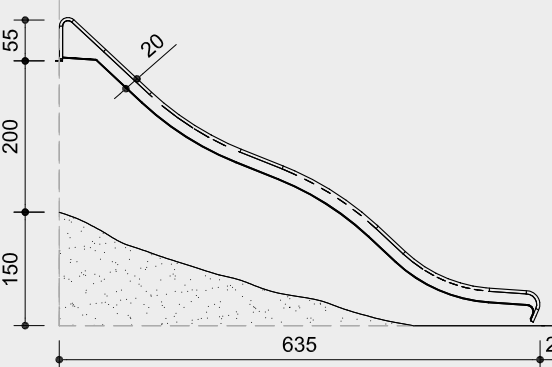
Order No. 3.63220



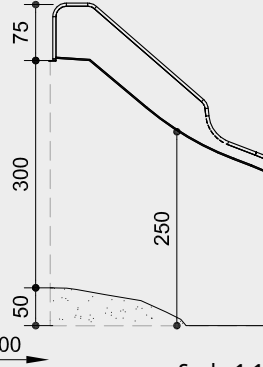
Order No. 3.63225



Order No. 3.63230

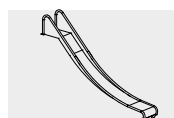


Order No. 3.63235



Scale 1:100

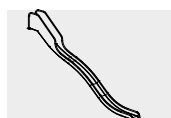
Safety check according to DIN EN 1176



3.63020 - 3.63520



3.63220 / 3.63230



3.63225 / 3.63235

Technical information

Slides made of stainless steel, glass-bead blasted
 Handrail tube Ø 42 mm, thickness 2 mm
 Height of sides 16 or 20 cm
 Attached at the top and bottom with mounting plates

Order No.
3.63020 / 3.63120 / 3.63420 / 3.63520

One-piece construction

Total construction of the slide made of 2 mm stainless steel, drawn in box form, surface glass bead blasted, without welding seam between sliding surface and side cheek



For more detailed explanation of the quality characteristics see price list.

Height of sides 15 cm from fall height of 1.00 m

Order No. 3.63310

Thickness of sides 2 mm, thickness of sliding surface 2.5 mm

Order No.

3.63225 / 3.63220 / 3.63230 / 3.63235

Thickness of sides 2.5 mm, thickness of sliding surface 2 mm

Order No. 3.63225 / 3.63235

With higher sides for fall height of more than 2.00 m

Dimensions see sketches (small deviations possible)

Order No.

3.63020
3.63120
3.63220
3.63225
3.63230
3.63235
3.63310
3.63420
3.63520

Weight

53 kg
 63 kg
 121 kg
 150 kg
 132 kg
 180 kg
 48 kg
 69 kg
 79 kg

Installation information

Surfacing requirements depending on the installation height, embankment slides depending on the topographic situation; in the run-out area we recommend material such as sand (please refer to price list for more detailed information)

Foundations

Slides with ground anchor do not need concrete foundations; all other slides 1 item 30 x 70 x 30 cm
 Excavation depth 70 cm

Attention:




Exact measurements may vary, for all installation dimensions refer to current assembly instructions.

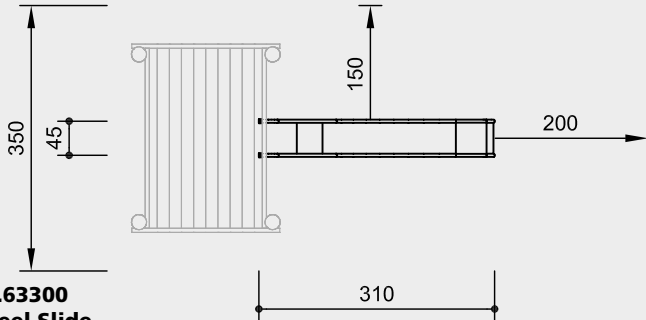
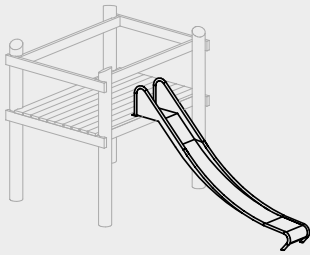
Technical changes reserved.

Note on installation

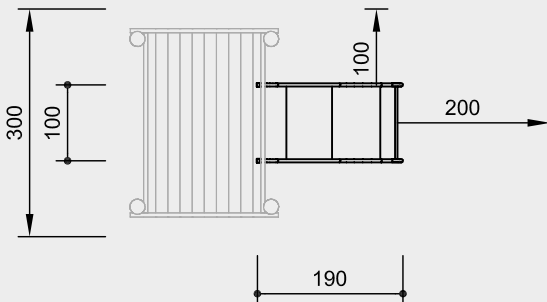
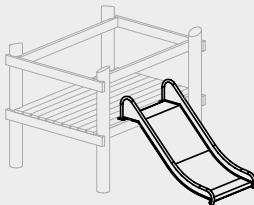
Avoid orientation of the slide to the south (heating up of material).

Order No. 3.63020
Stainless Steel Slide
for attachment to platform 1.50 m

Safety distance 
 Device dimensions 
 Functional distance 



Order No. 3.63300
Stainless Steel Slide
for attachment to platform 1.00 m



Scale 1:100

Safety check according to DIN EN 1176

Components

- 1 Slide with ground anchor

Installation information

Surfacing requirements corresponding to a fall height determined by installation height otherwise depending on the installation conditions (please refer to price list for more detailed information)

Foundations
 Excavation depth for ground anchor 55 cm

Attention:
Exact measurements may vary;
for all installation dimensions refer to current assembly instructions.
 Technical changes reserved.

Technical information

Slides made of stainless steel, glass bead blasted
 Handrail tube Ø 42 mm
 Ground anchor of oak heartwood

Order No. 3.63020

One-piece construction

Total construction of the slide made of 2 mm stainless steel, drawn in box form, surface glass bead blasted, without welding seam between sliding surface and side cheek



Ground anchor

All parts used for anchoring to the ground are made of hot-dip galvanised steel or stainless steel



For more detailed explanation of the quality characteristics see price list.

Order No 3.63300

Slide walls 2 mm,
 Thickness of sliding surface 3 mm,

Dimensions

(small deviations possible)

Order No 3.63020

Sliding width	0.45 m
Weight	53 kg

Order No 3.63300

Sliding width	1.00 m
Weight	65 kg

Note

The slides shown on this page are examples from our standard slide range.

Note on installation

Avoid orientation of the slide to the south (heating up of material).

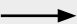




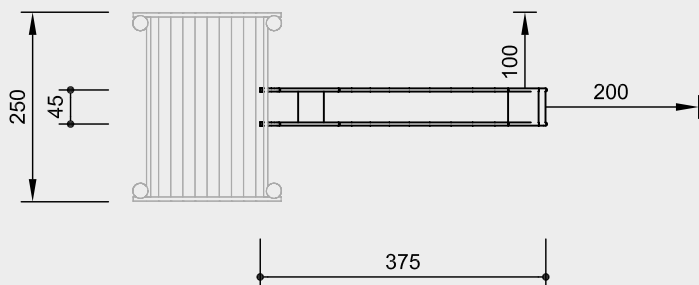
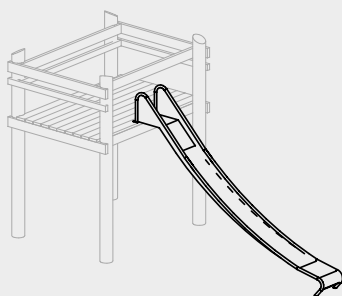
3.63300



3.63020

Order No. 3.63420
Stainless Steel Slide
for attachment to platform 2.00 m

Safety distance 
 Device dimensions 
 Functional distance 



Scale 1:100

Safety check according to DIN EN 1176

Components

- 1 Slide with ground anchor

Installation information

Surfacing requirements corresponding to a fall height determined by installation height otherwise depending on the installation conditions (please refer to price list for more detailed information)

Foundations
 Excavation depth for ground anchor 55 cm

Attention:
Exact measurements may vary;
for all installation dimensions refer to current assembly instructions.
 Technical changes reserved.

Technical information

Slides made of stainless steel, glass bead blasted
 Handrail tube Ø 42 mm
 Ground anchor of oak heartwood

One-piece construction

Total construction of the slide made of 2 mm stainless steel, drawn in box form, surface glass bead blasted, without welding seam between sliding surface and side cheek



Ground anchor

All parts used for anchoring to the ground are made of hot-dip galvanised steel or stainless steel



For more detailed explanation of the quality characteristics see price list.

Dimensions

(small deviations possible)

Sliding width	0.45 m
Weight	69 kg

Note

The slides shown on this page are examples from our standard slide range.

Note on installation

Avoid orientation of the slide to the south (heating up of material).



3.63420



Photo © Paul Upward

Play value

Slides are fun for big and small alike. The exhilaration of the unfamiliar, apparently risky movement is a very important part of the slide's play value. The downhill glide without doing anything other than overcoming self-doubt and being daring, is enjoyable and provides a sense of achievement. Particularly fun is tandem or twin gliding on a wide slide.

Fundamental characteristics

- Friendly appearance
- High-quality design
- Can also be installed as embankment slides
- Incentive for playing: experiencing height, thrill
- Movement: sliding

Recommended for

- Kindergarten children
- School children
- Supervised play areas, such as kindergartens, schools, after-school programmes or similar
- Public play areas without supervision, such as playgrounds, parks or similar

Note on installation

The orientation of the slide to the South has to be avoided because of heating up of the material.



Photo © Jenny Halse

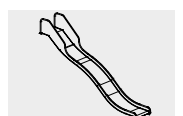


Special version, Photo © Anton Donikov

**Stainless Steel Slides
Width 1.00 / 1.50 m**



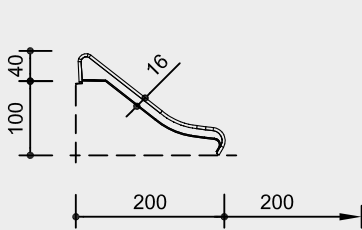
3.63300 - 3.64250



3.63395 / 3.64105

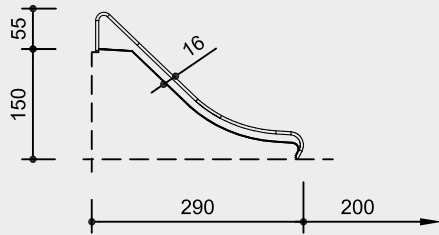
Order No. 3.63300

Width 1.00 m



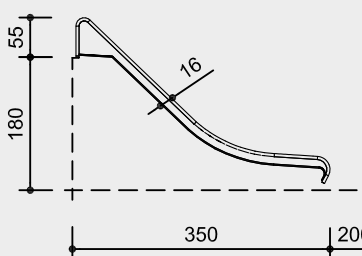
Order No. 3.63320 / 3.64200

Width 1.00 / 1.50 m



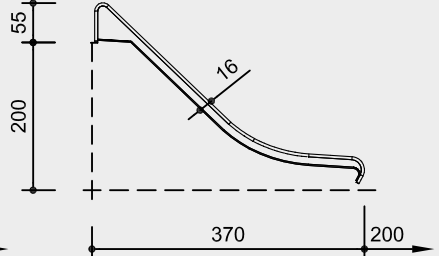
Order No. 3.63340 / 3.64210

Width 1.00 / 1.50 m



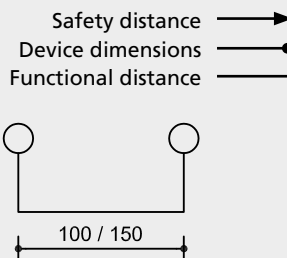
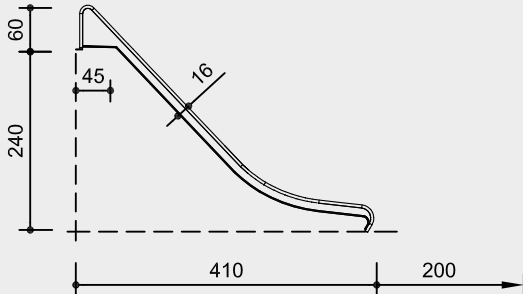
Order No. 3.63360 / 3.64220

Width 1.00 / 1.50 m



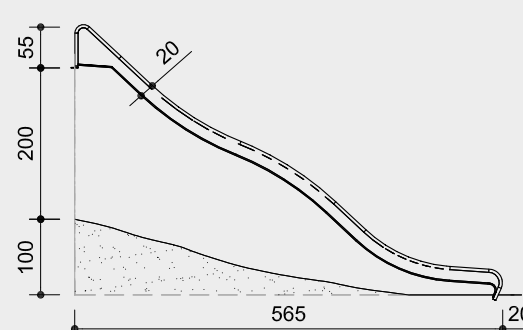
Order No. 3.63380 / 3.64230

Width 1.00 / 1.50 m



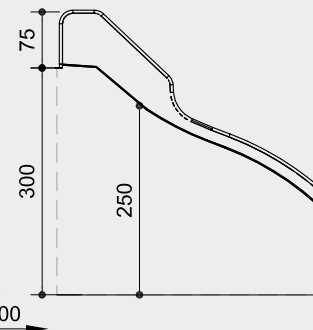
Order No. 3.63390 / 3.64240

Width 1.00 / 1.50 m



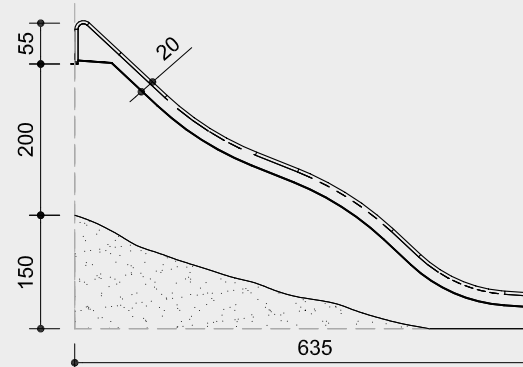
Order No. 3.63395

Width 1.00 m



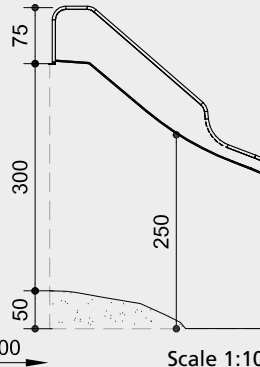
Order No. 3.64100 / 3.64250

Width 1.00 / 1.50 m



Order No. 3.64105

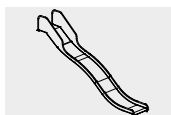
Width 1.00 m



Safety check according to DIN EN 1176



3.63300 - 3.64250



3.63395 / 3.64105

Attention:
Exact measurements may vary;
for all installation dimensions refer
to current assembly instructions.
Technical changes reserved.

Technical information

Slides made of stainless steel,
glass bead blasted
Handrail tube Ø 42 mm, thickness 2 mm
Height of sides 16 or 20 cm
Attached at the top and bottom with
mounting plates

**Order No.
3.63300 - 3.63380 / 3.64200 - 3.64230**

Thickness of sides 2 mm,
thickness of sliding surface 3 mm

**Order No.
3.63390 - 3.63395 / 3.64240 - 3.64105**

Thickness of sides 2.5 mm,
thickness of sliding surface 3 mm

Order No. 3.63395 / 3.64105

With higher sides for fall height
of more than 2.00 m

Dimensions see sketches
(small deviations possible)

Order No.	Weight
3.63300	65 kg
3.63320	110 kg
3.63340	130 kg
3.63360	150 kg
3.63380	170 kg
3.63390	231 kg
3.63395	249 kg
3.64100	242 kg
3.64105	280 kg
3.64200	150 kg
3.64210	175 kg
3.64220	200 kg
3.64230	225 kg
3.64240	320 kg
3.64250	335 kg

Components

- Order No. 3.63300**
1 Slide with ground anchor
- Order No. 3.63320 - 3.63380**
1 Slide
- Order No. 3.63390 / 3.64100**
1 Slide with 1 wave
- Order No. 3.63395 / 3.64105**
1 Slide as above but with higher sides
- Order No. 3.64200 - 3.64230**
1 Slide
- Order No. 3.64240 / 3.64250**
1 Slide with 1 wave

Installation information

Surfacing requirements
depending on the installation height,
embankment slides depending on the
topographic situation; in the run-out
area we recommend material such as
sand (please refer to price list for more
detailed information)

Foundations
Slides with ground anchor do not need
concrete foundations; all other slides
2 items 30 x 30 x 30 cm
Excavation depth 70 cm

Play value

Every playground needs a slide. Small and large children alike delight in sliding down a slope at speed. This slide, specially made for wheelchair users, is one meter wide and additionally equipped with a grab rail. This gives the child security to find the right sitting position when not in their wheelchair, before letting go and enjoying the slide.



Photo © Tristan Filippone



Photo © Tristan Filippone



Order No. 3.63303 Stainless Steel Slide for Wheelchair-bound Persons

Fundamental characteristics

- Unique position
- Agreeable design
- Incentive for playing: experience height, role-playing games
- Movement: climbing, sliding

Recommended for

- Kindergarten children
- School children
- Supervised play areas, such as kindergartens, schools, after-school programmes or similar
- Public play areas without supervision, such as playgrounds, parks or similar

Barrier-free

- Special movement experience
- With carer

Stainless Steel Slides for Wheelchair-bound Persons



3.63302



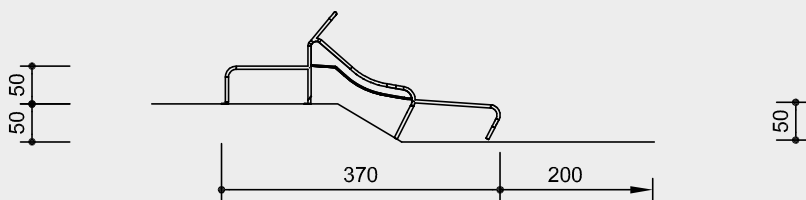
3.63303



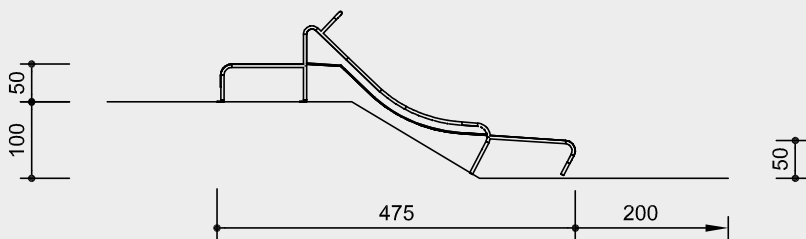
3.63323

Order No. 3.63302
Stainless Steel Slide
for Wheelchair-bound Persons
 Height 0.50 m

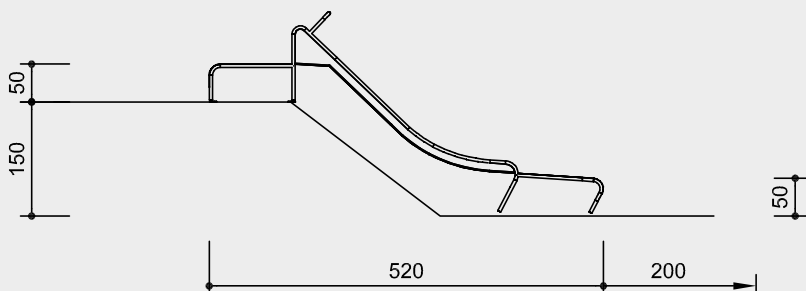
Safety distance 
 Device dimensions 
 Functional distance 



Order No. 3.63303
Stainless Steel Slide for Wheelchair-bound Persons
 Height 1.00 m



Order No. 3.63323
Stainless Steel Slide for Wheelchair-bound Persons
 Height 1.50 m



Scale 1:100

Safety check according to DIN EN 1176

Components

Order No. 3.63302

- 1 Slide with wheelchair starting element, extended run-out and slide feet

Order No. 3.63303

- 1 Slide with wheelchair starting element, extended run-out and slide feet

Order No. 3.63323

- 1 Slide with wheelchair starting element, extended run-out and slide feet

Installation information

Surfacing requirements corresponding to a fall height of ≤ 2.00 m (please refer to price list for more detailed information)

At the run-out of the slide we recommend sand as loose fill material

Foundation
 4 items 30 x 30 x 30 cm
 Excavation depth 70 cm

Attention:
Exact measurements may vary;
for all installation dimensions refer
to current assembly instructions.
 Technical changes reserved.

Technical information

Equipment made of stainless steel, glass bead blasted
 Handrail tube \varnothing 42 mm, thickness 2 mm
 Cheek height 16 cm
 Attached at the top and bottom with mounting plates
 Thickness of sides 2 mm, thickness of sliding surface 3 mm

Dimensions
 (small deviations possible)

Order No. 3.63302	
Width	1.00 m
Height	0.50 m
Weight	140 kg
Order No. 3.63303	
Width	1.00 m
Height	1.00 m
Weight	160 kg
Order No. 3.63323	
Width	1.00 m
Height	1.50 m
Weight	180 kg



3.63302



3.63303



3.63323



This picture shows an old version without steel feet



This picture shows an old version without steel feet

Play value

A large number of add-on elements gives the planner the possibility to design playgrounds in a versatile and interesting way. The slide platform is an example of this.

Fundamental characteristics

- Unique position
- Agreeable design
- Incentive for playing: experience height, role-playing games
- Movement: climbing, sliding

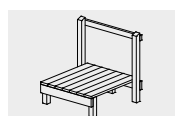
Recommended for

- Kindergarten children
- School children
- Supervised play areas, such as kindergartens, schools, after-school programmes or similar
- Public play areas without supervision, such as playgrounds, parks or similar



This picture shows an old version without steel feet

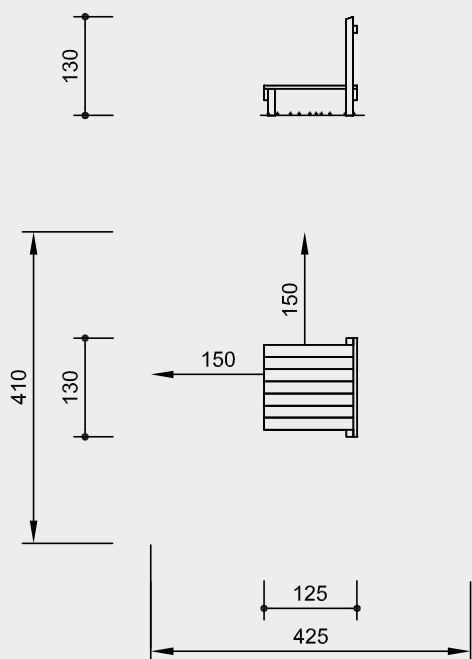
Pedestal



3.64311

Order No. 3.64311
Pedestal

Safety distance 
Device dimensions 
Functional distance 



Scale 1:100

Safety check according to DIN EN 1176

Components

- 1 Platform
- 4 Stand posts with steel feet
- 1 Handrail

Installation information

Surfacing requirements
This equipment does not reach the free height of fall limit of 0.60 m above which a specific requirement for impact absorbing surfacing or materials is necessary. However, we recommend surfacing corresponding to a fall height of ≤ 1.00 m.

Foundations
4 items 50 x 50 x 50 cm
Excavation depth 70 cm

Attention:
Exact measurements may vary;
for all installation dimensions refer to current assembly instructions.
Technical changes reserved.

Technical information

Equipment made of non-impregnated mountain larch

Bevel cut

Vertical stand posts with bevelled end grain section as constructive wood preservation measure



Core-free

Sawn-timbers core-free, thus decreasing occurrences of cracking and undesired changes in shape



Tongue and groove

Tongue and groove planks made of 4 cm solid wood, highly resilient, no trickling of dust / sand, protection against direct rain



Ground anchor

All parts used for anchoring to the ground are made of hot-dip galvanised steel or stainless steel

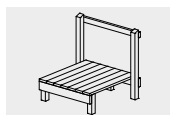


For more detailed explanation of the quality characteristics see price list.

Dimensions

(small deviations possible)

Height	1.30 m
Length	1.30 m
Width	1.25 m
Weight	90 kg



3.64311



Play value

The Open Slide only works if it is constructed like a bobsleigh track. Above all, this means that extended sides, in particular in the curves, must be specially constructed. This fully stainless steel mould provides a safe design which guarantees sliding fun. The long descent makes it attractive for people of all ages.

Order No. 3.65200 Slide Support with Steps



Order No. 3.67000 Open Slides

© Richter Spielgeräte GmbH 06/22

Fundamental characteristics

- Soft shape
- High-quality design
- Incentive for playing: long descent
- Movement: sliding, climbing

**Open Slides
Slide supports**

Recommended for

- Kindergarten children
- School children
- Public play areas without supervision such as playgrounds, parks or similar

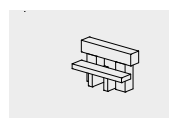
Planning information

Open Slides need to be planned individually taking into consideration the topographic situation. For working out a planning proposal we require a landscaping plan with height indications from your side.

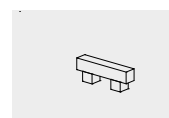


Note on installation

The orientation of the slide to the South has to be avoided because of heating up of the material.



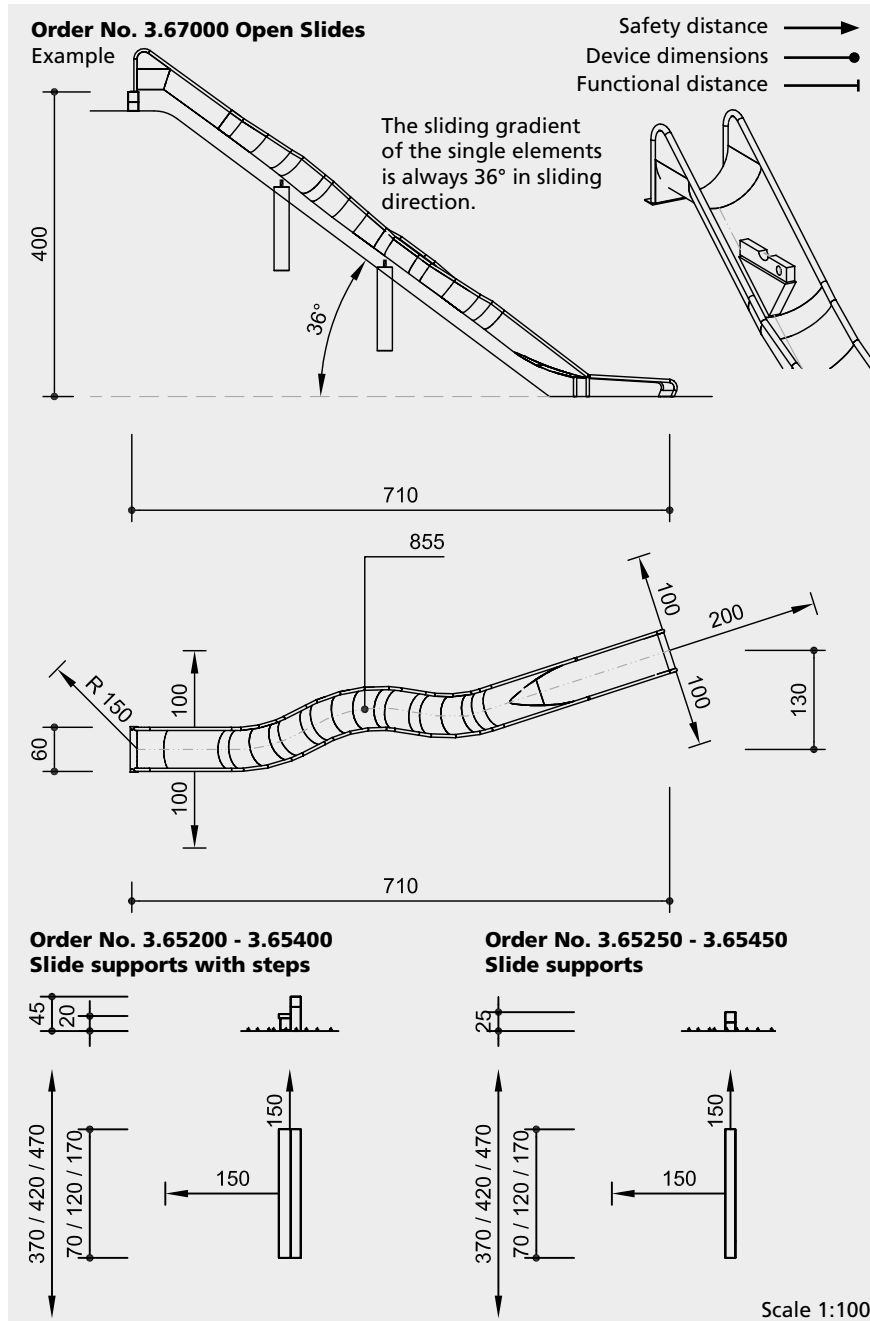
3.65200 - 3.65400



3.65250 - 3.65450



3.67000



Safety check according to DIN EN 1176

Components

1 Part each

Order No. 3.67000 Open Slides

Number and length of supports depending on shape of slide and topographic situation; depending on transport capacity one-piece construction or split (with screwable connecting flange)

Attention:

Exact measurements may vary; for all installation dimensions refer to current assembly instructions. These slides are specially produced designs. The accompanying drawings must be adhered to.

Technical changes reserved.

Slide support also available in steel.

Technical information

Order No. 3.67000 Open Slides

Ground anchor

All parts used for anchoring to the ground are made of hot-dip galvanised steel or stainless steel



For more detailed explanation of the quality characteristics see price list.

Moulds of the Open Slides consist made of 2.5 mm stainless steel metal, welded with inert gas
Double sided, gapless handrail made of 42 mm stainless steel tubing

Order No. 3.65200 - 3.65450 Slide supports

Core-free

Sawn-timbers core-free, thus decreasing occurrences of cracking and undesired changes in shape



End grain connector

End grain connector as special fitting for the adjustable connection of horizontal and vertical timber



For more detailed explanation of the quality characteristics see price list.

Posts made of oak heartwood, traverse and steps made of non-impregnated mountain larch

Dimensions

(small deviations possible)

Order No. 3.67000 Open Slides

Length according to arrangement of elements or according to topography and fixing height

Width 0.60 m
Weight 20 kg/m

Order No. 3.65200 - 3.65450 Slide supports

Width 0.70 / 1.20 / 1.70 m
With step height 0.45 m
Without step height depending on
Installation depth 0.15 - max. 0.25 m
Weight 75 - 140 kg

Installation information

Surfacing requirements depending on installation situation, in the run-out area we recommend material such as sand (please refer to price list for more detailed information)

Foundations

Order No. 3.67000 Open Slides

Per support 1 item 80 x 80 x 40 cm
Excavation depth 60 cm
Run-out 2 or 3 items 50 x 70 x 40 cm
Excavation depth 80 cm

Order No. 3.65200 / 3.65250

Slide supports

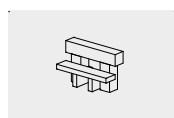
1 item 50 x 90 x 50 cm
Excavation depth 70 cm

Order No.

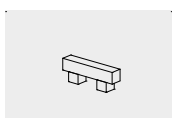
3.65300 / 3.65350 / 3.65400 / 3.65450

Slide supports

2 items 50 x 50 x 50 cm
Excavation depth 70 cm



3.65200 - 3.65400



3.65250 - 3.65450



3.67000

Play value

Tunnel Slides are very attractive for children. The „tingling“ feeling and butterflies in the stomach are enhanced by sliding into the dark tube. Sliding out in the bright day gives a sensation of liberation often accompanied by laughing and shouting. The opposites of above and below, beginning and end, and dark and light are experienced in a stronger way than on an open slide.

Fundamental characteristics

- Soft shape
- High-quality design
- Incentive for playing: tube, long descent, curiosity
- Movement: sliding, climbing up

Recommended for

- School children
- Public play areas without supervision such as playgrounds, parks or similar
- Leisure areas



Photo © Daniel Perales



Photo © Lesław Kadziela



Photo © Paul Upward

Tunnel Slide

Planning information

Tunnel Slides need to be planned individually taking into consideration the topographic situation. For working out a planning proposal we require a landscaping plan with height indications from your side.


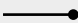

Note on installation

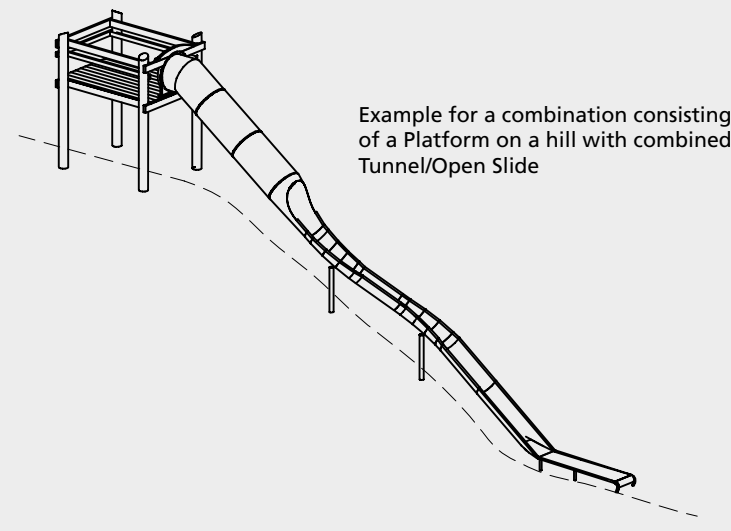
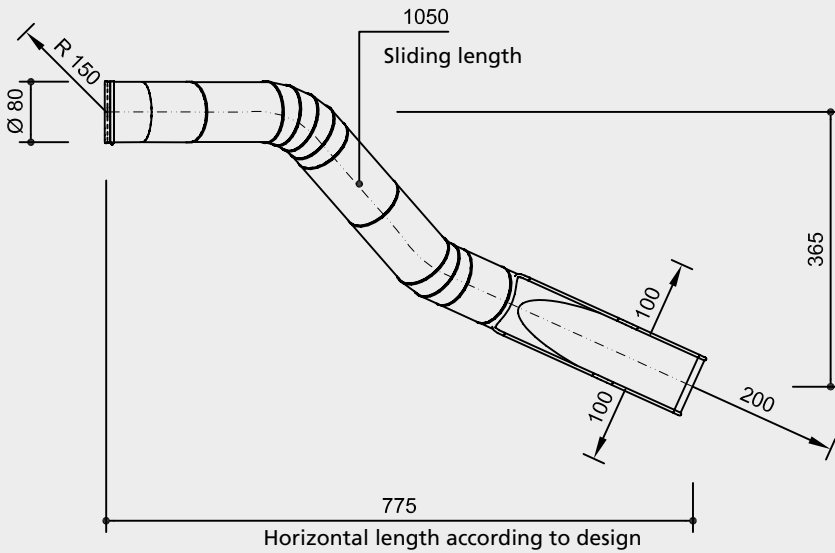
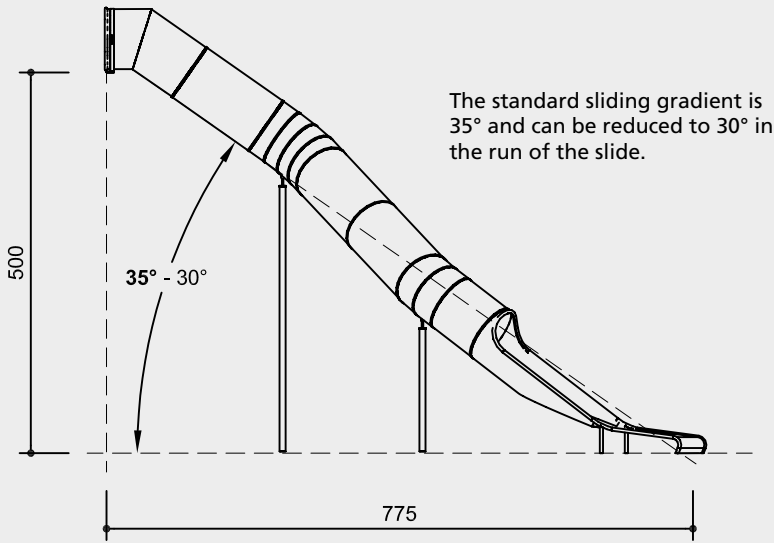
The orientation of the slide to the South has to be avoided because of heating up of the material.



3.68000

Order No. 3.68000
Tunnel Slide
 Individual example

Safety distance 
 Device dimensions 
 Functional distance 



Scale 1:100

Safety check according to DIN EN 1176



3.68000

Technical information

Tubes of the Tunnel Slides made of 2.5 mm stainless steel, outside glass bead blasted, seamed for connection and then welded with inert gas

Ground anchor

All parts used for anchoring to the ground are made of hot-dip galvanised steel or stainless steel



For more detailed explanation of the quality characteristics see price list.

Handrails made of Ø 42 mm stainless steel tubing at the starting and run-out element, material strength 2 mm

Fittings made of stainless steel

Dimensions

(small deviations possible)

Diameter inside 0.80 m
 Length according to arrangement of elements or according to topography and fixing height
 Weight 45 kg/m

Components

Number and length of supports depending on shape of slide and topographic situation

Depending on transport capacity one-piece construction or split (with screwable connecting flange)

Installation information

Surfacing requirements depending on installation situation in the run-out area we recommend material such as sand (please refer to price list for more detailed information)

Foundations
 Per support 1 item 80 x 80 x 40 cm
 Excavation depth 80 cm
 Run-out 2 or 3 items 100 x 50 x 40 cm
 Excavation depth 80 cm

Attention:
These slides are specially produced designs. The accompanying drawings must be adhered to.

Technical changes reserved.



Photo © Ilya Teplov



Photo © Anton Donikov

Snail Run-out

Play value

The well-designed Snail Run-out allows many more possibilities of use for attractive slide installations because it slows down the descent. By that, long and straight run-out elements are not necessary. The Snail Run-out can be combined with individually planned Open and Tunnel Slides.

Fundamental characteristics

- The curve which is banked on one side slows down any speed
- Safe run-out for fast and slow slide users
- Space saving run-out element

Recommended for

- School children
- Supervised play areas, such as kindergartens, schools, after-school programmes or similar
- Public play areas without supervision, such as playgrounds, parks or similar



Photo © Ilya Teplov

© Richter Spielgeräte GmbH 06/22

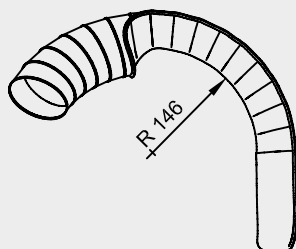
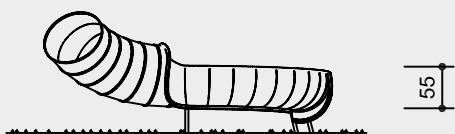
Design M. Heybour



3.68050

Order No. 3.68050
Snail Run-out

Safety distance 
 Device dimensions 
 Functional distance 



Scale 1:100

Safety check according to DIN EN 1176

Components

Integrated into the main slide - available in different lengths

Installation information

Surfacing requirements
 Recommendation: material such as sand (please refer to price list for more detailed information)

Foundations
 3 items 60 x 60 x 40 cm
 Excavation depth 80 cm

Attention:
Exact measurements may vary;
for all installation dimensions refer to current assembly instructions.
 Technical changes reserved.

Technical information

Total construction of 2.5 mm stainless steel metal, welded using inert gas arc welding

Double sided, gapless handrail made of 42 mm stainless steel tubing, thickness of material 2 mm

Dimensions

(small deviations possible)

For combination with Open Slide	
Width	0.55 m
For combination with Tunnel Slide	
Diameter	0.80 m
Banked curve on one side	
Height	0.55 m
Radius brake curve	1.46 m
Length	6.00 / 8.00 m
Length of run-out	1.25 m
Slide gradient	36° at the beginning, then more level
Weight	160 / 190 kg



3.68050

Play value

Our Play Cube consists of a space element that offers various opportunities for hiding and going through openings. The cosiness of the little niche also provides the children with enough space for fantasy-full role-playing games. The equipment can be accessed via a small wall or an inclined climbing net.

Fundamental characteristics

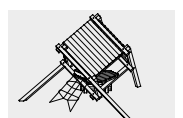
- Child-oriented dimensions according to ergonomic knowledge
- The space-defining design appeals to the senses
- High-quality design
- Numerous play offers
- Incentive for playing: cosy room, role-playing game
- Movement: climbing, balancing

Recommended for

- Kindergarten children
- School children
- Supervised play areas, such as kindergartens, schools, after-school programmes or similar
- Public play areas without supervision, such as playgrounds, parks or similar



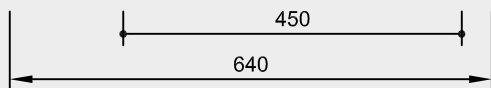
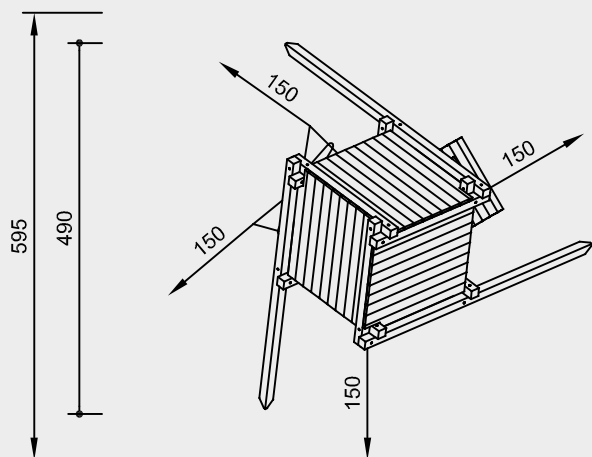
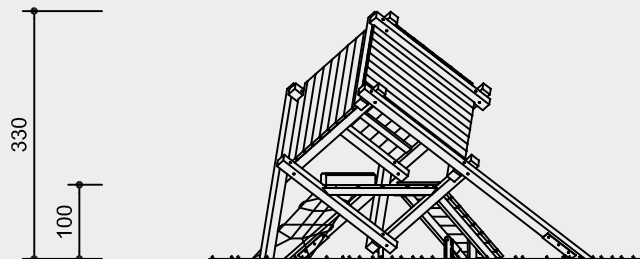
Play Cube with Inclined Wall and Inclined Climbing Net



4.09100

Order No. 4.09100
Play Cube

Safety distance →
Device dimensions ●
Functional distance —|



Scale 1:100

Safety check according to DIN EN 1176

Components

- 1 Play Cube
- 1 Inclined climbing net
- 1 Inclined wall

Installation information

Surfacing requirements corresponding to a fall height of ≤ 1.00 m (please refer to price list for more detailed information)

Foundations

Play Cube

- 1 item 70 x 70 x 60 cm
- Excavation depth 80 cm
- 3 items 70 x 70 x 40 cm
- Excavation depth 60 cm

Net

- 2 items 50 x 50 x 40 cm
- Excavation depth 80 cm

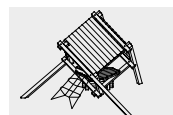
Inclined Wall

- 1 items 50 x 105 x 40 cm
- Excavation depth 60 cm

Attention:

Exact measurements may vary; for all installation dimensions refer to current assembly instructions.

Technical changes reserved.



4.09100

Technical information

Equipment made of non-impregnated mountain larch

Core-free

Sawn-timbers core-free, thus decreasing occurrences of cracking and undesired changes in shape



Tongue and groove

Tongue and groove planks made of 4 cm solid wood, highly resilient, no trickling of dust / sand, protection against direct rain



Richter Hercules type rope

Richter Hercules type rope, a combination of galvanised six-strand steel cables and polyester yarn, diameter > 20 mm, laid and glued with very good abrasion resistance, strong sheathing even in the case of damage by puncturing



Aluminium rope pressing

Aluminium rope pressing, cylindrically pressed, with rounded ends



Rope connection fixed

Fixed rope connection without dangerous openings. Screw connection adjustable and countersunk in the wood



Profiled washer

Profiled washer for covering protruding screw heads according to standard, improved pressure distribution and protection against water. Impedes loosening the bolt



Adjustable

Adjustable two-piece bolt connection, easy to maintain, no projecting threads



Ground anchor

All parts used for anchoring to the ground are made of hot-dip galvanised steel or stainless steel



For more detailed explanation of the quality characteristics see price list.

Dimensions

(small deviations possible)

Height	3.30 m
Floor height	1.00 m
Length	4.50 m
Width	4.90 m
Weight	800 kg



Photo © Daniel Perales

Play value

The appealing design of our play houses means they become the magic centre of attraction for small children. With a cosy atmosphere and basic furnishings, consisting of a table and benches, they act as a stimulus for various role-playing games. Also, the sliding half door inspires shopping, post office and train station games while the veranda with two small benches promotes communication and sociability.

Fundamental characteristics

- Child-oriented dimensions according to ergonomic knowledge
- Emotionally appealing design thanks to low-reaching roofs
- Mixture of materials: claddings/square timber
- Natural wooden surface that appeals to the senses
- Sturdy roof design thanks to double layer
- Elements that promote games: veranda, sliding door, interior fittings

Recommended for

- U3
- Kindergarten children
- Supervised play areas, such as kindergartens, schools, after-school programmes or similar
- Public play areas without supervision, such as playgrounds, Parks or similar



© Richter Spielgeräte GmbH 06/22



Order No. L4.10110 Small Play House with Door

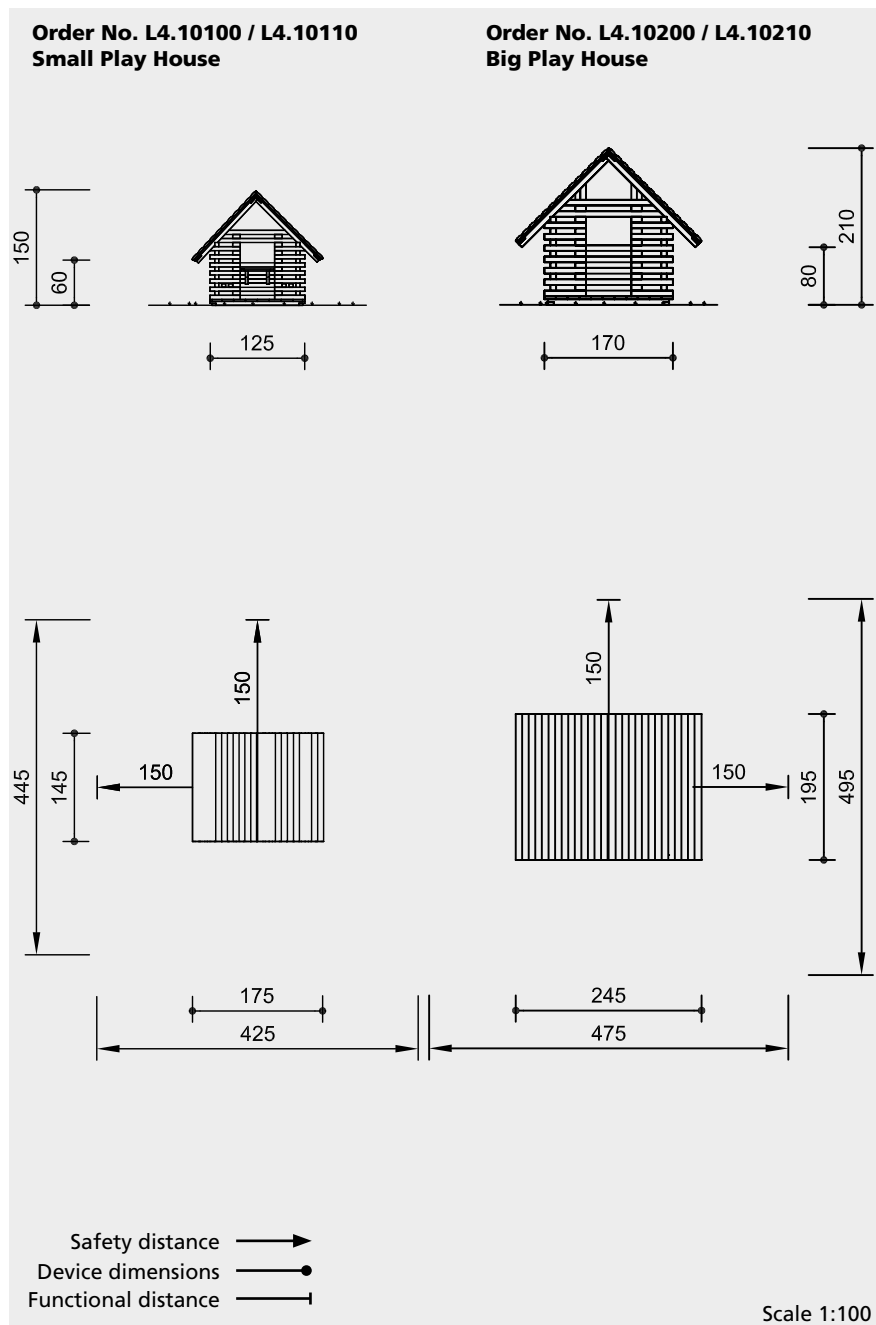
Small Play House
Small Play House with Door
Big Play House
Big Play House with Door



L4.10100 / L4.10110



L4.10200 / L4.10210



Safety check according to DIN EN 1176

Components

Order No. L4.10100 / L4.10200

- 1 House structure, built-in:
- 2 Benches
- 1 Table
- 2 Roof sections, double-layered
- 4 Foundation irons

Order No. L4.10110 / L4.10210

As above, but with fitted door

Installation information

Surfacing requirements corresponding to a fall height of ≤ 0.60 m (please refer to price list for more detailed information)

Foundations (only necessary in order to immobilise the equipment)

Order No. L4.10100 / L4.10110

4 items 30 x 30 x 30 cm
Excavation depth 40 cm

Order No. L4.10200 / L4.10210

4 items 40 x 40 x 40 cm
Excavation depth 50 cm

Attention:

Exact measurements may vary; for all installation dimensions refer to current assembly instructions.

Technical changes reserved.



L4.10100 / L4.10110



L4.10200 / L4.10210

Technical information

Equipment made of non-impregnated mountain larch

Core-free

Sawn-timbers core-free, thus decreasing occurrences of cracking and undesired changes in shape



Claddings

Claddings made of mountain larch (4 – 5 cm). Peeled white by hand, natural tree surface remains tangible and perceptible



Ground anchor

All parts used for anchoring to the ground are made of hot-dip galvanised steel or stainless steel



For more detailed explanation of the quality characteristics see price list.

Dimensions

(small deviations possible)

Order No. L4.10100

Small Play House

Order No. L4.10110

Small Play House with Door

Height	1.50 m
Width	1.75 m
Depth	1.45 m
Weight	250 kg

Order No. L4.10200

Big Play House

Order No. L4.10210

Big Play House with Door

Height	2.10 m
Width	2.45 m
Depth	1.95 m
Weight	500 kg



Play value

The „Smallest Playing House“ with its basic furnishings like a table and benches is a miniature edition of our „Small Playing House“ and is suitable for children who are at the crawling stage. It is a piece of equipment which creates a special atmosphere in the area for the smallest children.

Fundamental characteristics

- Child-oriented dimensions
- Design inspires a feeling of safety
- Mixed materials: claddings/square timber
- Natural wooden surface which appeals to the senses
- Sturdy double-layer roof construction
- Incentive for playing: veranda, furniture

Recommended for

- Children under 3 years
- Kindergarten children
- Supervised play areas, such as kindergartens, schools, after-school programmes or similar
- Public play areas without supervision, such as playgrounds, parks or similar



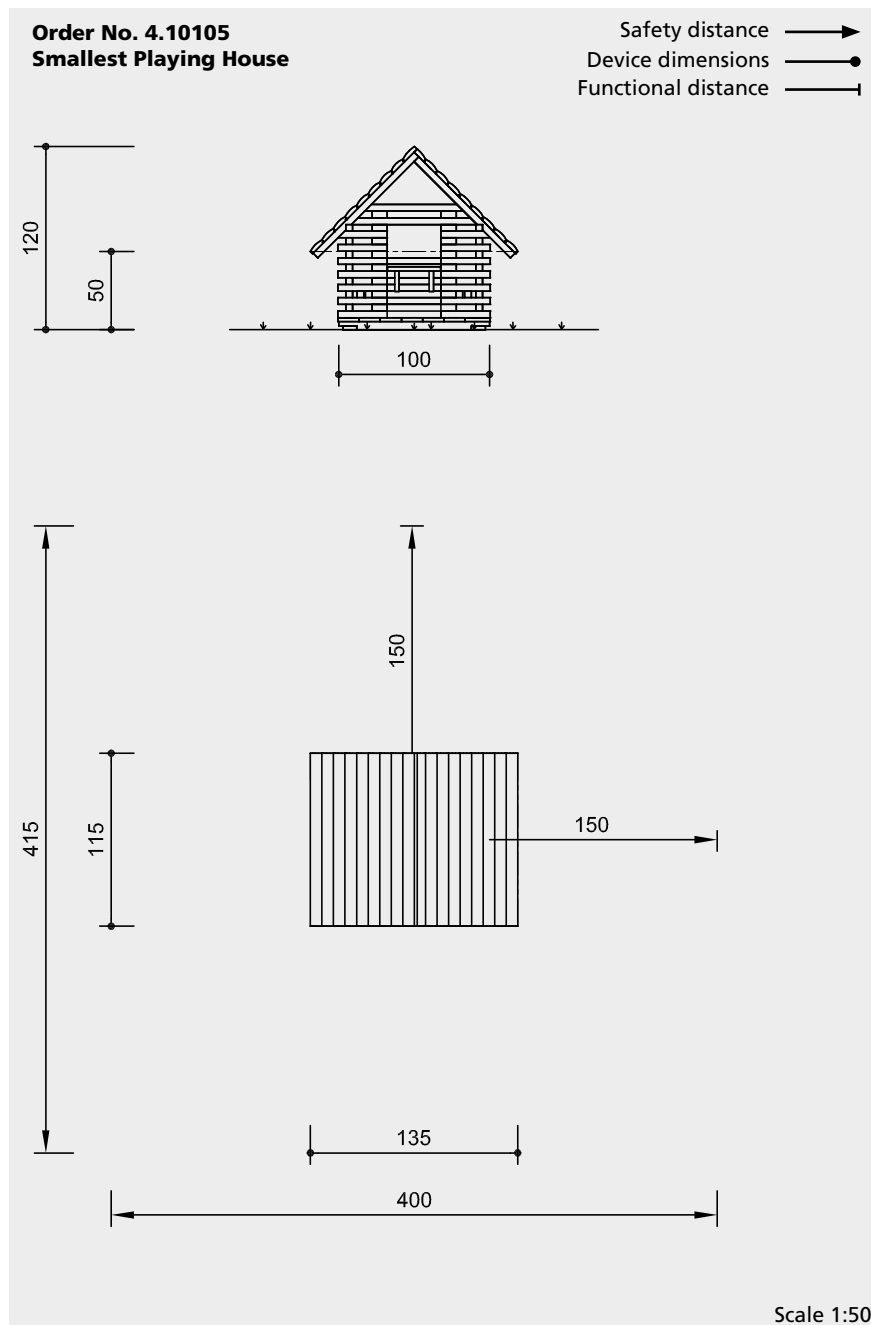
Smallest Playing House



© Richter Spielgeräte GmbH 06/22



4.10105



Safety check according to DIN EN 1176

Components

- 1 House body, including:
 - 2 Benches
 - 1 Table
- 2 Roof sections, single-layered
- 4 Foundation irons

Installation information

Surfacing requirements corresponding to a fall height of ≤ 0.60 m (please refer to price list for more detailed information)

Foundations (only necessary in order to immobilise the equipment)
4 items 30 x 30 x 30 cm
Excavation depth 40 cm

Attention!

Exact measurements may vary, for all installation dimensions refer to current installation instructions.
Subject to technical changes!

Technical information

Equipment made of non-impregnated mountain larch

Core-free

Sawn-timbers core-free, thus decreasing occurrences of cracking and undesired changes in shape



Claddings

Claddings made of mountain larch (4 – 5 cm). Peeled white by hand, natural tree surface remains tangible and perceptible



Ground anchor

All parts used for anchoring to the ground are made of hot-dip galvanised steel or stainless steel



For more detailed explanation of the quality characteristics see price list.

Dimensions

(small deviations possible)

Height	1.20 m
Length	1.35 m
Width	1.15 m
Weight	150 kg



4.10105



Photo © Paul Upward

Play value

The Timber House is a Play House on stilts, with basic furnishings like a table and benches. It offers all the play possibilities of the Play House but has a higher play value due to the second play level. The lower play area invites den-building and adventure games but can also be cellar or stable. The stair is a stimulus for activity and can be an activity in itself, climbing, stepping, jumping and hiding.

Fundamental characteristics

- Child proportions according to ergonomic requirements
- Appealing design
- Natural wooden surface which appeals to the senses
- Incentive for playing: veranda, furniture, stair
- Movement: climbing up and around

Recommended for

- Kindergarten children
- Schoolchildren
- Supervised play areas, such as kindergartens, schools, after-school programmes or similar
- Public play areas without supervision, such as playgrounds, parks or similar



Photo © imagin visual promotions

Small Timber House on Stilts
Small Timber House on Stilts with door
Large Timber House on Stilts
Large Timber House on Stilts with door



© Richter Spielgeräte GmbH 06/22



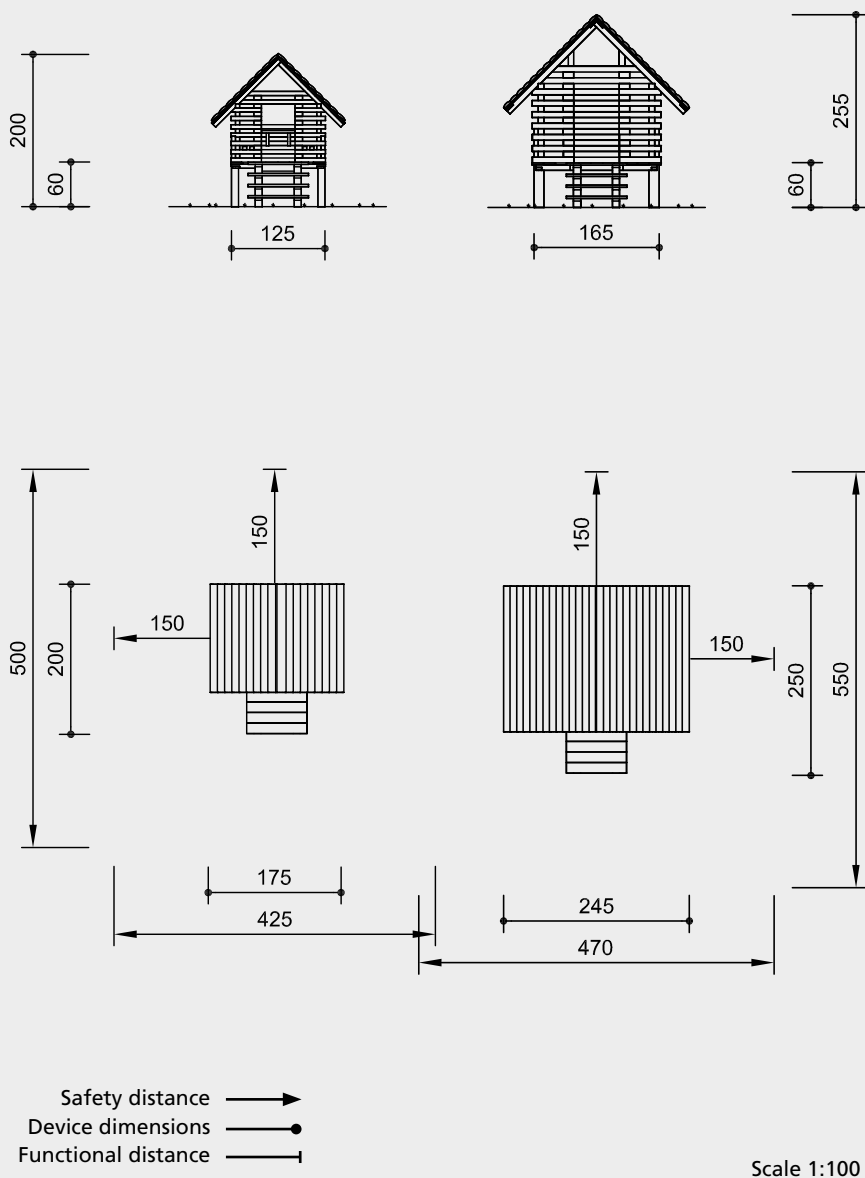
L4.10300 / L4.10310



L4.10400 / L4.10410

Order No. L4.10300 / L4.10310
Small Timber House on Stilts

Order No. L4.10400 / L4.10410
Large Timber House on Stilts



Technical information

Equipment made of non-impregnated mountain larch

Core-free
 Sawn-timbers core-free, thus decreasing occurrences of cracking and undesired changes in shape



Claddings
 Claddings made of mountain larch (4 – 5 cm). Peeled white by hand, natural tree surface remains tangible and perceptible



Ground anchor
 All parts used for anchoring to the ground are made of hot-dip galvanised steel or stainless steel



For more detailed explanation of the quality characteristics see price list.

Floor of 25 mm tongue and groove boards

Steps of stairs made of hardwood, 32 mm

Dimensions
 (small deviations possible)

Order No. L4.10300
Small Timber House on Stilts
Order No. L4.10310
Small Timber House on Stilts with door

Height	2.00 m
Height floor	0.60 m
Length	1.75 m
Width	2.00 m
Weight	320 kg

Order No. L4.10400
Large Timber House on Stilts
Order No. L4.10410
Large Timber House on Stilts with door

Height	2.55 m
Height floor	0.60 m
Length	2.45 m
Width	2.50 m
Weight	600 kg

Safety check according to DIN EN 1176

Components

- Order No. L4.10300 / L4.10400**
- 1 House body, including:
 - 2 Benches
 - 1 Table
 - 4 Support posts with steel feet
 - 1 Stairs with foundation irons
 - 2 Roof sections, double-layered

- Order No. L4.10310 / L4.10410**
 As above, but with door

Installation information

Surfacing requirements corresponding to a fall height of ≤ 0.60 m (please refer to price list for more detailed information)

- Foundations**
- Order No. L4.10300 / L4.10310**
- 4 items 50 x 50 x 40 cm
 - Excavation depth 60 cm
 - 1 item 30 x 70 x 20 cm
 - Excavation depth 40 cm
- Order No. L4.10400 / L4.10410**
- 4 items 50 x 50 x 40 cm
 - Excavation depth 60 cm
 - 1 item 30 x 70 x 20 cm
 - Excavation depth 40 cm

Attention:
Exact measurements may vary;
for all installation dimensions refer to current assembly instructions.
 Technical changes reserved.



L4.10300 / L4.10310

L4.10400 / L4.10410



Photo © Phil Wilkinson

Play value

The Two Storey Play House offers two rooms and basic furnishings like a table and benches for role play such as family, mother and child and neighbourly play activities on two levels. There is a furnished basement with window and a ladder leading to the upper area.

Fundamental characteristics

- Child proportions according to ergonomic requirements
- Appealing design by solid wooden roof, proportion between closed and transparent walls, child-orientated rooms
- Natural wooden surface which appeals to the senses
- Incentive for playing: two storeys, veranda, furnishing on both play levels

Recommended for

- Kindergarten children
- School children
- Supervised play areas, such as kindergartens, schools, after-school programmes or similar
- Public play areas without supervision, such as playgrounds, parks or similar



Two Storey Play House



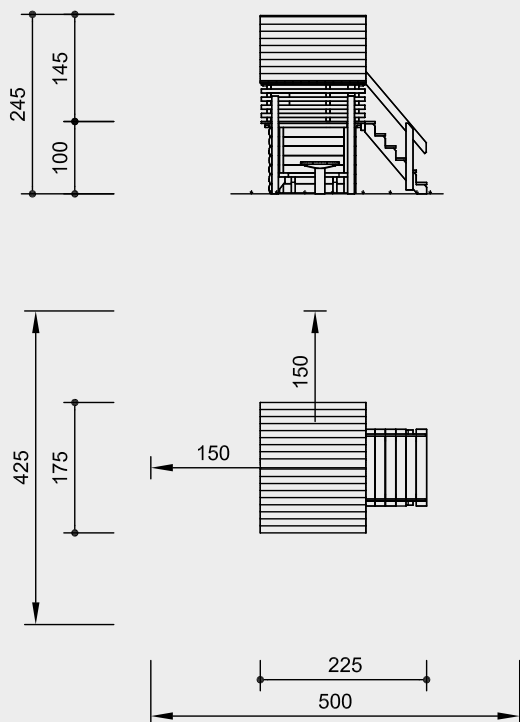
© Richter Spielgeräte GmbH 06/22



L4.10500

Order No. L4.10500
Two Storey Play House

Safety distance →
 Device dimensions ●
 Functional distance —



Scale 1:100

Safety check according to DIN EN 1176

Components

- 1 House body
- 2 Roof sections, double-layered
- 4 Support posts with steel feet
- 1 Level playroom containing:
 - 2 Walls with 2 benches
 - 1 Round table with steel foot
- 1 Stairs with hand rail and foundation irons

Installation information

Surfacing requirements corresponding to a fall height of ≤ 1.00 m (please refer to price list for more detailed information)

Foundations

Timber House on Stilts

4 items 50 x 50 x 40 cm
 Excavation depth 60 cm

Stairs

2 items 30 x 30 x 20 cm
 Excavation depth 40 cm

Table

1 item 40 x 40 x 40 cm
 Excavation depth 60 cm

Attention:
Exact measurements may vary;
for all installation dimensions refer
to current assembly instructions.
 Technical changes reserved.

Technical information

Equipment made of non-impregnated mountain larch

Core-free

Sawn-timbers core-free, thus decreasing occurrences of cracking and undesired changes in shape



Claddings

Claddings made of mountain larch (4 – 5 cm). Peeled white by hand, natural tree surface remains tangible and perceptible



Ground anchor

All parts used for anchoring to the ground are made of hot-dip galvanised steel or stainless steel



For more detailed explanation of the quality characteristics see price list.

Floor of 25 mm tongue and groove boards

Steps of stair made of hardwood, 32 mm

Dimensions

(small deviations possible)

Total height	2.45 m
Height floor	1.00 m
Length	2.25 m
Width	1.75 m
Width stair	1.20 m
Weight	380 kg



L4.10500

Play value

The small village of timber houses provides a friendly atmosphere in the play area. The different play levels with their basic furnishings like a table and benches stimulate house and cave games while the wide platform is a meeting point for neighbourhood contacts. The steps are good for sitting and talking. Naturally the active children use the village for running about, chasing and climbing.



© Richter Spielgeräte GmbH 06/22

House Group A

Fundamental characteristics

- Child proportions according to ergonomic requirements
- Agreeably designed ensemble for role-playing games
- Appealing design by: arrangement of the houses, sheltering roofs, alteration on materials: claddings/ square timber
- Natural wooden surface which appeals to the senses
- Sturdy roof construction
- Incentive for playing: furniture, stairs, ramps
- Movement: crawling, hiding, climbing

Recommended for

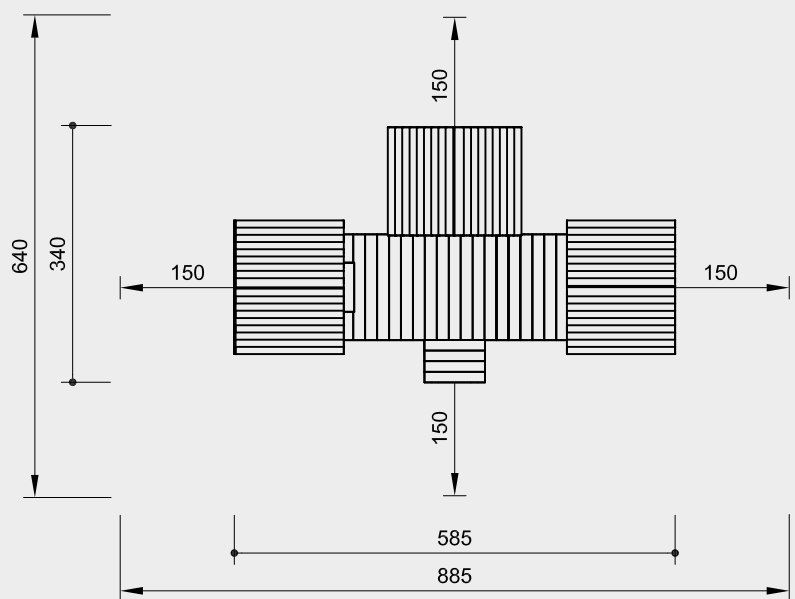
- Kindergarten children
- School children
- Supervised play areas, such as kindergartens, schools, after-school programmes or similar
- Public play areas without supervision, such as playgrounds, parks or similar
- Private play areas without supervision, such as camp sites or similar



L4.10700

Order No. L4.10700
House Group A

Safety distance 
Device dimensions 
Functional distance 



Scale 1:100

Safety check according to DIN EN 1176

Components

- 3 Timber houses on stilts with steel feet
- 1 Level room containing:
 - 2 walls with 2 benches,
 - 1 Round table with steel foot
- 1 Bridge
- 1 Stairs with foundation irons
- 1 Step

Installation information

Surfacing requirements corresponding to a fall height of ≤ 0.60 m (please refer to price list for more detailed information)

Foundations

Timber Houses

12 items 50 x 50 x 40 cm
Excavation depth 60 cm

Stairs

1 item 70 x 30 x 20 cm
Excavation depth 40 cm

Table

1 item 40 x 40 x 40 cm
Excavation depth 60 cm

Attention:

Exact measurements may vary; for all installation dimensions refer to current assembly instructions.

Technical changes reserved.



L4.10700

Technical information

Equipment made of non-impregnated mountain larch

Core-free

Sawn-timbers core-free, thus decreasing occurrences of cracking and undesired changes in shape



Claddings

Claddings made of mountain larch (4 – 5 cm). Peeled white by hand, natural tree surface remains tangible and perceptible



Ground anchor

All parts used for anchoring to the ground are made of hot-dip galvanised steel or stainless steel



For more detailed explanation of the quality characteristics see price list.

Steps of stairs made of hardwood, 32 mm

Dimensions

(small deviations possible)

Length 5.85 m
Width 3.40 m

Timber Houses

Height 2.40 / 2.00 m
Height floor 1.00 / 0.60 m

Bridge

Height 0.60 m
Length 3.00 m
Width 1.40 m

Stairs

Width 0.80 m

Weight total 1180 kg

Play value

House combinations with basic furnishings like a table and benches invites to role-playing. It is possible to drive child vehicles onto the ramp and directly in front of the house, and the steps invite sitting. The play houses with their different levels are an incentive for active play.



© Richter Spielgeräte GmbH 06/22

House Group C

Fundamental characteristics

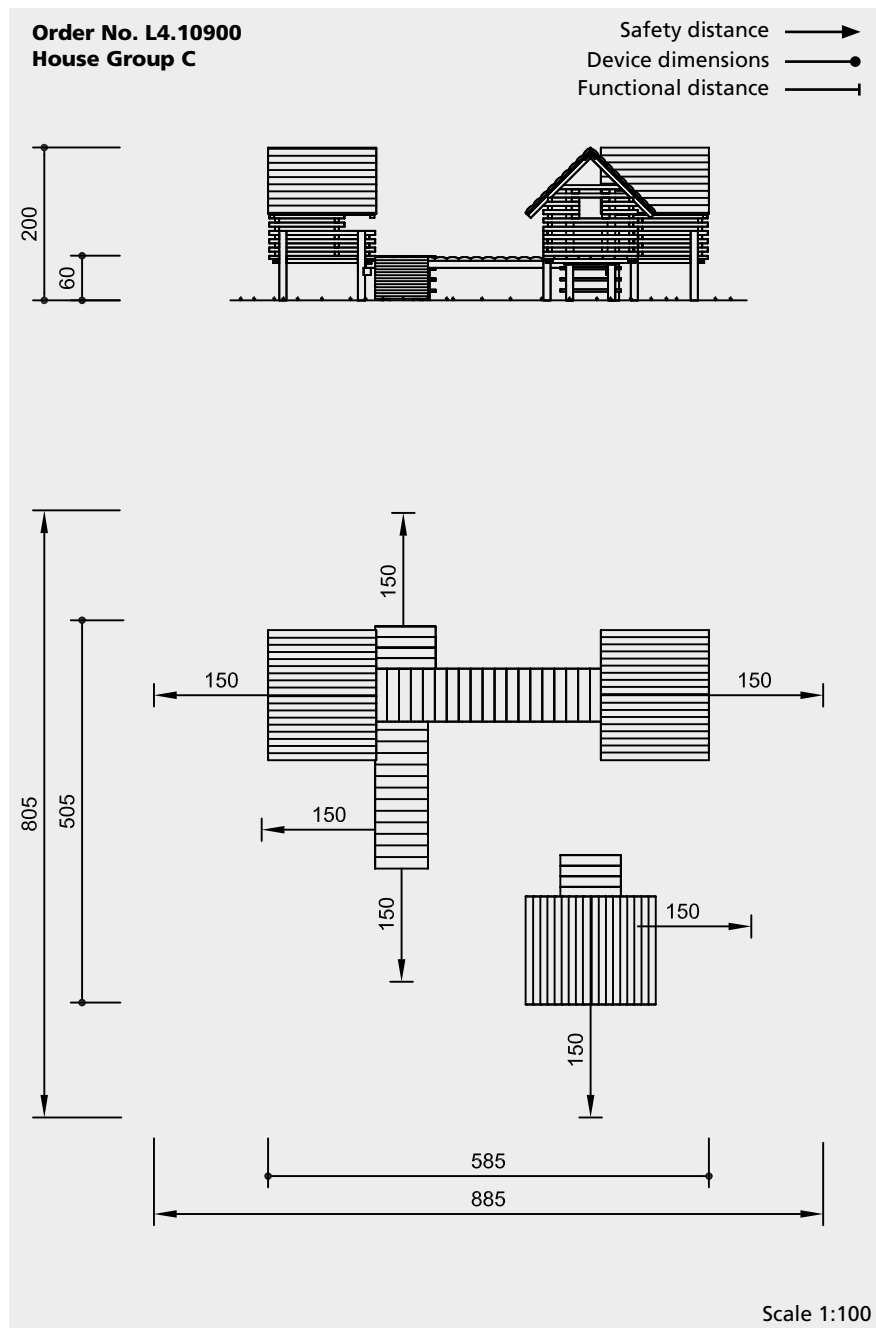
- Child proportions according to ergonomic requirements
- Agreeably designed ensemble for role-playing games
- Appealing design by: arrangement of the houses, sheltering roofs, mixed material forms: claddings / square timber
- Natural wooden surface which appeals to the senses
- Sturdy roof construction
- Incentive for playing: furniture, stairs, ramps
- Movement: crawling, hiding, movement on the ramp

Recommended for

- Kindergarten children
- Supervised play areas, such as kindergartens, schools, after-school programmes or similar
- Public play areas without supervision, such as playgrounds, parks or similar



L4.10900



Safety check according to DIN EN 1176

Components

- 3 Timber houses on stilts with steel feet
- 1 Bridge
- 1 Inclined ramp with foundation irons
- 2 Narrow stairs with foundation irons

Installation information

Surfacing requirements corresponding to a fall height of ≤ 0.60 m (please refer to price list for more detailed information)

Foundations

Timber Houses
12 items 50 x 50 x 40 cm
Excavation depth 60 cm

Ramp
1 item 30 x 50 x 30 cm
Excavation depth 50 cm

Stairs
2 items 30 x 70 x 20 cm
Excavation depth 40 cm

Attention:
Exact measurements may vary;
for all installation dimensions refer
to current assembly instructions.
Technical changes reserved.



L4.10900

Technical information

Equipment made of non-impregnated mountain larch

Core-free
Sawn-timbers core-free, thus decreasing occurrences of cracking and undesired changes in shape



Claddings
Claddings made of mountain larch (4 – 5 cm). Peeled white by hand, natural tree surface remains tangible and perceptible



Ground anchor
All parts used for anchoring to the ground are made of hot-dip galvanised steel or stainless steel



For more detailed explanation of the quality characteristics see price list.

Floors of the houses of 27 mm tongue and groove boards

Steps of hardwood, 32 mm

Dimensions
(small deviations possible)

Length 5.85 m
Width 5.05 m

Timber Houses
Height 2.00 m
Height floor 0.60 m

Bridge
Height 0.60 m
Length 3.00 m
Width 0.70 m

Ramp
Length 2.00 m
Width 0.70 m

Stair
Width 0.80 m

Weight 1150 kg

Play value

This child-friendly village complex is an inviting attraction for every playground. The two small houses offer plenty of space for retreating, hiding and role-playing games and children love using the connecting walkway to visit each other. The small village, built on short stilts, can be climbed using ladders or a climbing net, and a wide slide offers a relaxed return to the ground. A table and two benches on the lower playing level are also inviting for playing or having a snack, and there is also plenty of room for catch and hide and seek.



Photo © Paul Upward



© Richter Spielgeräte GmbH 06/22

House Group 114

Fundamental characteristics

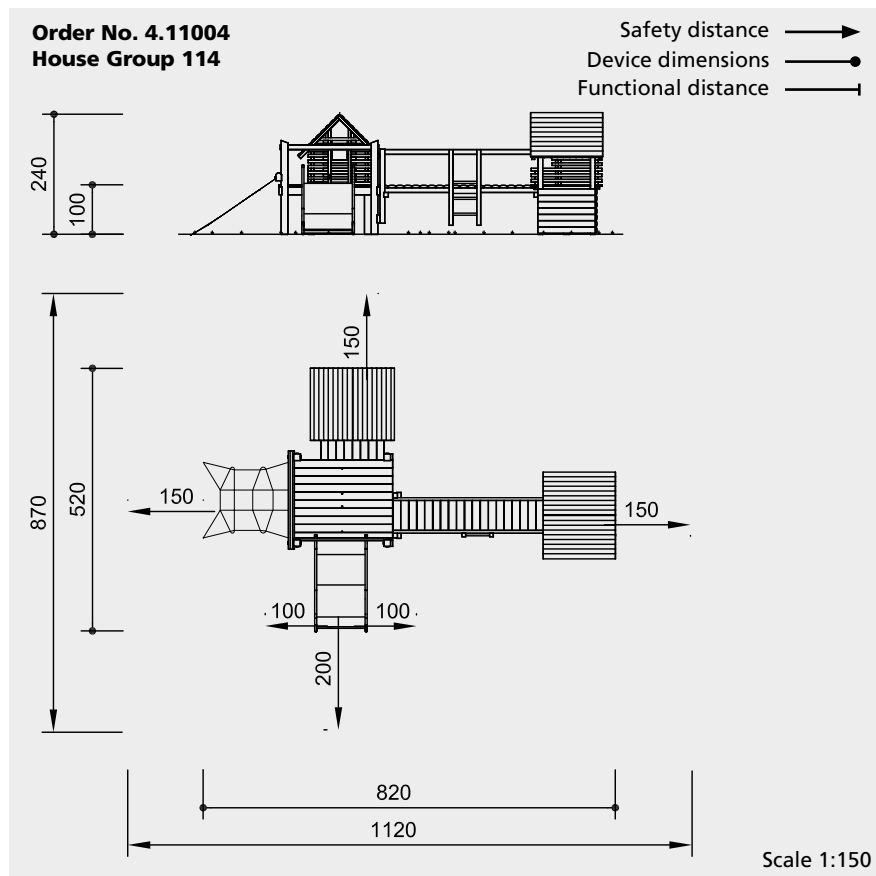
- Child-oriented dimensions according to ergonomic knowledge
- Well-designed compact complex for role-playing games
- Natural wooden surface which appeals to the tactile senses
- Sturdy roof construction
- Incentive for playing: house furniture, stairs, ramps, role-playing game
- Movement: crouching, crawling, hiding, climbing, slide

Recommended for

- Kindergarten children
- Supervised play areas, such as kindergartens, schools, after-school programmes or similar
- Public play areas without supervision, such as playgrounds, parks or similar



4.11004



Safety check according to DIN EN 1176

Components

- 1 Two storey play house,
Order No. L4.10500, components:
 - 1 Timber house on stilts with steel feet
 - 1 Ground-level play room, components:
 - 2 Walls with 2 benches,
 - 1 Round table with steel foot
- 1 Bridge with handrail
- 1 Ladder
- 1 Platform house,
Order No. 4.14904, components:
 - 1 Platform house with steel feet
 - 1 Platform with steel feet
 - 1 Inclined climbing net,
Order No. 3.69140
 - 1 Stainless steel slide with ground anchor,
Order No. 3.63300

Installation information

Surfacing requirements corresponding to a fall height of ≤ 1.00 m (please refer to price list for more detailed information)

Foundations

Timber House on Stilts

4 items 50 x 50 x 40 cm
Excavation depth 60 cm

Table

1 item 40 x 40 x 40 cm
Excavation depth 70 cm

Platform House and Platform

6 items 60 x 60 x 60 cm
Excavation depth 80 cm

Inclined Climbing Net

2 items 50 x 50 x 40 cm
Excavation depth 80 cm

Slide

Excavation depth for ground anchor 55 cm

Attention:

Exact measurements may vary; for all installation dimensions refer to current assembly instructions.

Technical changes reserved.

Technical information

Equipment made of non-impregnated mountain larch

Bevel cut

Vertical stand posts with bevelled end grain section as constructive wood preservation measure



Core-free

Sawn-timbers core-free, thus decreasing occurrences of cracking and undesired changes in shape



Claddings

Claddings made of mountain larch (4 – 5 cm). Peeled white by hand, natural tree surface remains tangible and perceptible



Tongue and groove

Tongue and groove planks made of 4 cm solid wood, highly resilient, no trickling of dust / sand, protection against direct rain



Hardwood rungs

Climbing rungs made of hardwood (ash) $\varnothing 4.2$ cm, milled and mortised, secured against twisting, easy to grip and not cold for children to touch



Richter Hercules type rope

Richter Hercules type rope, a combination of galvanised six-strand steel cables and polyester yarn, diameter > 20 mm, laid and glued with very good abrasion resistance, strong sheathing even in the case of damage by puncturing



Aluminium rope pressing

Aluminium rope pressing, cylindrically pressed, with rounded ends



S-connectors

S-connectors $\varnothing 8.1$ mm, made of high-quality stainless steel, rounded



Ground anchor

All parts used for anchoring to the ground are made of hot-dip galvanised steel or stainless steel



For more detailed explanation of the quality characteristics see price list.

House floors made of 25 mm tongue and groove boards

Slide

Total construction of the slide made of stainless steel, thickness of the sides 2 mm, thickness of sliding surface 2.5 mm

Dimensions

(small deviations possible)

Length 8.20 m
Width 5.20 m
Weight complete approx. 1200 kg

Timber House on Stilts

Height 2.40 m
Height of house floor 1.00 m

Bridge

Height 1.00 m
Length 3.00 m
Width 0.70 m

Platform House

Length 3.85 m
Width 5.25 m

Weight 1370 kg



4.11004

Play value

Our Street Acrobats consist of several small space elements that offer various opportunities for hiding and going through openings. The cosiness of the little niches also provides the children with enough space for fantasy-full role-playing games. The equipment can be accessed via a climbing trunk or a connecting bridge element, and the bent firemen's pole allows a swift getaway to the ground.



© Richter Spielgeräte GmbH 06/22

Fundamental characteristics

- Child-oriented dimensions according to ergonomic knowledge
- The space-defining design appeals to the senses
- High-quality design
- Numerous play offers
- Incentive for playing: cosy rooms, firemen's pole, role-playing game
- Movement: climbing, sliding, balancing

Recommended for

- Kindergarten children
- Supervised play areas, such as kindergartens, schools after-school programmes or similar
- Public play areas without supervision, such as playgrounds, parks or similar

Planning information

Our Street Acrobats can be put together individually. Other variants are possible on request.

**Street Acrobats
Type 01**

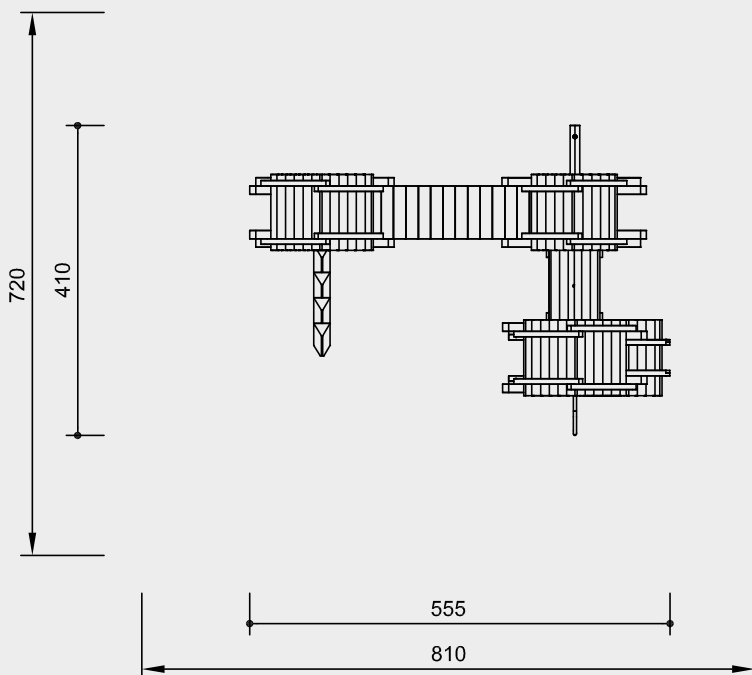
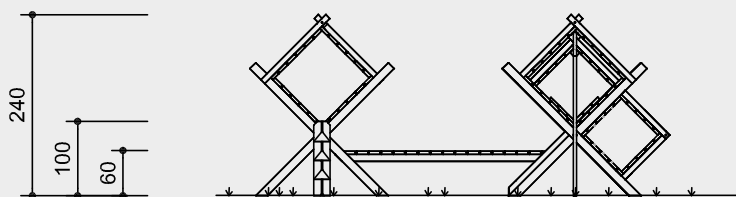


4.16100

Design B. Poth-Lengefeld

Order No. 4.16100
Street Acrobats Type 01

Safety distance 
Device dimensions 
Functional distance 



Scale 1:100

Safety check according to DIN EN 1176

Components

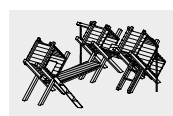
- 3 Cubes with frame with steel feet
- 1 Cube for attachment
- 1 Climbing trunk with steel foot
- 1 Bent firemen's pole
- 1 Climbing rope with beam
- 1 Ravine bridge
- 1 Rigid bridge
- 1 Ladder

Installation information

Surfacing requirements corresponding to a fall height of ≤ 1.00 m (please refer to price list for more detailed information)

Foundations
3 items 120 x 60 x 50 cm
Excavation depth 70 cm
3 items 100 x 60 x 50 cm
Excavation depth 70 cm
2 item 30 x 30 x 40 cm
Excavation depth 60 cm
1 items 40 x 40 x 20 cm
Excavation depth 40 cm

Attention:
Exact measurements may vary; for all installation dimensions refer to current assembly instructions.
Technical changes reserved.



4.16100

Technical information

Equipment made of non-impregnated mountain larch

Core-free

Sawn-timbers core-free, thus decreasing occurrences of cracking and undesired changes in shape



Tongue and groove

Tongue and groove planks made of 4 cm solid wood, highly resilient, no trickling of dust / sand, protection against direct rain



Hardwood rungs

Climbing rungs made of hardwood (ash) \varnothing 4.2 cm, milled and mortised, secured against twisting, easy to grip and not cold for children to touch



Richter Hercules type rope

Richter Hercules type rope, a combination of galvanised six-strand steel cables and polyester yarn, diameter > 20 mm, laid and glued with very good abrasion resistance, strong sheathing even in the case of damage by puncturing



Aluminium rope pressing

Aluminium rope pressing, cylindrically pressed, with rounded ends



Rope connection fixed

Fixed rope connection without dangerous openings. Screw connection adjustable and countersunk in the wood



Profiled washer

Profiled washer for covering protruding screw heads according to standard, improved pressure distribution and protection against water. Impedes loosening the bolt



Adjustable

Adjustable two-piece bolt connection, easy to maintain, no projecting threads



Ground anchor

All parts used for anchoring to the ground are made of hot-dip galvanised steel or stainless steel



Chains

Chains made of hot-dip galvanized steel (1.4301 / 1.4571 at extra charge) welded before galvanising, short-linked, without eyelets on the connecting parts, easy to exchange and shorten



For more detailed explanation of the quality characteristics see price list.

Firemen's pole made of stainless steel, glass-bead blasted

Dimensions

(small deviations possible)

Height	2.40 m
Floor height	1.00 m
Height of bridge	0.60 m
Length	5.55 m
Width	4.10 m
Weight	1400 kg

Play value

Our Street Acrobats consist of several small space elements that offer various opportunities for hiding and going through openings. The cosiness of the little niches also provides the children with enough space for fantasy-full role-playing games. The equipment can be accessed via a climbing trunk or a connecting bridge element, and the bent firemen's pole allows a swift getaway to the ground.



Fundamental characteristics

- Child-oriented dimensions according to ergonomic knowledge
- the space-defining design appeals to the senses
- High-quality design
- Numerous play offers
- incentive for playing: cosy rooms, firemen's pole, role-playing game
- Movement: climbing, sliding, balancing

Recommended for

- Kindergarten children
- Supervised play areas, such as kindergartens, schools after-school programmes or similar
- Public play areas without supervision, such as playgrounds, parks or similar

Planning information

Our Street Acrobats can be put together individually. Other variants are possible on request.

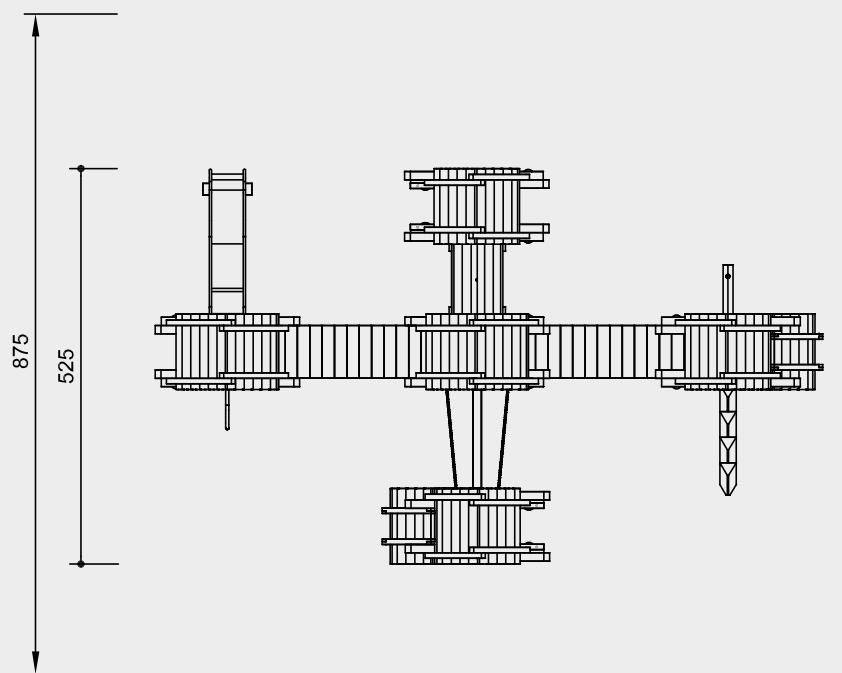
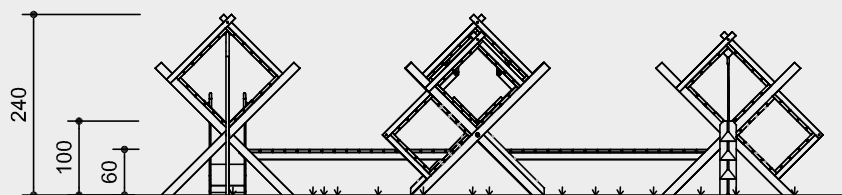
**Street Acrobats
Type 02**



4.16102

Order No. 4.16102
Street Acrobats Type 02

Safety distance →
Device dimensions ●
Functional distance —



Scale 1:100

Safety check according to DIN EN 1176

Components

- 5 Cubes with frame with steel feet
- 2 Cube for attachment
- 1 Climbing trunk with steel foot
- 1 Bent firemen's pole
- 1 Swing rope
- 1 Ravine bridge
- 2 Rigid bridges
- 2 Ladders
- 1 Balancing beam
- 1 Stainless steel slide with seat for Street Acrobats with ground anchor installation height 1.00 m width 0.45 m

Installation information

Surfacing requirements corresponding to a fall height of ≤ 1.00 m (please refer to price list for more detailed information)

- Foundations**
- 5 items 120 x 60 x 50 cm Excavation depth 70 cm
 - 5 items 100 x 60 x 50 cm Excavation depth 70 cm
 - 2 items 30 x 30 x 40 cm Excavation depth 60 cm
 - 1 item 40 x 40 x 20 cm Excavation depth 40 cm

Slide
Excavation depth for ground anchor 55 cm

Attention:
Exact measurements may vary; for all installation dimensions refer to current assembly instructions.
We reserve the right to make technical alterations!



4.16102

Technical information

Equipment made of non-impregnated mountain larch

Core-free

Sawn-timbers core-free, thus decreasing occurrences of cracking and undesired changes in shape



Tongue and groove

Tongue and groove planks made of 4 cm solid wood, highly resilient, no trickling of dust / sand, protection against direct rain



Hardwood rungs

Climbing rungs made of hardwood (ash) Ø 4.2 cm, milled and mortised, secured against twisting, easy to grip and not cold for children to touch



Richter Hercules type rope

Richter Hercules type rope, a combination of galvanised six-strand steel cables and polyester yarn, diameter > 20 mm, laid and glued with very good abrasion resistance, strong sheathing even in the case of damage by puncturing



Aluminium rope pressing

Aluminium rope pressing, cylindrically pressed, with rounded ends



Rope connection fixed

Fixed rope connection without dangerous openings. Screw connection adjustable and countersunk in the wood



Profiled washer

Profiled washer for covering protruding screw heads according to standard, improved pressure distribution and protection against water. Impedes loosening the bolt



Adjustable

Adjustable two-piece bolt connection, easy to maintain, no projecting threads



Ground anchor

All parts used for anchoring to the ground are made of hot-dip galvanised steel or stainless steel



Chains

Chains made of hot-dip galvanized steel (1.4301 / 1.4571 at extra charge) welded before galvanising, short-linked, without eyelets on the connecting parts, easy to exchange and shorten



For more detailed explanation of the quality characteristics see price list.

Firemen's pole made of stainless steel, glass-bead blasted

Slide

Slide made of stainless steel, glass-bead blasted
Handrail tube Ø 42 mm
Thickness of sides 2 mm, thickness of sliding surface 2.5 mm

Dimensions

(small deviations possible)

Height	2.40 m
Floor height	1.00 m
Height of bridge	0.60 m
Length	8.85 m
Width	5.25 m

Play value

The Bow Bridge contributes in a special way to the design of a play area with its appealing appearance particularly if used for its original purpose. The steps are suspended from a chain net at four points where the horizontal chains harmonise the movement of the tread boards. Walking on the steps is a new fun feeling especially in chasing games or swaying in the heights.



Photo © Tristan Filippone, Special version for people with wheelchair

Bow Bridge

Fundamental characteristics

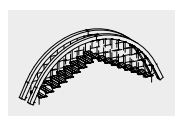
- Appealing design
unique and original
- Incentive for playing: big bows,
curiosity
- Movement: balancing, swinging,
holding on to

Recommended for

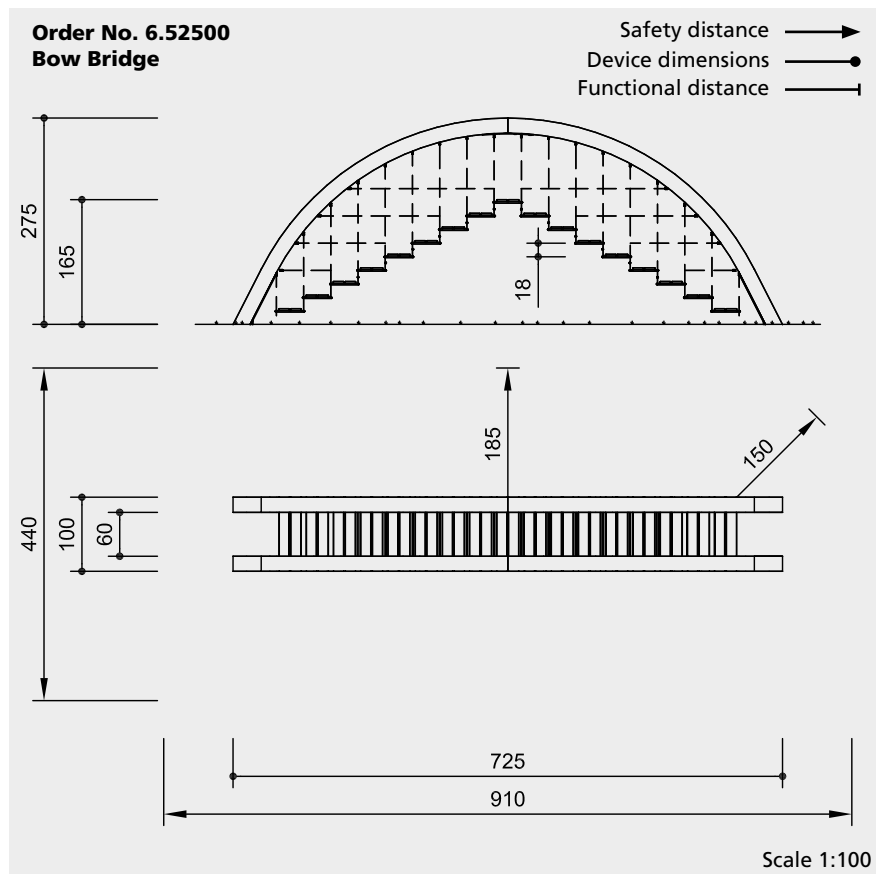
- School children
- Public play areas without supervision,
such as playgrounds, parks or similar

© Richter Spielgeräte GmbH 06/22

Design S. Kessler



6.52500



Safety check according to DIN EN 1176

Components

- 2 Two-part laminated arches
span = 6.90 m
- 17 Steps of hardwood
suspended on hot-dip galvanised
chains

Installation information

Surfacing requirements
corresponding to a fall height of ≤ 2.00 m
(please refer to price list for more
detailed information)

Foundations
2 items 100 x 200 x 70 cm
Excavation depth 90 cm

Attention:
Exact measurements may vary;
for all installation dimensions refer
to current assembly instructions.
Technical changes reserved.

Technical information

Equipment made of non-impregnated
mountain larch

Core-free
Sawn-timbers core-free, thus decreasing
occurrences of cracking and undesired
changes in shape



Laminated wood beams
Laminated wood beams made of
non-impregnated larch, glued according
to EN 14080:2013; for very large timber
cross-sections; comparatively low shrink-
age, almost completely free of cracks



Ground anchor
All parts used for anchoring to the
ground are made of hot-dip galvanised
steel or stainless steel



Chains
Chains made of hot-dip galvanized
steel (1.4301 / 1.4571 at extra charge)
welded before galvanising, short-linked,
without eyelets on the connecting parts,
easy to exchange and shorten



**For more detailed explanation of the
quality characteristics see price list.**

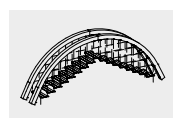
Steps made of oak

All chain connections screw-fastened
without eyelets

Fittings hot-dip galvanised

Dimensions
(small deviations possible)

Height	2.75 m
Length	7.25 m
Width	1.00 m
Weight	700 kg



6.52500

Play value

Suspension bridges have the effect of large scale. The dynamic swing and the apparently fragile construction have great appeal in addition to their design quality. Such bridges are seldom left out of play activity and adults go out of their way on walks to try them out.



Special version



© Richter Spielgeräte GmbH 06/22

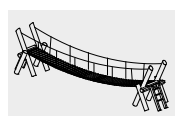
Big Suspension Bridge

Fundamental characteristics

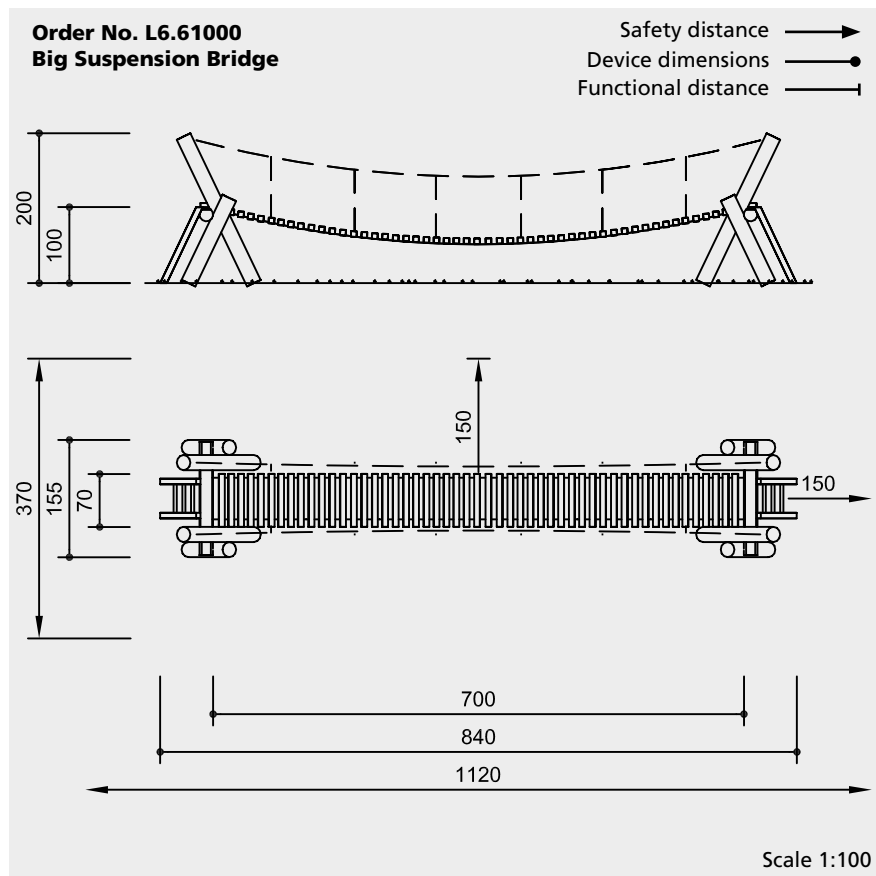
- Unique and original
- Appealing construction, also for adults
- Incentive for playing: swinging, curiosity
- Movement: walking, wobbling, jumping

Recommended for

- School children
- Young people
- Supervised play areas, such as kindergartens, schools, after-school programmes or similar
- Public play areas without supervision, such as playgrounds, parks or similar



L6.61000



Safety check according to DIN EN 1176

Components

- 2 End frames with steel feet and ladders
- 1 Walkway with chain handrails

Installation information

Surfacing requirements corresponding to fall height, dependent on installation situation (please refer to price list for more detailed information)

Foundations
4 items 220 x 60 x 80 cm, u-shaped
Excavation depth 100 cm

Attention:
Exact measurements may vary;
for all installation dimensions refer
to current assembly instructions.
Technical changes reserved.

Technical information

Equipment made of non-impregnated mountain larch

Peeled white

Palisades peeled white means that bark, cambium and sapwood are removed, the natural shape of the trunk is preserved and can be experienced



Core-free

Sawn-timbers core-free, thus decreasing occurrences of cracking and undesired changes in shape



Hardwood rungs

Climbing rungs made of hardwood (ash) Ø 4.2 cm, milled and mortised, secured against twisting, easy to grip and not cold for children to touch



Profiled washer

Profiled washer for covering protruding screw heads according to standard, improved pressure distribution and protection against water. Impedes loosening the bolt



Adjustable

Adjustable two-piece bolt connection, easy to maintain, no projecting threads



Interlocking

Interlocking connection, with milled metal rings or serrated disc dowels, to reinforce the bolt connection under high loads transverse to the grain direction of the wood



Ground anchor

All parts used for anchoring to the ground are made of hot-dip galvanised steel or stainless steel



Stainless Chains

Chains made of steel with high corrosion resistance. Short-linked, without eyelets on the connecting parts, easily replaceable and simple shortening



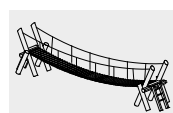
For more detailed explanation of the quality characteristics see price list.

Dimensions

(small deviations possible)

Outside dimension	8.40 m
Walkway length	7.00 m
Walkway width	0.70 m
Walking boards	75 x 75 mm
Platform height	1.00 m
Weight	600 kg

Special lengths on request



L6.61000

Play value

This impressive suspension bridge with its filigree guy ropes is a special design element for large leisure parks. The attractive access gates with their sparkling tips are eye-catchers, which can be seen from afar. These two pylons carry the whole construction. The walking boards of the bridge are suspended in such a way that the system slightly vibrates under load. The bridge is horizontally suspended without any sag over the entire distance. This enables it to be used by vehicles such as children's vehicles, wheelchairs, and bicycles.



Photo © Daniel Perales, Special version



Special version



Suspension Bridge for Wheelchair Users

Fundamental characteristics

- Unique and original
- The construction allows for a span of up to 18 m
- Wide space for walking and driving

Recommended for

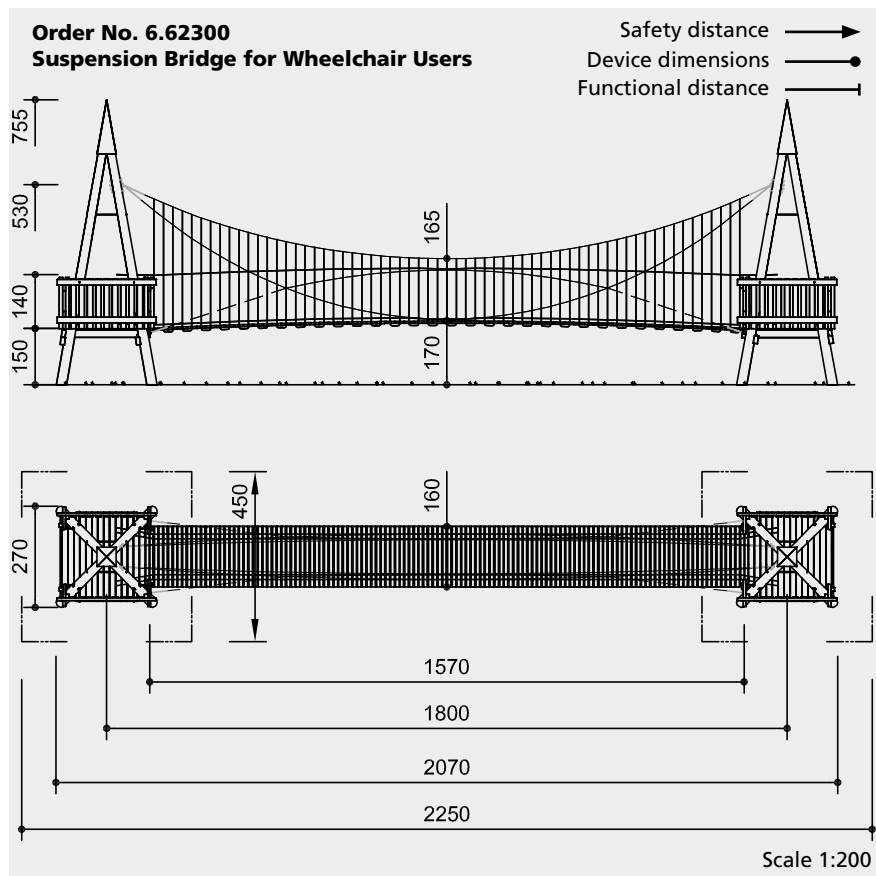
- All ages
- Public play areas without supervision, such as playgrounds, parks or similar
- Swimming pools without supervision, such as outdoor pools, adventure pools or similar
- Leisure parks

Barrier-free

- Special exercise experience



6.62300



Safety check according to DIN EN 1176

Components

- 2 Pylons with platforms and 8 Steel feet
- 1 Complete suspension bridge

Access components are not included in delivery.

Installation information

Surfacing requirements corresponding to fall height, dependent on installation situation (please refer to price list for more detailed information)

Foundations depend on the installation conditions

Attention:
Exact measurements may vary; for all installation dimensions refer to current assembly instructions.
 Technical changes reserved.

Planning information

Access components must be designed according to on-site conditions and are not included in delivery.

Technical information

Equipment made of non-impregnated mountain larch

Peeled white

Palisades peeled white means that bark, cambium and sapwood are removed, the natural shape of the trunk is preserved and can be experienced



Core-free

Sawn-timbers core-free, thus decreasing occurrences of cracking and undesired changes in shape



Tongue and groove

Tongue and groove planks made of 4 cm solid wood, highly resilient, no trickling of dust / sand, protection against direct rain



Richter Hercules type rope

Richter Hercules type rope, a combination of galvanised six-strand steel cables and polyester yarn, diameter > 20 mm, laid and glued with very good abrasion resistance, strong sheathing even in the case of damage by puncturing



Aluminium rope pressing

Aluminium rope pressing, cylindrically pressed, with rounded ends



S-connectors

S-connectors Ø 8.1 mm, made of high-quality stainless steel, rounded



Profiled washer

Profiled washer for covering protruding screw heads according to standard, improved pressure distribution and protection against water. Impedes loosening the bolt



Adjustable

Adjustable two-piece bolt connection, easy to maintain, no projecting threads



Ground anchor

All parts used for anchoring to the ground are made of hot-dip galvanised steel or stainless steel



For more detailed explanation of the quality characteristics see price list.

Tips made of stainless steel, glass-bead blasted

Fittings made of stainless steel or hot-dip galvanised

Turnbuckles electro-galvanised

Dimensions

(small deviations possible)

Suspension Bridge	
Length	18.00 m
Length walk way	15.70 m
Width	1.20 m
Pylons	
Height	7.55 m
Platform height	1.50 m



6.62300

Animals and vehicles

P. 165 - 216

Play value

The likeable appeal of the animals plays a role in creating a play environment which is favourable for small children. They are mainly used to ride upon. A slight rocking motion can be created by a shift in weight.



Order No. 4.08100 Little Chicken, Photo © Daniel Perales



Order No.4.08110 Little Fish, Photo © Daniel Perales



Order No. 4.08100 Little Chicken

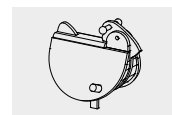
Fundamental characteristics

- Child-oriented dimensions
- Friendly appearance
- Natural wooden surface which appeals to the senses
- Coloured design
- Movement: climbing, riding

Recommended for

- Children under 3 years
- Kindergarten children
- Supervised play areas, such as kindergartens, schools, after-school programmes or similar
- Public play areas without supervision, such as playgrounds, parks or similar

**Little Chicken
Little Fish**



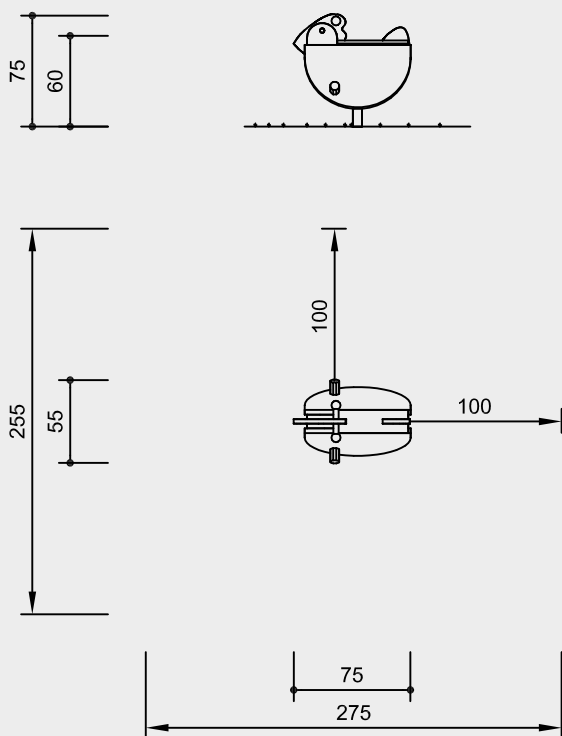
4.08100



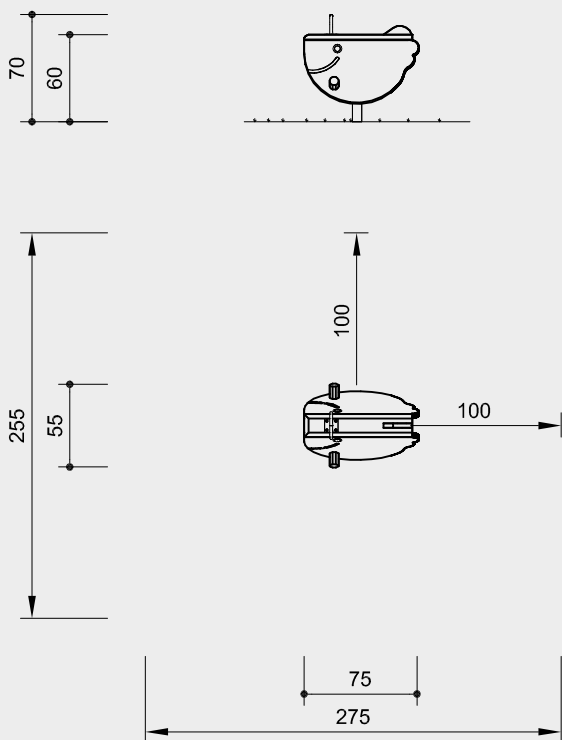
4.08110

Order No. 4.08100
Little Chicken

Safety distance →
Device dimensions —●—
Functional distance —|—

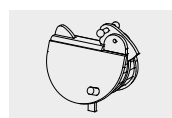


Order No. 4.08110
Little Fish

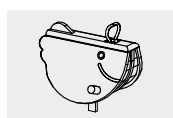


Scale 1:50

Safety check according to DIN EN 1176



4.08100



4.08110

Technical information

Equipment made of non-impregnated mountain larch

Core-free

Sawn-timbers core-free, thus decreasing occurrences of cracking and undesired changes in shape



Plywood

Plywood made of mountain larch, three-layer (3 cm) or five-layer (4 cm). High dimensional stability, waterproof, glued according to DIN EN 13353:2011



Sintered bush

For all reciprocating movements we use sintered plain bearings which are self-lubricating in use and can easily be exchanged if necessary



For more detailed explanation of the quality characteristics see price list.

See-saw mechanism hot-dip galvanised

Colour

Solvent-free acrylic paints are used for colouring; the wood is painted in a way which allows the structure of the wood to remain clearly visible

Dimensions

(small deviations possible)

Order No. 4.08100 Little Chicken

Height	0.75 m
Seat height	0.60 m
Length	0.75 m
Width	0.55 m
Weight	140 kg

Order No. 4.08110 Little Fish

Height	0.70 m
Seat height	0.60 m
Length	0.75 m
Width	0.55 m
Weight	140 kg

Components

Order No. 4.08100 / 4.08110

- 1 Animal body, mounted on hot-dip galvanised see-saw mechanism
- 1 Pre-fabricated concrete foundation

Installation information

Surfacing requirements as for critical fall height ≤ 1.00 m (please refer to price list for more detailed information)

Foundations
Excavation for pre-fabricated foundation 45 x 95 x 20 cm

Recommendation

When installed in loose ground, the pre-fabricated concrete foundation should be covered durably, e.g. with safety tiles.

Attention:

Exact measurements may vary; for all installation dimensions refer to current assembly instructions.

Technical changes reserved.

Play value

The attractive appearance of the Big Fish, which is just rising out of the water, gives this play equipment its stimulative nature. The children can conquer the platform via a wide ramp or stairs and can explore their surroundings through big "portholes". They can also enjoy sliding fun together on the wide slide. The tummy of the fish under the platform can also be used as a hidey-hole or a little house.



Order No. 4.08304 Big Fish with Slide and Ramp



Order No. 4.08301 Big Fish with Slide and Stairs



Order No. 4.08301 Big Fish with Slide and Stairs. The photos show a deviating wave.

Fundamental characteristics

- Friendly appearance
- Appealing design
- Coloured elements, eye-catcher
- Wide slide for sliding together
- Hidey-hole area
- Peepholes

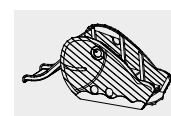
Recommended for

- Kindergarten children
- Supervised play areas, such as kindergartens, schools, after-school programmes or similar
- Public play areas without supervision, such as playgrounds, parks or similar

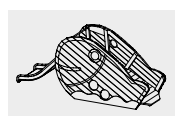
Big Fish with Slide and Stairs
Big Fish with Slide and Ramp

© Richter Spielgeräte GmbH 06/22

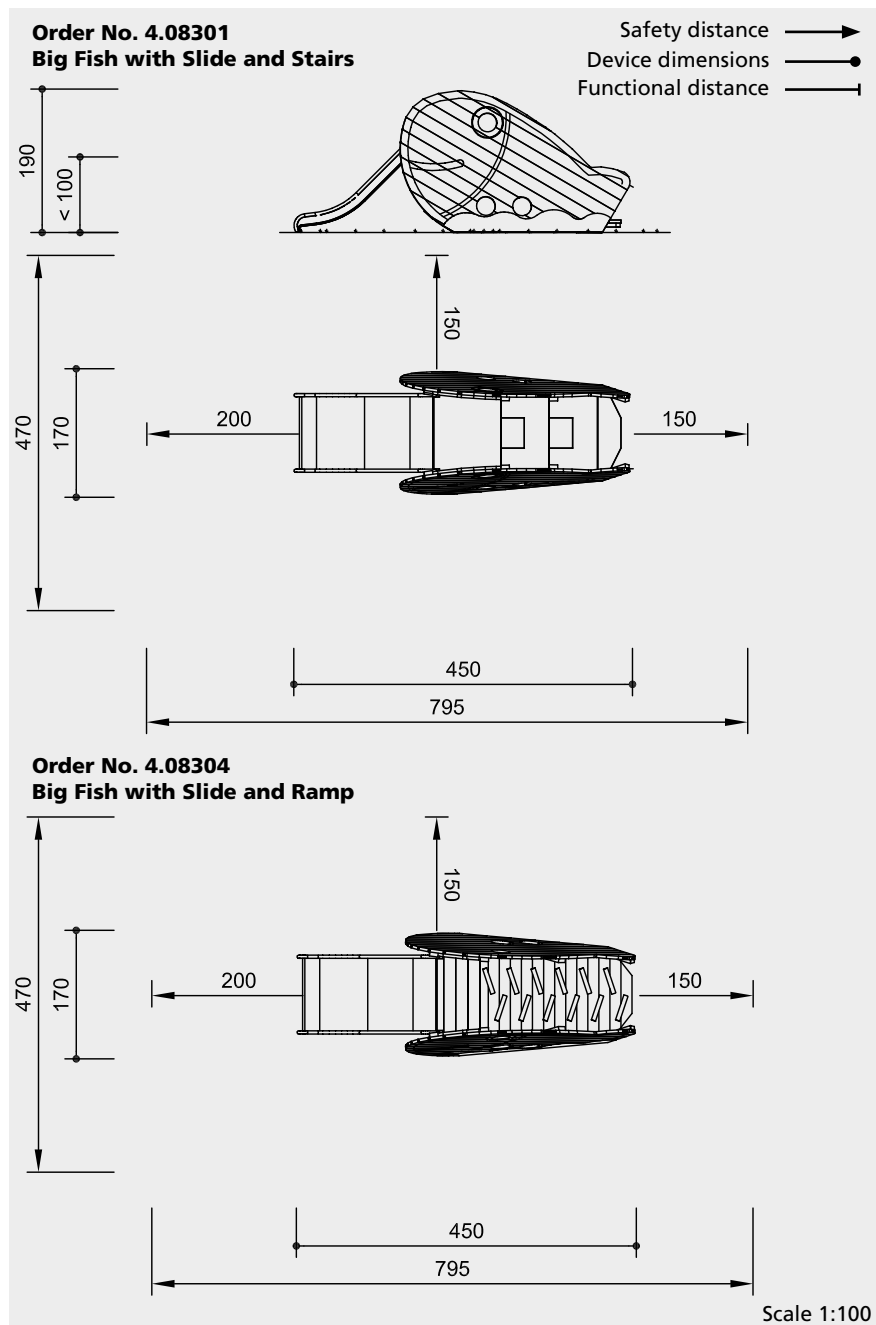
Design F. Dorband / K. H. Thiele



4.08301



4.08304



Safety check according to DIN EN 1176

Components

- Order No. 4.08301**
Big Fish with Slide and Stairs
- 2 Side parts in the shape of a fish
 - 1 Platform with ladder access
 - 1 Stainless steel slide with ground anchor,
Order No. 3.63300

- Order No. 4.08304**
Big Fish with Slide and Ramp
- 2 Side parts in the shape of a fish
 - 1 Ramp access with climbing aids
 - 1 Platform
 - 1 Stainless steel slide with ground anchor,
Order No. 3.63300

Installation information

Surfacing requirements corresponding to a fall height of ≤ 1.00 m (please refer to price list for more detailed information)

Foundations
4 items 40 x 40 x 40 cm
Excavation 60 cm

Slide
Excavation depth for ground anchor 55 cm

Attention:
Exact measurements may vary; for all installation dimensions refer to current assembly instructions.
Technical changes reserved.

Technical information

Equipment made of non-impregnated mountain larch

Core-free
Sawn-timbers core-free, thus decreasing occurrences of cracking and undesired changes in shape



Tongue and groove
Tongue and groove planks made of 4 cm solid wood, highly resilient, no trickling of dust / sand, protection against direct rain



Ground anchor
All parts used for anchoring to the ground are made of hot-dip galvanised steel or stainless steel



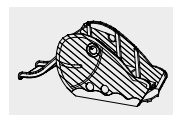
For more detailed explanation of the quality characteristics see price list.

Slide
Total construction made of stainless steel, thickness of the sides 2 mm, thickness of sliding surface 2.5 mm, slide walls glass bead blasted

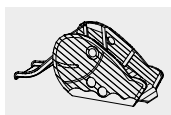
Colour
Solvent-free acrylic paints are used for colouring; the wood is painted in a way which allows the structure of the wood to remain clearly visible

Dimensions
(small deviations possible)

Height	1.90 m
Length	4.50 m
Width	1.70 m
Weight	360 - 380 kg



4.08301



4.08304



Play value

The small striped fish is a delightful playing area for small children. The friendly charisma of the figure is enhanced by the warm colours. There are different ways to climb up onto the triangular platform. The ramp has a smooth surface with lengths of wood set into it which serve as a crawling aid. There is a small sliding surface. The platform can also be reached via steps.

Fundamental characteristics

- Agreeable formal look-and-feel
- Design which arouses interest
- Seating platform with shade wall
- Climbing variation with crawling aids
- Stainless steel incline

Recommended for

- Children under 3 years
- Kindergarten children
- Supervised play areas, such as kindergartens, schools, after-school programmes or similar
- Public play areas without supervision, such as playgrounds, parks or similar

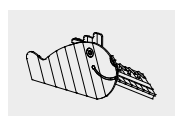


**Small Fish
with Stainless Steel Incline and Staircase**




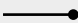
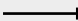
© Richter Spielgeräte GmbH 06/22

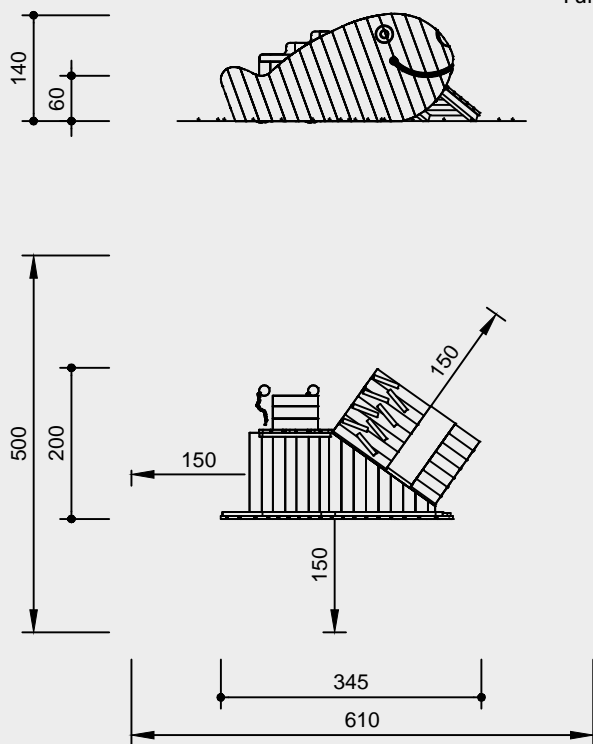
Design F. Dorband / K. H. Thiele



4.08501

Order No. 4.08501
Small Fish

Safety distance 
Device dimensions 
Functional distance 



Scale 1:100

Safety check according to DIN EN 1176

Components

- 1 Side part in the shape of a fish with staircase and pedestal
- 1 Ramp with stainless steel incline and climbing aids
- 1 Table
- 2 Shovels with chain
- 6 Foundation irons

Installation information

Surfacing requirements corresponding to a fall height of ≤ 0.60 m

Recommendation: shock absorbing surfacing (please refer to price list for more detailed information)

Foundations
6 items 30 x 30 x 30 cm
Excavation depth 50 cm

Attention:
Exact measurements may vary; for all installation dimensions refer to current assembly instructions.
Technical changes reserved.

Technical information

Equipment made of non-impregnated mountain larch

Core-free

Sawn-timbers core-free, thus decreasing occurrences of cracking and undesired changes in shape



Tongue and groove

Tongue and groove planks made of 4 cm solid wood, highly resilient, no trickling of dust / sand, protection against direct rain



Ground anchor

All parts used for anchoring to the ground are made of hot-dip galvanised steel or stainless steel



For more detailed explanation of the quality characteristics see price list.

Stainless steel slide surface

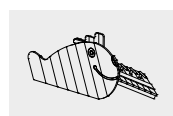
Colour

Solvent-free acrylic paints are used for colouring; the wood is painted in a way which allows the structure of the wood to remain clearly visible

Dimensions

(small deviations possible)

Height	1.40 m
Length	3.45 m
Width	2.00 m
Weight	330 kg



4.08501

Play value

The two lovingly designed small fish are an attractive meeting point for small children. The platform can be conquered by different ways and means. Steps, a ramp with or without climbing aids, and a sliding surface all entice the children to play. With a height of 60 cm, the platform is also the perfect place to practice those first jumps. The fish are playthings with the power to charm.



Technical change at the posts

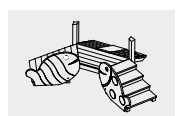
Fundamental characteristics

- Lovingly designed
- Platform for versatile playing
- Practice object for crawling, running, jumping, rolling and climbing steps
- Stainless steel incline

Recommended for

- Children under 3 years
- Kindergarten children
- Supervised play areas, such as kindergartens, schools, after-school programmes or similar
- Public play areas without supervision, such as playgrounds, parks or similar

Small Fish with Stainless Steel Incline, Ramp and Staircase



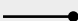
4.08502

Order No. 4.08502

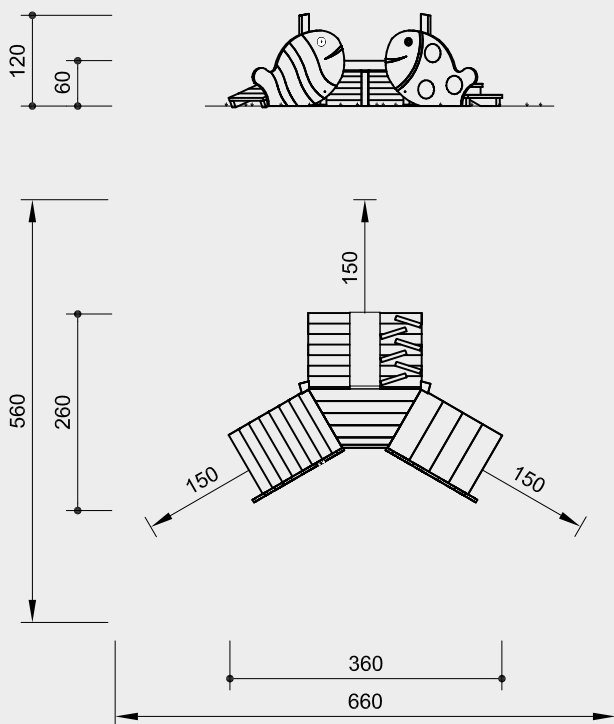
Small Fish

with Stainless Steel Incline, Ramp and Staircase

Safety distance 

Device dimensions 

Functional distance 



Safety check according to DIN EN 1176

Components

- 1 Pedestal
- 1 Staircase
- 1 Ramp
- 1 Ramp with stainless steel incline
- 2 Side parts in the shape of a fish
- 2 Stand posts with steel feet
- 8 Foundation irons

Installation information

Surfacing requirements corresponding to a fall height of ≤ 0.60 m (please refer to price list for more detailed information)

Foundations
 8 items 30 x 30 x 30 cm
 Excavation depth 50 cm
 2 items 50 x 50 x 40 cm
 Excavation depth 60 cm

Attention:
Exact measurements may vary;
for all installation dimensions refer
to current assembly instructions.
 Technical changes reserved.

Technical information

Equipment made of non-impregnated mountain larch

Bevel cut

Vertical stand posts with bevelled end grain section as constructive wood preservation measure



Core-free

Sawn-timbers core-free, thus decreasing occurrences of cracking and undesired changes in shape



Tongue and groove

Tongue and groove planks made of 4 cm solid wood, highly resilient, no trickling of dust / sand, protection against direct rain



Plywood

Plywood made of mountain larch, three-layer (3 cm) or five-layer (4 cm). High dimensional stability, waterproof, glued according to DIN EN 13353:2011



Ground anchor

All parts used for anchoring to the ground are made of hot-dip galvanised steel or stainless steel



For more detailed explanation of the quality characteristics see price list.

Stainless steel slide surface

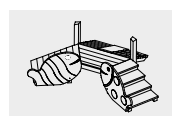
Colour

Solvent-free acrylic paints are used for colouring; the wood is painted in a way which allows the structure of the wood to remain clearly visible

Dimensions

(small deviations possible)

Height	1.20 m
Length	3.60 m
Width	2.60 m
Weight	390 kg



4.08502



Play value

The Small Fish with the peepholes is a playing house which lends a special character to the playground. Its appearance and attractive decorative paintwork make it a popular point for small children. The roof surface, which is open on both sides, has appealing peepholes set into it. The inside space is a meeting point as well as an area for play activities. Children can hide inside the tummy of the fish, keep a lookout or make themselves comfortable, just as if they were in a little house.

Fundamental characteristics

- Attractive forms and colours
- Friendly fish as meeting point
- Playing house with peepholes
- Child-oriented dimensions
- Incentive for playing: role-playing games, hide and seek

Recommended for

- Children under 3 years
- Kindergarten children
- Supervised play areas, such as kindergartens, schools, after-school programmes or similar
- Public play areas without supervision, such as playgrounds, parks or similar

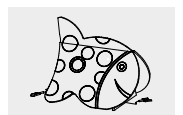


Small Fish with Peepholes, Floor and Bench




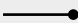
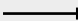
© Richter Spielgeräte GmbH 06/22

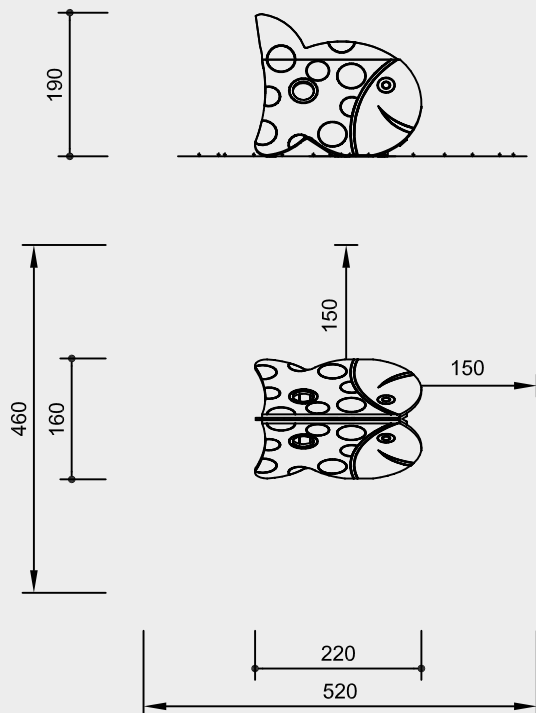
Design F. Dorband / K. H. Thiele



4.08503

Order No. 4.08503
Small Fish
with Peepholes, Floor and Bench

Safety distance 
 Device dimensions 
 Functional distance 



Scale 1:100

Safety check according to DIN EN 1176

Components

- 1 Fish with floor and bench
- 2 Shovels with chain
- 4 Foundation irons

Installation information

Surfacing requirements corresponding to a fall height of ≤ 0.60 m (please refer to price list for more detailed information)

Foundations
 4 items 40 x 40 x 40 cm
 Excavation depth 60 cm

Attention:
Exact measurements may vary;
for all installation dimensions refer
to current assembly instructions.
 Technical changes reserved.

Technical information

Equipment made of non-impregnated mountain larch

Core-free
 Sawn-timbers core-free, thus decreasing occurrences of cracking and undesired changes in shape



Tongue and groove
 Tongue and groove planks made of 4 cm solid wood, highly resilient, no trickling of dust / sand, protection against direct rain



Plywood
 Plywood made of mountain larch, three-layer (3 cm) or five-layer (4 cm). High dimensional stability, waterproof, glued according to DIN EN 13353:2011



Ground anchor
 All parts used for anchoring to the ground are made of hot-dip galvanised steel or stainless steel



For more detailed explanation of the quality characteristics see price list.

Colour
 Solvent-free acrylic paints are used for colouring; the wood is painted in a way which allows the structure of the wood to remain clearly visible

Dimensions
 (small deviations possible)

Height	1.90 m
Length	2.20 m
Width	1.60 m
Weight	270 kg



4.08503

Play value

The child-friendly design of this vehicle immediately invites children to play. The Little Speedster is used for the first driving attempts. The simple shapes are comfortable to hold onto and make it easy to climb in and out and move the steering wheel.



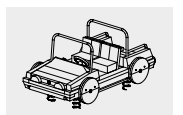
Fundamental characteristics

- Friendly appearance
- Child-oriented dimensions
- Emotionally appealing design
- Natural wooden surfaces that appeal to tactile senses
- Incentive for playing: role-playing games
- Movement: climbing, groping one's way along

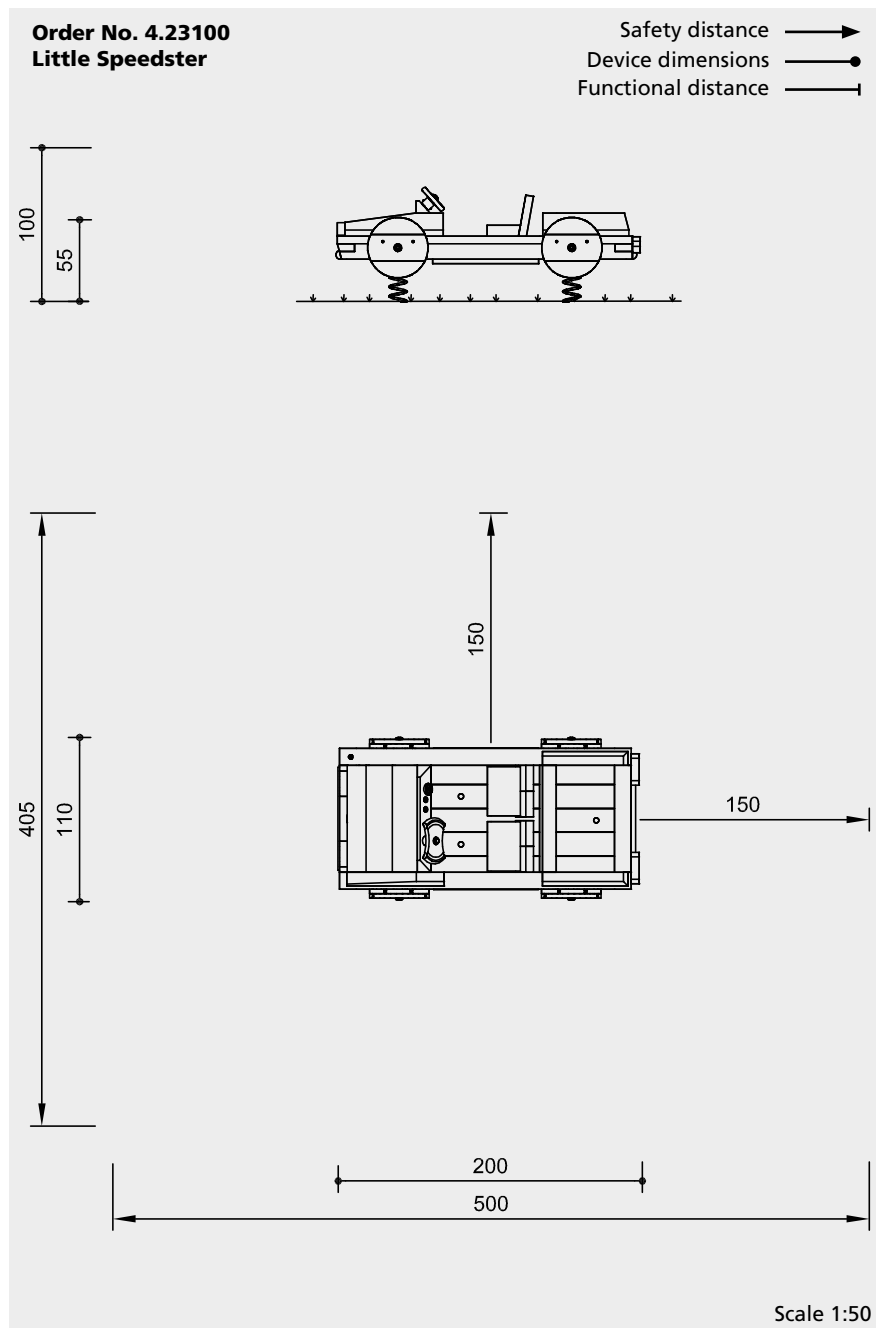
Recommended for

- Children under 3 years
- Kindergarten children
- Supervised play areas, such as kindergartens, schools, after-school programmes or similar
- Public play areas without supervision, such as playgrounds, parks or similar
- Private play areas without supervision, such as camp sites or similar

Little Speedster



4.23100



Safety check according to DIN EN 1176

Components

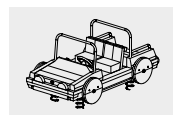
- 1 Little Speedster
- 2 Axles with springs and Foundation Anchors

Installation information

Surfacing requirements corresponding to a fall height of ≤ 0.60 m (please refer to price list for more detailed information)

Foundations
2 items 40 x 90 x 25 cm
Excavation depth 30 cm

Attention:
Exact measurements may vary;
for all installation dimensions refer
to current assembly instructions.
Technical changes reserved.



4.23100

Technical information

Equipment made of non-impregnated mountain larch

Core-free

Sawn-timbers core-free, thus decreasing occurrences of cracking and undesired changes in shape



Tongue and groove

Tongue and groove planks made of 4 cm solid wood, highly resilient, no trickling of dust / sand, protection against direct rain



Plywood

Plywood made of mountain larch, three-layer (3 cm) or five-layer (4 cm). High dimensional stability, waterproof, glued according to DIN EN 13353:2011



Profiled washer

Profiled washer for covering protruding screw heads according to standard, improved pressure distribution and protection against water. Impedes loosening the bolt



Ground anchor

All parts used for anchoring to the ground are made of hot-dip galvanised steel or stainless steel



For more detailed explanation of the quality characteristics see price list.

Powder coated springs,
Standard colour: red

Stainless steel roll bar

Dimensions

(small deviations possible)

Height	1.00 m
Length	2.00 m
Width	1.10 m
Weight	350 kg



Photo © Phil Wilkinson

Play value

The wooden Tractor with trailer is very attractive to young children because of its friendly material. It enables children to practice simple movements and role-play.

Fundamental characteristics

- Child proportions according to ergonomic requirements
- Appealing design
- Natural wooden surface which appeals to the senses
- Incentive for playing: rotating steering wheel, seat, trailer
- Movement: climbing up, holding on
- Experiences: wood in its natural form with year rings, cracks etc.

Recommended for

- Kindergarten children
- School children
- Supervised play areas, such as kindergartens, schools, after-school programmes or similar
- Public play areas without supervision, such as playgrounds, parks or similar
- Private play areas without supervision, such as camp sites or similar

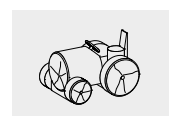


Order No. 4.24000 Tractor with Order No. 4.24010 Trailer for Tractor, Photo © Phil Wilkinson

**Tractor
Trailer for Tractor**



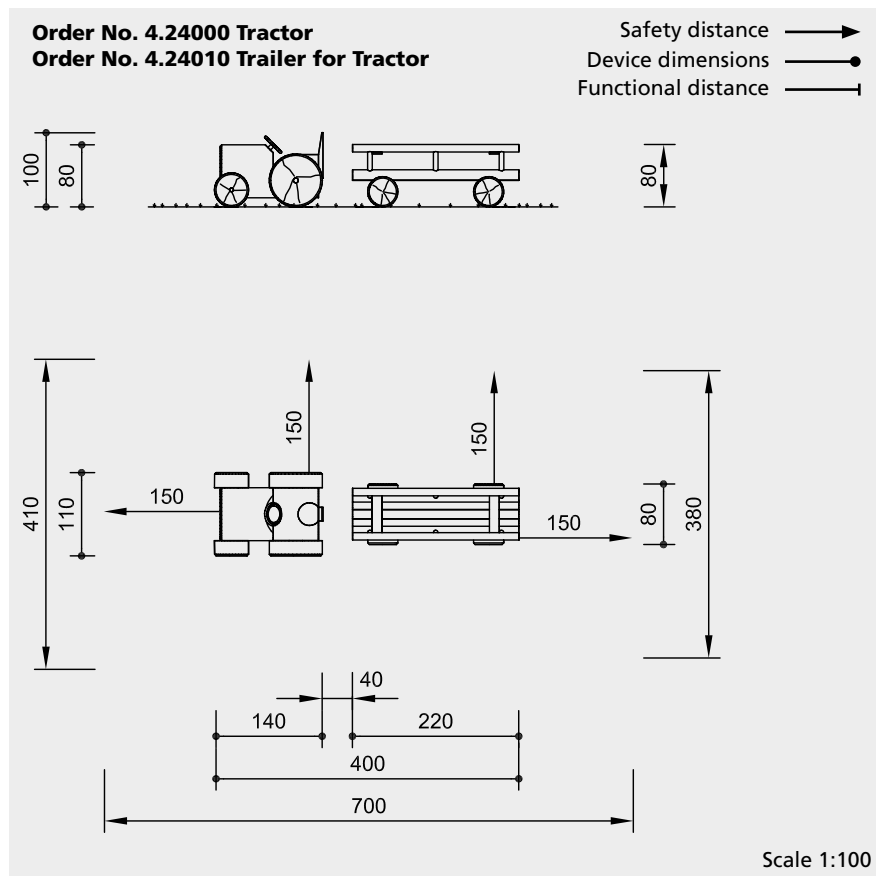
Order No. 4.24010 Trailer for Tractor



4.24000



4.24010



Safety check according to DIN EN 1176

Components

Order No. 4.24000 Tractor

- 1 Tractor
- 2 Foundation irons

Order No. 4.24010 Trailer for Tractor

- 1 Trailer
- 2 Foundation irons

Installation information

Surfacing requirements corresponding to a fall height ≤ 1.00 m (please refer to price list for more detailed information)

Foundations (only necessary to immobilise the equipment)
 2 items each 30 x 30 x 30 cm
 Excavation depth 50 cm

Attention:
Exact measurements may vary; for all installation dimensions refer to current assembly instructions.
 Technical changes reserved.

Technical information

Equipment made of non-impregnated mountain larch

Peeled white

Palisades peeled white means that bark, cambium and sapwood are removed, the natural shape of the trunk is preserved and can be experienced



Core-free

Sawn-timbers core-free, thus decreasing occurrences of cracking and undesired changes in shape



Claddings

Claddings made of mountain larch (4 – 5 cm). Peeled white by hand, natural tree surface remains tangible and perceptible



Ground anchor

All parts used for anchoring to the ground are made of hot-dip galvanised steel or stainless steel



Relief cut

Targeted relief cut as an effective measure against cracks caused by drying. The cut defines the position of the stress equalization in the trunk and minimises natural cracking



For more detailed explanation of the quality characteristics see price list.

Dimensions

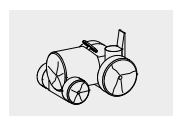
(small deviations possible)

Order No. 4.24000 Tractor

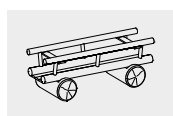
Height	1.00 m
Length	1.40 m
Width	1.10 m
Weight	350 kg

Order No. 4.24010 Trailer for Tractor

Height	0.80 m
Length	2.20 m
Width	0.80 m
Weight	190 kg



4.24000



4.24010



Play value

The Small Tractor is a smaller version of our Tractor. Its appealing appearance makes it very attractive to small children. It is very suitable for simple exercise movements and role-play games.

Photo © Daniel Perales



Photo © Daniel Perales

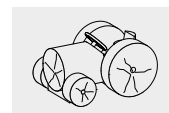
Fundamental characteristics

- Child-oriented dimensions
- An emotionally appealing design due to the chunky shape
- Natural wooden surface which appeals to the senses
- Incentive for playing: rotating steering wheel, seat
- Movement: climbing up, touch it all the way along
- Experience: wood in its natural form with year rings, branches, cracks etc.

Recommended for

- Children under 3 years
- Kindergarten children
- Supervised play areas, such as kindergartens, schools, after-school programmes or similar
- Public play areas without supervision, such as playgrounds, parks or similar

**Small Tractor
Trailer for Small Tractor**


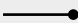
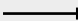


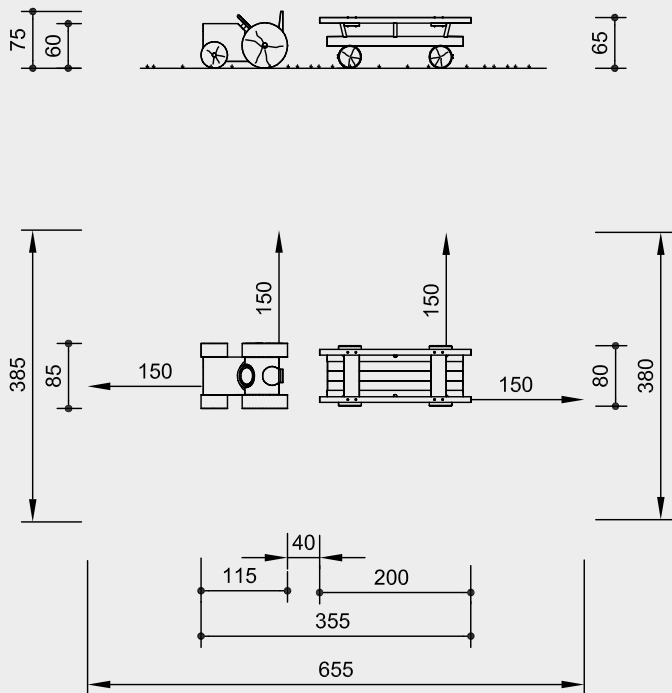
4.24005



4.24015

Order No. 4.24005 Small Tractor
Order No. 4.24015 Trailer for Small Tractor

Safety distance 
 Device dimensions 
 Functional distance 



Scale 1:100

Safety check according to DIN EN 1176

Components

Order No. 4.24005 Small Tractor

- 1 Tractor
- 2 Foundation irons

Order No. 4.24015 Trailer for Small Tractor

- 1 Trailer
- 2 Foundation irons

Installation information

Surfacing requirements corresponding to a fall height of ≤ 0.60 m (please refer to price list for more detailed information)

Foundations (only necessary in order to immobilise the equipment)
 2 items 30 x 30 x 30 cm
 Excavation depth 50 cm

Attention:
Exact measurements may vary;
for all installation dimensions refer to current assembly instructions.
 Technical changes reserved.

Technical information

Equipment made of non-impregnated mountain larch

Peeled white

Palisades peeled white means that bark, cambium and sapwood are removed, the natural shape of the trunk is preserved and can be experienced



Ground anchor

All parts used for anchoring to the ground are made of hot-dip galvanised steel or stainless steel



Relief cut

Targeted relief cut as an effective measure against cracks caused by drying. The cut defines the position of the stress equalization in the trunk and minimises natural cracking



For more detailed explanation of the quality characteristics see price list.

Dimensions

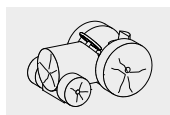
(small deviations possible)

Order No. 4.24005 Small Tractor

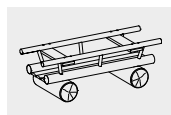
Height	0.75 m
Length	1.15 m
Width	0.85 m
Weight	250 kg

Order No. 4.24015 Trailer for Small Tractor

Height	0.65 m
Length	0.80 m
Width	2.00 m
Weight	190 kg



4.24005



4.24015

Play value

The Railway with locomotive, rail tender and wagons has a friendly look and gives small children the necessary stimulus for active play. It is an aide to the induction of simple exercises.



© Richter Spielgeräte GmbH 06/22

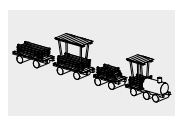
Big Railway

Fundamental characteristics

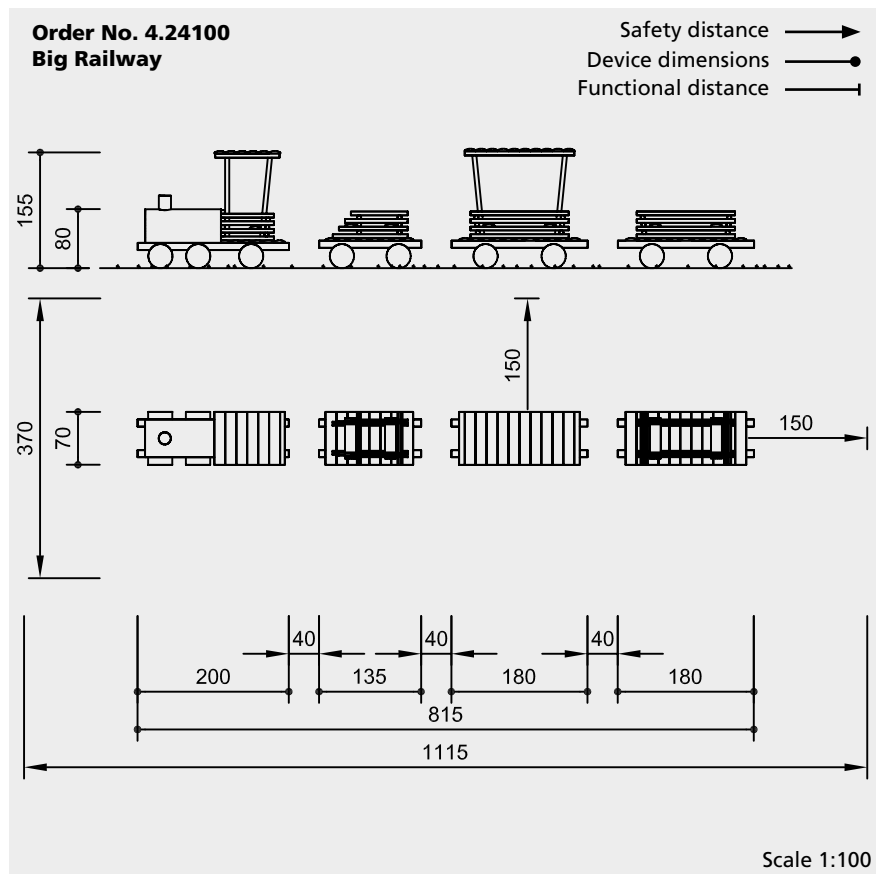
- Child proportions according to ergonomic requirements
- Appealing design
- Natural wooden surface which appeals to the senses
- Incentive for playing: handles in the cabin, wagons
- Movement: holding on, climbing, sitting
- Experiences: wood in its natural form with year rings, cracks etc.

Recommended for

- Children under 3 years
- Supervised play areas, such as kindergartens, schools, after-school programmes or similar
- Public play areas without supervision, such as playgrounds, parks or similar
- Private play areas without supervision, such as camp sites or similar



4.24100



Safety check according to DIN EN 1176

Components

- 1 Locomotive
- 1 Rail tender
- 1 Wagon with roof
- 1 Wagon without roof with 2 foundation irons each

Installation information

Surfacing requirements corresponding to a fall height of ≤ 1.00 m (please refer to price list for more detailed information)

Foundations (only necessary to immobilise the equipment)
8 items 30 x 30 x 30 cm
Excavation depth 50 cm

Attention:
Exact measurements may vary; for all installation dimensions refer to current assembly instructions.
Technical changes reserved.

Technical information

Equipment made of non-impregnated mountain larch

Peeled white

Palisades peeled white means that bark, cambium and sapwood are removed, the natural shape of the trunk is preserved and can be experienced



Core-free

Sawn-timbers core-free, thus decreasing occurrences of cracking and undesired changes in shape



Claddings

Claddings made of mountain larch (4 – 5 cm). Peeled white by hand, natural tree surface remains tangible and perceptible



Ground anchor

All parts used for anchoring to the ground are made of hot-dip galvanised steel or stainless steel



Relief cut

Targeted relief cut as an effective measure against cracks caused by drying. The cut defines the position of the stress equalization in the trunk and minimises natural cracking



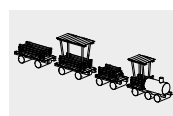
For more detailed explanation of the quality characteristics see price list.

Bell made of brass

Dimensions

(small deviations possible)

Height	1.55 m
Length	1.35 - 2.00 m
Width	0.70 m
Weight	820 kg



4.24100

Play value

The child's sense of proportion is reflected in the attractive shape of the RIKO Railway. The height-differentiated parts are good for holding onto and climbing on; driving with the train is great fun.



© Richter Spielgeräte GmbH 06/22

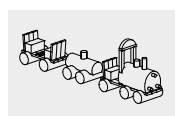
RIKO Railway

Fundamental characteristics

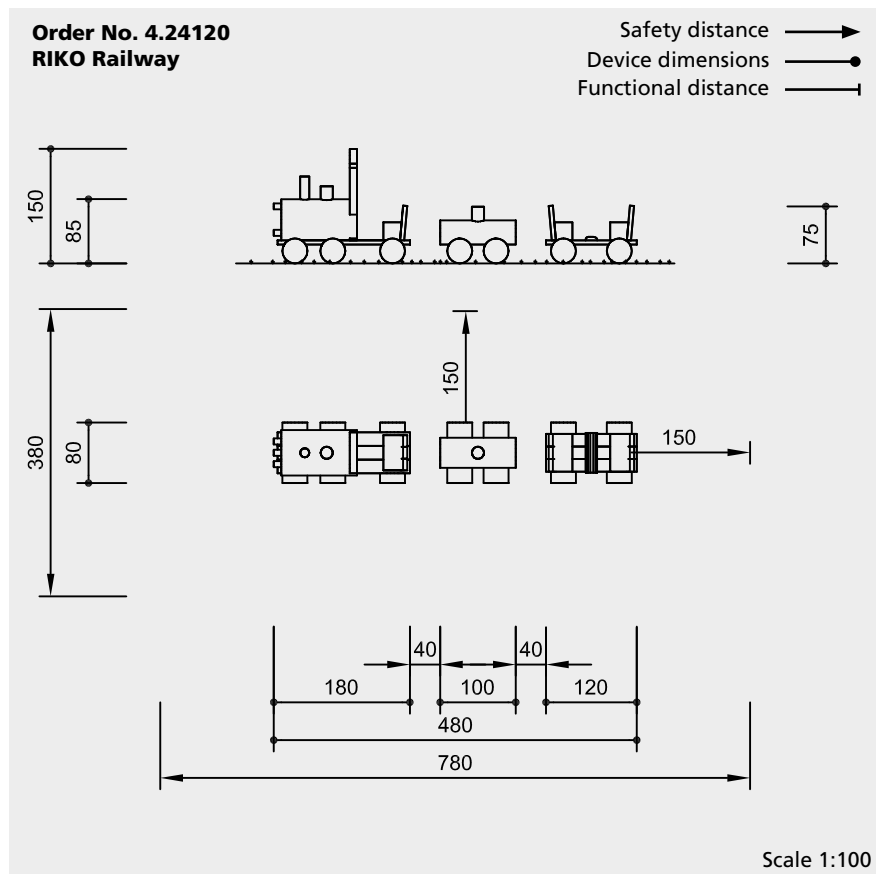
- Child-oriented dimensions
- Emotionally appealing design
- Natural wooden surface which appeals to the senses
- Incentive for playing: bell, trailer
- Movement: climbing, holding on
- Experience: wood in its natural form with year rings, branches, cracks etc.

Recommended for

- Children under 3 years
- Kindergarten children
- Supervised play areas, such as kindergartens, schools, after-school programmes or similar
- Public play areas without supervision, such as playgrounds, parks or similar



4.24120



Safety check according to DIN EN 1176

Components

- 1 Locomotive
- 1 Rail tender
- 1 Wagon
with 2 foundation irons each

Installation information

Surfacing requirements corresponding to a fall height of ≤ 1.00 m (please refer to price list for more detailed information)

Foundations (only necessary to immobilise the equipment)
6 items 30 x 30 x 30 cm
Excavation depth 50 cm

Attention:
Exact measurements may vary;
for all installation dimensions refer to current assembly instructions.
Technical changes reserved.

Technical information

Equipment made of non-impregnated mountain larch

Peeled white

Palisades peeled white means that bark, cambium and sapwood are removed, the natural shape of the trunk is preserved and can be experienced



Core-free

Sawn-timbers core-free, thus decreasing occurrences of cracking and undesired changes in shape



Ground anchor

All parts used for anchoring to the ground are made of hot-dip galvanised steel or stainless steel



Relief cut

Targeted relief cut as an effective measure against cracks caused by drying. The cut defines the position of the stress equalization in the trunk and minimises natural cracking

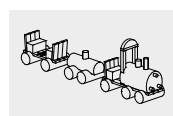


For more detailed explanation of the quality characteristics see price list.

Dimensions

(small deviations possible)

Height	1.50 m
Lengths	1.00 - 1.80 m
Width	0.80 m
Weight	650 kg



4.24120



Play value

Children, above all girls, love horses. More than any other toy animal it is cared for, groomed and included into role play. The cart encourages communication.

Photo © Daniel Perales

Order No 4.24130 Horse



Order No. 4.24140 „Peter“ Horse-cart

Fundamental characteristics

- Child proportions according to ergonomic requirements
- Natural wooden surface which appeals to the senses
- Incentive for playing: animal, cart, tail, rein
- Movement: climbing, riding

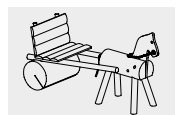
Recommended for

- Kindergarten children
- School children
- Supervised play areas, such as kindergartens, schools, after-school programmes or similar
- Public play areas without supervision, such as playgrounds, parks or similar
- Private play areas without supervision, such as camp sites or similar

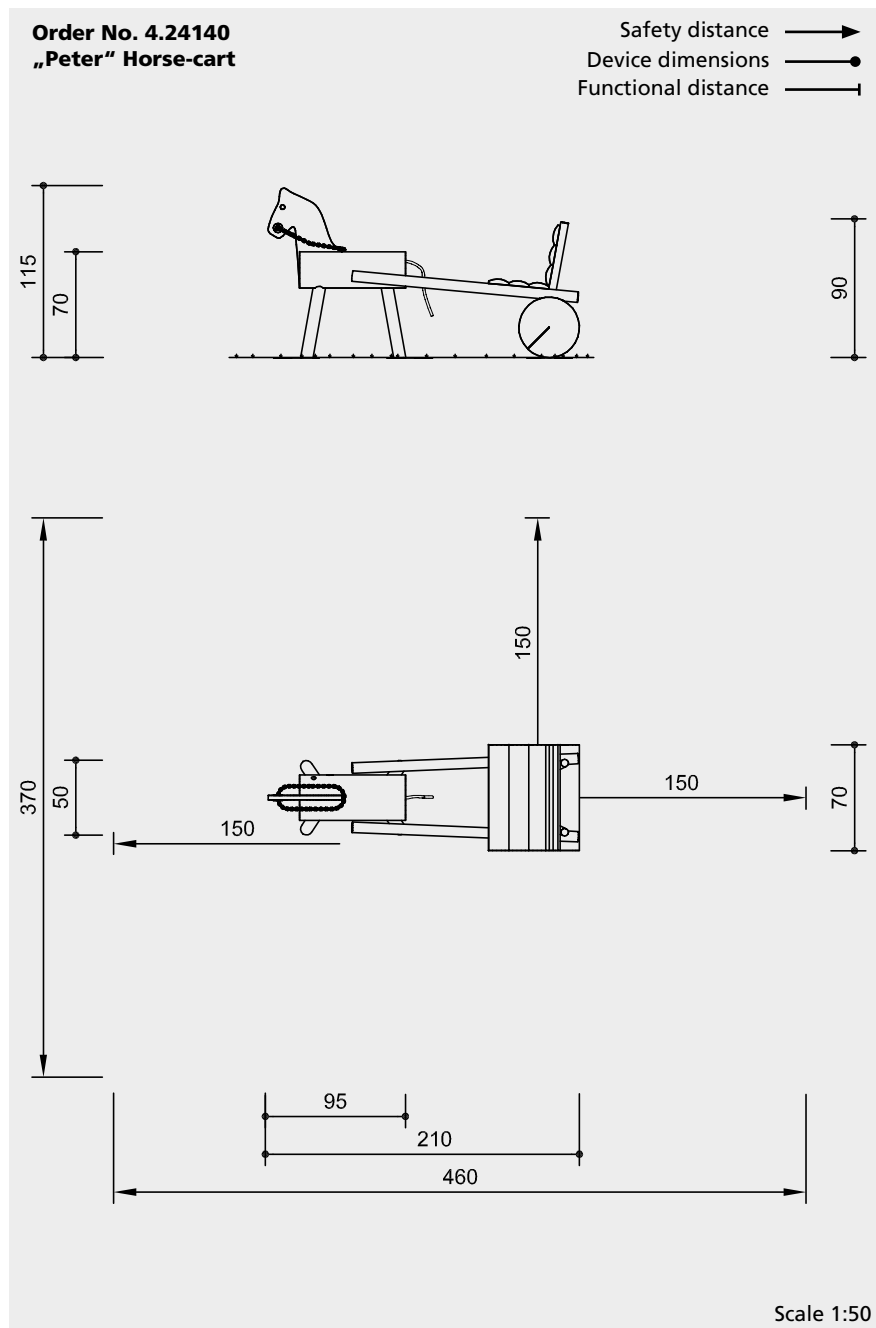
Horse „Peter“ Horse-cart



4.24130



4.24140



Safety check according to DIN EN 1176

Components

Order No. 4.24130

- Horse**
1 Horse
4 Foundations irons

Order No. 4.24140
„Peter“ Horse-cart

- 1 Horse
1 Cart
5 Foundation irons

Installation information

Surfacing requirements corresponding to a fall height of ≤ 1.00 m (please refer to price list for more detailed information)

Foundations (only necessary to immobilise the equipment)

Order No. 4.24130 Horse

- 2 items 30 x 80 x 15 cm
Excavation depth 35 cm

Order No. 4.24140 „Peter“ Horse-cart

- 2 items 30 x 80 x 15 cm
Excavation depth 35 cm
1 item 30 x 60 x 15 cm
Excavation depth 35 cm

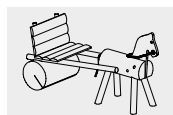
Attention:

Exact measurements may vary; for all installation dimensions refer to current assembly instructions.

Technical changes reserved.



4.24130



4.24140

Technical information

Equipment made of non-impregnated mountain larch

Peeled white

Palisades peeled white means that bark, cambium and sapwood are removed, the natural shape of the trunk is preserved and can be experienced



Core-free

Sawn-timbers core-free, thus decreasing occurrences of cracking and undesired changes in shape



Claddings

Claddings made of mountain larch (4 – 5 cm). Peeled white by hand, natural tree surface remains tangible and perceptible



Plywood

Plywood made of mountain larch, three-layer (3 cm) or five-layer (4 cm). High dimensional stability, waterproof, glued according to DIN EN 13353:2011



Ground anchor

All parts used for anchoring to the ground are made of hot-dip galvanised steel or stainless steel



Chains

Chains made of hot-dip galvanized steel (1.4301 / 1.4571 at extra charge) welded before galvanising, short-linked, without eyelets on the connecting parts, easy to exchange and shorten



Relief cut

Targeted relief cut as an effective measure against cracks caused by drying. The cut defines the position of the stress equalization in the trunk and minimises natural cracking



For more detailed explanation of the quality characteristics see price list.

Tail made of PP rope, 16 mm, 3 strands

Dimensions

(small deviations possible)

Order No. 4.24130

Horse	
Height	1.15 m
Length	0.95 m
Width	0.50 m
Weight	35 kg

Order No. 4.24140
„Peter“ Horse-cart

Height	1.15 m
Length	2.10 m
Width	0.70 m
Weight	110 kg

Play value

Children, and above all girls, love every kind of horse. They promote role play and encourage communication skills. The Pony is a smaller edition of our Horse. The small Pony and Trap is a miniature version of the big "Peter" Horse Cart. The buggy promotes role play and encourages communication skills. The Pony can also be looked after alone, just like in real life.



Order No. 4.24145 Pony and Trap



Order No. 4.24135 Pony



Order No. 4.24145 Pony and Trap

Fundamental characteristics

- Child-oriented dimensions
- Natural wooden surface which appeals to the senses, chunky bodies
- Incentive for playing: animal, cart, tail, rein
- Movement: climbing, riding

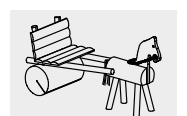
Recommended for

- Children under 3 years
- Kindergarten children
- Supervised play areas, such as kindergartens, schools, after-school programmes or similar
- Public play areas without supervision, such as playgrounds, parks or similar

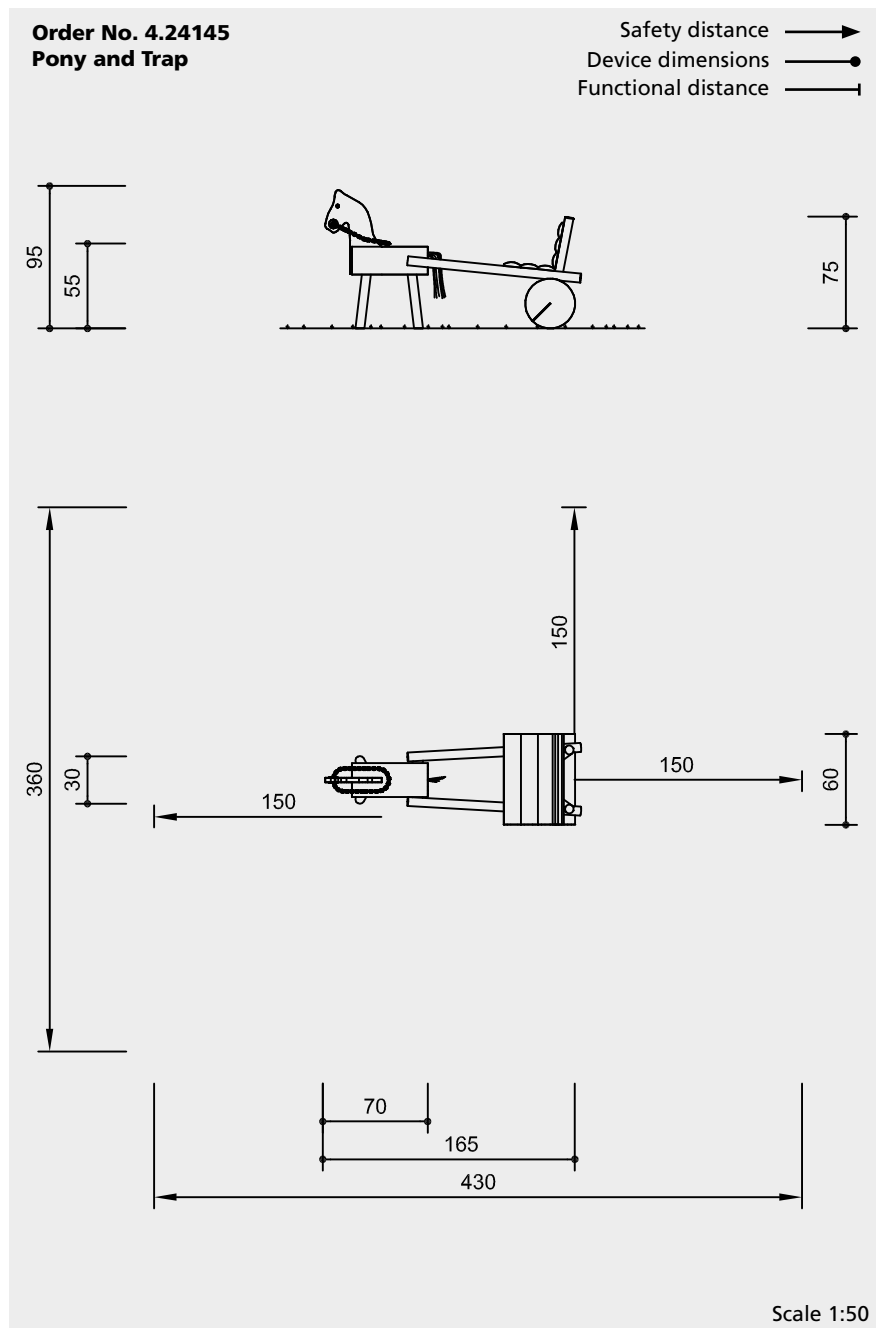
**Pony
Pony and Trap**



4.24135



4.24145



Safety check according to DIN EN 1176

Components

Order No. 4.24135

- Pony**
1 Pony
4 Foundation irons

Order No. 4.24145
Pony and Trap

- 1 Pony
1 Trap
5 Foundation irons

Installation information

Surfacing requirements corresponding to a fall height of ≤ 0.60 m (please refer to price list for more detailed information)

Foundations (only necessary in order to immobilise the equipment)

Order No.4.24135 Pony

- 1 item 60 x 70 x 15 cm
Excavation depth 35 cm

Order No. 4.24145 Pony and Trap

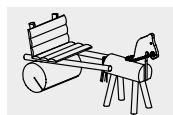
- 1 item 60 x 70 x 15 cm
Excavation depth 35 cm
1 items 50 x 30 x 15 cm
Excavation depth 35 cm

Attention:

Exact measurements may vary; for all installation dimensions refer to current assembly instructions.
Technical changes reserved.



4.24135



4.24145

Technical information

Equipment made of non-impregnated mountain larch

Peeled white

Palisades peeled white means that bark, cambium and sapwood are removed, the natural shape of the trunk is preserved and can be experienced



Core-free

Sawn-timbers core-free, thus decreasing occurrences of cracking and undesired changes in shape



Claddings

Claddings made of mountain larch (4 – 5 cm). Peeled white by hand, natural tree surface remains tangible and perceptible



Plywood

Plywood made of mountain larch, three-layer (3 cm) or five-layer (4 cm). High dimensional stability, waterproof, glued according to DIN EN 13353:2011



Ground anchor

All parts used for anchoring to the ground are made of hot-dip galvanised steel or stainless steel



Chains

Chains made of hot-dip galvanized steel (1.4301 / 1.4571 at extra charge) welded before galvanising, short-linked, without eyelets on the connecting parts, easy to exchange and shorten



Relief cut

Targeted relief cut as an effective measure against cracks caused by drying. The cut defines the position of the stress equalization in the trunk and minimises natural cracking



For more detailed explanation of the quality characteristics see price list.

Tail made of PP rope, 16 mm, 3 strands

Dimensions

(small deviations possible)

Order No. 4.24135

Pony

Height	0.95 m
Seat height	0.55 m
Length	0.70 m
Width	0.30 m
Weight	30 kg

Order No. 4.24145

Pony and Trap

Height	0.95 m
Seat height	0.55 m
Length	1.65 m
Width	0.60 m
Weight	70 kg

Play value

The Swinging Horse makes a swinging and rocking movement possible for little ones. Through the strength of the rider a harmonious rocking cycle results which cannot be compared to ordinary upward and downward movement.



Fundamental characteristics

- Child proportions according to ergonomic requirements
- Natural wooden surface which appeals to the senses
- Defined swinging direction through leaf spring, no turning movement
- Incentive for playing: horse body
- Movement: riding, moving one's centre of gravity

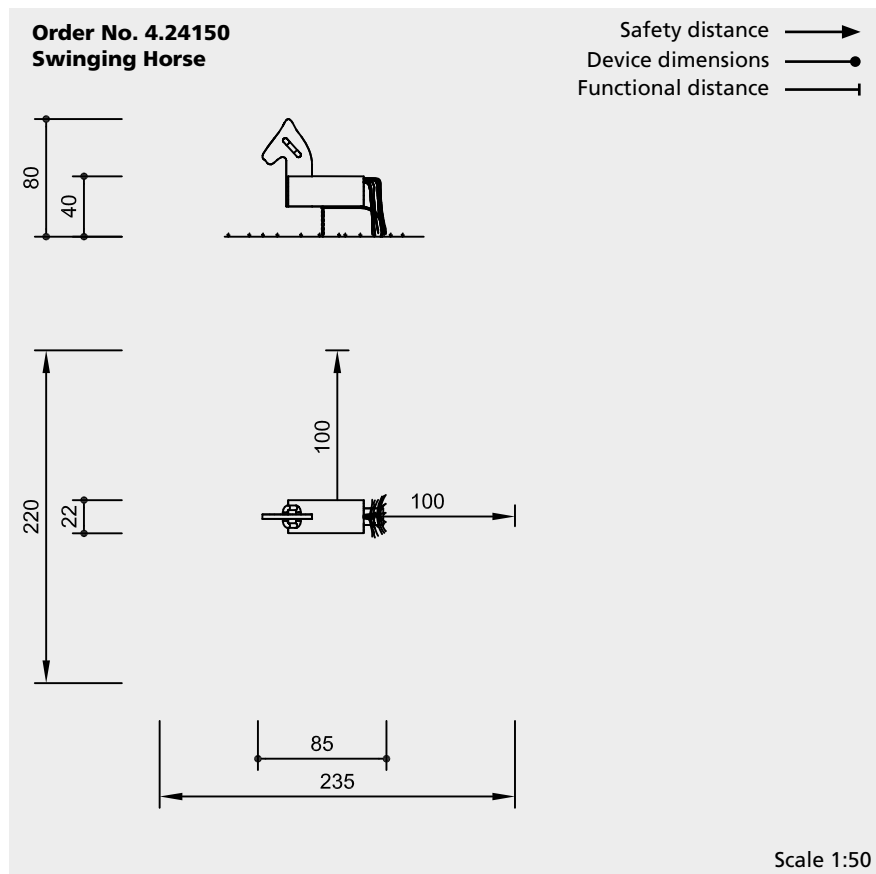
Recommended for

- Children under 3 years
- Kindergarten children
- Supervised play areas, such as kindergartens, schools, after-school programmes or similar
- Public play areas without supervision, such as playgrounds, parks or similar

Swinging Horse



4.24150



Safety check according to DIN EN 1176

Components

1 Horse body,
mounted on leaf spring

Pre-fabricated concrete foundation
available, see **Order No. 4.24160** in the
price list.

Installation information

Surfacing requirements
As for critical fall height ≤ 1.00 m
(please refer to price list for more
detailed information)

Foundations
1 item 30 x 50 x 20 cm
Excavation depth 30 cm

Recommendation

When installed in loose ground, the
pre-fabricated concrete foundation
should be covered durably, e.g. with
safety tiles.

Attention:

**Exact measurements may vary;
for all installation dimensions refer
to current assembly instructions.**
Technical changes reserved.

Technical information

Equipment made of not impregnated
mountain larch

Peeled white

Palisades peeled white means that bark,
cambium and sapwood are removed,
the natural shape of the trunk is
preserved and can be experienced



Plywood

Plywood made of mountain larch,
three-layer (3 cm) or five-layer (4 cm).
High dimensional stability,
waterproof, glued according to
DIN EN 13353:2011



Ground anchor

All parts used for anchoring to the
ground are made of hot-dip galvanised
steel or stainless steel



Stainless Chains

Chains made of steel with high
corrosion resistance.
Short-linked, without eyelets on the
connecting parts, easily replaceable and
simple shortening



Relief cut

Targeted relief cut as an effective mea-
sure against cracks caused by drying.
The cut defines the position of the stress
equalization in the trunk and minimises
natural cracking



For more detailed explanation of the quality characteristics see price list.

Leaf spring sand-blasted, hardened and
plastic coated

Grips made of polyamide

Tail made of PP rope, 16 mm, 3 strands

Dimensions

(small deviations possible)

Total height	0.80 m
Height seat	0.40 m
Length	0.85 m
Width	0.22 m
Leaf spring	100 x 8 mm
Weight	25 kg



4.24150



Order No. 4.24173 Baby Elephant



Order No. 4.24175 Lion

Play value

Our three artistically designed animal babies, Lion, Elephant and Rhinoceros, create a friendly atmosphere and are instantly accepted by children. Without needing any encouragement at all, they play riding games, pat their faces and pull on their tails. Play sculptures such as these are particularly well suited to accentuate children's worlds and strengthen the identity of a space. These installations create a welcoming atmosphere for entrance areas to kindergartens, children's hospitals and similar institutions.

Fundamental characteristics

- Very special appeal
- Eye-catcher of a play area
- Attractive meeting point
- Incentive for playing: curiosity, role-playing games, experiencing closeness
- Movement: climbing up

Recommended for

- Kindergarten children
- Supervised play areas, such as kindergartens, schools, after-school programmes or similar
- Public play areas without supervision, such as playgrounds, parks or similar

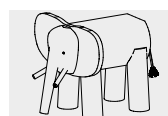


Order No. 4.24176 Rhinoceros

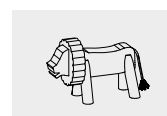


Order No. 4.24176 Rhinoceros

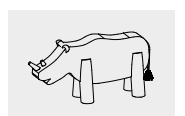
**Baby Elephant
Lion
Rhinoceros**



4.24173



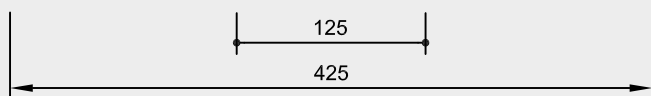
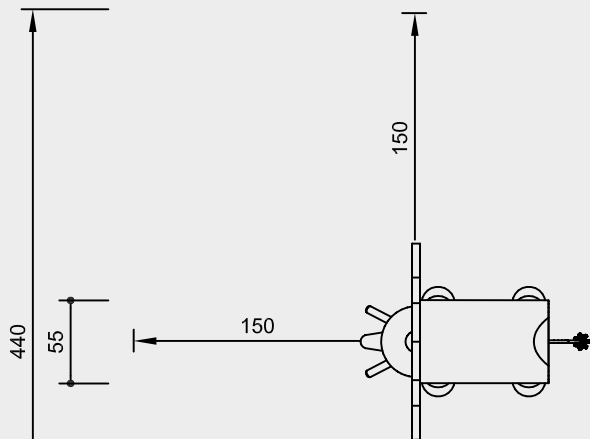
4.24175



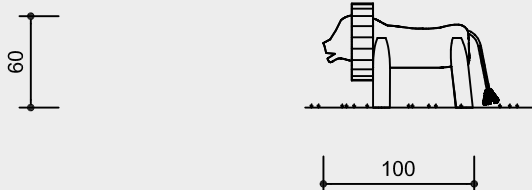
4.24176

**Order No. 4.24173
Baby Elephant**

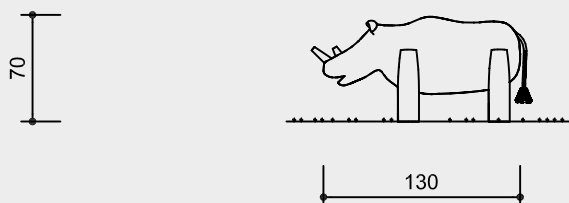
Safety distance →
Device dimensions —●—
Functional distance —|—



**Order No. 4.24175
Lion**

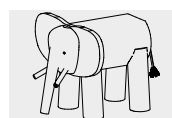


**Order No. 4.24176
Rhinoceros**

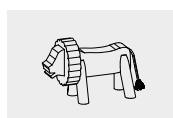


Scale 1:50

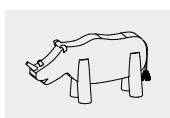
Safety check according to DIN EN 1176



4.24173



4.24175



4.24176

Technical information

Equipment made of mountain larch

Peeled white

Palisades peeled white means that bark, cambium and sapwood are removed, the natural shape of the trunk is preserved and can be experienced



Core-free

Sawn-timbers core-free, thus decreasing occurrences of cracking and undesired changes in shape



Ground anchor

All parts used for anchoring to the ground are made of hot-dip galvanised steel or stainless steel



Tail made of PP rope, 16 mm, 3 strands, natural-coloured

Order No. 4.24173 Baby Elephant
As above, but in addition with

Plywood

Plywood made of mountain larch, three-layer (3 cm) or five-layer (4 cm). High dimensional stability, waterproof, glued according to DIN EN 13353:2011



For more detailed explanation of the quality characteristics see price list.

Dimensions

(small deviations possible)

Order No. 4.24173 Baby Elephant

Height	1.00 m
Length	1.25 m
Width	0.55 m
Weight	200 kg

Order No. 4.24175 Lion

Height	0.60 m
Length	1.00 m
Width	0.45 m
Weight	60 kg

Order No. 4.24176 Rhinoceros

Height	0.70 m
Length	1.30 m
Width	0.40 m
Weight	100 kg

Components

1 Animal and 4 foundation irons each

Installation information

Surfacing requirements corresponding to a fall height of ≤ 1.00 m (please refer to price list for more detailed information)

Foundations

Order No. 4.24173 Baby Elephant

2 items 90 x 30 x 30 cm
Excavation depth 50 cm

Order No. 4.24175 Lion

2 items 80 x 30 x 30 cm
Excavation depth 50 cm

Order No. 4.24176 Rhinoceros

1 item 90 x 60 x 30 cm
Excavation depth 50 cm

Attention:

Exact measurements may vary; for all installation dimensions refer to current assembly instructions.

Technical changes reserved.

Play value

With a sure instinct, our designer has grasped and abstracted the concept of the dachshund in bold strokes. It features the long, slender body, the narrow head with the floppy ears and the characteristic short legs and also expresses the friendly charisma of the little dog. The object is particularly suitable as an artistically designed play point in inner city areas. In recreational facilities, the dog is an amusing alternative seating option for young and old, which promotes relaxation and lightness and encourages role-playing games.



Dachshund

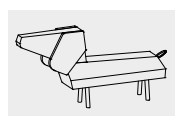
A pack of several dogs can give children's play areas a distinctive identity.

Fundamental characteristics

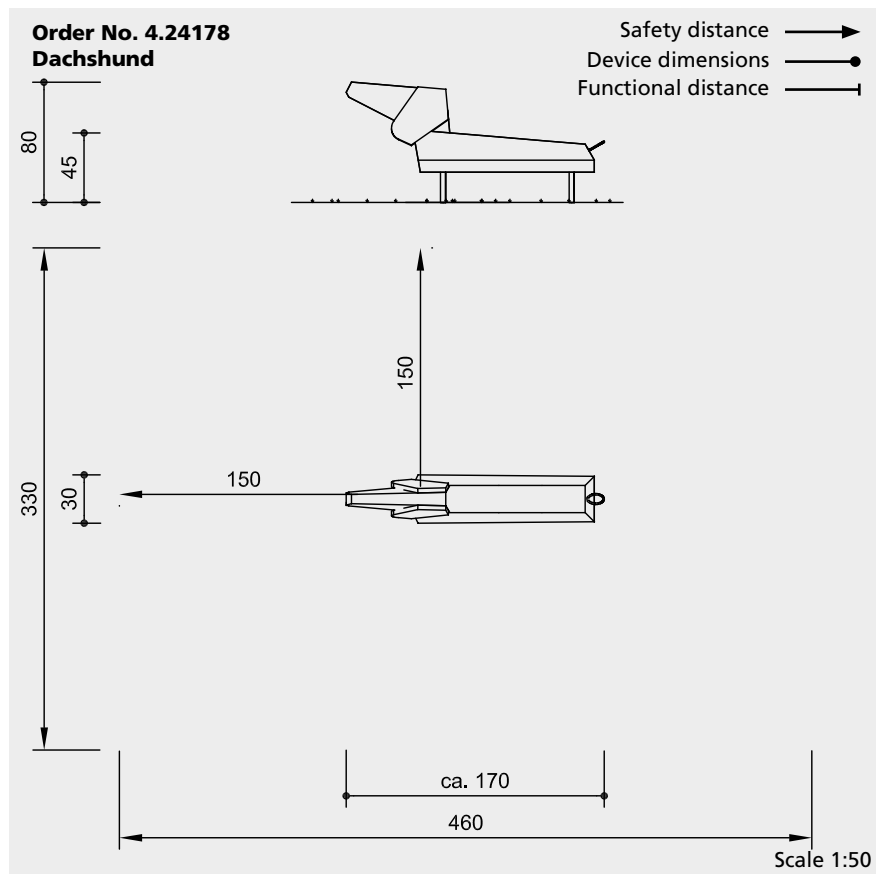
- Play art
- Incentive for playing:
friendly appearance, animal
- Movement: climbing, sitting

Recommended for

- Children under 3 years
- Kindergarten children
- Supervised play areas, such as kindergartens, schools, after-school programmes or similar
- Public play areas without supervision, such as playgrounds, parks or similar



4.24178



Safety check according to DIN EN 1176

Components

- 1 Dachshund with steel feet

Installation information

Surfacing requirements corresponding to a fall height of ≤ 1.00 m (please refer to price list for more detailed information)

Foundations
2 items 60 x 40 x 20 cm
Excavation depth 40 cm

Attention:
Exact measurements may vary;
for all installation dimensions refer to current assembly instructions.
Technical changes reserved.

Technical information

Equipment of solid poplar wood, worked on by hand, boiler pressure impregnated according to DIN 68800-3, use class 4

Plywood

Plywood made of mountain larch, three-layer (3 cm) or five-layer (4 cm). High dimensional stability, waterproof, glued according to DIN EN 13353:2011



Richter Hercules type rope

Richter Hercules type rope, a combination of galvanised six-strand steel cables and polyester yarn, diameter > 20 mm, laid and glued with very good abrasion resistance, strong sheathing even in the case of damage by puncturing



Aluminium rope pressing

Aluminium rope pressing, cylindrically pressed, with rounded ends



Ground anchor

All parts used for anchoring to the ground are made of hot-dip galvanised steel or stainless steel

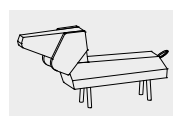


For more detailed explanation of the quality characteristics see price list.

Dimensions

(small deviations possible)

Length	1.70 m
Height	0.80 m
Width	0.30 m
Weight	100 kg



4.24178



Order No. 4.24180 Pig, Photo © Daniel Perales

Play value

The friendly wooden animals can be used in versatile ways and are an enjoyable and appealing design element in the area for the smallest children. They can be used as seats or as something to hold onto, as well as being incorporated into role-play games. Their emotional appeal also serves as a basis for creating memories and encourages the child to develop a relationship to the play area.

Fundamental characteristics

- Child-oriented dimensions
- Emotionally appealing design: chunky, friendly bodies, whiskers
- Experience: large, thick trunks with natural phenomena such as year rings, branches, cracks, etc.

Recommended for

- Children under 3 years
- Kindergarten children
- Supervised play areas, such as kindergartens, schools, after-school programmes or similar
- Public play areas without supervision, such as playgrounds, parks or similar

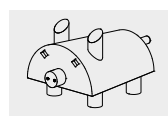


Order No. 4.24180 Pig, Photo © Daniel Perales

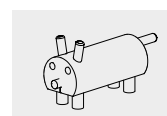


Order No. 4.24190 Mouse

**Pig
Mouse
Cat**



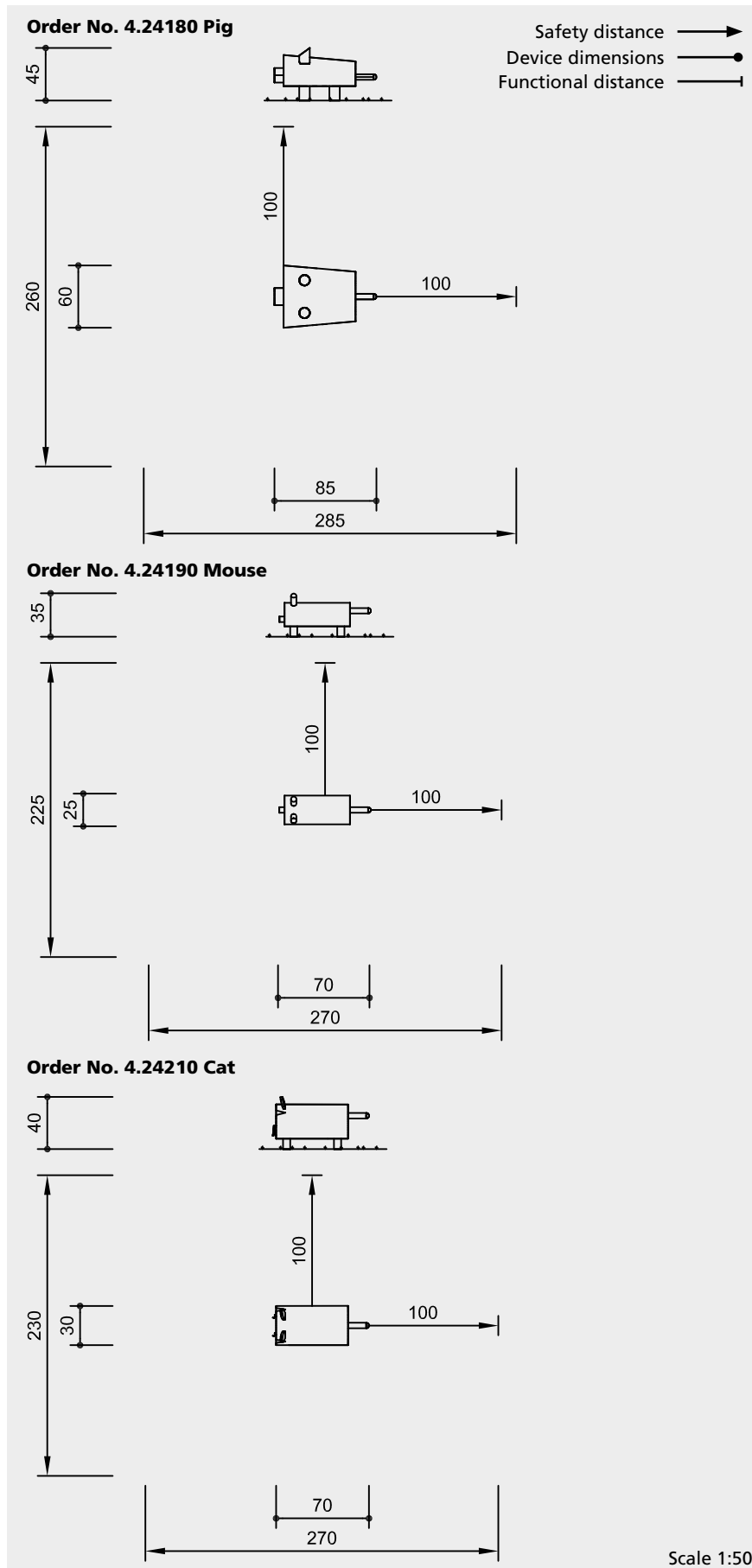
4.24180



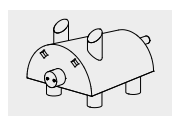
4.24190



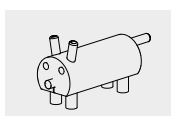
4.24210



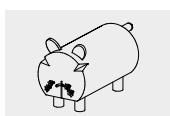
Safety check according to DIN EN 1176



4.24180



4.24190



4.24210

Technical information

Equipment made of non-impregnated mountain larch

Peeled white

Palisades peeled white means that bark, cambium and sapwood are removed, the natural shape of the trunk is preserved and can be experienced



Ground anchor

All parts used for anchoring to the ground are made of hot-dip galvanised steel or stainless steel



Chains

Chains made of hot-dip galvanized steel (1.4301 / 1.4571 at extra charge) welded before galvanising, short-linked, without eyelets on the connecting parts, easy to exchange and shorten



Relief cut

Targeted relief cut as an effective measure against cracks caused by drying. The cut defines the position of the stress equalization in the trunk and minimises natural cracking



For more detailed explanation of the quality characteristics see price list.

Whiskers made of PP rope, 16 mm, 3 strands

Dimensions

(small deviations possible)

Order No. 4.24180 Pig

Height	0.45 m
Length	0.85 m
Width	0.60 m
Weight	40 kg

Order No. 4.24190 Mouse

Height	0.35 m
Length	0.70 m
Width	0.25 m
Weight	17 kg

Order No. 4.24210 Cat

Height	0.40 m
Length	0.70 m
Width	0.30 m
Weight	25 kg

Components

Order No. 4.24180 / 4.24190 / 4.24210

- 1 Animal each
- with foundation chain

Installation information

Surfacing requirements corresponding to a fall height of $\leq 0.60\text{m}$ (please refer to price list for more detailed information)

Foundations (only necessary in order to immobilise the equipment)

- 1 item 30 x 30 x 20 cm
- Excavation depth 50 cm

Attention:

Exact measurements may vary; for all installation dimensions refer to current assembly instructions.

Technical changes reserved.



Photo © Daniel Perales

Play value

The abstracted shape of the sheep is no problem for children. At once, they recognize them as standing and resting sheep by their posture, the expression of their faces and the characteristic look of their ears. The sheep become part of role play, are used for riding or as alternative seats. When they are installed in a group, the play area gets a friendly warm atmosphere.

Fundamental characteristics

- Appealing, child-orientated design
- Tactile experience of wood
- Abstracted design
- Incentive for playing: friendly appearance, ears

Recommended for

- Children under 3 years
- Kindergarten children
- Supervised play areas, such as kindergartens, schools, after-school programmes or similar
- Public play areas without supervision, such as playgrounds, parks or similar

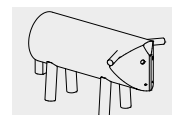


Sheep, standing
Sheep, resting

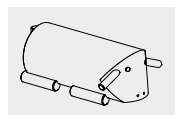


© Richter Spielgeräte GmbH 06/22

Design J. O. Gaier

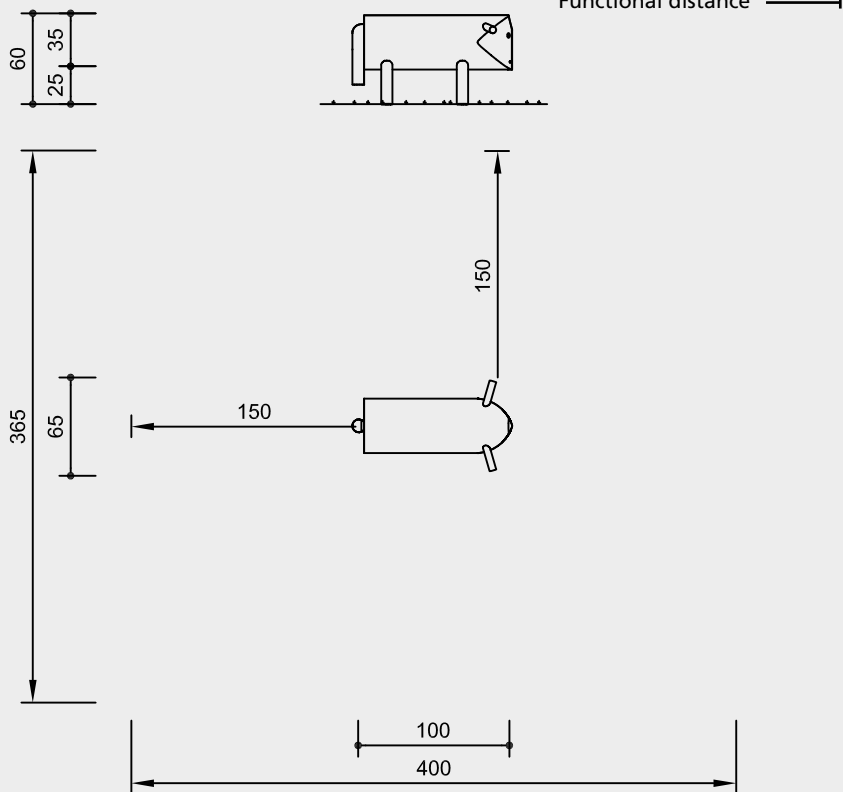


4.24195

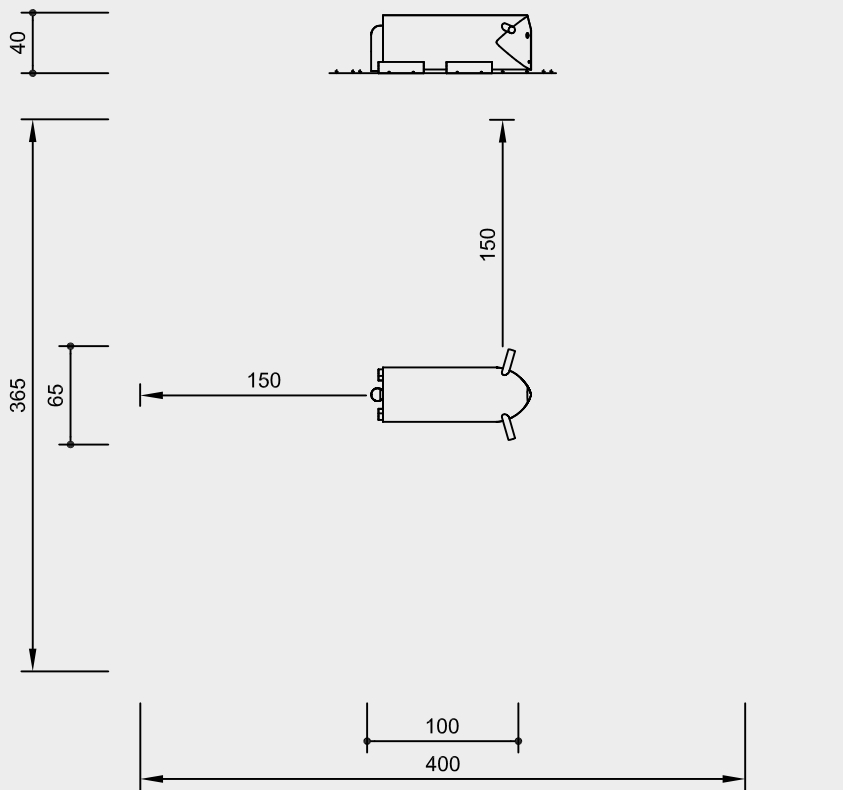


4.24196

Order No. 4.24195
Sheep, standing

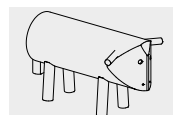


Order No. 4.24196
Sheep, resting

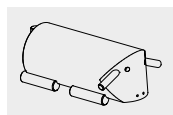


Safety check according to DIN EN 1176

Scale 1:50



4.24195



4.24196

Technical information

Equipment made of non-impregnated mountain larch

Peeled white

Palisades peeled white means that bark, cambium and sapwood are removed, the natural shape of the trunk is preserved and can be experienced



Ground anchor

All parts used for anchoring to the ground are made of hot-dip galvanised steel or stainless steel



Relief cut

Targeted relief cut as an effective measure against cracks caused by drying. The cut defines the position of the stress equalization in the trunk and minimises natural cracking



For more detailed explanation of the quality characteristics see price list.

Dimensions

(small deviations possible)

Order No. 4.24195
Sheep, standing

Height	0.60 m
Length	1.00 m
Width	0.65 m
Weight	80 kg

Order No. 4.24196
Sheep, resting

Height	0.40 m
Length	1.00 m
Width	0.65 m
Weight	75 kg

Components

Order No. 4.24195

- 1 Sheep, standing
- 4 Foundation irons

Order No. 4.24196

- 1 Sheep, resting
- 2 Foundation irons

Installation information

Surfacing requirements corresponding to a fall height of ≤ 0.60 m (please refer to price list for more detailed information)

Foundations (only necessary to immobilise the equipment)

Order No. 4.24195

Sheep, standing
2 items 50 x 30 x 15 cm
Excavation depth 35 cm

Order No. 4.24195

Sheep, standing
2 items 30 x 30 x 30 cm
Excavation depth 50 cm

Attention:

Exact measurements may vary; for all installation dimensions refer to current assembly instructions.

Technical changes reserved.

Play value

The appearance of the Snail Queen has a strong attractive force for small children. It can be used for riding or integrated into a role play situation. The Snail Queen creates a cosy atmosphere and helps to shape a small children's area in a friendly way.

Fundamental characteristics

- Child proportions according to ergonomic requirements
- Agreeable design
- Use of wood which appeals to the senses
- Incentive for playing: horns, eyes, snail shell
- Movement: defined pendulum movement, moving one's centre of gravity

Recommended for

- Kindergarten children
- Supervised play areas, such as kindergartens, schools, after-school programmes or similar
- Public play areas without supervision, such as playgrounds, parks or similar

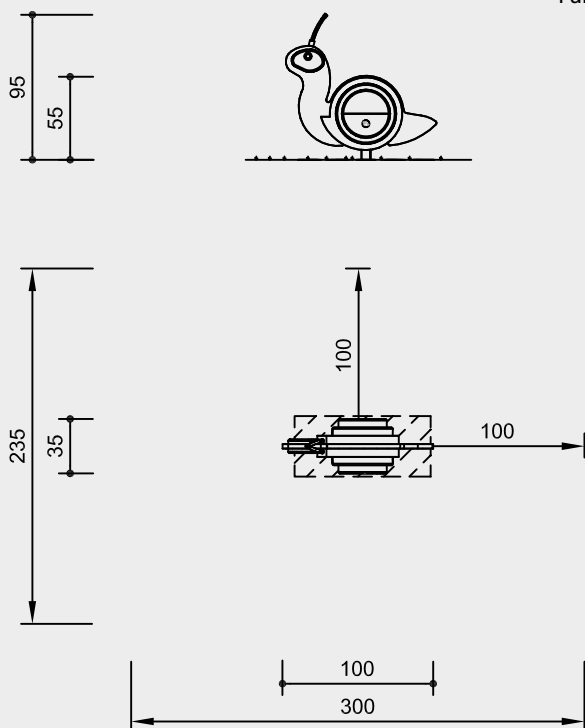


Snail Queen



Order No. 4.24220
Snail Queen

Safety distance →
Device dimensions ●
Functional distance —



Scale 1:50

Safety check according to DIN EN 1176

Components

- 1 Snail body, mounted onto a galvanised rocking mechanism
- 1 Pre-fabricated concrete foundation

Installation information

Surfacing requirements as for critical fall height ≤ 1.00 m (please refer to price list for more detailed information)

Foundations
Excavation for pre-fabricated foundation 45 x 95 x 20 cm

Recommendation
When installed in loose ground, the pre-fabricated concrete foundation should be covered durably, e.g. with safety tiles.

Attention:
Exact measurements may vary; for all installation dimensions refer to current assembly instructions.
Technical changes reserved.

Technical information

Equipment made of non-impregnated mountain larch

Core-free
Sawn-timbers core-free, thus decreasing occurrences of cracking and undesired changes in shape



Plywood
Plywood made of mountain larch, three-layer (3 cm) or five-layer (4 cm). High dimensional stability, waterproof, glued according to DIN EN 13353:2011



Richter Hercules type rope
Richter Hercules type rope, a combination of galvanised six-strand steel cables and polyester yarn, diameter > 20 mm, laid and glued with very good abrasion resistance, strong sheathing even in the case of damage by puncturing



Aluminium rope pressing
Aluminium rope pressing, cylindrically pressed, with rounded ends



Sintered bush
For all reciprocating movements we use sintered plain bearings which are self-lubricating in use and can easily be exchanged if necessary



For more detailed explanation of the quality characteristics see price list.

Equipment in natural colour, protected with linseed oil

Rocking mechanism hot-dip galvanised

Dimensions
(small deviations possible)

Height	0.95 m
Sitting height	0.55 m
Length	1.00 m
Weight	130 kg



4.24220



Play value

Our Rocking Horse is fun for small and older children alike. The appealing charisma of the animal can contribute significantly to making a play space friendly for smaller children. Thanks to the footrests, the wide seat and the handles, even small children can ride on the horse and swing gently by shifting their weight.

Fundamental characteristics

- Child-oriented dimensions
- Friendly appearance
- Natural wooden surface that appeals to tactile senses
- Movement: climbing, riding, swinging

Recommended for

- Children under 3 years
- School children
- Supervised play areas, such as kindergartens, schools, after-school programmes or similar

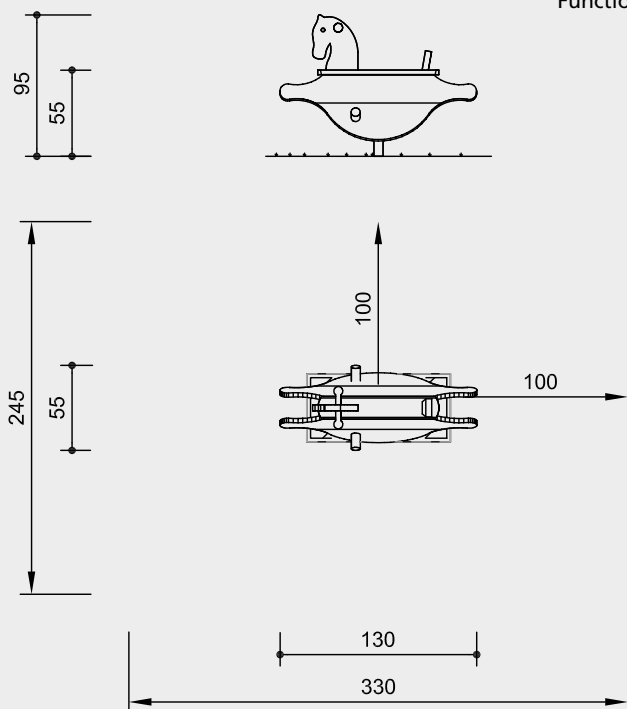


Rocking horse



4.24225

Order No. 4.24225
Rocking horse



Scale 1:50

Safety check according to DIN EN 1176

Components

- 1 Rocking horse mounted on galvanised see-saw mechanism
- 1 Pre-fabricated concrete foundation

Installation information

Surfacing requirements as for critical fall height ≤ 1.00 m (please refer to price list for more detailed information)

Foundations
 Excavation for pre-fabricated foundation 45 x 95 x 20 cm

Recommendation

When installed in loose ground, the pre-fabricated concrete foundation should be covered durably, e.g. with safety tiles.

Attention:

Exact measurements may vary; for all installation dimensions refer to current assembly instructions.
 Technical changes reserved.

Technical information

Equipment made of non-impregnated mountain larch

Core-free

Sawn-timbers core-free, thus decreasing occurrences of cracking and undesired changes in shape



Plywood

Plywood made of mountain larch, three-layer (3 cm) or five-layer (4 cm). High dimensional stability, waterproof, glued according to DIN EN 13353:2011



Sintered bush

For all reciprocating movements we use sintered plain bearings which are self-lubricating in use and can easily be exchanged if necessary



For more detailed explanation of the quality characteristics see price list.

Equipment natural colour, protected by linseed oil varnish

Rocking mechanism hot-dip galvanised

Dimensions

(small deviations possible)

Height	0.95 m
Sitting height	0.55 m
Length	1.30 m
Weight	approx. 140 kg



4.24225



Play value

Our big and small snails are versatile and attractive design elements especially suited for the small children's area. The friendly animals can be used as comfortable seats or just to hold onto lovingly. Often, they will be integrated into role-play games. Due to their emotional appeal, they also act as identifying features that help children to develop a connection to the playground.

Fundamental characteristics

- Child-oriented dimensions according to ergonomic knowledge
- Emotionally appealing design chunky body
- Experience: large, thick trunks with natural phenomena such as year rings and branches

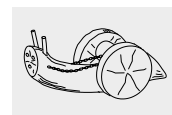
Recommended for

- Children under 3 years
- Kindergarten children
- School children
- Supervised play areas, such as kindergartens, schools, after-school programmes or similar
- Public play areas without supervision, such as playgrounds, parks or similar



Photo © Paul Upward

**Snail
Little Snail**



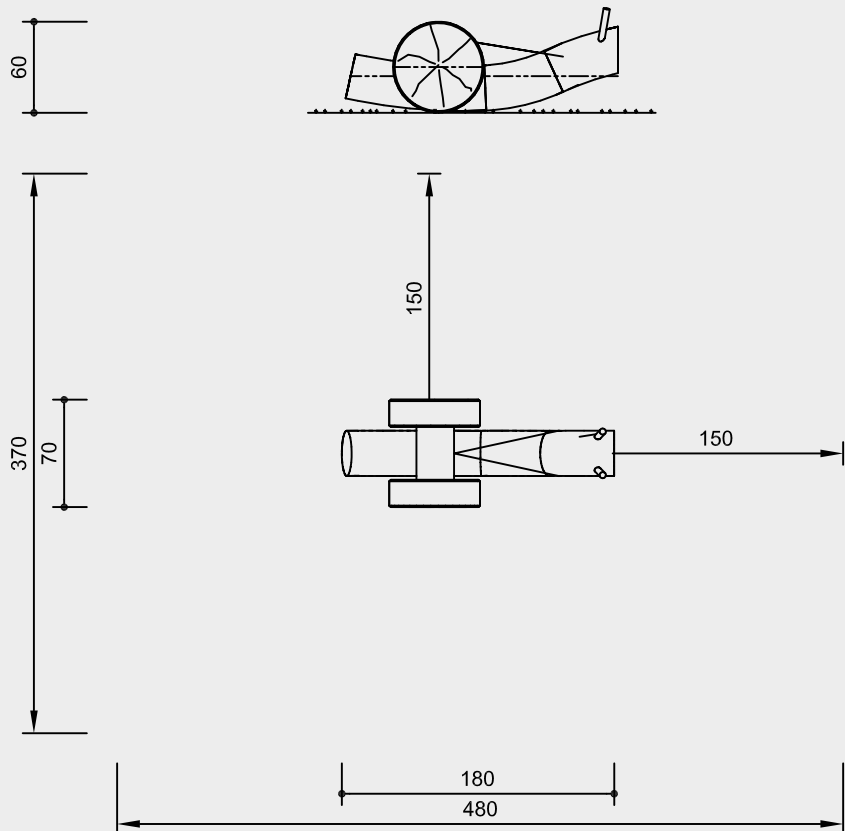
4.24230



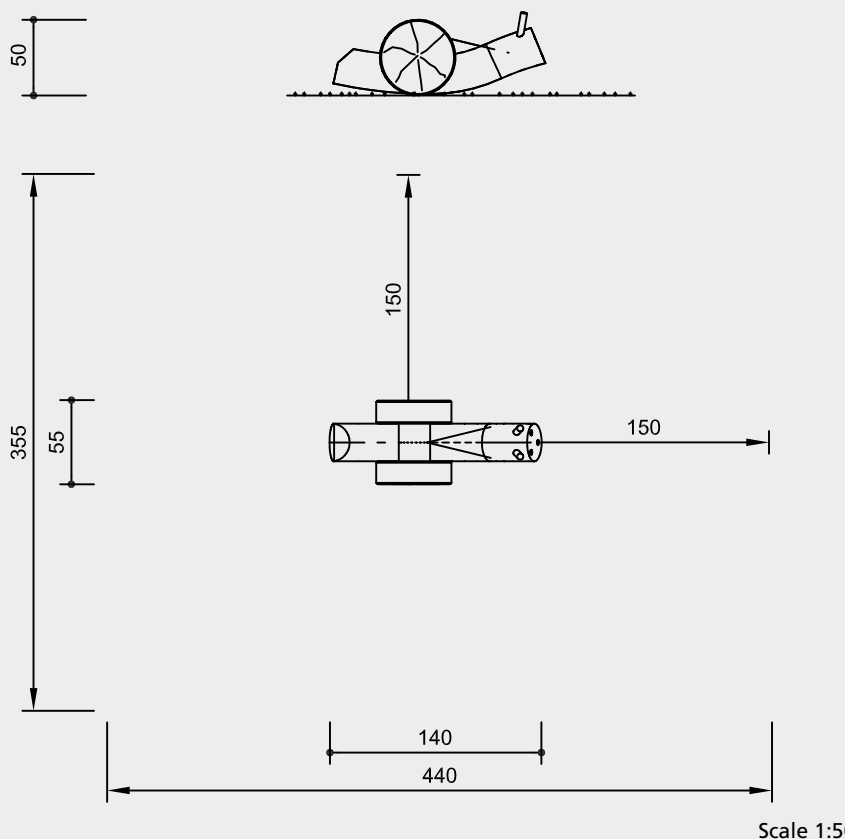
4.24235

**Order No. 4.24230
Snail**

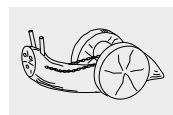
Safety distance →
Device dimensions ●
Functional distance —



**Order No. 4.24235
Little Snail**



Safety check according to DIN EN 1176



4.24230



4.24235

Technical information

Equipment made of non-impregnated mountain larch

Peeled white

Palisades peeled white means that bark, cambium and sapwood are removed, the natural shape of the trunk is preserved and can be experienced



Ground anchor

All parts used for anchoring to the ground are made of hot-dip galvanised steel or stainless steel



Chains

Chains made of hot-dip galvanized steel (1.4301 / 1.4571 at extra charge) welded before galvanising, short-linked, without eyelets on the connecting parts, easy to exchange and shorten



Relief cut

Targeted relief cut as an effective measure against cracks caused by drying. The cut defines the position of the stress equalization in the trunk and minimises natural cracking



For more detailed explanation of the quality characteristics see price list.

Dimensions

(small deviations possible)

Order No. 4.24230

Snail	
Height	0.60 m
Length	1.80 m
Width	0.70 m
Weight	200 kg

Order No. 4.24235

Little Snail	
Height	0.50 m
Length	1.40 m
Width	0.55 m
Weight	150 kg

Components

Order No. 4.24230 / 4.24235

- 1 Animal each
- 2 Foundation irons

Installation information

Surfacing requirements corresponding to a fall height of ≤ 0.60 m (please refer to price list for more detailed information)

Foundations (only necessary in order to immobilise the equipment)
1 item 50 x 30 x 50 cm
Excavation depth 50 cm

Attention:
Exact measurements may vary; for all installation dimensions refer to current assembly instructions.

Technical changes reserved.
Wheels also available made of double-layered for hot regions (Order No. 4.24234 and 4.24236).

Play value

The friendly look of the animal families gives a special atmosphere to a play area. This large play equipment allows for fun with movement, role play and understanding of the quantity units one to five, and is therefore a useful addition for small children's areas.



Order No. 4.24240 Duck Family



Order No. 4.24240 Duck Family



Order No. 4.24240 Duck Family



Order No. 4.24260 Chicken Family

Fundamental characteristics

- Child proportions according to ergonomic requirements
- Careful use of colours
- Unique design
- Use of wood for visual perception
- Incentive for playing: mother-child-situation, small-big, coloured holding grips and connecting ropes
- Movement: moving one's centre of gravity, sitting, crawling, pushing, gentle up and down movement of duck and chicken mother

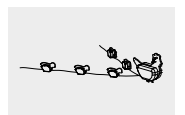
Recommended for

- Children under 3 years
- Kindergarten children
- Supervised play areas, such as kindergartens, schools, after-school programmes or similar
- Public play areas without supervision, such as playgrounds, parks or similar

**Duck Family
Chicken Family**



4.24240

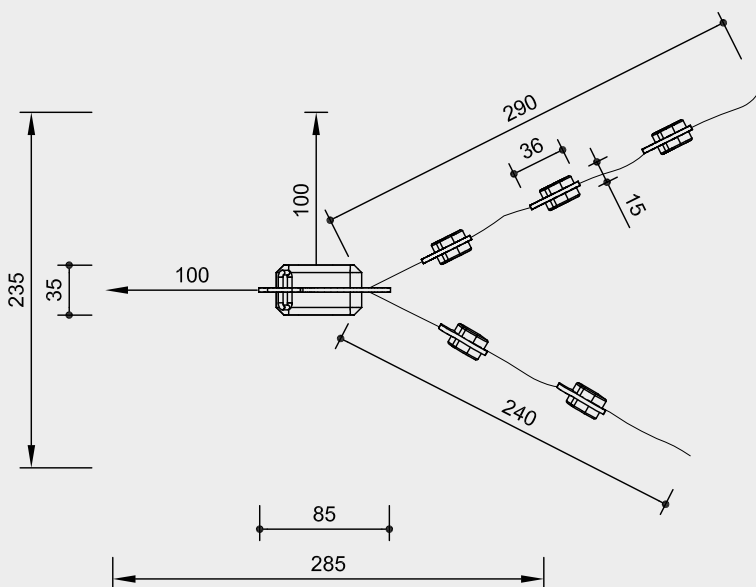


4.24260

**Order No. 4.24240
Duck Family**



**Order No. 4.24260
Chicken Family**



Scale 1:50

Safety check according to DIN EN 1176

Components

Order No. 4.24240 / 4.24260

- 1 Big animal mother with rocking mechanism
- 5 Ducklings, threaded on Richter Hercules type rope
- 1 Pre-fabricated foundation
- 2 Foundation timbers

Installation information

Surfacing requirements corresponding to a fall height of ≤ 0.60 m (please refer to price list for more detailed information)

Foundations

- 1 Pre-fabricated foundation made of concrete (delivered with equipment) Exavation 40 x 90 x 25 cm
- 2 Foundation timbers for digging in Exavation 10 x 60 x 40 cm

Recommendation

When installed in loose ground, the pre-fabricated concrete foundation should be covered durably, e.g. with safety tiles.

Attention:

Exact measurements may vary; for all installation dimensions refer to current assembly instructions.

Technical changes reserved.



4.24240



4.24260

Technical information

Equipment made of non-impregnated mountain larch

Core-free

Sawn-timbers core-free, thus decreasing occurrences of cracking and undesired changes in shape



Plywood

Plywood made of mountain larch, three-layer (3 cm) or five-layer (4 cm). High dimensional stability, waterproof, glued according to DIN EN 13353:2011



Richter Hercules type rope

Richter Hercules type rope, a combination of galvanised six-strand steel cables and polyester yarn, diameter > 20 mm, laid and glued with very good abrasion resistance, strong sheathing even in the case of damage by puncturing



For more detailed explanation of the quality characteristics see price list.

Rocking mechanism and fixings hot-dip galvanised

Foundation timbers made of oak wood

Colour

Colouring with solvent-free acrylic paints; the wood is processed in a way that allows the structure of the wood to remain clearly visible

Dimensions

(small deviations possible)

Order No. 4.24240 Duck Family

Order No. 4.24260 Chicken Family

Mother	
Length	0.85 m
Width	0.35 m
Sitting height	0.40 m
Kleine Küken	
Length	0.36 m
Width	0.15 m
Sitting height	0.20 m

Length total	3.35 m
Weight total	135 kg



Play value

The friendly look of the animal families gives a special atmosphere to a play area. This large play equipment allows for fun with movement, role play and understanding of the quantity units one to five, and is therefore a useful addition for small children's areas.

Fundamental characteristics

- Child proportions according to ergonomic requirements
- Unique design
- Use of wood for visual perception
- Incentive for playing: mother-child-situation, small-big, coloured holding grips and connecting ropes
- Movement: moving one's centre of gravity, sitting, crawling, pushing, rotating movement of mouse mother

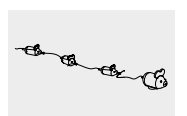
Recommended for

- Children under 3 years
- Supervised play areas, such as kindergartens, schools, after-school programmes or similar

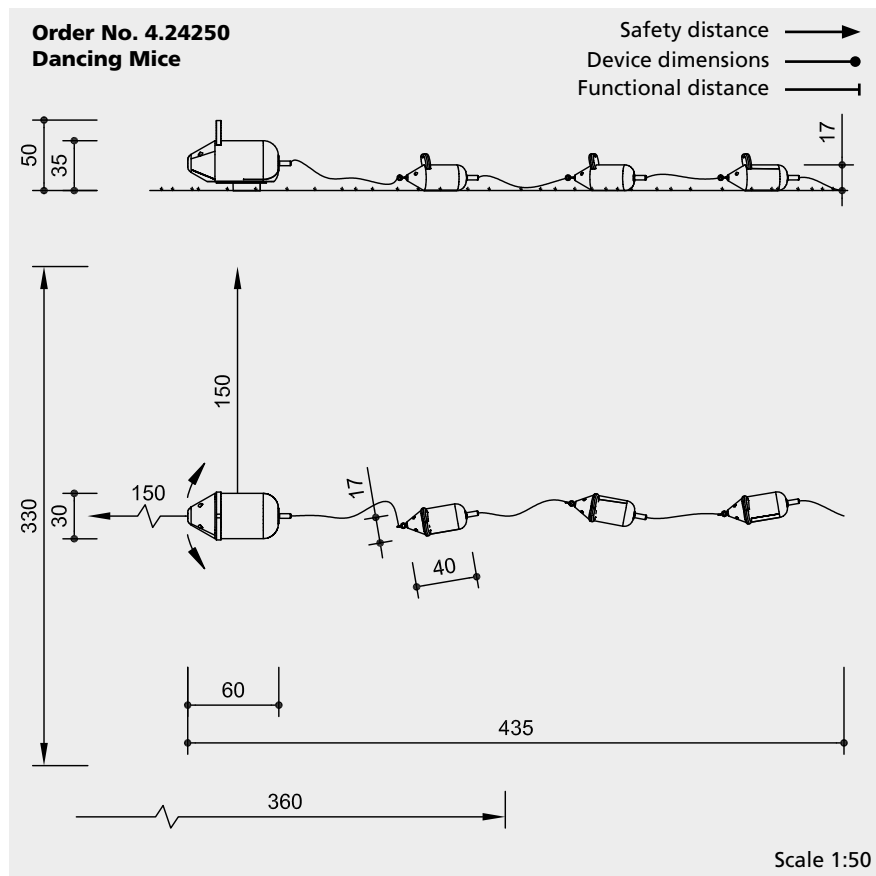


Special version, mice without colour

Dancing Mice



4.24250



Safety check according to DIN EN 1176

Components

- 1 Big mother with turning mechanism
- 3 Little mice, threaded on Richter Hercules type rope
- 1 Pre-fabricated foundation
- 1 Foundation timber

Installation information

Surfacing requirements as for critical fall height ≤ 0.60 m (please refer to price list for more detailed information)

Foundations

- 1 Pre-fabricated foundation made of concrete (delivered with equipment)
Excavation 40 x 90 x 20 cm
- 1 Foundation timbers for digging in
Excavation 10 x 60 x 40 cm

Recommendation

When installed in loose ground, the pre-fabricated concrete foundation should be covered durably, e.g. with safety tiles.

Attention:
Exact measurements may vary;
for all installation dimensions refer to current assembly instructions.
Technical changes reserved.

Technical information

Equipment made of non-impregnated mountain larch

Core-free

Sawn-timbers core-free, thus decreasing occurrences of cracking and undesired changes in shape



Laminated wood beams

Laminated wood beams made of non-impregnated larch, glued according to EN 14080:2013; for very large timber cross-sections; comparatively low shrinkage, almost completely free of cracks



Plywood

Plywood made of mountain larch, three-layer (3 cm) or five-layer (4 cm). High dimensional stability, waterproof, glued according to DIN EN 13353:2011



Richter Hercules type rope

Richter Hercules type rope, a combination of galvanised six-strand steel cables and polyester yarn, diameter > 20 mm, laid and glued with very good abrasion resistance, strong sheathing even in the case of damage by puncturing



Relief cut

Targeted relief cut as an effective measure against cracks caused by drying. The cut defines the position of the stress equalization in the trunk and minimises natural cracking



For more detailed explanation of the quality characteristics see price list.

Turning mechanism and fixings hot-dip galvanised

Foundation timbers of oak wood

Colour

Colouring with solvent-free acrylic paints; the wood is processed in a way that allows the structure of the wood to remain clearly visible

Dimensions

(small deviations possible)

Mother	
Length	0.60 m
Width	0.30 m
Sitting height	0.35 m
Small mice	
Length	0.40 m
Width	0.17 m
Sitting height	0.17 m
Length total	4.35 m
Weight total	130 kg



4.24250



Order No. 4.24270 Wobbly Sheep



Order No. 4.24273 Wobbly Wild Boar

Play value

The artist took hold of the subjects sheep and flock on different levels and abstracted it with flair. The thick, shaggy wool, the softly shaped ears and the gawky feet of a sheep are transposed as well as the patient and humble appearance which a sheep has while grazing. Even if the movement does not immediately bring to mind an association with sheep, the fine, wobbling of the body reflects the undulations of a walking flock. When standing in a group, these art objects evoke associations with flocks of sheep, unity in variety, and even - due to successful abstraction - one's relationship with nature. The sheep is equally suitable for an artistically designed play point in urban environments. In leisure areas, the animals can be used as amusing, alternative seats for young and old, which promote relaxation and ease by their movement. Children's spaces get an unmistakable identity from a flock of sheep.



Order No. 4.24274 Wobbly Calf

Fundamental characteristics

- Art Play
- Incentive for playing: friendly appearance, animal
- Movement: climbing, sitting, little wobble effect

Recommended for

- Supervised play areas, such as kindergartens, schools, after-school programmes or similar
- Public play areas without supervision, such as playgrounds, parks or similar

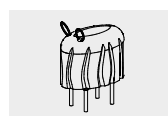
**Wobbly Sheep
Wobbly Wild Boar
Wobbly Calf**



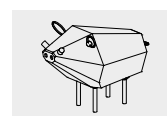
Order No. 4.24274 Wobbly Calf

© Richter Spielgeräte GmbH 06/22

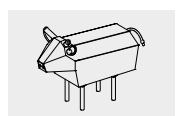
Design M. Lehner



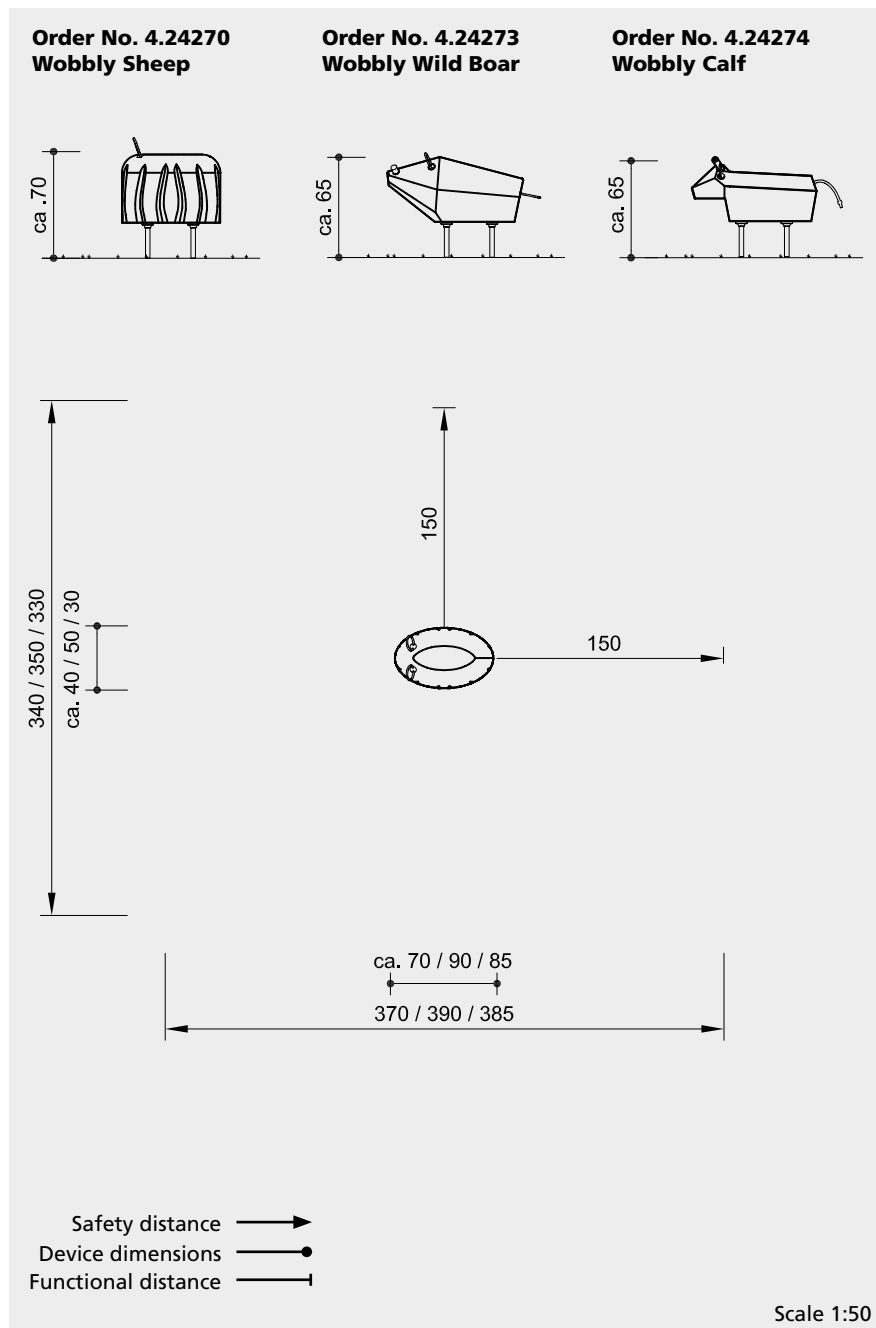
4.24270



4.24273



4.24274



Safety check according to DIN EN 1176

Components

1 Animal with wobbling mechanism, in various sizes, with ground anchor made of steel

Installation information

Surfacing requirements corresponding to a fall height of ≤ 1.00 m (please refer to price list for more detailed information)

Foundations
Excavation depth for ground anchor 85 x 70 x 40 cm

Attention:
Exact measurements may vary; for all installation dimensions refer to current assembly instructions.
Technical changes reserved.

Technical information

Equipment made of solid poplar wood, worked on by hand, boiler pressure impregnated according to DIN 68800-3, use class 4

Richter Hercules type rope

Richter Hercules type rope, a combination of galvanised six-strand steel cables and polyester yarn, diameter > 20 mm, laid and glued with very good abrasion resistance, strong sheathing even in the case of damage by puncturing



Ground anchor

All parts used for anchoring to the ground are made of hot-dip galvanised steel or stainless steel



For more detailed explanation of the quality characteristics see price list.

Bearing: rubber-metal connection only intended for gentle movement

Dimensions

(every animal is unique, the indications of the measurements may vary)

Order No. 4.24270
Wobbly Sheep

Length	0.70 m
Height	0.70 m
Width	0.40 m
Weight	125 kg

Order No. 4.24273
Wobbly Wild Boar

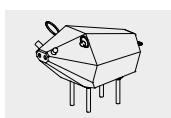
Length	0.90 m
Height	0.65 m
Width	0.50 m
Weight	140 kg

Order No. 4.24274
Wobbly Calf

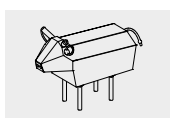
Length	0.85 m
Height	0.65 m
Width	0.30 m
Weight	100 kg



4.24270



4.24273



4.24274



Order No. 4.60170 Seal, concrete grey



Order No. 4.70070 Small Turtle, concrete grey

Play value

The gentle nature of these play and art figures and their quiet expressions create an atmosphere of peace which facilitates a friendly encounter with the animals. The stone animals are ideal to stroke, touch and feel or incorporated into role-play games. Play figures such as these strengthen the identity of an area.

Fundamental characteristics

- Child-oriented dimensions
- Natural colours
- High-quality design
- Completely dyed special concrete
- Incentive for playing: animals with a friendly appearance
- Movement: climbing, sitting, stroking

Recommended for

- Children under 3 years
- Kindergarten children
- Supervised play areas, such as kindergartens, schools, after-school programmes or similar
- Public play areas without supervision, such as playgrounds, parks or similar

Barrier-free

- Independent play

Note

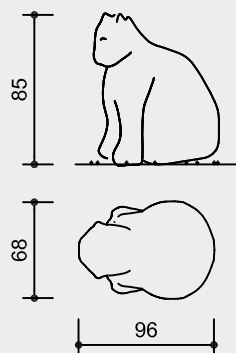
Original colours and surface structure may deviate from the colours in the pictures.

Stroking Stones

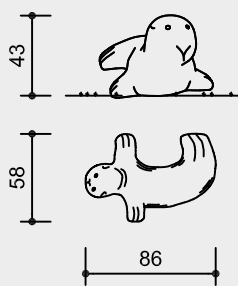


4.60010 - 4.65070

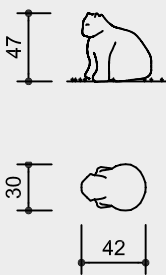
Order No.
4.60010 - 4.60070
Big Sitting Cat



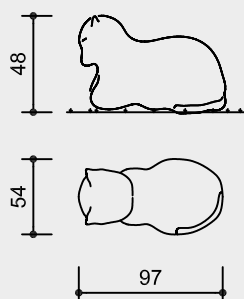
Order No.
4.60110 - 4.60170
Seal



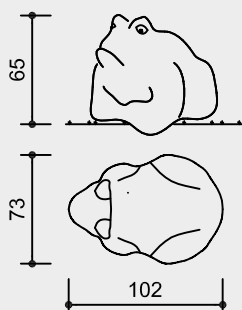
Order No.
4.61010 - 4.61070
Small Resting Cat



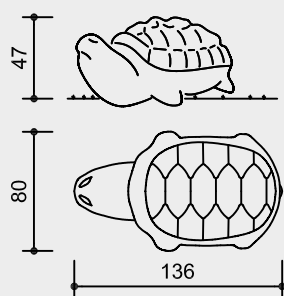
Order No.
4.62010 - 4.62070
Resting Cat



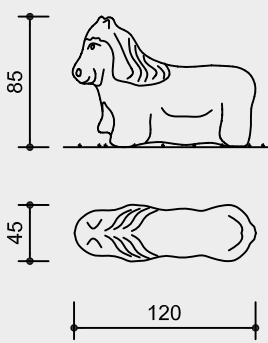
Order No.
4.63010 - 4.63070
Frog



Order No.
4.64010 - 4.64070
Turtle



Order No.
4.65010 - 4.65070
Pony



Safety distance →
Device dimensions —●—
Functional distance —|—

Scale 1:50

Safety check according to DIN EN 1176

Components

- 1 Stroking stone, packed in one box



4.60010 - 4.65070

Technical information

All Stroking Stones are made of special concrete, which is completely dyed before processing. After the concrete has cured, the surface is given a stone-like finish in a further processing step. Slight irregularities and the formation of bubbles can occur when processing concrete due to conditions of production. The colour examples displayed should be understood as approximate values. Discolorations and shading are possible. Moreover, slight lime bloom cannot be entirely ruled out.

Standard colours



Colour samples are for guidance only, the actual colours will be slightly different!

Dimensions

(small deviations possible)

Order No.	Height	Width	Length
4.60010 ff.	0.85 m	0.68 m	0.96 m
4.60110 ff.	0.43 m	0.58 m	0.86 m
4.61010 ff.	0.47 m	0.30 m	0.42 m
4.62010 ff.	0.48 m	0.54 m	0.97 m
4.63010 ff.	0.65 m	0.73 m	1.02 m
4.64010 ff.	0.47 m	0.80 m	1.36 m
4.65010 ff.	0.85 m	0.45 m	1.20 m

Order No.	Weight (without box)
4.60010 ff.	570 kg
4.60110 ff.	115 kg
4.61010 ff.	75 kg
4.62010 ff.	325 kg
4.63010 ff.	440 kg
4.64010 ff.	519 kg
4.65010 ff.	450 kg

Installation information

Surfacing requirements
firm and level
Recommendation:
circumferential operational space 1.00 m

Foundations
Foundations are usually not necessary for the big animals due to their heavy weight. If required, threaded bushes have been cast into the underside of all stroking stones for the purpose of installation. Due to the heavy weight of the animals, it must be possible to access the location by means of lifting equipment.

Attention:
Exact measurements may vary; for all installation dimensions refer to current assembly instructions.
Technical changes reserved.

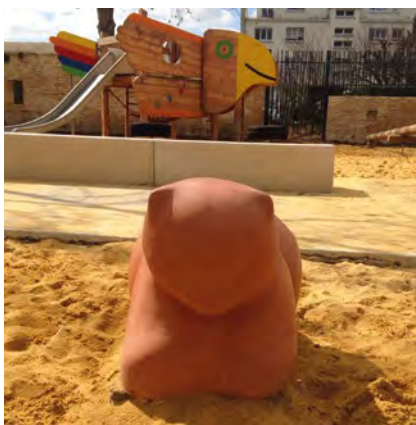


Order No. 4.74070 Snail, concrete gray



Order No. 4.66060 Dog, charcoal

Note
Original colours and surface structure may deviate from the colours in the pictures.



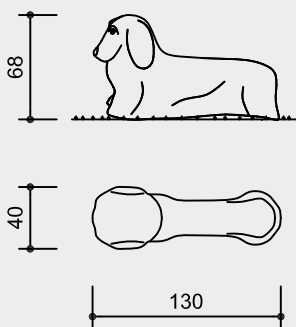
Order No. 4.62010 Resting Cat, brown

Stroking Stones

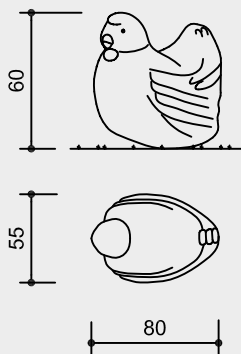


4.66010 - 4.74070

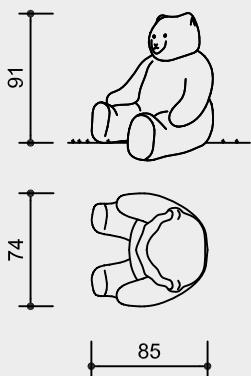
Order No.
4.66010 - 4.66070
Dog



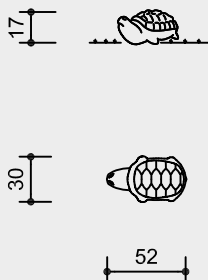
Order No.
4.68010 - 4.68070
Chicken



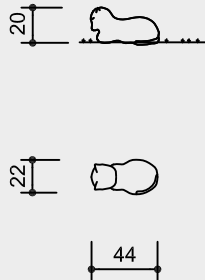
Order No.
4.69010 - 4.69070
Bear



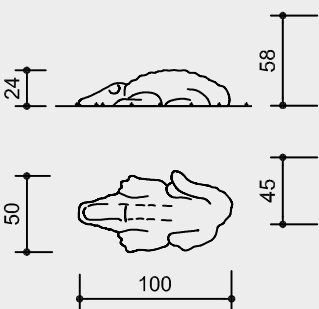
Order No.
4.70010 - 4.70070
Small Turtle



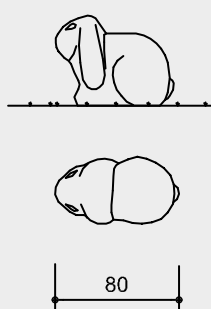
Order No.
4.71010 - 4.71070
Small Sitting Cat



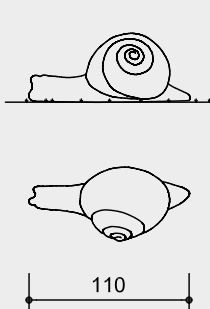
Order No.
4.72010 - 4.72070
Small Crocodile



Order No.
4.73010 - 4.73070
Lop-eared Rabbit



Order No.
4.74010 - 4.74070
Snail



Safety distance →
Device dimensions —●—
Functional distance —|—

Scale 1:50

Safety check according to DIN EN 1176

Components

- 1 Stroking stone, packed in one box



4.66010 - 4.74070

Technical information

All Stroking Stones are made of special concrete, which is completely dyed before processing. After the concrete has cured, the surface is given a stone-like finish in a further processing step. Slight irregularities and the formation of bubbles can occur when processing concrete due to conditions of production. The colour examples displayed should be understood as approximate values. Discolorations and shading are possible. Moreover, slight lime bloom cannot be entirely ruled out.

Standard colours



Colour samples are for guidance only, the actual colours will be slightly different!

Dimensions

(small deviations possible)

Order No.	Height	Width	Length
4.66010 ff.	0,68 m	0,40 m	1,30 m
4.68010 ff.	0,60 m	0,55 m	0,80 m
4.69010 ff.	0,91 m	0,74 m	0,85 m
4.70010 ff.	0,17 m	0,30 m	0,52 m
4.71010 ff.	0,20 m	0,22 m	0,44 m
4.72010 ff.	0,24 m	0,50 m	1,00 m
4.73010 ff.	0,58 m	0,45 m	0,80 m
4.74010 ff.	0,45 m	0,48 m	1,10 m

Order No.	Weight (without box)
4.66010 ff.	450 kg
4.68010 ff.	300 kg
4.69010 ff.	580 kg
4.70010 ff.	50 kg
4.71010 ff.	22 kg
4.72010 ff.	125 kg
4.73010 ff.	300 kg
4.74010 ff.	225 kg

Installation information

Surfacing requirements
firm and level
Recommendation:
circumferential operational space 1.00 m

Foundations
Foundations are usually not necessary for the big animals due to their heavy weight. If required, threaded bushes have been cast into the underside of all stroking stones for the purpose of installation. Due to the heavy weight of the animals, it must be possible to access the location by means of lifting equipment.

Attention:
Exact measurements may vary; for all installation dimensions refer to current assembly instructions.
Technical changes reserved.



Play value

The child-friendly design of the off-road vehicle immediately invites children to play. Based on a real large off-road vehicle, children can try out driving, move the steering wheel, the petrol canister and several buttons or explore the tyres. Big and small explorers can hold on tight to the sturdy frame, climb in and out and immerse themselves in role play to their heart's content.

Fundamental characteristics

- Friendly appearance
- Child-friendly dimensions
- Emotionally evocative design
- Natural wooden surfaces for tactile sensory appeal
- Play impulse: role-playing game
- Movement: climbing, exploring by touch

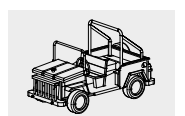
Recommended for

- School children
- Supervised play areas, such as kindergartens, schools, after-school programmes or similar
- Public play areas without supervision, such as playgrounds, parks or similar
- Private play areas without supervision, such as campsites or similar




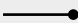
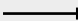
Off-road Vehicle

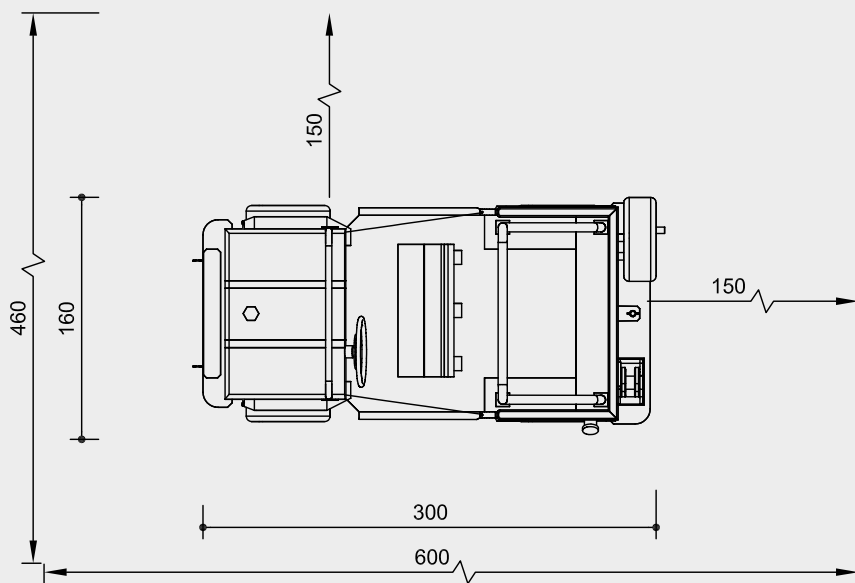
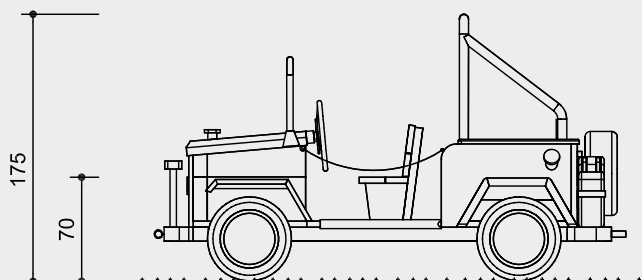
© Richter Spielgeräte GmbH 06/22



7.79100

Order No. 7.79100
Off-road Vehicle

Safety distance 
Device dimensions 
Functional distance 



Scale 1:50

Safety check according to DIN EN 1176

Components

- 1 Off-road Vehicle complete with 4 steel feet

Installation information

Surfacing requirements corresponding to a fall height of ≤ 1.00 m (please refer to price list for more detailed information)

Foundations
2 items 60 x 120 x 40 cm
Excavation depth 60 cm

Attention:
Exact measurements may vary;
for all installation dimensions refer to current assembly instructions.
Technical changes reserved.

Technical information

Equipment made of non-impregnated mountain larch

Core-free

Sawn-timbers core-free, thus decreasing occurrences of cracking and undesired changes in shape



Tongue and groove

Tongue and groove planks made of 4 cm solid wood, highly resilient, no trickling of dust / sand, protection against direct rain



Plywood

Plywood made of mountain larch, three-layer (3 cm) or five-layer (4 cm). High dimensional stability, waterproof, glued according to DIN EN 13353:2011



Ground anchor

All parts used for anchoring to the ground are made of hot-dip galvanized steel or stainless steel



Chains

Chains made of hot-dip galvanized steel (1.4301 / 1.4571 at extra charge) welded before galvanising, short-linked, without eyelets on the connecting parts, easy to exchange and shorten

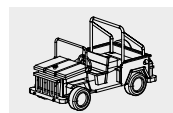


For more detailed explanation of the quality characteristics see price list.

Dimensions

(small deviations possible)

Height	1.75 m
Length	3.00 m
Width	1.60 m
Weight	525 kg



7.79100

Sand and Water

Sand Play
Water Play

P. 217 - 242
P. 243 - 326

Play value

Our little Sand Play Ship is both a sand box and a sailing ship. Big and small can slip into the role of pirates, sailors and captains and, at the same time, play, build sandcastles and play at baking in the sand in the hull. Not only can the sail be used as a sunshade, it also serves as a cover for the sand box. Even in the snow our little ship is fun.



Order No. 4.07601 Sand Play Ship with Sails

Fundamental characteristics

- Child-oriented dimensions
- Natural wooden surface which appeals to the senses
- Emotionally appealing design
- Friendly appearance
- Sunshade
- Incentive for playing: Role-playing games

Recommended for

- Children under 3 years
- Kindergarten children
- Supervised play areas, such as kindergartens, schools, after-school Programmes or similar
- Public play areas without supervision, such as playgrounds, parks or similar

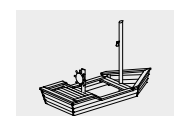
Attention:

Sand Play Ship with Sails only suitable for supervised areas!

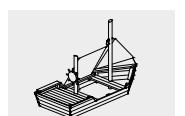
Barrier-free

- With a carer
- Independent play

**Sand Play Ship
Sand Play Ship with Sails**



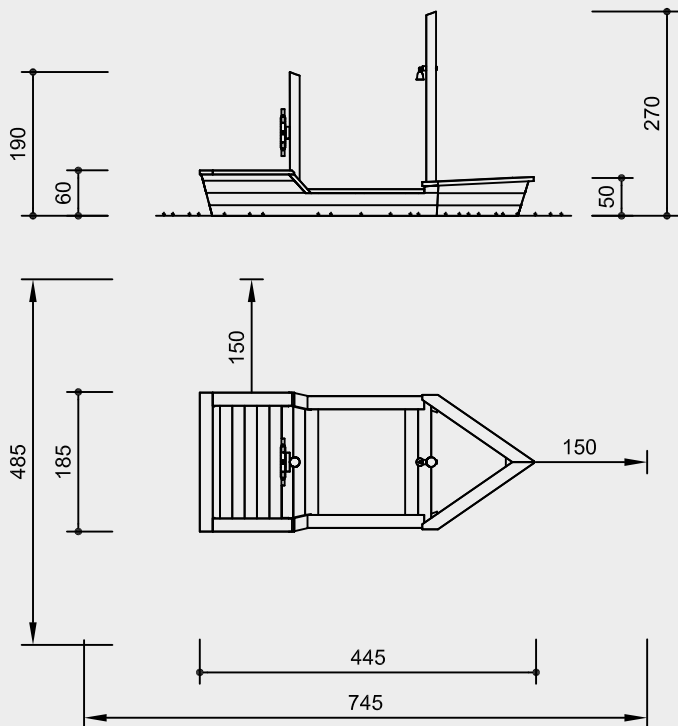
4.07501



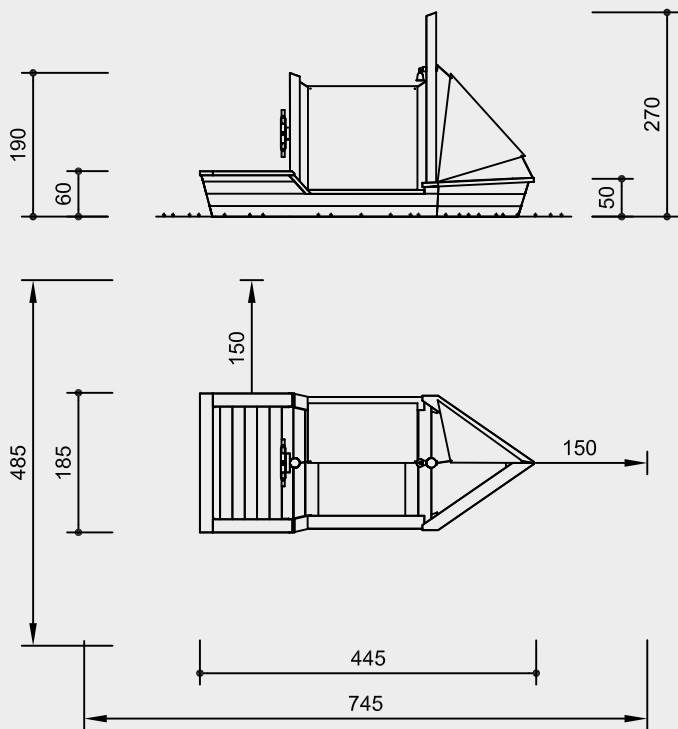
4.07601

Order No. 4.07501
Sand Play Ship

Safety distance →
Device dimensions ●
Functional distance —



Order No. 4.07601
Sand Play Ship with Sails



Scale 1:100

Safety check according to DIN EN 1176

Attention:
Exact measurements may vary;
for all installation dimensions refer
to current assembly instructions.
Technical changes reserved.



4.07501



4.07601

Technical information

Equipment made of non-impregnated mountain larch

Peeled white

Palisades peeled white means that bark, cambium and sapwood are removed, the natural shape of the trunk is preserved and can be experienced



Bevel cut

Vertical stand posts with bevelled end grain section as constructive wood preservation measure



Core-free

Sawn-timbers core-free, thus decreasing occurrences of cracking and undesired changes in shape



Ground anchor

All parts used for anchoring to the ground are made of hot-dip galvanised steel or stainless steel



Chains

Chains made of hot-dip galvanized steel (1.4301 / 1.4571 at extra charge) welded before galvanising, short-linked, without eyelets on the connecting parts, easy to exchange and shorten



For more detailed explanation of the quality characteristics see price list.

Fittings hot-dip galvanised
Bell made of brass

Order No. 4.07601
Sand Play Ship with Sails

Sail made of weatherproof plastic fabric (PVC)

Dimensions

(small deviations possible)

Height	2.70 m
Seat height	0.60 m
Length	4.45 m
Width	1.85 m
Weight	600 kg

Components

Order No. 4.07501
Sand Play Ship

- 1 Ship's hull
- 2 Masts
- 1 Steering wheel
- 3 Shovels with chain
- 1 Bell

Order No. 4.07601
Sand Play Ship with Sails

As before but in addition with 2 sails

Installation information

Surfacing requirements corresponding to a fall height of ≤ 0.60 m (please refer to price list for more detailed information)
Sand is required for correct functioning.

Foundations
1 items 60 x 60 x 40 cm
Excavation depth 80 cm

Play value

Playing with sand has a very stimulating quality, which is why it should not be missing from any small children's area. And if there is also water available children can splash and mix away, make sandcastles and "bake cakes". The additional sun awning can be lowered and used as a cover for the sandpit.



Order No. 4.24309 Awning / Sand Box cover



Order No. 4.24305 Sand Box



Fundamental characteristics

- Child-oriented dimensions
- Natural wooden surface which appeals to the senses

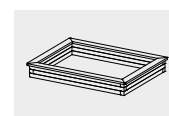
Recommended for

- Children under 3 years
- Kindergarten children
- Supervised play areas, such as kindergartens, schools, after-school programmes or similar
- Public play areas without supervision, such as playgrounds, parks or similar

Barrier-free

- With a carer
- Independent play

**Sand Box
Awning / Sand Box cover**



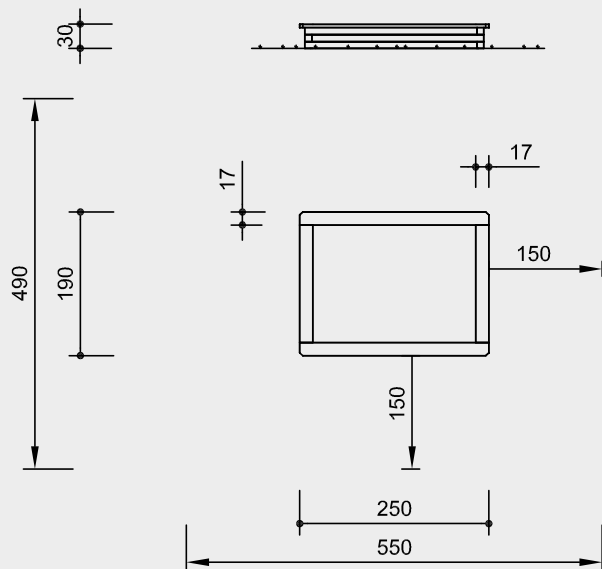
4.24305



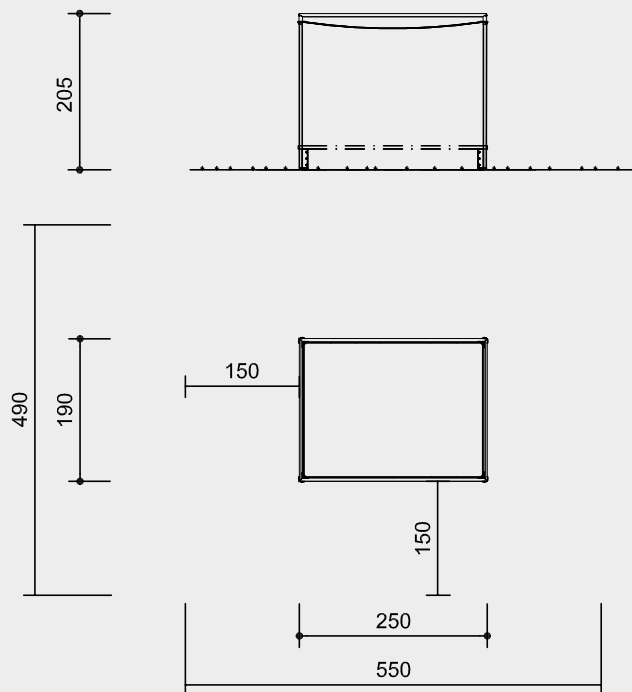
4.24309

Order No. 4.24305
Sand Box

Safety distance 
Device dimensions 
Functional distance 

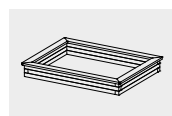


Order No. 4.24309
Awning / Sand Box cover



Scale 1:100

Safety check according to DIN EN 1176



4.24305



4.24309

Technical information

Order No. 4.24305
Sand Box

Equipment made of non-impregnated mountain larch

Core-free

Sawn-timbers core-free, thus decreasing occurrences of cracking and undesired changes in shape



Ground anchor

All parts used for anchoring to the ground are made of hot-dip galvanised steel or stainless steel



For more detailed explanation of the quality characteristics see price list.

Order No. 4.24309
Awning / Sand Box cover

Awning with rectangles, made of mesh fabric, standard colour grey, UV resistant
Frame made of V2A, glass bead blasted

Dimensions

(small deviations possible)

Order No. 4.24305
Sand Box

Height	0.30 m
Length	2.50 m
Width	1.90 m
Weight	160 kg

Order No. 4.24309
Awning / Sand Box cover

Height	2.05 m
Length	2.50 m
Width	1.90 m
Weight	approx. 55 kg

Components

Order No. 4.24305
Sand Box

- 1 Sand box
- 2 Ground anchors

Order No. 4.24309
Awning / Sand Box cover

- 1 Awning incl. fastening material
- 4 Steel tubes
- 1 Frame

Installation information

Surfacing requirements
no requirements
Sand is required for correct functioning.

Foundations
(only necessary in order to immobilise the equipment)
2 ground anchors are included for fastening in the ground.

Attention:
Exact measurements may vary;
for all installation dimensions refer to current assembly instructions.
Technical changes reserved.



Photo © Daniel Perales

Play value

The Sand Snake is not just an enclosure for a sand pit, but also serves as a surface for playing and "baking", or as an alternative bench which can be balanced upon. Shaped like a big animal, the Sand Snake is an artistic design element which, coupled with its versatility, makes it a very special decorative object for any playground or adventure area.

Fundamental characteristics

- High-quality design
- Natural wooden surface which appeals to the senses
- Due to modular system, the direction of the snake can be changed
- Incentive for playing: big head with ears, smooth play and seating surface
- Movement: balancing, climbing, touching it



Photo © Daniel Perales



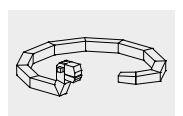
Sand Snake

Recommended for

- Children under 3 years
- Kindergarten children
- Supervised play areas, such as kindergartens, schools, after-school programmes or similar
- Public play areas without supervision, such as playgrounds, parks or similar



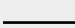
© Richter Spielgeräte GmbH 06/22

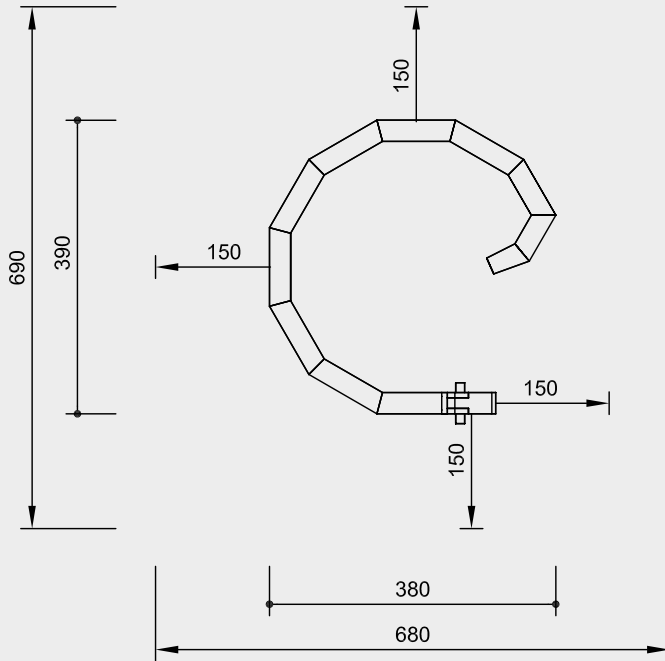
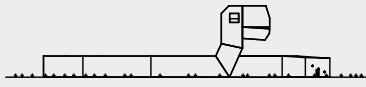
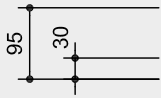
Design F. Schellb



5.00001

Order No. 5.00001
Sand Snake

Safety distance 
Device dimensions 
Functional distance 



Scale 1:100

Safety check according to DIN EN 1176

Components

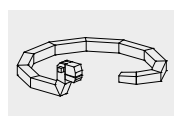
- 1 Head
- 1 Shuttering for the head foundation
- 7 Body elements
- 1 Tail
- 3 Foundation irons

Installation information

Surfacing requirements corresponding to a fall height of ≤ 1.00 m (please refer to price list for more detailed information)
Sand is required for correct functioning.

Foundations
1 item 100 x 50 x 60 cm
Excavation depth 60 cm
1 item 40 x 40 x 20 cm
Excavation depth 40 cm

Attention:
Exact measurements may vary; for all installation dimensions refer to current assembly instructions.
Technical changes reserved.
Equipment also available made of laminated beams for hot regions (Order No. 5.00005).



5.00001

Technical information

Equipment made of non-impregnated mountain larch, cross section 28 / 28 cm

Ground anchor

All parts used for anchoring to the ground are made of hot-dip galvanised steel or stainless steel



Relief cut

Targeted relief cut as an effective measure against cracks caused by drying. The cut defines the position of the stress equalization in the trunk and minimises natural cracking



For more detailed explanation of the quality characteristics see price list.

Dimensions

(small deviations possible)

Height	0.30 m
Height of head	0.95 m
Length	3.80 m
Width	3.90 m
Weight	650 kg

Play value

The caterpillar is a friendly play offer for small children. The harmonious appearance of the figure and the way in which it is possible to play from both sides offer a lively and pleasant basis for smaller playing spaces. The space partitions promote communicative play, but also make it possible to create borders and divisions of the play areas. Alongside there are many different sand play offers such as sand shovel, sand dump, sieve, turntable, baking table and sand channels.



© Richter Spielgeräte GmbH 06/22

Fundamental characteristics

- Friendly appearance
- Sand play area
- Peepholes

Recommended for

- Children under 3 years
- Kindergarten children
- Supervised play areas, such as kindergartens, schools, after-school programmes or similar
- Public play areas without supervision, such as playgrounds, parks or similar

Planning information

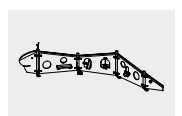
The angles of the opposing wall elements and their number can be freely selected to a great extent. Both spread-out as well as more compact floor plans can be constructed. By freely selecting and arranging the individual elements, it is possible to carry out planning according to your requirements. The elements can also be used as partitioning play units without caterpillar head and tail.

Note

In the standard version, only the head and tail use colour in their design. The elements installed in between are also available with coloured trims at extra charge.

Caterpillar Type 01

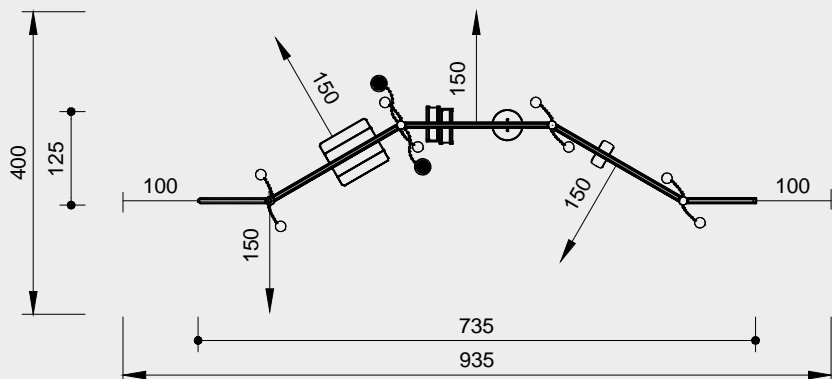
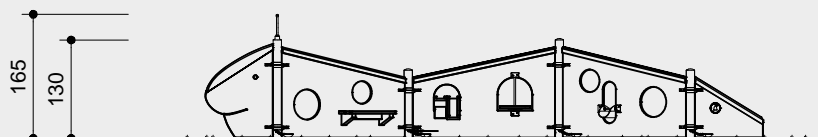
Design F. Dorband / K. H. Thiele



5.00010

Order No. 5.00010
Caterpillar Type 01

Safety distance →
Device dimensions ●
Functional distance —



Scale 1:100

Safety check according to DIN EN 1176

Components

- 1 Head with horns
- 1 Element: baking table with 2 sand sieves and 4 shovels with chain
- 1 Element: sand see-saw and 2 shovels with chain
- 1 Element: turntable, two-way channel and 2 shovels with chain
- 1 Tail with a bell
- 4 Steel posts for dowelling and 4 heavy duty anchors

Installation information

Surfacing requirements corresponding to a fall height of ≤ 0.60 m (please refer to price list for more detailed information)

Foundations
4 items 50 x 50 x 40 cm
Excavation depth 60 cm
2 items 30 x 30 x 30 cm
Excavation depth 50 cm

Attention:
Exact measurements may vary;
for all installation dimensions refer to current assembly instructions.
Technical changes reserved.

Technical information

Equipment made of non-impregnated mountain larch

Core-free

Sawn-timbers core-free, thus decreasing occurrences of cracking and undesired changes in shape



Tongue and groove

Tongue and groove planks made of 4 cm solid wood, highly resilient, no trickling of dust / sand, protection against direct rain



Plywood

Plywood made of mountain larch, three-layer (3 cm) or five-layer (4 cm). High dimensional stability, waterproof, glued according to DIN EN 13353:2011



Richter Hercules type rope

Richter Hercules type rope, a combination of galvanised six-strand steel cables and polyester yarn, diameter > 20 mm, laid and glued with very good abrasion resistance, strong sheathing even in the case of damage by puncturing



Aluminium rope pressing

Aluminium rope pressing, cylindrically pressed, with rounded ends



Ground anchor

All parts used for anchoring to the ground are made of hot-dip galvanised steel or stainless steel



Chains

Chains made of hot-dip galvanized steel (1.4301 / 1.4571 at extra charge) welded before galvanising, short-linked, without eyelets on the connecting parts, easy to exchange and shorten



For more detailed explanation of the quality characteristics see price list.

Posts and sand sieves made of stainless steel, glass bead blasted

Sand container made of textile-reinforced rubber belt, 8 mm thick

Bell made of brass

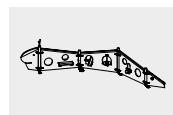
Colour

Colouring with solvent-free acrylic paints: the wood is processed in a way that allows the structure of the wood to remain clearly visible

Dimensions

(small deviations possible)

Height	1.65 m
Height of head	1.30 m
Length of the element	
Head	1.00 m
Middle part	each 2.00 m
Tail	1.00 m
Weight	250 kg



5.00010

Play value

The caterpillar is a friendly play offer for small children. The harmonious appearance of the figure and the way in which it is possible to play from both sides offer a lively and pleasant basis for smaller playing spaces. The space partitions promote communicative play, but also make it possible to create borders and divisions of the play areas. This caterpillar type is equipped with an awning and an opportunity for role-playing games such as "kitchen". The latter can also be fitted with a water connection via a garden hose.



© Richter Spielgeräte GmbH 06/22

Fundamental characteristics

- Friendly appearance
- Kitchen
- Awning

Only for supervised areas!

Recommended for

- Children under 3 years
- Kindergarten children
- Supervised play areas, such as kindergartens, schools, after-school programmes or similar

Planning information

The angles of the opposing wall elements and their number can be freely selected to a great extent. Both spread-out as well as more compact floor plans can be constructed. By freely selecting and arranging the individual elements, it is possible to carry out planning according to your requirements. The elements can also be used as partitioning play units without caterpillar head and tail.

Note

In the standard version, only the head and tail use colour in their design. The element installed in between is also available with a coloured trim at extra charge.

Caterpillar Type 03

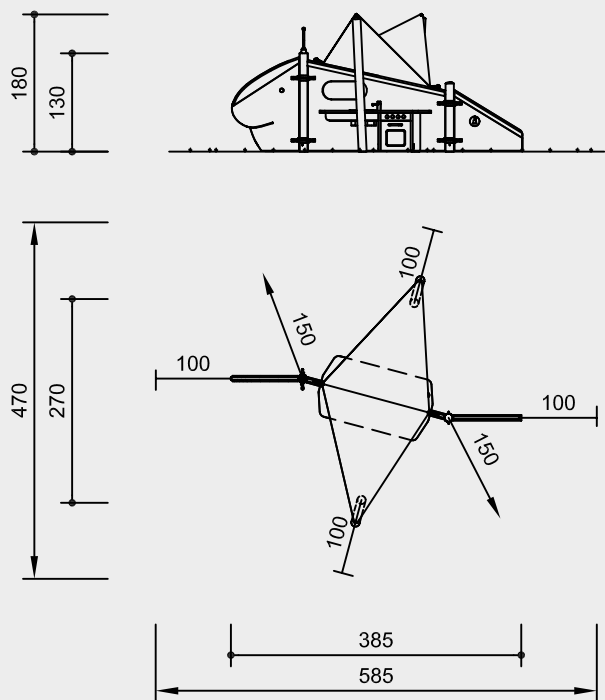


5.00020

Design F. Dorband / K. H. Thiele

**Order No. 5.00020
Caterpillar Type 03**

Safety distance →
Device dimensions ●
Functional distance —



Scale 1:100

Safety check according to DIN EN 1176

Components

- 1 Head with horns
- 1 Element: kitchen
- 1 Tail with bell
- 1 Awning
- 4 Steel posts for dowelling and 4 heavy duty anchors

Installation information

Surfacing requirements corresponding to a fall height of ≤ 0.60 m (please refer to price list for more detailed information)

Foundations
2 items 50 x 50 x 40 cm
Excavation depth 60 cm
2 items 60 x 60 x 60 cm
Excavation depth 80 cm
2 items 30 x 30 x 30 cm
Excavation depth 50 cm

Attention:
Exact measurements may vary;
for all installation dimensions refer to current assembly instructions.
Technical changes reserved.

Technical information

Equipment made of non-impregnated mountain larch

Core-free

Sawn-timbers core-free, thus decreasing occurrences of cracking and undesired changes in shape



Plywood

Plywood made of mountain larch, three-layer (3 cm) or five-layer (4 cm). High dimensional stability, waterproof, glued according to DIN EN 13353:2011



Richter Hercules type rope

Richter Hercules type rope, a combination of galvanised six-strand steel cables and polyester yarn, diameter > 20 mm, laid and glued with very good abrasion resistance, strong sheathing even in the case of damage by puncturing



Aluminium rope pressing

Aluminium rope pressing, cylindrically pressed, with rounded ends



Ground anchor

All parts used for anchoring to the ground are made of hot-dip galvanised steel or stainless steel



For more detailed explanation of the quality characteristics see price list.

Posts made of stainless steel, glass bead blasted

Bell made of brass

Awning diamond shaped, made of 100 % acrylic, Fluorocarbon finishing with Teflon, lower side PU-coated, colour dark blue

Kitchen cooking plate with stove top optic, 2 sieves made of stainless steel, sink made of stainless steel, knobs made of PE, sill cock with self-closing valve, quick connector for garden hose

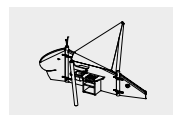
Colour

Colouring with solvent-free acrylic paints; the wood is processed in a way that allows the structure of the wood to remain clearly visible

Dimensions

(small deviations possible)

Height	1.80 m
Height of head	1.30 m
Length of the element	
Head	1.00 m
Middle part	2.00 m
Tail	1.00 m
Weight	200 kg



5.00020

Play value

The caterpillar is a friendly play offer for small children. The harmonious appearance of the figure and the way in which it is possible to play from both sides offer a lively and pleasant basis for smaller playing spaces. The space partitions promote communicative play, but also make it possible to create borders and divisions of the play areas. This caterpillar type is equipped with a turntable, a two-way channel and shovels.



© Richter Spielgeräte GmbH 06/22

Caterpillar Type 04

Fundamental characteristics

- Friendly appearance
- Sand play equipment

Recommended for

- Children under 3 years
- Kindergarten children
- Supervised play areas, such as kindergartens, schools, after-school programmes or similar
- Public play areas without supervision, such as playgrounds, parks or similar

Planning information

The angles of the opposing wall elements and their number can be freely selected to a great extent. Both spread-out as well as more compact floor plans can be constructed. By freely selecting and arranging the individual elements, it is possible to carry out planning according to your requirements. The elements can also be used as partitioning play units without caterpillar head and tail.

Note

In the standard version, only the head and tail use colour in their design. The element installed in between is also available with a coloured trim at extra charge.

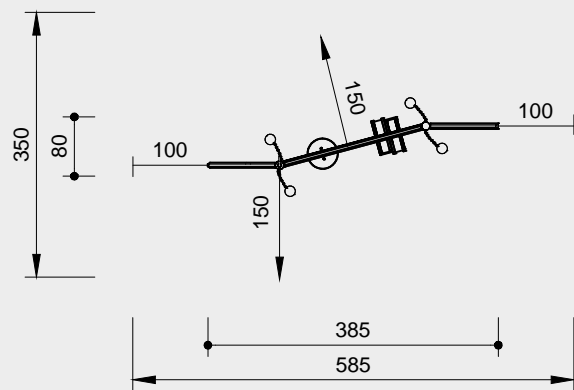
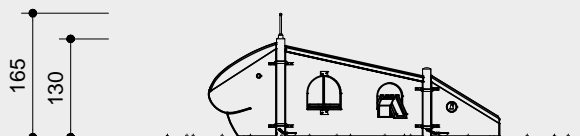
Design F. Dorband / K. H. Thiele



5.00025

Order No. 5.00025
Caterpillar Type 04

Safety distance →
Device dimensions ●
Functional distance —



Scale 1:100

Safety check according to DIN EN 1176

Components

- 1 Head with horns
- 1 Element: turntable, two-way channel and 4 shovels with chain
- 1 Tail with bell
- 2 Steel posts for dowelling and 2 heavy duty anchors

Installation information

Surfacing requirements corresponding to a fall height of ≤ 0.60 m (please refer to price list for more detailed information)

Foundations
2 items 50 x 50 x 40 cm
Excavation depth 60 cm
2 items 30 x 30 x 30 cm
Excavation depth 50 cm

Attention:
Exact measurements may vary;
for all installation dimensions refer
to current assembly instructions.
Technical changes reserved.

Technical information

Equipment made of non-impregnated mountain larch

Core-free

Sawn-timbers core-free, thus decreasing occurrences of cracking and undesired changes in shape



Plywood

Plywood made of mountain larch, three-layer (3 cm) or five-layer (4 cm). High dimensional stability, waterproof, glued according to DIN EN 13353:2011



Richter Hercules type rope

Richter Hercules type rope, a combination of galvanised six-strand steel cables and polyester yarn, diameter > 20 mm, laid and glued with very good abrasion resistance, strong sheathing even in the case of damage by puncturing



Aluminium rope pressing

Aluminium rope pressing, cylindrically pressed, with rounded ends



Ground anchor

All parts used for anchoring to the ground are made of hot-dip galvanised steel or stainless steel



Chains

Chains made of hot-dip galvanized steel (1.4301 / 1.4571 at extra charge) welded before galvanising, short-linked, without eyelets on the connecting parts, easy to exchange and shorten



For more detailed explanation of the quality characteristics see price list.

Posts made of stainless steel, glass bead blasted

Bell made of brass

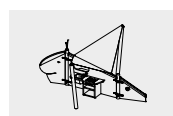
Colour

Colouring with solvent-free acrylic paints; the wood is processed in a way that allows the structure of the wood to remain clearly visible

Dimensions

(small deviations possible)

Height	1.65 m
Height of head	1.30 m
Length of the element	
Head	1.00 m
Middle part	2.00 m
Tail	1.00 m
Weight	150 kg



5.00025

Play value

Children love to imitate the world of grown-ups and the lively activity on a building site is particularly attractive. With its range of different elements, our Transport System offers a wealth of opportunities for role playing. Conveyor tracks, re-loading stations, container wagons, cranes, hoists and shovels enable children-friendly "construction work", promote cooperation and creativity and stimulate cognitive processes.



Photo © Ross Gilmore



Photo © Tristan Filippone

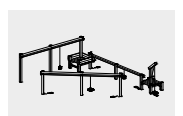
Transport System

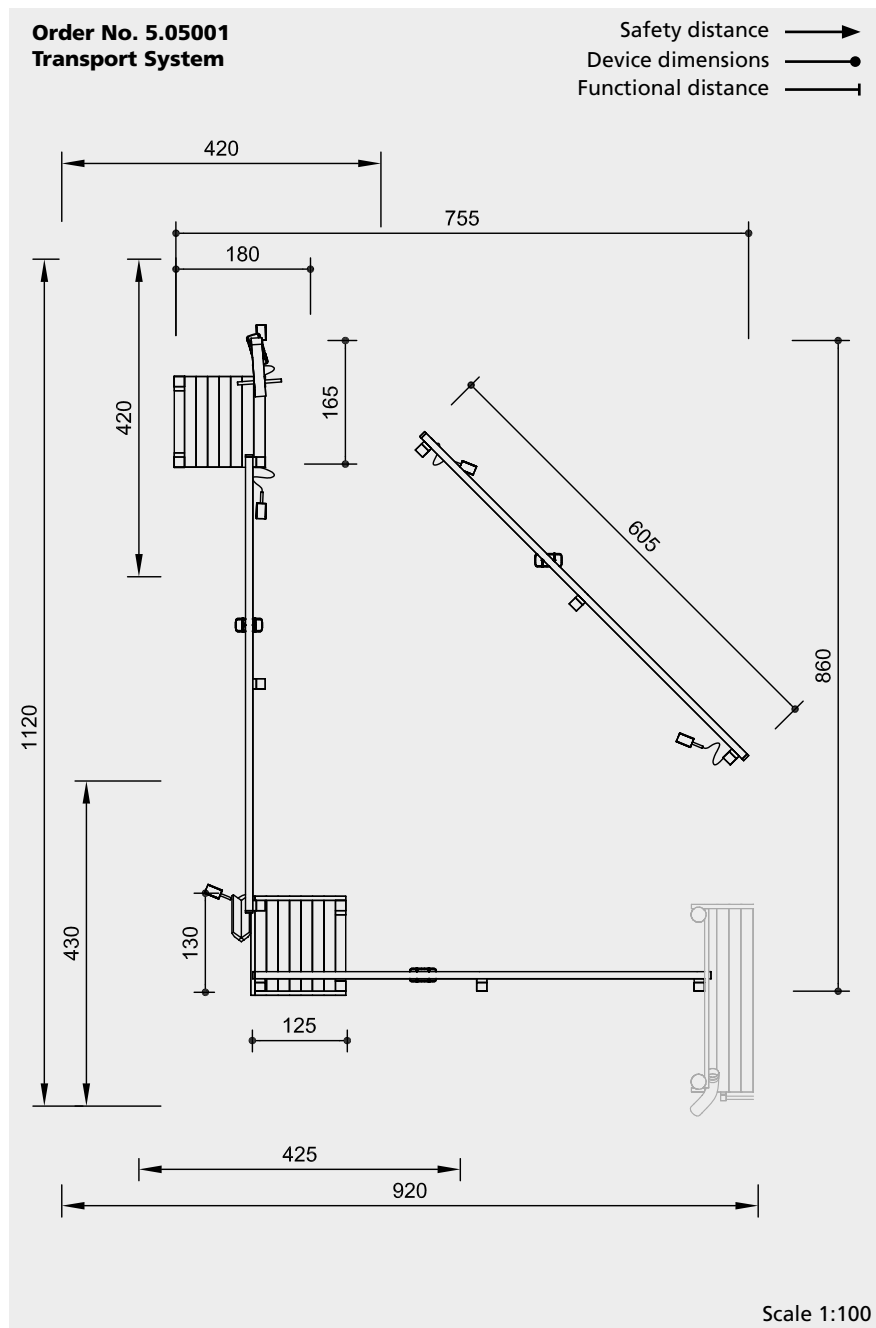
Fundamental characteristics

- Use of natural wood which appeals to the senses
- Can be combined with other equipment
- Incentive for playing: hoisting, pouring, moving and reloading material

Recommended for

- School children
- Public play areas without supervision, such as playgrounds, parks or similar
- Swimming pools without supervision, such as outdoor pools, adventure pools or similar
- Leisure areas





Safety check according to DIN EN 1176

Components

- 3 Transport rails
- 6 Stand posts with steel feet
- 3 Tyre segments,
2 shovels with chain
- Sand Platform with Channel**
- 1 Pedestal with step,
balustrade on 3 sides and steel feet
- 1 Sand chute
- 1 Shovel with chain
- Sand Platform with Crane**
- 1 Pedestal with step and steel feet
- 1 Crane
- 2 Shovels with chain

Installation information

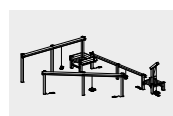
corresponding to a fall height of ≤ 0.60 m (please refer to price list for more detailed information)

Play sand is required for correct functioning.

Foundations

- Transport Rails**
- 6 items 50 x 50 x 60 cm
Excavation depth 80 cm
- Sand Platforms**
- 8 items 50 x 50 x 50 cm
Excavation depth 70 cm

Attention:
Exact measurements may vary;
for all installation dimensions refer
to current assembly instructions.
Technical changes reserved.



5.05001

Technical information

Equipment made of non-impregnated mountain larch

Bevel cut

Vertical stand posts with bevelled end grain section as constructive wood preservation measure



Core-free

Sawn-timbers core-free, thus decreasing occurrences of cracking and undesired changes in shape



Tongue and groove

Tongue and groove planks made of 4 cm solid wood, highly resilient, no trickling of dust / sand, protection against direct rain



Laminated wood beams

Laminated wood beams made of non-impregnated larch, glued according to EN 14080:2013; for very large timber cross-sections; comparatively low shrinkage, almost completely free of cracks



Ground anchor

All parts used for anchoring to the ground are made of hot-dip galvanised steel or stainless steel



Chains

Chains made of hot-dip galvanized steel (1.4301 / 1.4571 at extra charge) welded before galvanising, short-linked, without eyelets on the connecting parts, easy to exchange and shorten



For more detailed explanation of the quality characteristics see price list.

Transport rails galvanised, with rubber buffer

Container wagon with hand protection

Sand container made of textile-reinforced rubber belt, 8 mm thick

Sand crane, revolving 350°, axially connected to post, with maintenance-free turning mechanism

Dimensions

(small deviations possible)

Transport Rails

Heights 1.25 / 1.75 / 2.30 m
Length each 6.00 m

Sand Platforms

Pedestal height 0.60 m
Side length 1.30 x 1.25 m
Weight 420 kg

Play value

Sand Transport Systems are part of a building site. Conveyor tracks, cranes, sand hoists and other elements, enable children to mimic work processes realistically. Insights are awakened through play. In combination with a Building Site the experience is deepened, creativity and co-operation are promoted.

Fundamental characteristics

- Child proportions according to ergonomic requirements
- Natural wooden surface which appeals to the senses
- High-quality design
- Comprehensible technical details
- Communication and cooperation are promoted
- Incentive for playing: crane, travelling crabs, long tracks
- Movement: physical effort, pushing

Recommended for

- Kindergarten children
- School children
- Supervised play areas such as kindergartens, schools, after-school programmes or similar
- Public play areas without supervision such as playgrounds, parks or similar



Order No. 5.06200 Type II

Sand Transport System for attachment

Components

Order No. 5.06100

Sand Transport System Type I

Order No. 5.06200

Sand Transport System Type II

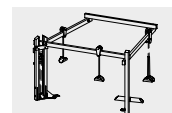
- 1 Support frame with steel feet and sand hoist
- 1 Middle support post with steel foot
- 3 Conveyor tracks
- 1 Connection to base equipment
- 1 Travelling crab with double sand hoist
- 2 Travelling crabs with 1 sand container each
- 1 See-saw chute
- 2 Shovels with chain

in addition to

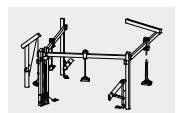
Order No. 5.06200

Sand Transport System Type II

- 1 End support with steel foot
- 1 Rotating beam with chute
- 1 Turning crane with sand hoist and steel foot
- 1 Shovel with chain

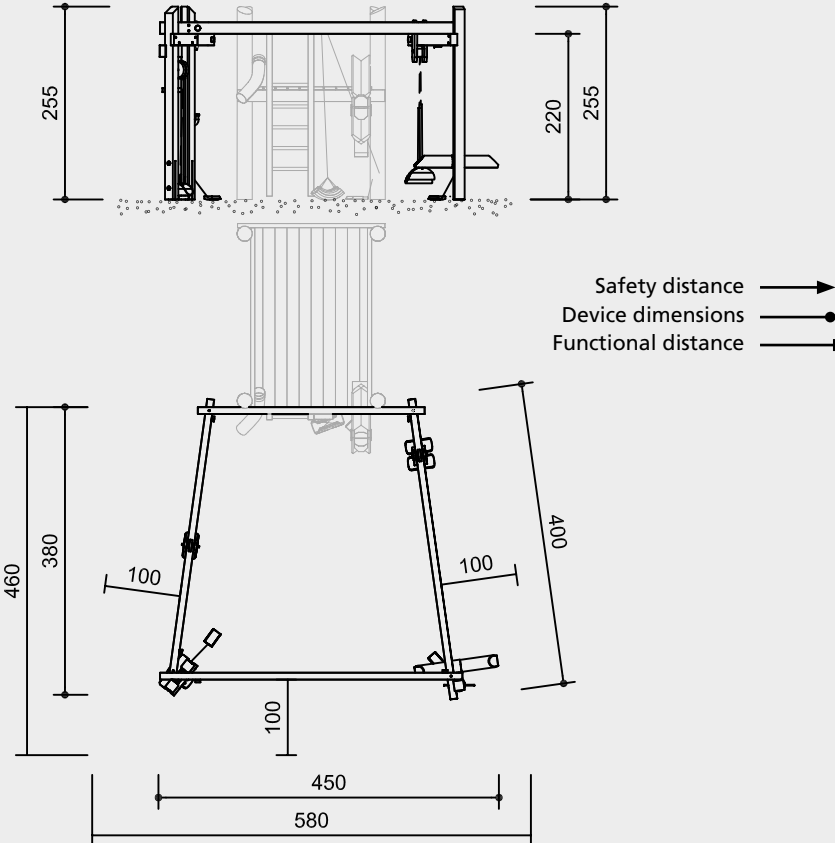


5.06100

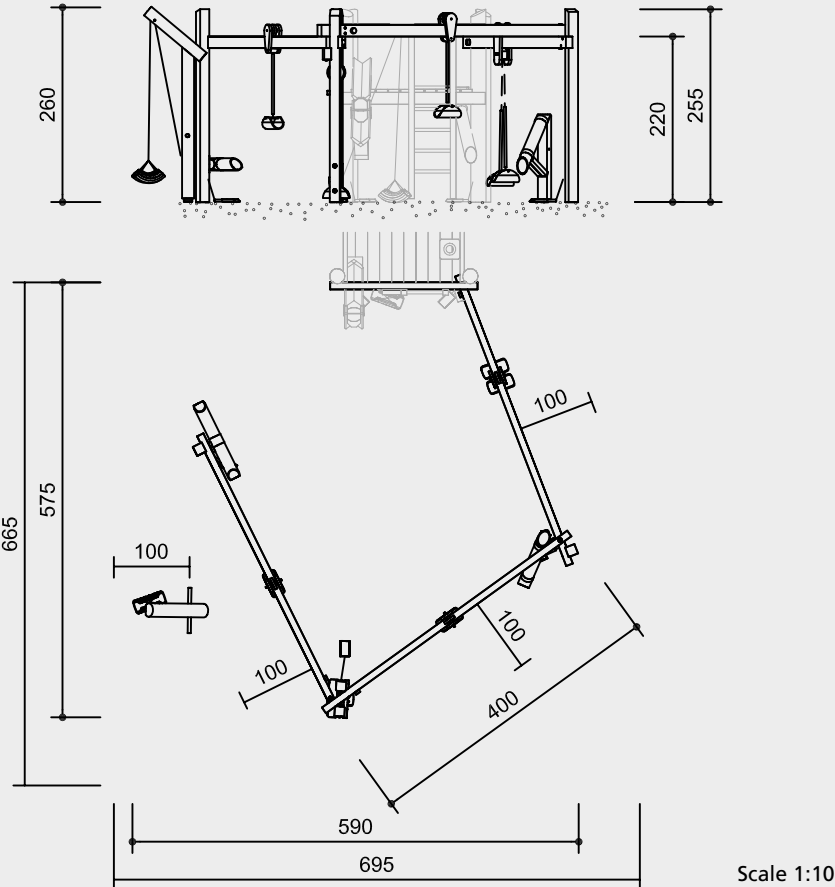


5.06200

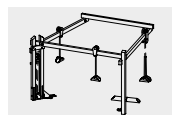
Order No. 5.06100 Sand Transport System Type I



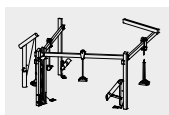
Order No. 5.06200 Sand Transport System Type II



Safety check according to DIN EN 1176



5.06100



5.06200

Attention:
Exact measurements may vary;
for all installation dimensions refer
to current assembly instructions.
 Technical changes reserved.

Technical information

Equipment made of non-impregnated mountain larch

Bevel cut

Vertical stand posts with bevelled end grain section as constructive wood preservation measure



Core-free

Sawn-timbers core-free, thus decreasing occurrences of cracking and undesired changes in shape



Ground anchor

All parts used for anchoring to the ground are made of hot-dip galvanised steel or stainless steel



Chains

Chains made of hot-dip galvanized steel (1.4301 / 1.4571 at extra charge) welded before galvanising, short-linked, without eyelets on the connecting parts, easy to exchange and shorten



Roller bearings

Roller bearings made of stainless steel for rotating elements, easy to maintain and exchange, sealed



For more detailed explanation of the quality characteristics see price list.

Sand container of textile-reinforced PAH-free rubber belt, 8 mm thick, suspended on hose sleeved chains

Chutes of plastic

Bearing of the chute with dampened impact

Sand crane and turning crane, revolving 350°, with maintenance free turning mechanism

Dimensions

(small deviations possible)

Order No. 5.06100	
Sand Transport System Type I	
Order No. 5.06200	
Sand Transport System Type II	
Height	2.55 m
Height sand crane	2.60 m
Length of conveyor tracks	4.00 m
Weight Type I	250 kg
Weight Type II	350 kg

Installation information

No surfacing requirements
 (please refer to pricelist for more detailed information)
 Sand is required for proper function

Foundations

Order No. 5.06100	
2 items 60 x 80 x 60 cm	
Excavation depth 80 cm	
Order No. 5.06200	
3 items 60 x 80 x 60 cm	
Excavation depth 80 cm	
2 items 60 x 60 x 60 cm	
Excavation depth 80 cm	



Play value

The play possibilities of the Small Building Site contain operations similar to the working world of adults which can be copied. The technical design is attracting and motivating, the work processes encourage communication and cooperation.



Small Building Site

Fundamental characteristics

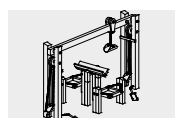
- Child proportions according to ergonomic requirements
- Natural wooden surface which appeals to the senses
- Attractive, clear design
- Technical appearance
- Play offers for several children
- Encouraging cooperation
- Incentive for playing: rollers with chains, sieve, shovels
- Movement: physical effort

Recommended for

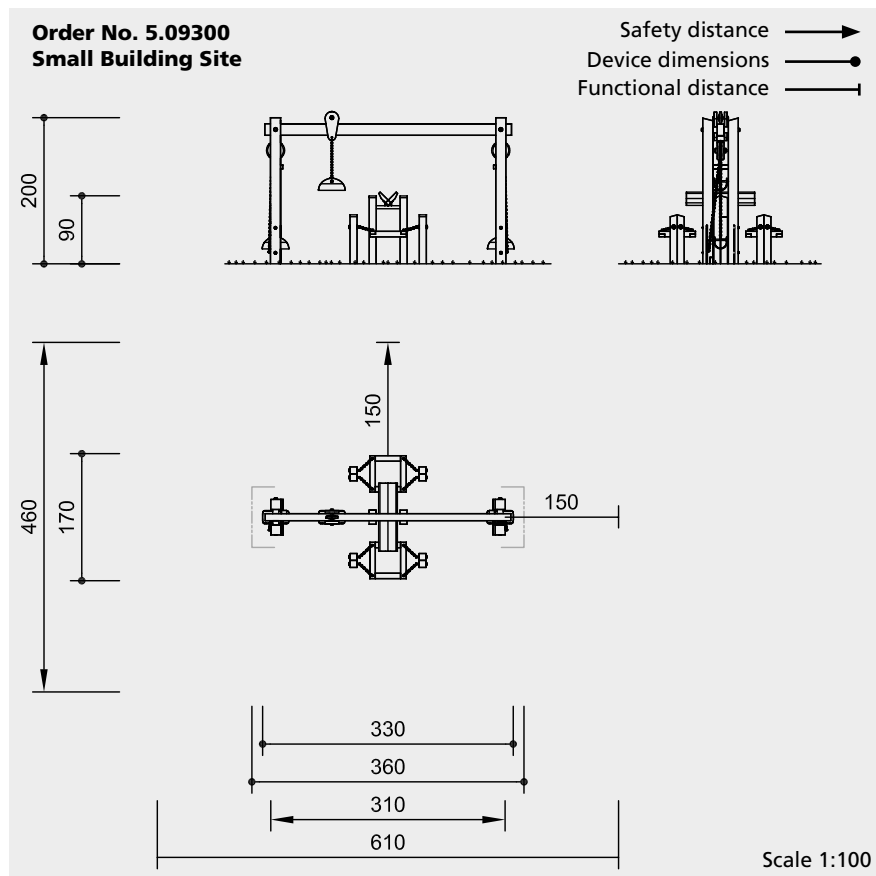
- Kindergarten children
- School children
- Supervised play areas, such as kindergartens, schools, after-school programmes or similar
- Public play areas without supervision, such as playgrounds, parks or similar

© Richter Spielgeräte GmbH 06/22

Design P. Hannes



5.09300



Safety check according to DIN EN 1176

Components

- 2 Support frames with steel feet and each 1 hoist with 1 shovel and chain
- 1 Transport rail with roller and sand container
- 1 Sieving device with see-saw and 2 sieves

Installation information

Surfacing requirements corresponding to a fall height of ≤ 0.60 m (please refer to price list for more detailed information)

Foundations

Transport frame

2 items 60 x 80 x 50 cm
Excavation depth 70 cm

Sand see-saw

1 item 60 x 60 x 40 cm
Excavation depth 60 cm

Sand sieves

4 items 50 x 40 x 40 cm
Excavation depth 60 cm

Attention:

Exact measurements may vary; for all installation dimensions refer to current assembly instructions.

Technical changes reserved.

Technical information

Equipment made of non-impregnated mountain larch

Bevel cut

Vertical stand posts with bevelled end grain section as constructive wood preservation measure



Core-free

Sawn-timbers core-free, thus decreasing occurrences of cracking and undesired changes in shape



Plywood

Plywood made of mountain larch, three-layer (3 cm) or five-layer (4 cm). High dimensional stability, waterproof, glued according to DIN EN 13353:2011



Profiled washer

Profiled washer for covering protruding screw heads according to standard, improved pressure distribution and protection against water. Impedes loosening the bolt



Adjustable

Adjustable two-piece bolt connection, easy to maintain, no projecting threads



Ground anchor

All parts used for anchoring to the ground are made of hot-dip galvanised steel or stainless steel



Chains

Chains made of hot-dip galvanized steel (1.4301 / 1.4571 at extra charge) welded before galvanising, short-linked, without eyelets on the connecting parts, easy to exchange and shorten



Roller bearings

Roller bearings made of stainless steel for rotating elements, easy to maintain and exchange, sealed



For more detailed explanation of the quality characteristics see price list.

Sieves made of stainless steel

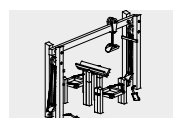
Sand container made of textile-reinforced rubber belt, 8 mm thick

Sand see-saw mounted on rubber torsion bushes

Dimensions

(small deviations possible)

Height	2.00 m
Height sand see-saw	0.90 m
Length	3.30 m
Width	1.70 m
Weight	300 kg



5.09300



Photo © Tristan Filippone

Play value

The Conveyor Track is particularly suited for small children due to its regular design and its clearly understandable functions. It doesn't require much force to move the containers. Rubber stoppers prevent the speed becoming uncontrollable. Installed stations allow for a correct dumping of the containers. Simple „points“ connect tracks running in different directions. The single elements can be combined to an individual installation. The Conveyor Track is a useful addition to the Small Building Site (Order No. 5.09300).

Fundamental characteristics

- Child proportions according to ergonomic requirements
- Use of natural wood which appeals to the senses
- High-quality design
- Comprehensible technical details
- Encourages communication and co-operation
- Incentive for playing: long tracks, points, container wagons
- Movement: physical effort, pushing

Recommended for

- Kindergarten children
- Supervised play areas, such as kindergartens, schools, after school programmes or similar
- Public play areas without supervision, such as playgrounds, parks or similar

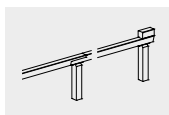


Photo © Tristan Filippone

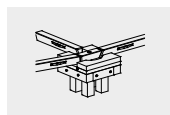
Conveyor Track



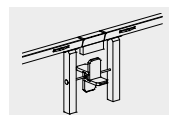
Photo © Tristan Filippone



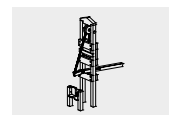
5.09415



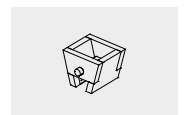
5.09440



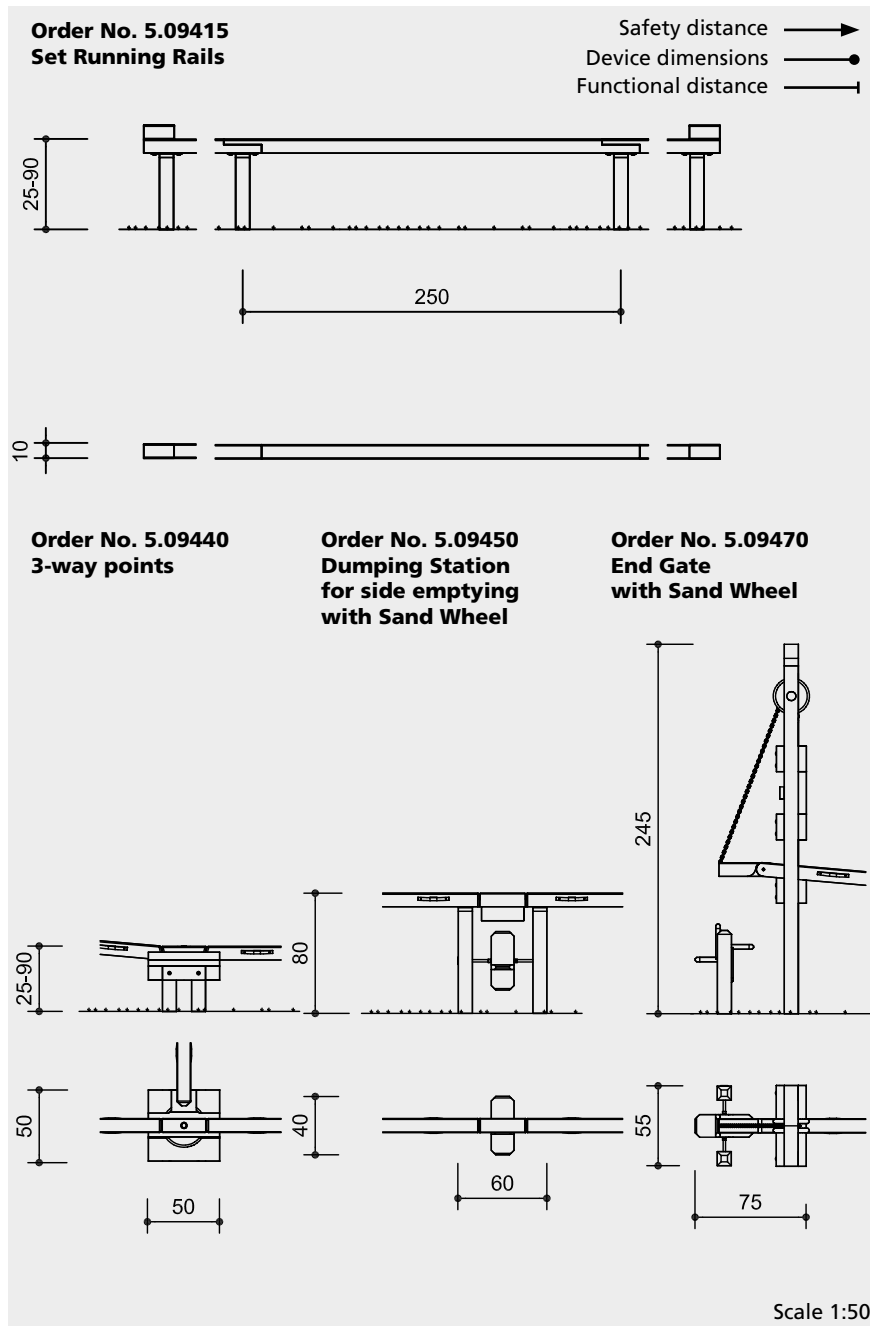
5.09450



5.09470



5.09492



Safety check according to DIN EN 1176

Components

- Order No. 5.09415**
15 Running metres running rails with stand posts, steel feet and 2 end stopper
- Order No. 5.09440**
1 3-way points with steel feet
- Order No. 5.09450**
1 Dumping station for side emptying with sand wheel and steel feet
- Order No. 5.09470**
1 End gate with sand wheel and steel feet
- Order No. 5.09492**
1 Container wagon

Installation information

Surfacing requirements
no fall height according to standard

At least 40 cm of sand are required for a proper function.

Foundations
size and number depend on the combination system

Attention:
Exact measurements may vary; for all installation dimensions refer to current assembly instructions.
Technical changes reserved.

Technical information

Equipment made of non-impregnated mountain larch

Core-free

Sawn-timbers core-free, thus decreasing occurrences of cracking and undesired changes in shape



Plywood

Plywood made of mountain larch, three-layer (3 cm) or five-layer (4 cm). High dimensional stability, waterproof, glued according to DIN EN 13353:2011



Sintered bush

For all reciprocating movements we use sintered plain bearings which are self-lubricating in use and can easily be exchanged if necessary



Ground anchor

All parts used for anchoring to the ground are made of hot-dip galvanised steel or stainless steel



Chains

Chains made of hot-dip galvanized steel (1.4301 / 1.4571 at extra charge) welded before galvanising, short-linked, without eyelets on the connecting parts, easy to exchange and shorten



For more detailed explanation of the quality characteristics see price list.

Tracks with trapezoidal profile 10/10 cm, with exchangeable sections
Stainless steel container wagons fitting with polyamide rollers, covered with wood, broken by rubber plates

Dimensions

(small deviations possible)

**Order No. 5.09415
Set Running Rails**

Length 2.50 m
Height max. 0.90 m
Weight depends on total construction

**Order No. 5.09440
3-way points**

Size 0.50 x 0.50 m
Height 0.25 - 0.90 m
Weight 60 kg

**Order No. 5.09450
Dumping Station for side emptying with Sand Wheel**

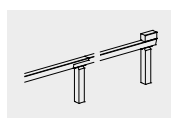
Length 0.60 m
Height 0.80 m
Weight 40 kg

**Order No. 5.09470
End Gate with Sand Wheel**

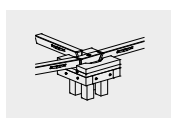
Height 2.45 m
Width 0.55 m
Height of track support 0.90 m
Height of sand wheel 0.55 m
Weight 140 kg

**Order No. 5.09492
Container Wagons**

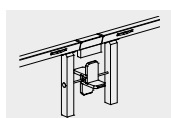
Size 0.25 x 0.25 m
Height 0.20 m
Weight 5 kg



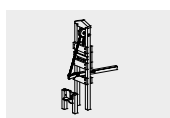
5.09415



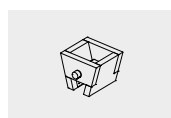
5.09440



5.09450



5.09470



5.09492



Play value

Our Sand Play Platform for wheelchair users provides creative playing possibilities reminiscent of elements of a construction process. The sand hoist, chute and sand pipe can be used for child-friendly construction work and to simulate a variety of work processes from the adult world. The design takes the special restricted mobility requirements into account, yet still allows access to the sand and mud. The ramp provides access to the platform on the same level.

Fundamental characteristics

- Sturdy design
- Variety of playing activities with a distinct
- Integrated nature
- Incentive for playing: sand, hoist
- Movement: physical effort

Recommended for

- School children
- Supervised play areas, such as kindergartens, schools, after-school programmes or similar
- Public play areas without supervision, such as playgrounds, parks or similar

Barrier-free

- Independent play



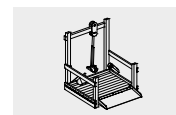
Sand Play Platform for wheelchair users



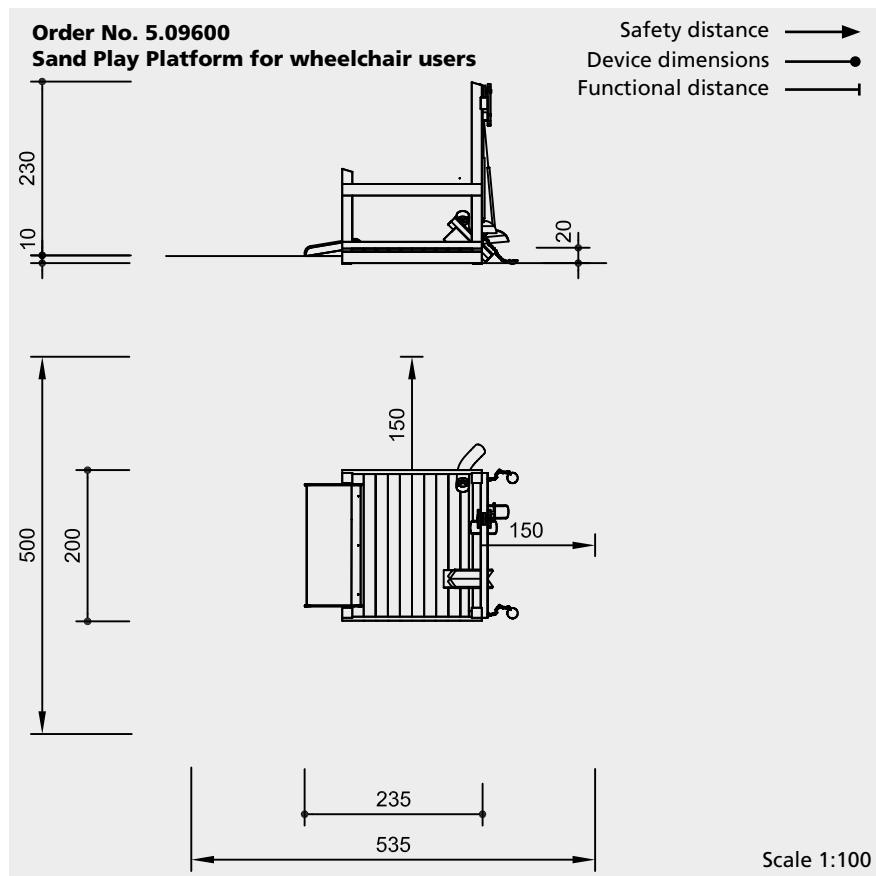
Special version with a longer ramp

Note

Coloured elements can be designed at an extra charge.



5.09600



Safety check according to DIN EN 1176

Components

- 1 Sand Play Platform with sand hoist, chute, sand pipe and ramp

Installation information

Surfacing requirements accessible with wheelchairs corresponding to a fall height of ≤ 0.60 m (please refer to price list for more detailed information)

Operational space
535 x 500 cm

Foundations
 4 items 60 x 60 x 60 cm
 Excavation depth 80 cm
 2 items 30 x 30 x 20 cm
 Excavation depth 40 cm

Additional equipment can be provided especially for wheelchair users upon request.

Attention:
Exact measurements may vary;
for all installation dimensions refer
to current assembly instructions.
 Technical changes reserved.

Technical information

Equipment made of non-impregnated mountain larch

Bevel cut

Vertical stand posts with bevelled end grain section as constructive wood preservation measure



Core-free

Sawn-timbers core-free, thus decreasing occurrences of cracking and undesired changes in shape



Tongue and groove

Tongue and groove planks made of 4 cm solid wood, highly resilient, no trickling of dust / sand, protection against direct rain



Profiled washer

Profiled washer for covering protruding screw heads according to standard, improved pressure distribution and protection against water. Impedes loosening the bolt



Ground anchor

All parts used for anchoring to the ground are made of hot-dip galvanised steel or stainless steel



Chains

Chains made of hot-dip galvanized steel (1.4301 / 1.4571 at extra charge) welded before galvanising, short-linked, without eyelets on the connecting parts, easy to exchange and shorten



For more detailed explanation of the quality characteristics see price list.

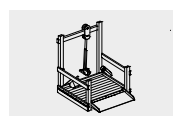
Sand container made of textile-reinforced rubber belt, 8 mm thick

Ramp made of stainless steel

Dimensions

(small deviations possible)

Total height	2.40 m
Height of platform	0.20 m
Length	2.35 m
Width	2.00 m
Weight	300 kg



5.09600

Play value

While playing, children imitate, with intensity, work operations that are part of the adult world. This works extremely well with excavators, in particular when water is nearby. When the earth around the excavator has been removed, the Small Excavator without foundation can be repositioned with the help of two adults. In public areas, the Small Excavator can be fixed to the ground with the included chain. Both excavators can be rotated on their own axis; the large one can also be slewed on a second axis in order to change its radius of movement.



Order No. 5.32000 Small Excavator, Photo © Anton Donikov



Order No. 5.30000 Large Excavator

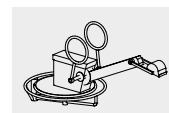
Fundamental characteristics

- Child proportions according to ergonomic requirements
- Effective technical details: the arms of both excavators are balanced by a counterweight, therefore even smaller children can move the load using their own strength; Both excavators can be rotated 360 degrees; adjustable rotation area; a brake installed underneath the large excavator is released when a person sits on the excavator
- Incentive for playing: lever arm, shovel
- Movement: physical effort

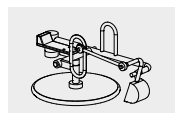
Recommended for

- Kindergarten children
- School children
- Supervised play areas, such as kindergartens, schools, after-school programmes or similar
- Public play areas without supervision, such as playgrounds, parks or similar

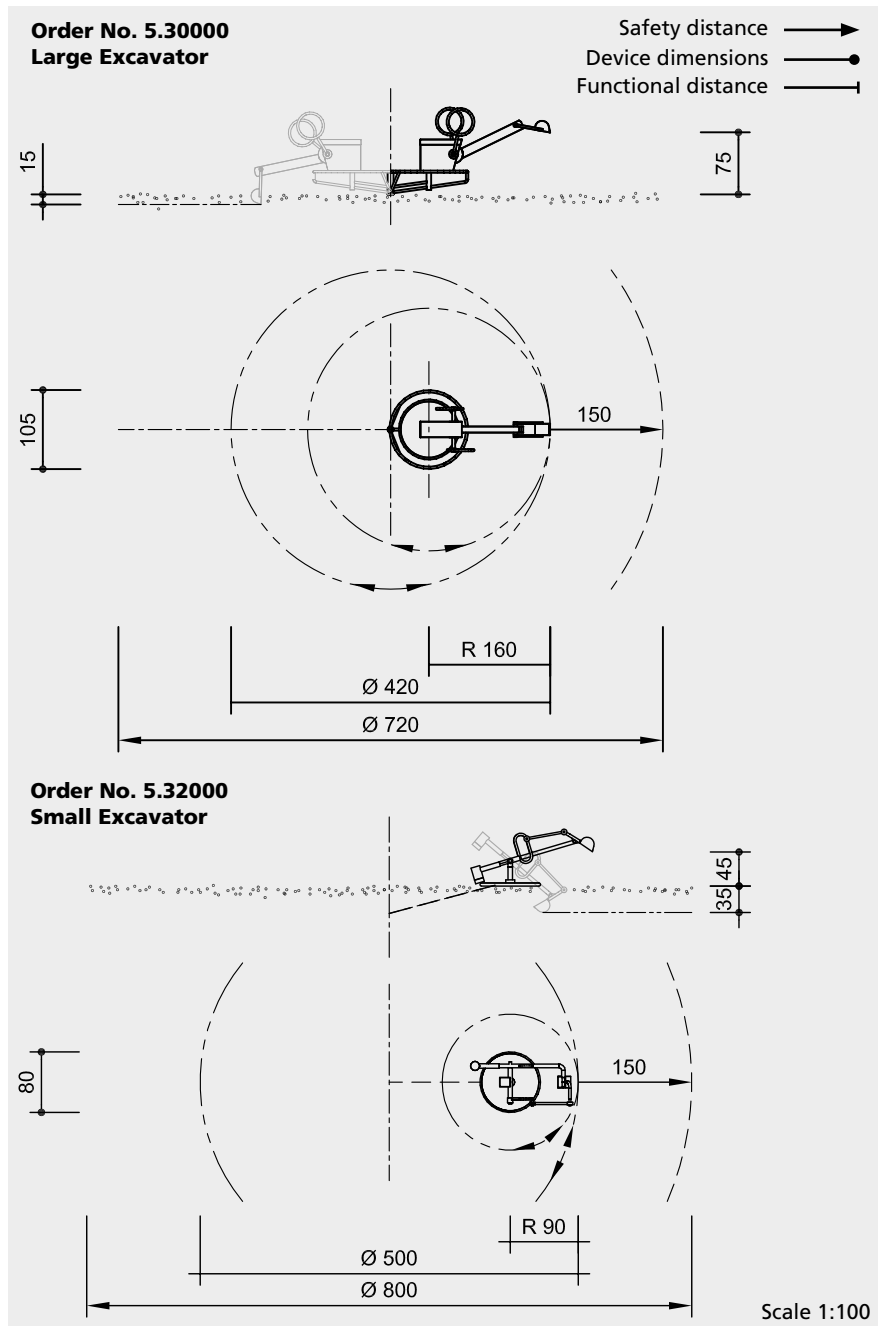
**Large Excavator
Small Excavator**



5.30000



5.32000



Safety check according to DIN EN 1176

Components

Order No. 5.30000

- Large Excavator**
 1 Large Excavator
 1 Foundation frame

Order No. 5.32000

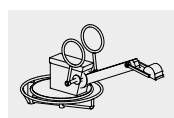
- Small Excavator**
 1 Small Excavator
 with hot-dip galvanised foundation
 chain and foundation iron

Installation information

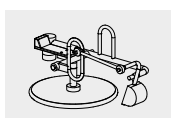
Surfacing requirements
 corresponding to a fall height of
Order No. 5.30000 ≤ 1.00 m
Order No. 5.32000 ≤ 0.60 m
 (please refer to price list for more
 detailed information)
 Sand surface is necessary

- Foundations**
Order No. 5.30000
Large Excavator
 1 item 60 x 60 x 50 cm
 Excavation depth 90 cm
Order No. 5.32000
Small Excavator
 1 item 40 x 40 x 40 cm
 Excavation depth 80 cm

Attention:
Exact measurements may vary;
for all installation dimensions refer
to current assembly instructions.
 Technical changes reserved.



5.30000



5.32000

Technical information

All construction parts made of hot-dip
 galvanised steel profiles

Sintered bush

For all reciprocating movements we
 use sintered plain bearings which are
 self-lubricating in use and can easily be
 exchanged if necessary



Ground anchor

All parts used for anchoring to the
 ground are made of hot-dip galvanised
 steel or stainless steel



Seat made of waterproof
 plywood 25 mm,
 with non-slip coating

Order No. 5.30000

- Large Excavator**
 Parking break unlocks with use

Order No. 5.32000

- Small Excavator**

Chains

Chains made of hot-dip galvanized
 steel (1.4301 / 1.4571 at extra charge)
 welded before galvanising, short-linked,
 without eyelets on the connecting parts,
 easy to exchange and shorten



**For more detailed explanation of the
 quality characteristics see price list.**

Dimensions

(small deviations possible)

Order No. 5.30000

- Large Excavator**
 Reach diameter 3.20 m
 With eccentric movement 4.20 m
 Weight 275 kg

Order No. 5.32000

- Small Excavator**
 Reach diameter 1.80 m
 Weight 70 kg



Photo © Anton Donikov

Play value

During play, children love to imitate movement patterns and work operations belonging to the adult world. Our Excavator with wheelchair access takes into account the special needs of those with restricted mobility yet offers the opportunity to experience shovelling activities. And if water is close by, the Excavator offers an especially intensive playing experience. Ground-level access to the Excavator is possible via a ramp. The side swivelling movement of the Excavator arm is controlled by a hand-wheel, while the shovel is steered using two hand levers installed at the left and right. With a radius of reach of 2.40 m, the Excavator enables access to an extensive play area.

Fundamental characteristics

- Improves body co-ordination
- Incentive for playing: pivoting, turning, shovelling
- Movement: physical effort

Recommended for

- Supervised play areas, such as schools, after-school programmes or similar

Barrier-free

- Independent play



Photo © Anton Donikov

Excavator with wheelchair access

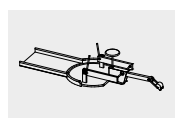
Planning information

Access to the equipment must be created according to the disability and the basics for barrier-free construction.




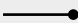
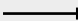
© Richter Spielgeräte GmbH 06/22

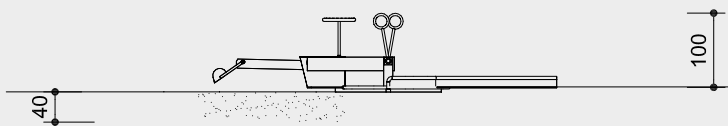
Design G. Beltzig



5.30100

Order No. 5.30100
Excavator with wheelchair access

Safety distance 
 Device dimensions 
 Functional distance 



Technical information

Equipment made of hot-dip galvanised steel profiles

Sintered bush

For all reciprocating movements we use sintered plain bearings which are self-lubricating in use and can easily be exchanged if necessary



Ground anchor

All parts used for anchoring to the ground are made of hot-dip galvanised steel or stainless steel



Roller bearings

Roller bearings made of stainless steel for rotating elements, easy to maintain and exchange, sealed

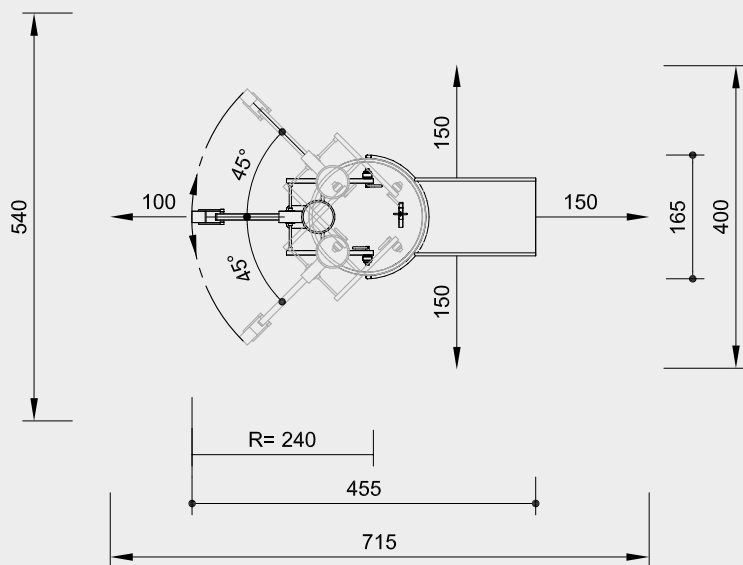


For more detailed explanation of the quality characteristics see price list.

Dimensions

(small deviations possible)

Radius of reach 2.40 m
 Swivel range 90°
 Weight 760 kg



Scale 1:100

Safety check according to DIN EN 1176

Components

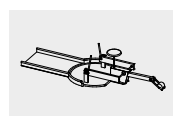
- 1 Excavator with wheelchair access

Installation information

Surfacing requirements corresponding to a fall height of ≤ 0.60 m (please refer to price list for more detailed information)

Foundations
 1 item 250 x 110 x 40 cm
 Excavation depth 95 cm

Attention:
Exact measurements may vary;
for all installation dimensions refer to current assembly instructions.
 Technical changes reserved.



5.30100

Play value

The Water Building Site is a versatile piece of play equipment which ensures intensive play with the elements of water, sand and earth, even in a small area. If there is a suction pump on the top platform, providing the workers with water, the game achieves another dimension and real work can take place.

Fundamental characteristics

- Child proportions according to ergonomic requirements
- Naturally shaped, de-barked posts and use of natural wood which appeals to the senses
- Technical construction evokes interest
- Versatile play offers for several children
- High play value on a limited space
- Incentive for playing: water, sand wheel, sand hoists, chains, water channels
- Movement: physical effort, climbing



Water Building Site

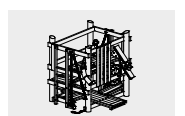
Recommended for

- Kindergarten children
- School children
- Supervised play areas, such as kindergartens, schools, after-school programmes or similar
- Public play areas without supervision, such as playgrounds, parks or similar
- Swimming pools without supervision, such as outdoor pools, adventure pools or similar

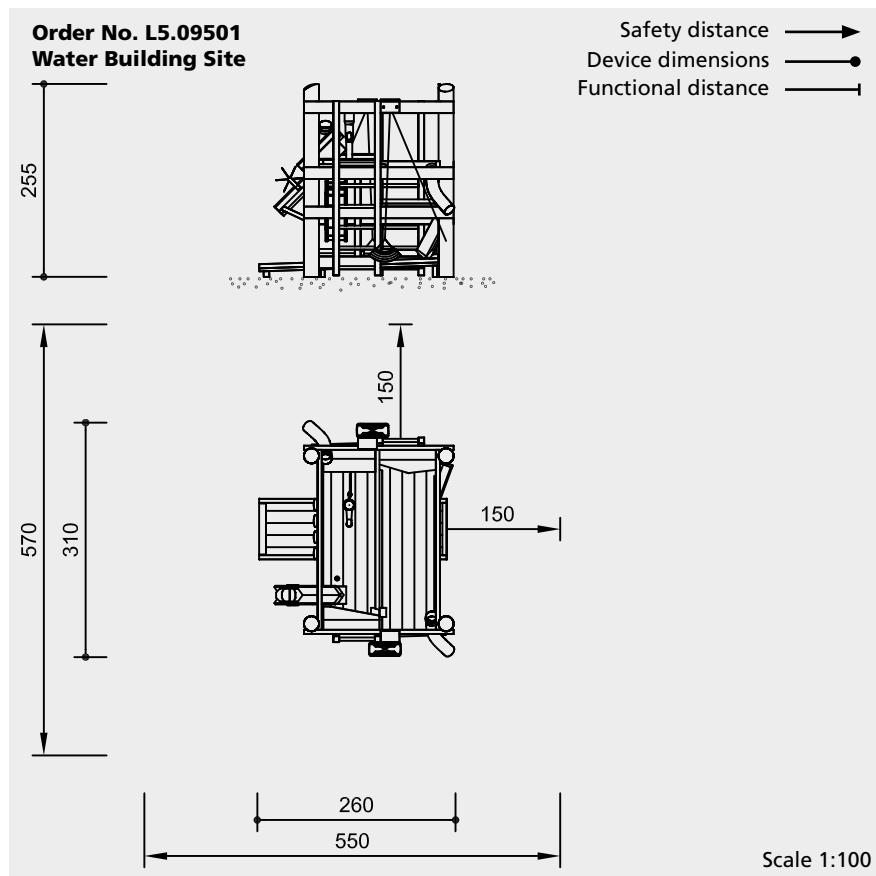
Planning information

Individual solutions for the water supply must be devised, depending on the plans. Up-to-date details on the connection for the water supply and other technical information is available to download as a table at our website

www.richter-spielgeraete.de.



L5.09501



Safety check according to DIN EN 1176

Components

- 1 Platform with steel feet
- 3 Set floors
- 2 Ladders
- 2 Sand Hoists
- 2 Shovels with chain
- 2 Flat Water Channels
- 1 V-shaped Water Channel
- 1 Mill Wheel of wood,
Order No. 5.15813
- 2 Sand Pipes
- 1 Sand Chute, 2 layers
- 1 Sand Wheel
- 1 Playground Pump,
Order No. 5.17510

Note

Additionally Valve combination for direct connection to main, see **Order No. 5.17130**.

Installation information

Surfacing requirements corresponding to a fall height of ≤ 1.50 m (please refer to price list for more detailed information)

Sand is required for proper function. Caution: effective drainage should be ensured.

Foundations
4 items 60 x 60 x 60 cm
Excavation depth 80 cm

Attention:
Exact measurements may vary;
for all installation dimensions refer to current assembly instructions.
Technical changes reserved.

Technical information

Equipment made of non-impregnated mountain larch

Peeled white

Palisades peeled white means that bark, cambium and sapwood are removed, the natural shape of the trunk is preserved and can be experienced



Bevel cut

Vertical stand posts with bevelled end grain section as constructive wood preservation measure



Core-free

Sawn-timbers core-free, thus decreasing occurrences of cracking and undesired changes in shape



Claddings

Claddings made of mountain larch (4 – 5 cm). Peeled white by hand, natural tree surface remains tangible and perceptible



Tongue and groove

Tongue and groove planks made of 4 cm solid wood, highly resilient, no trickling of dust / sand, protection against direct rain



Hardwood rungs

Climbing rungs made of hardwood (ash) Ø 4.2 cm, milled and mortised, secured against twisting, easy to grip and not cold for children to touch



Ground anchor

All parts used for anchoring to the ground are made of hot-dip galvanised steel or stainless steel



Chains

Chains made of hot-dip galvanized steel (1.4301 / 1.4571 at extra charge) welded before galvanising, short-linked, without eyelets on the connecting parts, easy to exchange and shorten



For more detailed explanation of the quality characteristics see price list.

Chutes of plastic,
wall thickness approx. 7 mm

Sand container of textile-reinforced rubber belt, 8 mm thick

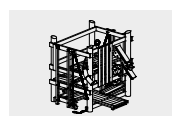
Sand wheel hot-dip galvanised

Description of Mill Wheel and Pump see separate catalogue page.

Dimensions

(small deviations possible)

Height	2.55 m
Floor heights	0.25 / 0.90 / 1.50 m
Platform floors	0.80 x 2.50 m
Length	2.60 m
Width	3.10 m
Weight	900 kg



L5.09501

Play value

Our Water Combination „Small Fish“ offers very special fun for big and small children. Installed in sand and equipped with a staircase, platform, a mushroom spring, water channels and a bucket wheel, it gives free reign to childhood fantasy in different role-playing games. Moreover the senses are stimulated and creativity is promoted by the elements water and sand. The two colourfully painted fish on the outer side of the platform also provide small playgrounds with an appealing and inviting appearance.



Water Combination "Small Fish"

Fundamental characteristics

- Child-oriented dimensions according to ergonomic requirements
- The space-defining design and the natural surface appeal to the senses
- High-quality design
- Combination for role-playing games, „work“ play and activity
- Exercise activity: climbing up and around, pumping, jumping

Recommended for

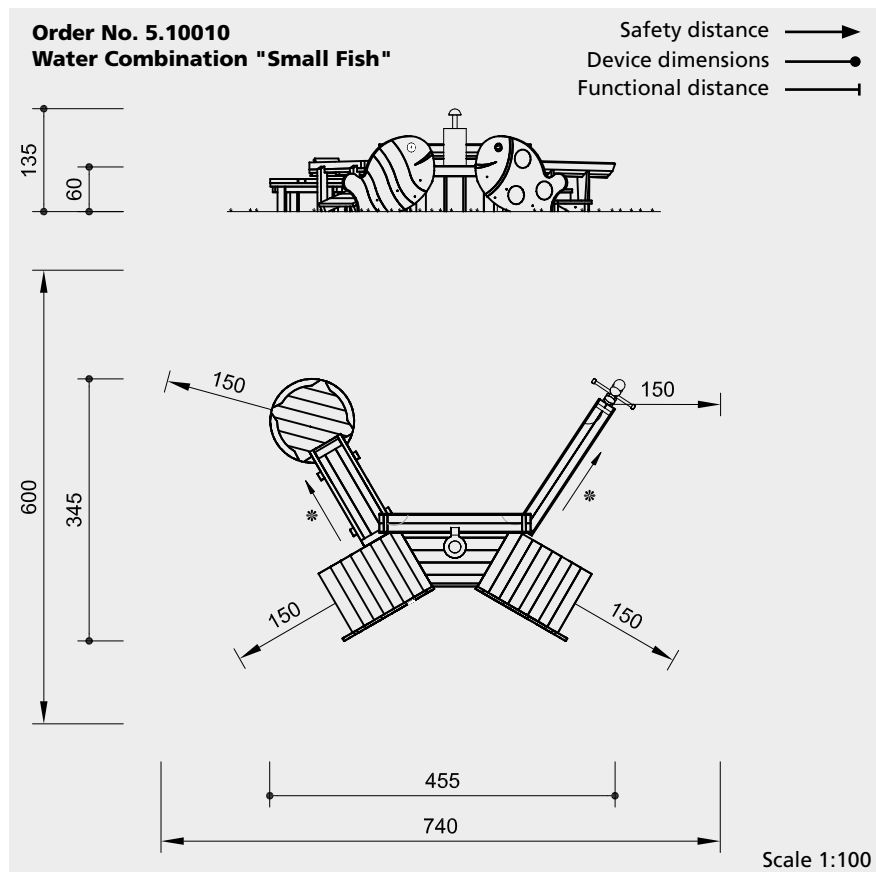
- School children
- Supervised play areas, such as kindergartens, schools, after-school programmes or similar
- Public play areas without supervision, such as playgrounds, parks or similar

Planning information

Equipment marked with a pointing arrow * must be installed with a gradient of approx. 2% (= 2 cm on 1 m). This means that for planning, not only the height of the equipment but also the gradient must be taken into consideration.

Individual solutions for the water supply must be devised, depending on the plans. Up-to-date details on the connection for the water supply and other technical information is available to download as a table at our website www.richter-spielgeraete.de.





Safety check according to DIN EN 1176

Components

- 1 Staircase
- 1 Ramp
each with fish-shaped side panel
- 1 Pedestal
- 1 Mushroom spring for „Small Fish“
with Winter lid
- 1 Small bucket wheel,
Order No. 5.15910
- 2 Triangular Channel with steel feet
- 1 Channel with steel feet and Shutter
- 1 Round mud table with steel feet

Installation information

Surfacing requirements

Platform

corresponding to a fall height of ≤ 0.60 m
(please refer to price list for more
detailed information)

Water mud equipment

No fall height according to standard;
staircase-like constructions may require
an examination of the fall height.
Recommendation: sand with drainage or
pavement with gully and corresponding
landscaping. Take into account that sand
is required for „playing in the mud“.

Foundations

Fish

6 items 30 x 30 x 30 cm
Excavation depth 50 cm

Triangular Channel

2 items 50 x 50 x 50 cm
Excavation depth 70 cm

Horizontal Channel

2 items 50 x 50 x 40 cm
Excavation depth 60 cm

Channel with Shutter

2 items 50 x 90 x 50 cm
Excavation depth 70 cm

Mud Table

2 items 50 x 100 x 50 cm
Excavation depth 70 cm

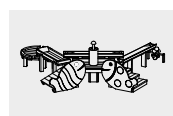
Small Bucket Wheel

1 item 50 x 90 x 30 cm
Excavation depth 70 cm

Attention:

**Exact measurements may vary; for
all installation dimensions refer to
current assembly instructions.**

Technical changes reserved.



5.10010

Technical information

Equipment made of non-impregnated
mountain larch

Core-free

Sawn-timbers core-free, thus decreasing
occurrences of cracking and undesired
changes in shape



Tongue and groove

Tongue and groove planks made of
4 cm solid wood, highly resilient, no
trickling of dust / sand, protection
against direct rain



Plywood

Plywood made of mountain larch,
three-layer (3 cm) or five-layer (4 cm).
High dimensional stability,
waterproof, glued according to
DIN EN 13353:2011



Ground anchor

All parts used for anchoring to the
ground are made of hot-dip galvanised
steel or stainless steel



Roller bearings

Roller bearings made of stainless steel
for rotating elements, easy to maintain
and exchange, sealed



**For more detailed explanation of the
quality characteristics see price list.**

Colour

Solvent-free acrylic paints are used for
colouring; the wood is painted in a way
which allows the structure of the wood
to remain clearly visible

**For a description of the mushroom
spring and small bucket wheel, please
refer to the separate catalogue
pages.**

Dimensions

(small deviations possible)

Height	1.35 m
Platform height	0.60 m
Length	4.55 m
Width	3.45 m
Weight	600 kg

Play value

Our system of wooden water gutters consists of 10 elements of different shapes and functions which can be combined to individual water play installations. The gutters have different movable shutters, are installed with inclination or horizontal. They allow for interesting water play activities which are particularly attractive for children. The gutters - some of them are as wide as tables - can be used for playing with mud and distributing water. The feet have overlength, therefore it can be cut at different levels on the construction side. By this it is possible to take into account special requirements, e.g. of wheelchair bound children. This system of water gutters can be combined with different water wheels and Archimedes Screws.



Photo © Monica Bedmar



Photo © Anton Donikov



Photo © Anton Donikov



Order No. 5.10203 Channel with wedge seal
Photo © Anton Donikov

Water play elements made of wood

Fundamental characteristics

- Child proportions according to ergonomic requirements
- Use of natural wood which is appealing to the senses; the beautiful structure of the wood gets more and more visible by use
- Incentive for playing: wood, sand, water
- Movement: motor activities

Recommended for

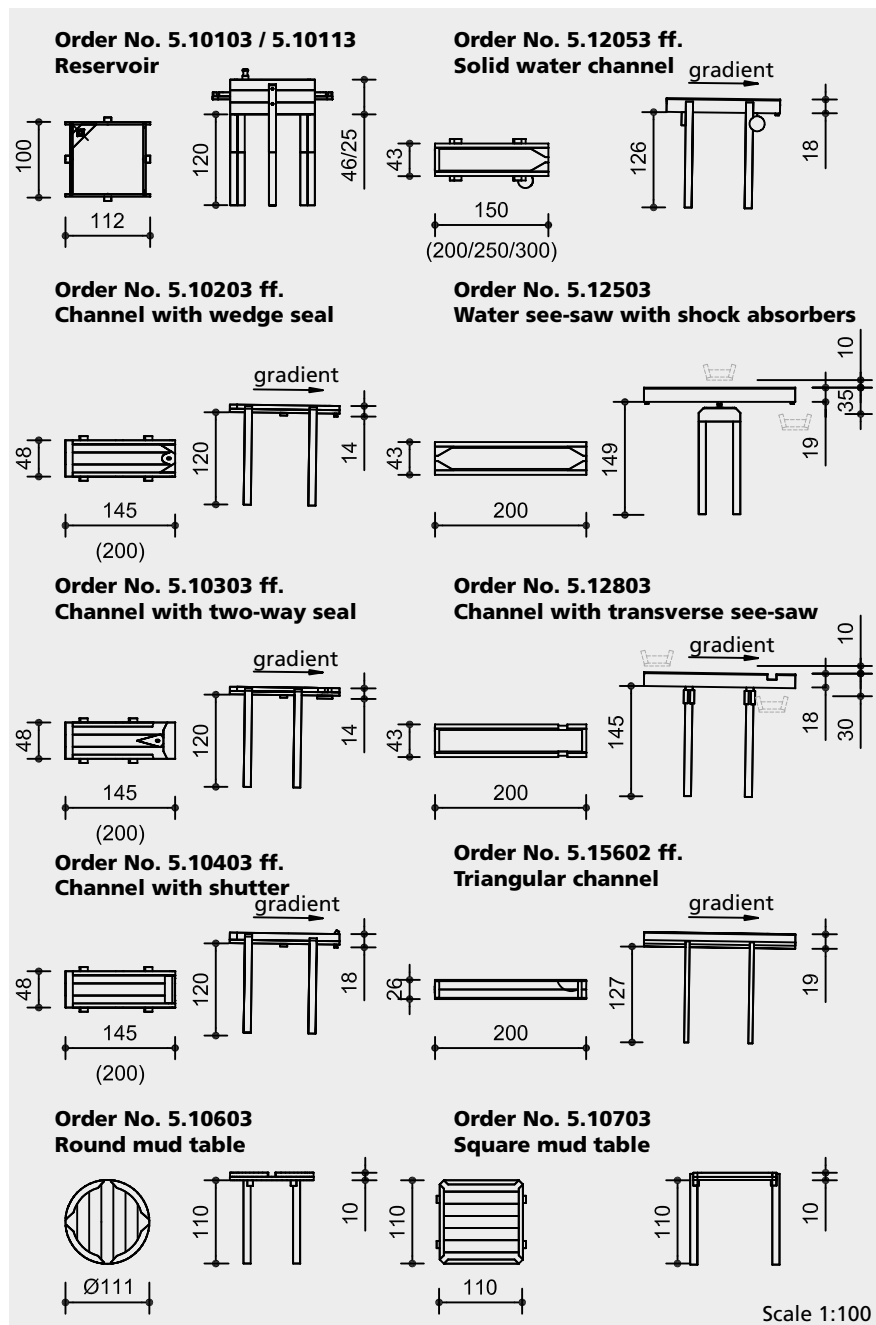
- Kindergarten children
- Supervised play areas, such as kindergartens, schools, after-school programmes or similar
- Public play areas without supervision, such as playground, parks or similar
- Water play areas without supervision

Barrier-free

- Independent play



5.10103 - 5.15602



Safety check according to DIN EN 1176

Components

1 Element each,
with the corresponding number of
support posts each with steel feet

Installation information

Surfacing requirements
no fall height according to standard,
staircase-like constructions may make
necessary an examination of the fall
height

Recommendation: sand with drainage or
paving stone with gully; for playing with
„mud“, sand is required.

Required space according to overall
installation.
Foundations according to overall installa-
tion, excavation depth 70 cm each

Attention:
Exact measurements may vary;
for all installation dimensions refer
to current assembly instructions.
Technical changes reserved.



5.10103 - 5.15602

Technical information

Equipment made of non-impregnated
mountain larch

Core-free
Sawn-timbers core-free, thus decreasing
occurrences of cracking and undesired
changes in shape



Tongue and groove
Tongue and groove planks made of
4 cm solid wood, highly resilient, no
trickling of dust / sand, protection
against direct rain



Ground anchor
All parts used for anchoring to the
ground are made of hot-dip galvanised
steel or stainless steel



Order No. 5.10103 / 5.10113

Plywood
Plywood made of mountain larch,
three-layer (3 cm) or five-layer (4 cm).
High dimensional stability,
waterproof, glued according to
DIN EN 13353:2011



**For more detailed explanation of the
quality characteristics see price list.**

**Order No 5.10103 / 5.12053 ff. /
5.10303 ff. / 5.10403 ff. / 5.15602 ff.**
Sealed with microcellular rubber

Order No 5.12053 / 5.12503 / 5.12803
Floor plates 10 / 30 cm

Dimensions (See sketches)
(small deviations possible)

Weight 30 - 90 kg

Planning information

Equipment marked with a pointing arrow
needs to be installed with a gradient of
approx. 2% (= 2 cm on 1 m). This means
that for planning not only the height
of the equipment but also the gradient
needs to be taken into consideration.

The lengths of the support posts must
be checked for the planned installation
heights. The required lengths of the
support posts need to be calculated by
the customer taking into consideration
the installation depth (depending on the
surface) and the intended height (above
ground).

If several elements are installed in a line,
this might make necessary a correspon-
ding modelling of the ground.

Play value

Playing with mud, shaping and building with sand, earth and water is a fundamental human requirement, which even adults find difficult to suppress sometimes. With different types of water play equipment, children can gain insights into different functions and learn physical laws while playing. Troughs, water see-saws and mud tables ensure intense mud play which children often participate in together.



Order No. 5.15602 Triangular channel



Order No. 5.10603 Round mud table, Photo © Daniel Perales



Order No. 5.10603 Round mud table



Photo © Phil Wilkinson




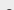
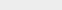
Water play elements made of wood



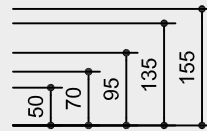
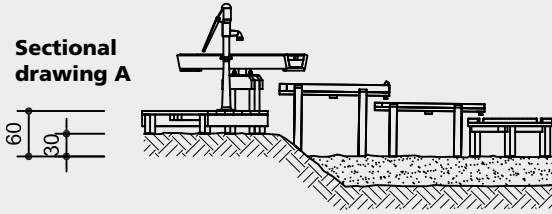
5.10103 - 5.15602

Water play elements made of wood

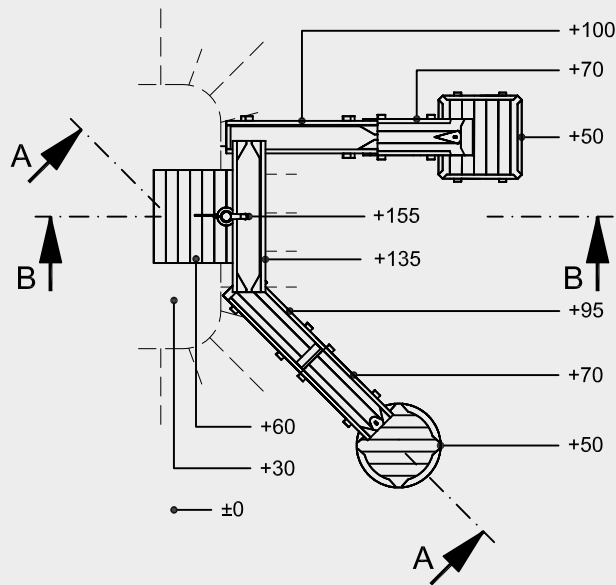
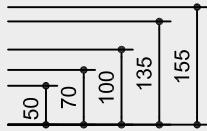
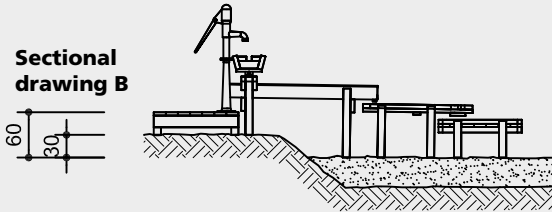
Planning Example

Safety distance 
 Device dimensions 
 Functional distance 

Sectional drawing A



Sectional drawing B

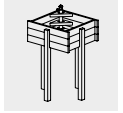


Scale 1:100

* The minimum height difference is the required distance between one element to the next. For see-saws the indicated measurements need to be kept to.

Order No. 5.10103 / 5.10113

Is usually allocated to pump, with bung for sealing;
 Height difference 50 cm * / 30 cm



Order No. 5.10203

Can be used as water play table;
 Height difference 17 cm *



Order No. 5.10303

Can be used as water play table and as distributor channel;
 Height difference 17 cm *



Order No. 5.10403

Can be used as water play table;
 Height difference 21 cm *



Order No. 5.10603

Is mostly used as final element of a water way,
 4 outlets;
 Height difference 18 cm *



Order No. 5.10703

Is mostly used as final element of a water way,
 4 outlets;
 Height difference 18 cm *



Order No. 5.12053

Basic element of this equipment group available up to 3 m length;
 Height difference 25 to 28 cm *



Order No. 5.12503

Two-way distributor with sturdy, buffered mechanism;
 Height difference 65 cm* to bottom, 15 cm * to top (see side view)



Order No. 5.12803

Transverse distributor on rubber buffers;
 Height difference 30 cm* to bottom, 10 cm * to top (see side view)



Order No. 5.15602

Standard length 2.00 m, but can also be delivered shorter;
 Height difference 24 cm *



5.10103 - 5.15602



Order No. 5.13000 Water Flooder, Photo © Daniel Perales

Play value

The Water Flooders are suggestive of water spouts and rain gutters. Their deep shape means they can hold a lot of water, provided someone energetically activates the pump. This action allows children to experience swell, flood and fast flowing water.

Fundamental characteristics

- Design with technical appearance
- Incentive for playing: deep shape
- Movement: fine-motor processes, physical effort

Recommended for

- Kindergarten children
- School children
- Water play areas without supervision

Barrier-free

- Independent play

Design

The Water Flooders are particularly suited to link bank zones and water areas so that the qualities of both areas become usable as a whole. The gently curved shallow gutters can be installed so that they nearly lie on top of the water. Reflections of images and sparkling light on both the metal and water interact to create an inviting play offer for children. Water Flooders and Water Trays can be combined.



Order No. 5.13004 Water Flooder with locking element, Photo © Daniel Perales

Water play elements made of stainless steel

Planning information

Equipment marked with an arrow must be installed with a gradient of approx. 2 % (= 2 cm per 1 m). For vertical installation of the feet, the gradient has been taken into account during manufacture. This means that both the height of the equipment and the gradient should be taken into account during planning.



Order No. 5.13000 Water Flooder, Photo © Daniel Perales


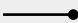



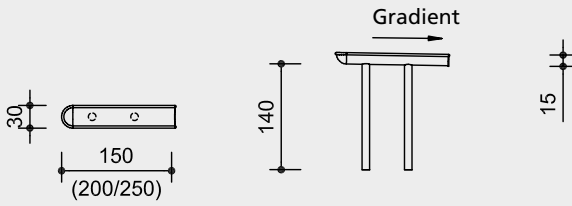
5.13000 - 5.13500

Order No. 5.13000 / 5.13050 / 5.13055

Water Flooder

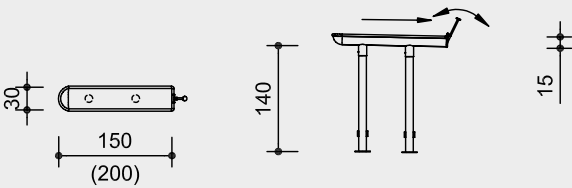
Height difference min. 24 cm*

Safety distance 
 Device dimensions 
 Functional distance 



Order No. 5.13004 / 5.13052

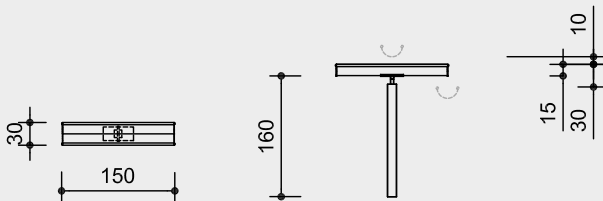
Water Flooder with locking element



Order No. 5.13500

See-Saw Flooder

Height difference downwards min. 30 cm*
 upwards min. 10 cm*



Scale 1:100

Safety check according to DIN EN 1176

Components

- 1 Water play element
- 1 Corresponding number of stand posts, for putting on

Installation information

Surfacing requirements
 no fall height according to the standard staircase-like constructions may make it necessary to check the critical fall heights

Recommendation
 Ideally, the equipment will be installed in sand surfacing with drainage and a corresponding landscape design. For installations on paving stone or similar with gully, it should be checked whether a sand separator is required. Required space according to entire playground.

Foundations according to entire playground
 Per stand post 50 x 50 x 50 cm
 Excavation depth 70 cm



5.13000 - 5.13500

Technical information

Equipment made of stainless steel sheet metal, glass-bead blasted, thickness 2 mm, with ergonomic edge

Ground anchor

All parts used for anchoring to the ground are made of hot-dip galvanised steel or stainless steel



Order No. 5.13004 / 5.13052 / 5.13500

As above, but in addition with

Sintered bush

For all reciprocating movements we use sintered plain bearings which are self-lubricating in use and can easily be exchanged if necessary



For more detailed explanation of the quality characteristics see price list.

Order No. 5.13004 / 5.13052

Water Flooder with locking element

Flap with rubber seal, self-closing by the dead weight of the handle

Dimensions

(small deviations possible)

Order No. 5.13000 - 5.13500

Water Flooder

Stand post diameter 100 mm

Order No. 5.13000 / 5.13050 / 5.13055

Water Flooder

Length 1.50 / 2.00 / 2.50 m
 Weight 32 / 36 / 40 kg



Order No. 5.13002

Water Flooder with 1 foot

Length 1.00 m
 Weight 18 kg



Best.-Nr. 5.13004 / 5.13052

Water Flooder with locking element

Length 1.50 / 2.00 m
 Weight 35 / 39 kg



Best.-Nr. 5.13070

Water Flooder with 3 feet

Length 3.00 m
 Weight 36 kg



Best.-Nr. 5.13500

See-Saw Flooder

Length 1.50 m
 Weight 41 kg



*** The minimum height difference is the required distance between a piece of equipment and the next (downstream). In the case of movable gutters, the specified dimensions for functionality and safety must be observed.**

Attention:
Exact measurements may vary; for all installation dimensions refer to current assembly instructions.
 Technical changes reserved.

For use in aggressive environments such as salt or chlorine water, the equipment is also available in marine grade steel (V4A).

Play value

These nicely shaped water trays can be arranged in many different ways and can be combined to suit the location. Just like our wooden water play elements, this series also offers static and movable trays as well as different flaps, damming seals and water tables.

Fundamental characteristics

- Special design
- Incentive for playing: wide shape, light reflections, damming seals
- Movement: fine-motor processes, physical effort

Recommended for

- Kindergarten children
- School children
- Water play areas without supervision

Barrier-free

- Independent play

Design

The Water Trays are particularly suited to link bank zones and water areas so that the qualities of both areas become usable as a whole. The gently curved shallow gutters can be installed so that they nearly lie on top of the water. Reflections of images and sparkling light on both the metal and water interact to create an inviting play offer for children. Water Trays and Water Flooders can be combined.

Planning information

Equipment marked with an arrow must be installed with a gradient of approx. 2 % (= 2 cm per 1 m). For vertical installation of the feet, the gradient has been taken into account during manufacture. This means that both the height of the equipment and the gradient should be taken into account during planning.



Order No. 5.14400 Water tray with locking element, Photo © Daniel Perales

Water play elements made of stainless steel

Installation information

Surfacing requirements
no fall height according to the standard staircase-like constructions may make it necessary to check the critical fall heights

Recommendation
Ideally, the equipment will be installed in sand surfacing with drainage and a corresponding landscape design. For installations on paving stone or similar with gully, it should be checked whether a sand separator is required. Required space according to entire playground

Foundations according to entire playground approx. 50 x 50 x 50 cm for each stand post
Excavation depth 70 cm



Order No. 5.14050 Water Tray

Components

- 1 Water play element
- 1 Corresponding number of support posts for putting on



5.14050 - 5.14800

Order No. 5.14050 / 5.14060 / 5.14070 / 5.14080
Water Tray
 Height difference min. 14 – 16 cm*

Order No. 5.14200
Water Trays with Ball Shutter
 Height difference min. 14 cm*

Order No. 5.14400 / 5.14450
Water Tray with 1 Seal

Order No. 5.14403 / 5.14453
Water Tray with 2 Seal
 Height difference min. 14 cm*

Order No. 5.14520
See-Saw Basin with Shock Absorber
 Height difference downwards min. 26 cm* upwards min. 10 cm*

Order No. 5.14700
Mud Trough
 Height difference min. 6 cm*

Order No. 5.14800
Basin with Transverse See-Saw
 Height difference downwards min. 25 cm* upwards min. 15 cm*

Scale 1:100

Safety check according to DIN EN 1176



5.14050 - 5.14800

* The minimum height difference is the required distance between a piece of equipment and the next (downstream). In the case of movable gutters, the specified dimensions for functionality and safety must be observed.

Technical information

Equipment made of stainless steel sheet metal, glass-bead blasted, thickness 2 mm, with ergonomic edge

Ground anchor

All parts used for anchoring to the ground are made of hot-dip galvanised steel or stainless steel



Order No. 5.14400 / 5.14450 / 5.14403 / 5.14453 / 5.14520 / 5.14800

As above, but in addition with

Sintered bush

For all reciprocating movements we use sintered plain bearings which are self-lubricating in use and can easily be exchanged if necessary



For more detailed explanation of the quality characteristics see price list.

Order No. 5.14200
Water Trays with Ball Shutter

Polyamide ball, diameter 80 mm

Order No. 5.14400 / 5.14450

Water Tray with 1 Seal

Order No. 5.14403 / 5.14453

Water Tray with 2 Seal

Flap with rubber seal, self-closing by the dead weight of the handle

Dimensions

(small deviations possible)

Order No. 5.14050 / 5.14060 / 5.14070 / 5.14080

Water Tray

Length 1.50 / 2.00 / 2.50 / 3.00 m
 Weight 46 - 64 kg



Order No. 5.14200

Water Trays with Ball Shutter

Length 1.50 m
 Weight 56 kg



Order No. 5.14400 / 5.14450

Water Tray with 1 Seal

Length 1.50 / 2.00 m
 Weight 56 / 67 kg



Order No. 5.14403 / 5.14453

Water Tray with 2 Seal

Length 1.50 / 2.00 m
 Weight 58 / 80 kg



Order No. 5.14520

See-Saw Basin with Shock Absorber

Length 1.50 m
 Weight 56 kg



Order No. 5.14700

Mud Trough

External dim. 1.00 x 1.00 m
 Weight 51 kg



Order No. 5.14800

Basin with Transverse See-Saw

Length 2.00 m
 Weight 58 kg



Attention:

Exact measurements may vary; for all installation dimensions refer to current assembly instructions. Technical changes reserved. For use in aggressive environments such as salt or chlorine water, the equipment is also available in marine grade steel (V4A).

Play value

It is attractive both for children and older people to put something into motion by means of visible power. When it is possible to change this power by mechanical influence, the attraction is even greater. The element of water as a power source is of great importance. Therefore, water wheels are always an important component of a water play installation. Both Mill Wheels are propelled by the weight of the water. However, it is important to know about the clearly visible and recognisable relationship and to have the possibility to change something.

Fundamental characteristics

- Unique by its original mill wheel design
- Incentive for playing: recognize

Recommended for

- Kindergarten children
- School children
- Water play areas without supervision

Barrier-free

- Independent play



Order No. 5.15813 Mill Wheel made of wood

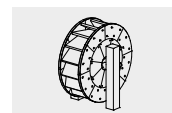
Mill Wheel made of wood
Mill Wheel made of stainless steel



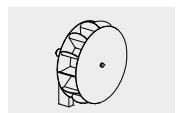
Order No. 5.15820 Mill Wheel made of stainless steel,
Photo © Daniel Perales

© Richter Spielgeräte GmbH 06/22

Design G. Beltzig



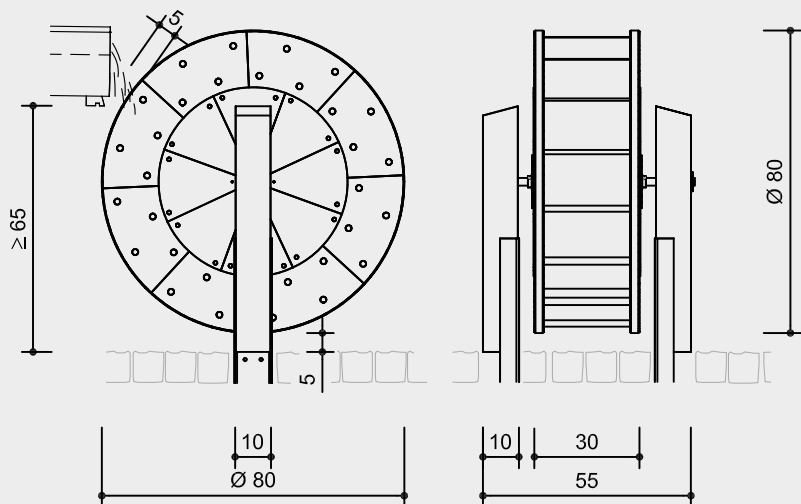
5.15813



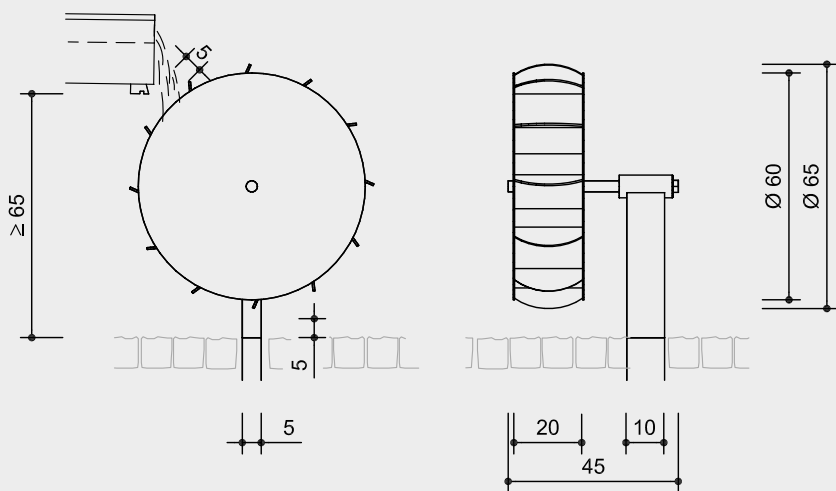
5.15820

Order No. 5.15813
Mill Wheel made of wood

Safety distance →
 Device dimensions ●
 Functional distance —



Order No. 5.15820
Mill Wheel made of stainless steel



Scale 1:20

Safety check according to DIN EN 1176

Components

1 Part each

Installation information

Surfacing requirements
 Recommendation: sand with drainage or paving stone with gully and a corresponding surface design;
 The Mill Wheels are only designed for overshot operation. Please refer to drawing for required minimum height difference.

Foundations

Order No. 5.15813
Mill Wheel made of wood

1 item 50 x 90 x 50 cm
 Excavation depth 70 cm

Order No. 5.15820
Mill Wheel made of stainless steel

1 item 50 x 50 x 50 cm
 Excavation depth 70 cm

Attention:
Exact measurements may vary;
for all installation dimensions refer
to current assembly instructions.

Technical changes reserved.

Technical information

Order No. 5.15813
Mill Wheel made of wood

Equipment made of non-impregnated mountain larch

Core-free

Sawn-timbers core-free, thus decreasing occurrences of cracking and undesired changes in shape



Ground anchor

All parts used for anchoring to the ground are made of hot-dip galvanised steel or stainless steel



Roller bearings

Roller bearings made of stainless steel for rotating elements, easy to maintain and exchange, sealed



Craftsman-like water wheel construction with grooved and slitted wood connections

Shaft, hub and hoop made of stainless steel, glass bead blasted

Order No. 5.15820
Mill Wheel made of stainless steel

Equipment made of stainless steel, glass bead blasted, thickness of material 3 mm; easy-grip contact surfaces

Roller bearings

Roller bearings made of stainless steel for rotating elements, easy to maintain and exchange, sealed



For more detailed explanation of the quality characteristics see price list.

Dimensions

(small deviations possible)

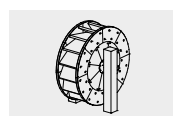
Order No. 5.15813
Mill Wheel made of wood

Height	0.85 m
Width	0.55 m
Diameter of wheel	0.80 m
Weight	50 kg

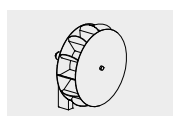
Order No. 5.15820
Mill Wheel made of stainless steel

Height	0.70 m
Width	0.45 m
Diameter of wheel	0.65 m
Weight	27 kg

For use in aggressive environments such as salt or chlorine water, the Mill Wheel made of stainless steel (Order No. 5.15820) is also available in marine grade steel (V4A).



5.15813



5.15820



Order No. 5.15920 Big Bucket Wheel

Play value

Metal Bucket Wheels are an eye-catcher in water play areas, particularly when reflections of sparkling light emphasise the delightful design. The small bowls, arranged in a radial shape, are very attractive for children. When the wheel starts turning by the power of water, the child at the pump is working more intensively in order to accelerate the movement of the wheel. The Large Bucket Wheel can also be driven by a stream of water in a channel (see installation situation on the back).

Fundamental characteristics

- High-quality design
- Incentive for playing: small buckets arranged in radial shape

Recommended for

- Supervised play areas, such as kindergartens, schools, after-school programmes or similar
- Public play areas without supervision, such as playgrounds, parks or similar

Barrier-free

- Independent play



Order No. 5.15910 Small Bucket Wheel for site foundations, Photo © Daniel Perales

Small Bucket Wheel for concrete base
Small Bucket Wheel for site foundations
Big Bucket Wheel

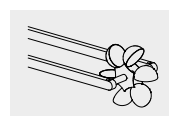
Components

1 Part each

Fitting concrete base for **Order No. 5.15900**, see **Order No. 5.15950** in the price list



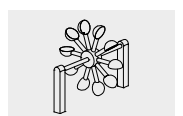
Order No. 5.15910 Small Bucket Wheel for site foundations, Photo © Paul Upward



5.15900

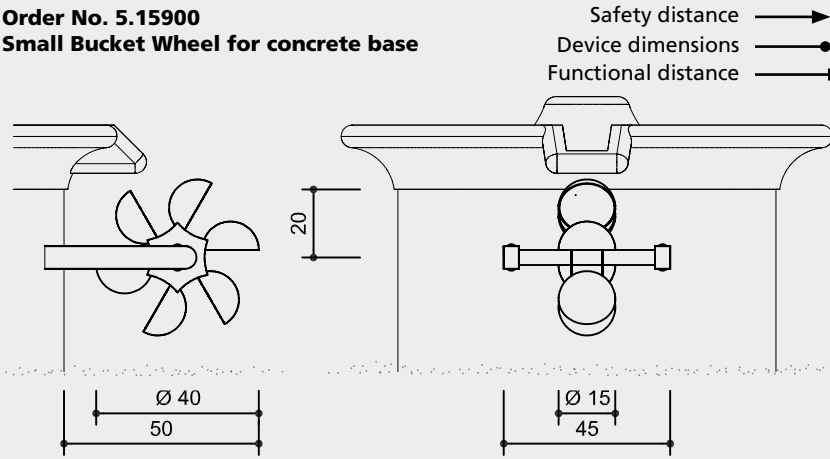


5.15910

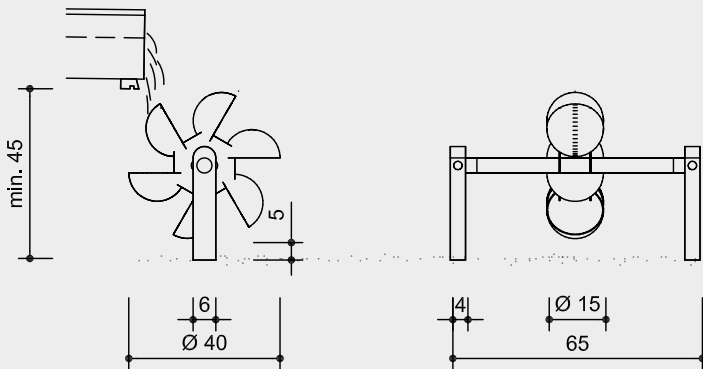


5.15920

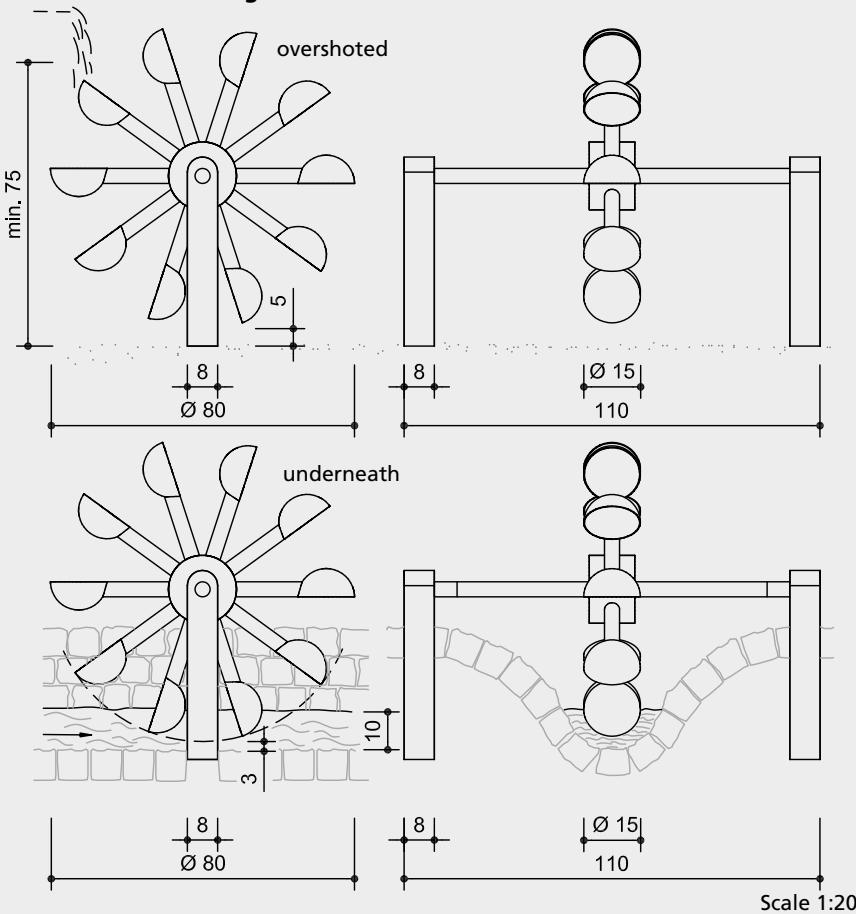
Order No. 5.15900
Small Bucket Wheel for concrete base



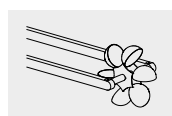
Order No. 5.15910 Small Bucket Wheel for site foundations



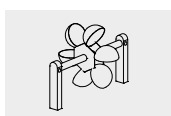
Order No. 5.15920 Big Bucket Wheel



Safety check according to DIN EN 1176



5.15900



5.15910



5.15920

Technical information

Equipment made of stainless steel
 glass bead blasted
 thickness of metal sheet 3 mm
 diameter of hemisphere 150 mm

Roller bearings

Roller bearings made of stainless steel
 for rotating elements, easy to maintain
 and exchange, sealed



For more detailed explanation of the quality characteristics see price list.

Dimensions

(small deviations possible)

Order No. 5.15900

Small Bucket Wheel for concrete base

Width	0.45 m
Projection over concrete base	0.50 m
Diameter of wheel	0.40 m
Weight	13 kg

Order No. 5.15910 Small Bucket Wheel for site foundations

Height	0.45 m
Width	0.65 m
Diameter of wheel	0.40 m
Weight	13 kg

Order No. 5.15920 Big Bucket Wheel

Height	0.85 m
Width	1.10 m
Diameter of wheel	0.80 m
Weight	22 kg

Installation information

Surfacing requirements

Recommendation: Sand with drainage or paving with gully and appropriate terrain design.

Bucket wheels run better in top-slung operation (water flows onto the buckets from above). Less water is required, but more height difference.

In undershot operation (water flows through the bottom as shown), care must be taken to bring the paving as close as possible to the blades without creating pinch points for fingers. More and faster flowing water is required. This can be dammed up for this purpose e.g. with the draw weir, **Order no. 5.20930** just above the water wheel and then released with momentum. We recommend that the correct installation position be determined in a trial with water before final fixing.

With the small paddle wheel, undershot operation is not possible.

Foundations

Order No. 5.15910

1 item 50 x 90 x 30 cm
 Excavation depth 70 cm

Order No. 5.15920

2 items 40 x 40 x 30 cm
 Excavation depth 70 cm
 (or corresponding installation situation)

Attention:

Exact measurements may vary; for all installation dimensions refer to current assembly instructions.

Technical changes reserved.

For use in aggressive environments such as salt or chlorine water, the equipment is also available in marine grade steel (V4A).

Play value

The element water, with its infinite forms of expression, is defined by its flow, vitality and power. It is only in ideal cases that a natural spring is located at a playground; however every play space needs water, even if it "only" comes out of a pipeline. A water pump with a swipe is especially attractive, where the act of pumping itself becomes a part of the play value, enabling access to the precious liquid. Even small children are able to pump water on the Crank Handle Pump with little effort. A gentle turn of the wheel is all it takes to get involved in the role-playing game with the element of water.

Fundamental characteristics

- Extremely sturdy playground pump
- Special design
- Incentive for playing: pump swipe (can be adjusted in 45° steps during assembly)
- Water is pumped on the Crank Handle Pump by turning the crank handle or rocking it back and forth
- Movement: physical effort



Photo © Monica Bedmar



Photo © Anton Donikov



Order No. 5.17630 Playground Pump, Photo © Paul Upward



Photo © Monica Bedmar



Order No. 5.17637 Crank Handle Pump

Recommended for

- Kindergarten children
- School children
- Water play areas without supervision

Planning information

These two types of pumps can deliver drinking water quality up to the underside of the piston.

Individual solutions for the water supply must be devised, depending on the plans. Up-to-date details on the connection for the water supply and other technical information is available to download as a table at our website

www.richter-spielgeraete.de.

**Playground Pumps
Crank Handle Pumps**

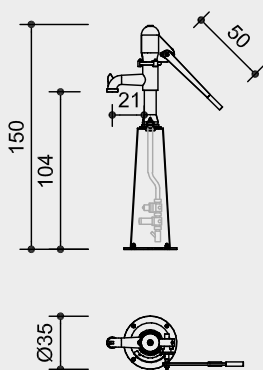


5.17630 / 5.17640

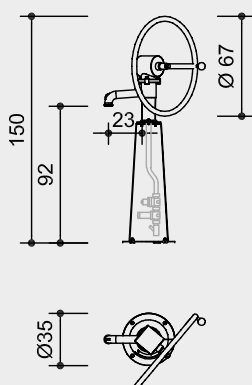


5.17637 / 5.17638

Order No. 5.17630 / 5.17640
Playground Pump with integrated connection to mains water in the pillar
 Drinking water up to underside of piston



Order No. 5.17637 / 5.17638
Crank Handle Pump with integrated connection to mains water in the pillar
 Drinking water up to underside of piston



Safety distance →
 Device dimensions —●—
 Functional distance —|—

Scale 1:50

Safety check according to DIN EN 1176

Components

Order No. 5.17630 / 5.17640

- 1 Playground Pump with integrated connection to mains water in the pillar

Order No. 5.17637 / 5.17638

- 1 Crank Handle Pump with integrated connection to mains water in the pillar
Utility Model
 20 2020 100 441 Germany

Installation information

Surfacing must be ready to take heavy duty bolts.

Alternatively, the pumps can be mounted on the pedestals **Order No. 5.14190 / 5.19003** or foundation anchors **Order No. 5.17505 / 5.17633**.

Order No. 5.17630 / 5.17637

Pump must be drained during frost period; secure or remove handle/crank; we recommend disassembly.

Order No. 5.17640 / 5.17638

It is absolutely essential to disassemble the equipment during the period of frost.

Pumps for direct connection to mains water:

No underground shaft required for function.

Attention:

Exact measurements may vary; for all installation dimensions refer to current assembly instructions.
 Technical changes reserved.

For use in aggressive environments such as salt or chlorine water, the equipment is also available in marine grade steel (V4A).

Technical information

Order No. 5.17630 Playground Pump

Closed piston suction pump; all top parts made from hot-dip galvanised grey cast iron; cylinder housing, air dome cap, mounting plate, forked lever, plunging valve, gland flange and connecting rod are hot-dip galvanised; cylinder with a liner made of brass alloy and plastic piston (POM); drive shaft made of stainless steel, with replaceable brass bearing, additionally fixed with the gland flange using the shaft collar; secured against being extracted by means of a collar; drive shaft bearing made of brass with lubricating nipples; pump capacity: approx. 0.75 l per stroke, bore 75 mm, pump lift 170 mm the valve combination for direct connection to mains water, Ø 1 inch, and a shut-off valve with backflow preventer (type EA) and drainage are installed in the galvanised pillar made of steel; thread 1 inch; min. 2.5 bar water pressure, max. 6 bar, relief valve prevents swiipe from striking back, water requirement approx. 45 l/min

Order No. 5.17640

General pump specification as **Order No. 5.17630**; but in addition with programmable rinsing device, no connections to power supply required

Order No. 5.17637 Crank Handle Pump

Closed piston suction pump; pump and pillar made of stainless steel; cylinder and crank housing, mounting plate, piston rod and drive shaft made of stainless steel; the drive shaft brass bearing is replaceable, fitted with nipple for lubrication; cylinder with a liner made of brass alloy and plastic piston (POM); crank ring made of stainless steel, knob made of plastic material; the valve combination for direct connection to mains water, Ø 1 inch, and a shut-off valve with backflow preventer (type EA) and drainage are installed in the pillar made of stainless steel; external thread 1 inch; min 2.5 bar water pressure, max. 6 bar; relief valve prevents swiipe from striking back, water requirement approx. 18 l/min

Order No. 5.17638

General pump specification as **Order No. 5.17637**; but in addition with programmable rinsing device; no connection to power supply required

Dimensions

(small deviations possible)

Order No. 5.17630 / 5.17640 Playground Pump

Equipment height	1.50 m
Width with horizontal pump swiipe	0.95 m
Weight	73 kg

Order No. 5.17637 / 5.17638 Crank Handle Pump

Equipment height	1.50 m
Width	0.35 / 0.67 m
Weight	70 kg



5.17630 / 5.17640



5.17637 / 5.17638

Play value

The element water, with its infinite forms of expression, is defined by its flow, vitality and power. And if a playing observer interacts with it, various different sensory impressions are created.

It is only in ideal cases that a natural spring is located at a playground; however every play space needs water, even if it "only" comes out of a pipeline. A water pump with a swipe is especially attractive, where the act of pumping itself becomes a part of the play value, enabling access to the precious liquid. Our robust playground pumps therefore not only serve as a water supply, but also encourage work- and role-playing games and promote communication and cooperation.

Fundamental characteristics

- Sturdy construction
- Special design
- Incentive for playing: pump swipe (can be adjusted in 45° steps during assembly)
- Movement: physical effort



Photo © Monika Bedma

Order No. 5.17630 Playground Pump



Order No. 5.17500 Playground Pump

Playground Pumps

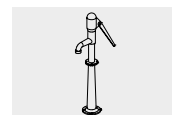
Recommended for

- Kindergarten children
- School children
- Water play areas without supervision

Planning information

Individual solutions for the water supply must be devised, depending on the plans. Up-to-date details on the connection for the water supply and other technical information is available to download as a table at our website www.richter-spielgeraete.de.

The water quality is to be clarified with the operator and the health authorities.

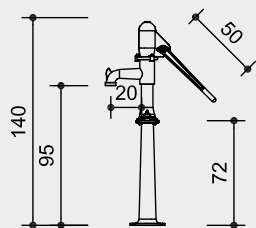


5.17500

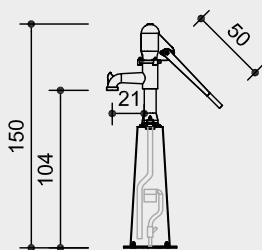


5.17730

Order No. 5.17500
Playground Pump
 Self-priming



Order No. 5.17730
Playground Pump
 with water reservoir in the pillar
 Drinking water to underside of the pump base



Safety distance →
 Device dimensions —●—
 Functional distance —|—

Scale 1:50

Safety check according to DIN EN 1176

Components

Order No. 5.17500
 1 Playground pump

Order No. 5.17730
 1 Playground pump
 with water reservoir in the pillar

Installation information

Surfacing must be ready to take heavy duty bolts.

Alternatively, the pumps can be mounted on the pedestals **Order No. 5.14190 / 5.19003** or foundation anchors **Order No. 5.17505 / 5.17633**.

Order No. 5.17500 / 5.17730
 Pump must be drained during frost period; secure or remove handle/crank. We recommend disassembly.

Pump Order No. 5.17730 for direct connection to mains water:

No underground shaft required for proper operation

Attention:
Exact measurements may vary; for all installation dimensions refer to current assembly instructions.
 Technical changes reserved.

For use in aggressive environments such as salt or chlorine water, the equipment is also available in marine grade steel (V4A).

Technical information

Order No. 5.17500
Playground Pump

Closed piston suction pump; all parts made from hot-dip galvanised grey cast iron; cylinder housing, air dome cap, mounting plate, forked lever, plunging valve, gland flange and connecting rod are hot-dip galvanised; cylinder with a liner made of brass alloy and plastic piston (POM); drive shaft made of stainless steel, with replaceable brass bearing, additionally fixed with the gland flange using the shaft collar; secured against being extracted by means of a collar; drive shaft bearing made of brass with lubricating nipples; pump capacity: approx. 0.75 l per stroke, bore 75 mm, pump lift 170 mm

Order No. 5.17730

General pump specification as **Order No. 5.17500**; the water reservoir with float valve is integrated in the galvanised steel pillar; max. 6 bar water pressure; 1/2 inch external thread, pressure-resistant pipeline Ø 3/4 inch, water requirement approx. 15 l/min

Dimensions

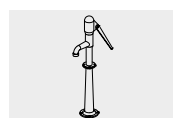
(small deviations possible)

Order No. 5.17500
Playground Pump

Equipment height	1.40 m
Width with horizontal pump swipe	0.95 m
Weight	55 kg

Order No. 5.17730
Playground Pump

Equipment height	1.50 m
Width with horizontal pump swipe	0.95 m
Weight	73 kg



5.17500



5.17730

Play value

Our pump pedestals made of larch wood or stainless steel with a ribbed surface make it easier for smaller children to operate the crank or the swipe of our playground pumps.

Fundamental characteristics

- Sturdy construction
- Minimalist style
- Movement: climbing up

Recommended for

- Kindergarten children
- School children
- Water play areas without supervision

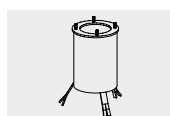


Order No. 5.19003 Pump Pedestal made of wood, Photo © Monica Bedmar

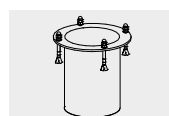


Order No. 5.14190 Pump Pedestal made of stainless steel

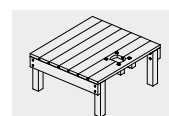
**Foundation Anchor
Winter Lid
Pump Pedestals**



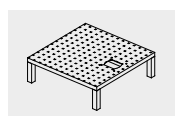
5.17505



5.17633

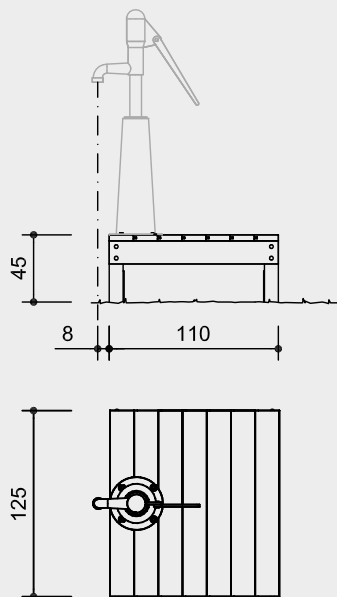


5.19003

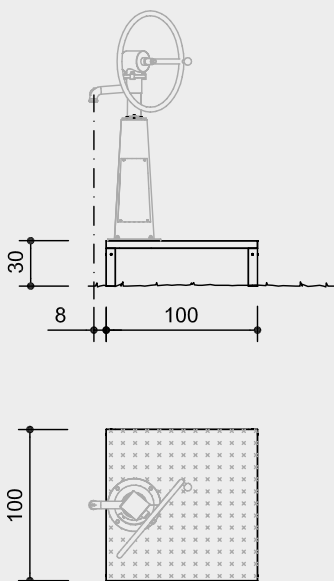


5.14190

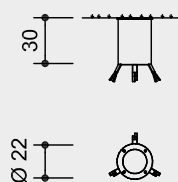
**Order No. 5.19003
Pump Pedestal**



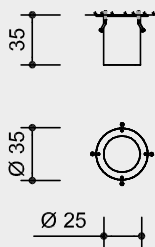
**Order No. 5.14190
Pump Pedestal made of
stainless steel**



**Order No. 5.17505
Foundation Anchor**



**Order No. 5.17633
Foundation Anchor**



Safety distance →
Device dimensions —●—
Functional distance —|—

Scale 1:50

Safety check according to DIN EN 1176

Components

Order No. 5.17505

1 Foundation Anchor

Order No. 5.17633

1 Foundation Anchor for pumps

Order No. 5.17634 / 5.17635

1 Winter lid each

Order No. 5.19003

1 Pump pedestal with stand posts and steel feet

Order No. 5.14190

1 Pedestal with stand posts made of stainless steel for assembling

Installation information

Surfacing requirements recommendation: sand with drainage or pavement

Order No. 5.17505

Foundations 1 item 60 x 60 x 30 cm
Excavation depth 50 cm

Order No. 5.17633

Foundations 1 item 60 x 60 x 50 cm
Excavation depth 50 cm

Order No. 5.19003 / 5.14190
corresponding to a fall height of ≤ 0.60 m (please refer to price list for more detailed information)

Foundations 4 items 50 x 50 x 50 cm
Excavation depth 70 cm

The supply line underneath the pedestals is to be faced on site.

Technical information

Order No. 5.19003 Pump Pedestal
Equipment made of mountain larch

Core-free

Sawn-timbers core-free, thus decreasing occurrences of cracking and undesired changes in shape



Ground anchor

All parts used for anchoring to the ground are made of hot-dip galvanised steel or stainless steel



For more detailed explanation of the quality characteristics see price list.

Order No. 5.14190 Pump Pedestal

Equipment made of stainless steel, glass-bead blasted, surface made of embossed sheet metal, support posts 60 / 60 cm for assembling

For use in aggressive environments such as salt or chlorine water, the equipment is also available in marine grade steel (V4A).

Order No. 5.17505 Foundation Anchor

made of galvanised steel for
Playground Pump **Order No. 5.17500**

Order No. 5.17635 Winter Lid

made of stainless steel for
Playground Pump **Order No. 5.17500**
and Foundation Anchor
Order No. 5.17505

Order No. 5.17633 Foundation Anchor

made of galvanised steel for
Playground Pump **Order No. 5.17630 / 5.17730**

Order No. 5.17634 Winter Lid

made of stainless steel for
Playground Pump **Order No. 5.17630 / 5.17730** and
Foundation Anchor **Order No. 5.17633**

Dimensions

(small deviations possible)

Order No. 5.17505 / 5.17633

Height 0.30 / 0.35 m
Diameter 0.22 / 0.35 m
Weight 7.5 kg

Order No. 5.17634

Diameter 0.34 m
Thickness 2.5 mm
Weight 2 kg

Order No. 5.17635

Diameter 0.22 m
Thickness 2.5 mm
Weight 1 kg

Order No. 5.19003

Width 1.25 m
Depth 1.10 m
Max. height 0.45 m
Weight 95 kg

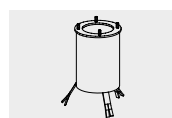
Order No. 5.14190

Width 1.00 m
Depth 1.00 m
Max. height 0.30 m
Weight 65 kg

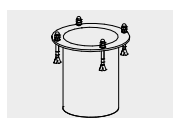
Attention:

Exact measurements may vary; for all installation dimensions refer to current assembly instructions.

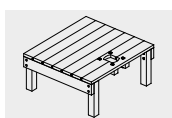
Technical changes reserved.



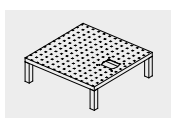
5.17505



5.17633



5.19003



5.14190



Play value

The well designed Mushroom Springs gives off water when the hemisphere on top gets pressed down. The water comes out like a circular veil. When the hemisphere is pressed once, a valve is activated which stops the water flow after 30 seconds (+5 / -10 seconds adjustable), even if pressed permanently. Due to its agreeable design, the Mushroom Springs can also be used in less natural play surroundings.

Fundamental characteristics

- High-quality design
- Automatic water stop
- Unique and original
- Incentive for playing: hemisphere, water
- Movement: physical effort

Recommended for

- School children
- Supervised play areas, such as kindergartens, schools, after-school programmes or similar
- Public play areas without supervision, such as playgrounds, parks or similar
- Swimming pools without supervision, such as outdoor pools, adventure pools or similar
- Water play areas without supervision

Barrier-free

- Independent play



Photo © Paul Upward

Planning information

Individual solutions for the water supply must be devised, depending on the plans. Up-to-date details on the connection for the water supply and other technical information is available to download as a table at our website www.richter-spielgeraete.de.

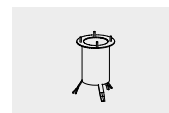
**Mushroom Spring
Foundation Anchor
Mushroom Column Spring**



Order No. 5.18030 / 5.18032 Mushroom Column Spring



5.18000 - 5.18005

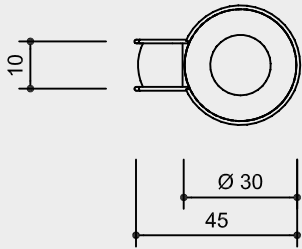
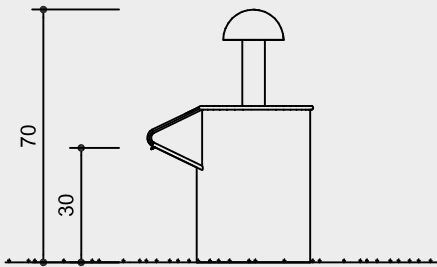


5.18006

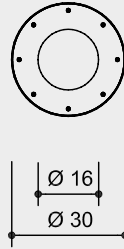
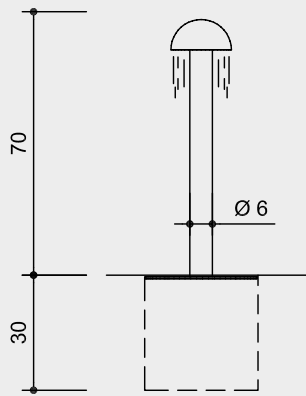


5.18030 / 5.18032

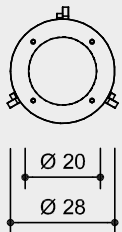
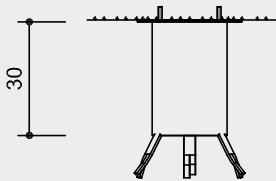
**Order No. 5.18000 / 5.18002 / 5.18005
Mushroom Spring**



**Order No. 5.18030 / 5.18032
Mushroom Column Spring**



**Order No. 5.18006
Foundation Anchor**



Safety distance →
Device dimensions —●—
Functional distance —|—

Scale 1:20

Safety check according to DIN EN 1176

Components

1 Part each

During the frost period the inset with the valve needs to be disassembled.

The opening can be closed with a winter lid **Order No. 0.97840** (see price list).

Attention:
Exact measurements may vary, for all installation dimensions refer to current installation instructions.
Technical changes reserved.
For use in aggressive environments such as salt or chlorine water, the equipment is also available in marine grade steel (V4A).

Technical information

Equipment completely made of stainless steel, glass bead blasted, with self-righting pressure valve

**Order No. 5.18006
Foundation Anchor**
made of galvanised steel

Dimensions
(small deviations possible)

**Order No. 5.18000 / 5.18002 / 5.18005
Mushroom Spring**
Height 0.70 m
Diameter 0.30 m
Width 0.45 m
Weight 37 kg

**Order No. 5.18006
Foundation Anchor**
Height 0.30 m
Diameter 0.28 m
Weight 8 kg

**Order No. 5.18030 / 5.18032
Mushroom Column Spring**
Height 0.70 m
Diameter 0.30 m
Weight 24 kg

Installation information

Surfacing requirements
recommendation: paving stone or similar with gully.

The Mushroom Spring
Order No. 5.18000 can be installed on natural stone, pedestal etc.
Order No. 5.18002 as before, but with programmable rinsing device for direct connection to pressure line.
The Mushroom Spring
Order No. 5.18005 can be installed on concrete Water Basins
Order No. 5.22000, 5.22100, 5.24200 and 5.24400.

Foundations
**Order No. 5.18006
Foundation Anchor**
1 Stück 60 x 60 x 30 cm
Aushubtiefe 50 cm

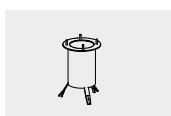
The Mushroom Column Spring **Order No. 5.18030** can be installed in site concrete foundation.
Order No. 5.18032 as before, but with programmable rinsing device for direct connection to pressure line.

Foundations
**Order No. 5.18032
Mushroom Column Spring**
1 item 40 x 40 x 30 cm
Excavation depth 60 cm

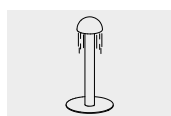
The Mushroom Spring and the Mushroom Column Spring needs to be connected directly to the mains water (2.5 - 5 bar);
Connection thread on Equipment 3/4 inch inside
(we recommend a compression proof diameter 3/4 inch), water requirement approx. 15 l/min



5.18000 - 5.18005



5.18006



5.18030 / 5.18032

Play value

The well designed Water Push Button supplies externally connected nozzles with water when the bright red hemisphere is pressed down. Due to its agreeable design, the Water Push Button can also be used in less natural play surroundings.

Fundamental characteristics

- High-quality design
- Automatic water stop
- Unique and original
- Incentive for playing: hemisphere, water
- Movement: physical effort

Recommended for

- School children
- Supervised play areas, such as kindergartens, schools, after-school programmes or similar
- Public play areas without supervision, such as playgrounds, parks or similar
- Swimming pools without supervision, such as outdoor pools, adventure pools or similar
- Water play areas without supervision

Barrier-free

- Independent play



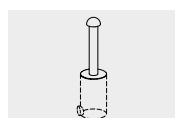
Photo © Daniel Perales

Water Push Button with installation housing

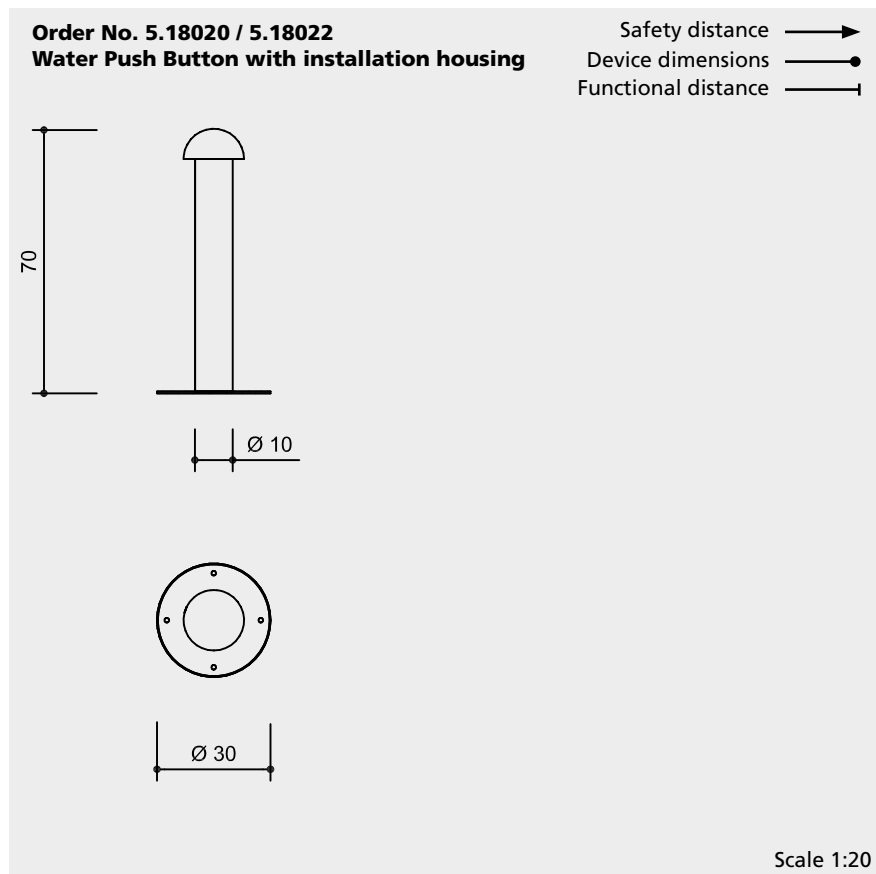
Planning information

The Water Push Button is only suitable for direct connection to the pressure line. Pushing the hemispherical button activates the Spraying Heads. When the hemispherical button is pressed once, a valve is activated that automatically stops the water flow after 30 seconds (+5 / -10 seconds adjustable), even if pressed permanently.

Individual solutions for the water supply must be devised, depending on the plans. Up-to-date details on the connection for the water supply and other technical information is available to download as a table at our website www.richter-spielgeraete.de.



5.18020 / 5.18022



Safety check according to DIN EN 1176

Components

Order.-Nr.: 5.18020

- 1 Water Push Button with programmable flushing device for direct connection to the pressure line

Order.-Nr.: 5.18022

- 1 Water Push Button with installation housing and with programmable flushing device for direct connection to the pressure line

Installation information

Reinforced surface
 Foundations
 1 item 40 x 40 x 30 cm
 Excavation depth 80 cm

During the frost period the inset with the valve needs to be disassembled. The opening can be closed with a winter lid **Order No. 0.97840** (see price list).

Attention:

Exact measurements may vary, for all installation dimensions refer to current installation instructions.

Technical changes reserved.

For use in aggressive environments such as salt or chlorine water, the equipment is also available in marine grade steel (V4A).

Technical information

Equipment made of stainless steel, glass bead blasted, with coloured hemisphere RAL 3000, other colours on request

Connection to mains water is integrated in the galvanised pillar; Connection thread on Equipment 3/4" inside; min. 2,5 bar max. 5 bar water pressure

We recommend a compression proof diameter 1/2 inch Water requirement approx. 15 l/min

Order No. 5.18022

As above, but in addition with programmable flushing device for direct connection to the pressure line.

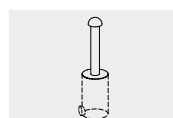
Dimensions

(small deviations possible)

Order No. 5.18020 / 5.18022

Water Push Button with installation housing

Height	0.70 m
Diameter column	0.10 m
Weight	26 kg



5.18020 / 5.18022

Play value

It's not immediately clear for what purpose these funny coloured mushroom heads can be used. When the two handles, which invite hands-on activity, are pressed down hard, a wide jet of water rises from the nozzle in the head as a result of the pumping process. The top part of the pump can be rotated 360°. This makes it possible to spray all around, so that you can follow the escaping person and make them wet as long as they are within reach. To ensure fair conditions, the Splash Pump should ideally be installed in pairs. In water playgrounds or swimming pools, Splash Pumps offer another fun way to experience water.

Fundamental characteristics

- It's possible to see the correlation between physical effort and reach of the water jet through the mechanical piston pump.
- Rotatable 360°, spraying distance up to 10 m
- Position of sprayhead can be changed (mushroom head)
- Incentive for playing: coloured head, handles
- Movement: physical effort, aiming at a target

Recommended for

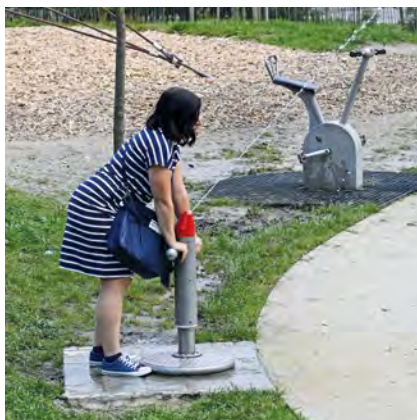
- School children
- Supervised play areas, such as kindergartens, schools, after-school programmes or similar
- Public play areas without supervision, such as playgrounds, parks or similar
- Swimming pools without supervision, such as outdoor pools, adventure pools or similar
- Water play areas without supervision



Photo © Anton Donikov



Photo © Anton Donikov



Order No. 5.18050 Splash Pump with fixed sprayhead

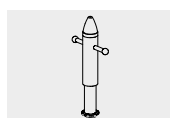
Planning information

For special installations please request planning aid. Connection line for water supply is not included in the scope of delivery. Allow for drainage (frost protection in winter). Dismantle the splash pump before the frost period and store it frost-proof. Drain intake container and supply line before the frost period.

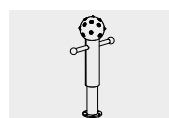
Individual solutions for the water supply must be devised, depending on the plans. Up-to-date details on the connection for the water supply and other technical information is available to download as a table at our website

www.richter-spielgeraete.de.

**Splash Pump with fixed sprayhead
 Splash Pump with mushroom head
 Intake Container
 Foundation Anchor**



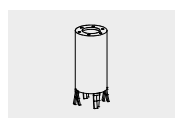
5.18050



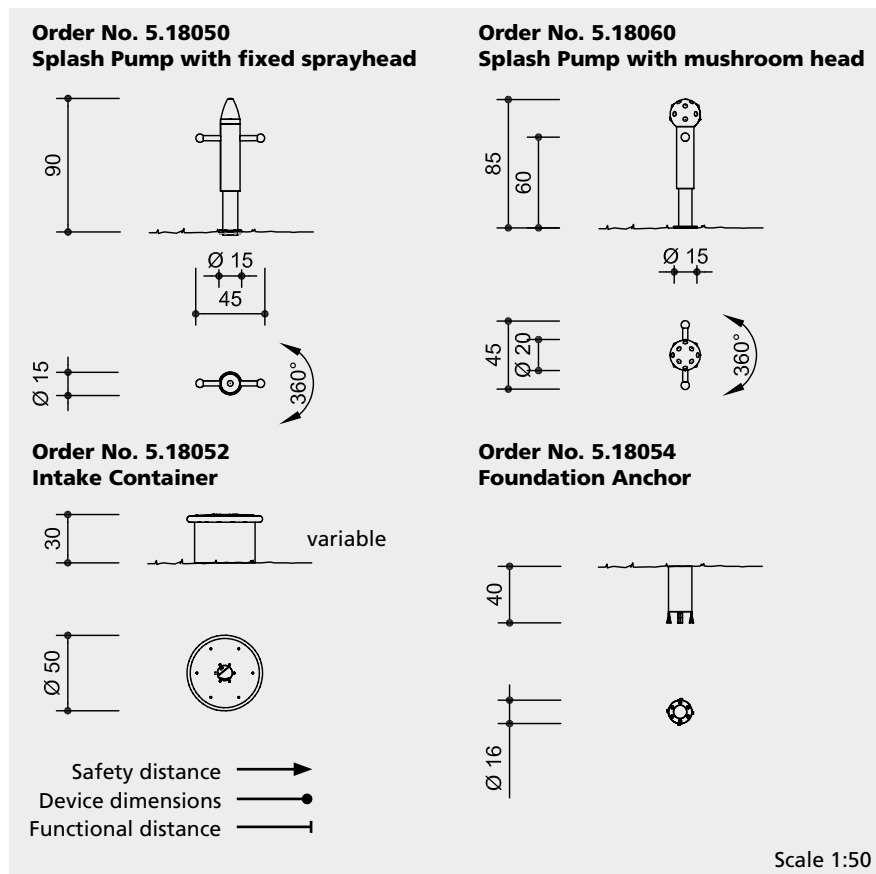
5.18060



5.18052



5.18054



Safety check according to DIN EN 1176

Components

- Order No. 5.18050**
1 Splash Pump with fixed sprayhead
- Order No. 5.18060**
1 Splash Pump with mushroom head
- Order No. 5.18052**
1 Intake Container with float valve
- Order No. 5.18054**
1 Foundation Anchor
- Order No. 5.18055**
1 Winter Lid

Installation information

Surfacing requirements
sand/gravel, paving stone or similar with drainage possibility.
The splash angle of 360° can be restricted at extra cost.

Foundations
Order No. 5.18052
surfacing must be ready to take heavy-duty bolts, level depends on the installation conditions
Order No. 5.18054
1 item approx. 60 x 60 x 40 cm
Excavation depth 50 cm

Attention:
Exact measurements may vary; for all installation dimensions refer to current assembly instructions.
Technical changes reserved.
For use in aggressive environments such as salt or chlorine water, the equipment is also available in marine grade steel (V4A).

Technical information

Equipment made of stainless steel

Order No. 5.18050
Splash Pump with fixed sprayhead
Glass-bead blasted with fixed sprayhead, colour of top part: RAL colour 3000, other colours on request
External thread 3/4 inch, suction line diameter 1/2 inch, max. suction height 2.50 m, max. distance from water source 6 m

Order No. 5.18060
Splash Pump with mushroom head
Glass-bead blasted, the position of the sprayhead can be changed in our workshop or by maintenance personnel. Colour and connection specifications as for **Order No. 5.18050**

Order No. 5.18052 Intake Container
Glass-bead blasted, with integrated float valve for connection to water mains supply (max. 6 bar), external thread 3/4 inch, pressure-resistant pipeline, diameter 1/2 inch

Water requirement approx. 4 l/min

Order No. 5.18054 Foundation Anchor
made of galvanised steel

Order No. 5.18055 Winter Lid
made of stainless steel for Intake Container **Order No. 5.18052** and Foundation Anchor **Order No. 5.18054**

Dimensions
(small deviations possible)

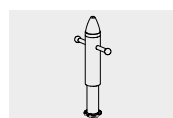
Order No. 5.18050
Splash Pump with fixed sprayhead
Height 0.90 m
Diameter at top 0.25 m
Weight 23 kg

Order No. 5.18060
Splash Pump with mushroom head
Height 0.85 m
Diameter with handles 0.45 m
Mushroom head 0.20 m
Weight 30 kg

Order No. 5.18052
Intake Container
Height 0,30 m
Diameter 0.50 m
Weight 20 kg

Order No. 5.18054
Foundation Anchor
Height 0.40 m
Diameter 0.15 m
Weight 7 kg

Order No. 5.18055
Winter Lid
Diameter 15 cm
Weight 0.60 kg



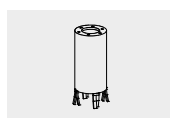
5.18050



5.18060



5.18052



5.18054



Order No. 5.18130 Pedal Pump with Spray Head in Handlebar

Play value

Making water move using the strength of your own body and recognising the immediate effect of a strong jet of water: this association becomes the central experience at the Pedal Pump. The effort-less operation of the crank fades into the background; however at the same time it quickly becomes clear that this is the initiating action. During intensive play, the enthusiasm increases by changing the jet with just a simple turn of the handlebars. Fixed structures can be used as targets and movable targets act as an incentive for intensive effort.

Fundamental characteristics

- Immediately recognisable incentive to exercise
- Robust design
- Water jet as surprising action
- Movement: targeting, physical effort



Order No. 5.18230 Pedal Pump for external Spray Head, Photo © Ross Gilmore

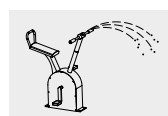


Order No. 5.18130 Pedal Pump with Spray Head in Handlebar

**Pedal Pump with Spray Head in Handlebar
Pedal Pump for external Spray Head
Concrete Well**

Recommended for

- School children
- Supervised play areas, such as kindergartens, schools, after-school programmes or similar
- Public play areas without supervision, such as playgrounds, parks or similar
- Swimming pools without supervision, such as outdoor pools, adventure pools or similar
- Water play areas without supervision



5.18130


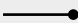
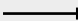


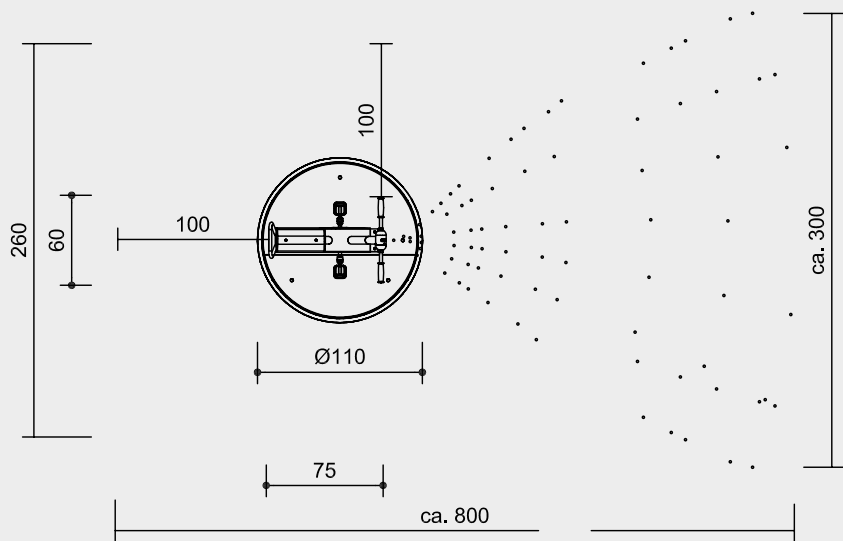
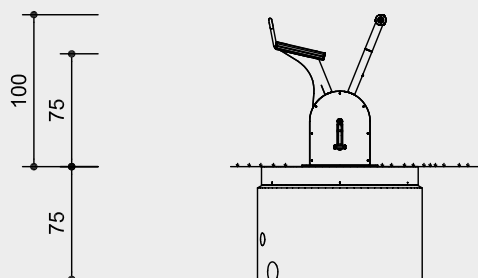
5.18230



5.18250

Order No. 5.18130
Pedal Pump with Spray Head in Handlebar

Safety distance 
 Device dimensions 
 Functional distance 



Scale 1:50

Safety check according to DIN EN 1176

Components

Order No. 5.18130

- 1 Pedal Pump with Spray Head in Handlebar
- 1 Winter lid

Order No. 5.18230

- 1 Pedal pump for external Spray Head
- Spray Head not included**
- 1 Winter lid

Order No. 5.18250

- 1 Concrete Well with integrated stainless steel water reservoir.

Installation information

Surfacing requirements
 no fall protection requirements
 suitable for heavy duty bolts

Concrete Well
 Excavation diameter 110 cm
 Excavation depth 85 cm
 (incl. 10 cm Clean layer)

Technical information

Equipment made of stainless steel, glass bead blasted

Seating surface made of rubber

Order No. 5.18130 Pedal Pump with Spray Head in Handlebar

For self-priming operation
 external connection thread 3/4 inch
 vacuum suitable hose Ø 1/2inch

Order No. 5.18230 Pedal Pump for external Spray Head

As above, external connection thread to spray Head 3/4 inch.

Order No. 5.18250 Concrete Well

connection to mains water max. 6 bar
 connection thread 1 inch inside
 compression proof diameter 3/4 inch
 water requirement approx. 2l/min

Dimensions

(small deviations possible)

Pedal Pump	
Total height	1.00 m
Seat height	0.75 m
Length	0.75 m
Width	0.60 m
Weight	60 kg
Concrete Well	
Installation depth	0.75 m
Diameter	1.10 m
Weight	690 kg

Planning information

For connection to water mains use **Order No. 5.18250 Concrete Well** with integrated stainless steel water reservoir.

Alternatively **Order No. 5.17100 Valve combination** can be used.

Individual solutions for the water supply must be devised, depending on the plans. Up-to-date details on the connection for the water supply and other technical information is available to download as a table at our website

www.richter-spielgeraete.de.

Attention:

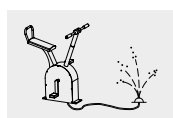
Exact measurements may vary; for all installation dimensions refer to current assembly instructions.

Technical changes reserved.

For use in aggressive environments such as salt or chlorine water, the equipment is also available in marine grade steel (V4A).



5.18130



5.18230



5.18250



Photo © Daniel Perales

Play value

The Little Whale is a point of attraction for water play areas. It does not only have a very appealing design, there is also a surprise hidden inside. It is necessary to use the whole body for obtaining the desired effect. When the Little Whale moves to and fro, it expels a water jet. But it is also possible to sit on the whale and to be rocked softly. The Little Whale is a very attractive play offer also for town centres.

Fundamental characteristics

- Attractive, child-orientated design
- Integrated pressure pump for creating the water jet
- Incentive for playing: animal
- Movement: moving one's centre of gravity

Recommended for

- School children
- Public play areas without supervision, such as kindergartens, schools, after-school programmes or similar
- Swimming pools without supervision, such as outdoor pools, adventure pools or similar



Photo © Daniel Perales



Planning information

Individual solutions for the water supply must be devised, depending on the plans. Up-to-date details on the connection for the water supply and other technical information is available to download as a table at our website www.richter-spielgeraete.de.

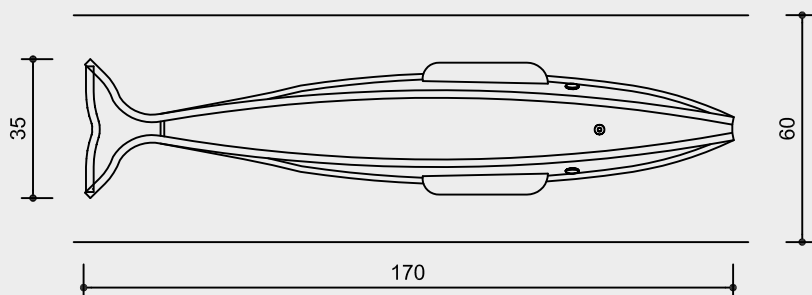
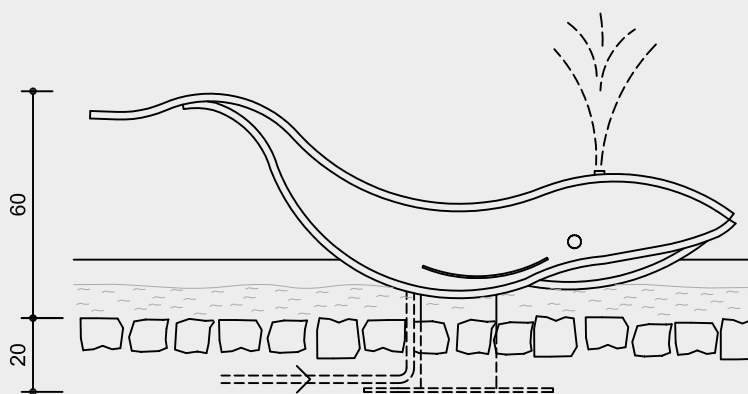
Little Whale



5.18500

Order No. 5.18500
Little Whale

Safety distance 
 Device dimensions 
 Functional distance 



Scale 1:20

Technical information

Equipment made of stainless steel,
 glass bead blasted

Sintered bush

For all reciprocating movements we use sintered plain bearings which are self-lubricating in use and can easily be exchanged if necessary



For more detailed explanation of the quality characteristics see price list.

Integrated float valve for direct connection to the mains water, max. 6 bar
 External connection thread 1/2 inch
 Compression proof diameter 1/2 inch
 Water requirements approx. 4 l/min

Dimensions

(small deviations possible)

Height	0.60 m
Length	1.70 m
Width	0.35 m
Weight	45 kg

Attention:

Exact measurements may vary; for all installation dimensions refer to current assembly instructions.
 Technical changes reserved.
For use in aggressive environments such as salt or chlorine water, the equipment is also available in marine grade steel (V4A).

Safety check according to DIN EN 1176

Components

- 1 Whale with base plate for dowelling, with float tank

Installation information

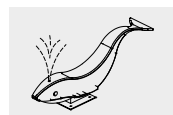
Surfacing requirements
 Surfacing requirements for heavy duty bolting corresponding to a fall height of ≤ 0.60 m (please refer to price list for more detailed information)

Paving stone or similar with drainage

The water depth has no influence on the function.

Foundations
 1 item 80 x 50 x 50 cm
 Excavation depth 70 cm

Water supply need to be made by the customer.



5.18500

Play value

The See-saw Pump is a very attractive element on water play areas. One child can operate the pump by moving his or her centre of gravity, but also two children can work together for moving the pump to and fro. The holding tube provides safety and helps to coordinate the movement with the others. The pump is also available with a lateral water outlet (special construction) which can be used as water supply for a small channel or a gutter. The combination of the See-saw Pump with a Spraying Head is especially attractive. This can produce a high or a bubbling water jet, depending on the type. It is funny if the Pump and the Spraying Head are installed without visible connection between each other and the fountain unexpectedly splashes passers-by.



Photo © Anton Donikov



Photo © Daniel Perales



Photo © Paul Upward



Fundamental characteristics

- Can also be used for producing water pressure
- Unique and original
- Incentive for playing: holding tube, inclined surface
- Movement: moving one's centre of gravity

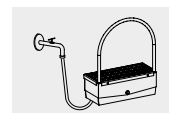
Recommended for

- School children
- Young people
- Water play areas without supervision

Planning information

Individual solutions for the water supply must be devised, depending on the plans. Up-to-date details on the connection for the water supply and other technical information is available to download as a table at our website www.richter-spielgeraete.de.

See-saw Pump for direct connection to the water main
See-saw Pump for water supply from a pond or similar



5.18600

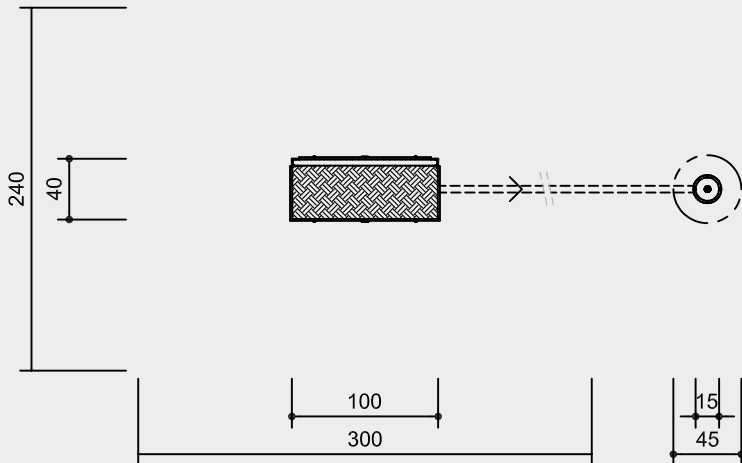
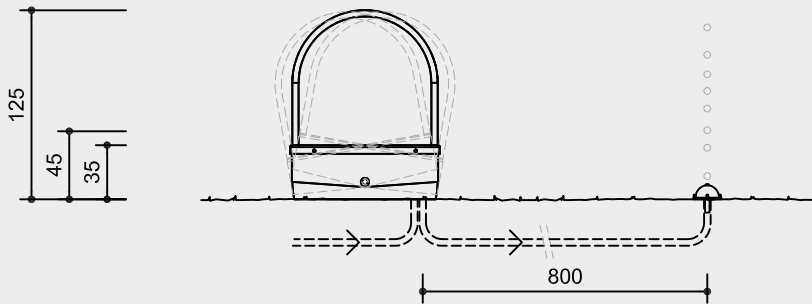


5.18700

Order No. 5.18600

See-saw Pump for direct connection to the water main

Safety distance →
 Device dimensions —●—
 Functional distance —|—



The following drawings show examples of different possibilities of installation.

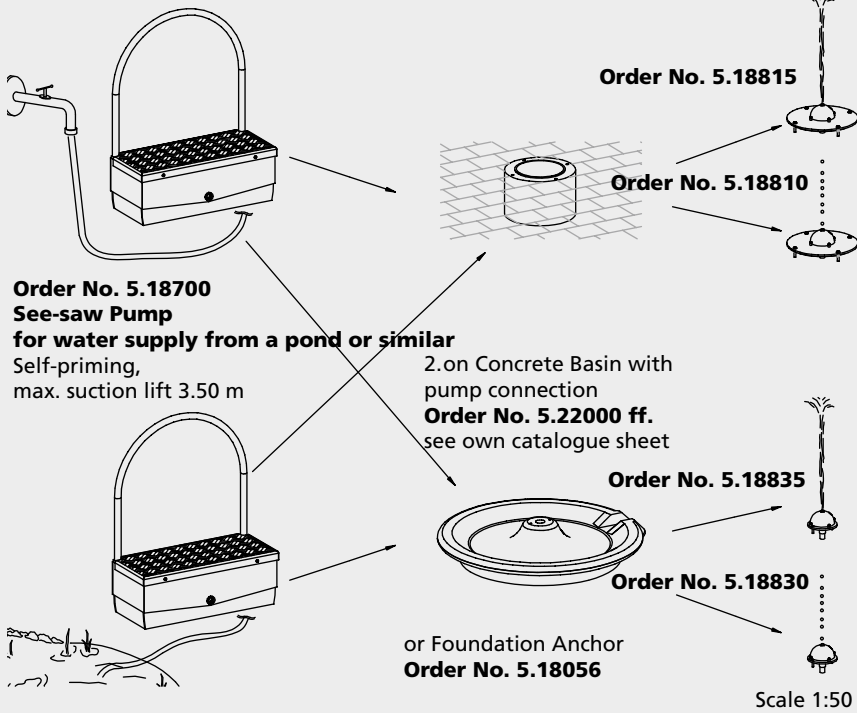
Other combinations with equipment from our water play range are possible.

Order No. 5.18600

See-saw Pump for direct connection to the water main
 Water pressure max. 6 bar

Installation of the Spraying Head

Type of Spraying Head



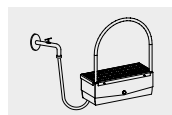
Order No. 5.18700
See-saw Pump for water supply from a pond or similar
 Self-priming, max. suction lift 3.50 m

2. on Concrete Basin with pump connection
Order No. 5.22000 ff.
 see own catalogue sheet

or Foundation Anchor
Order No. 5.18056

Scale 1:50

Safety check according to DIN EN 1176



5.18600



5.18700

Technical information

Housing of the pump completely made of stainless steel, glass bead blasted.
 Tread surface of embossed sheet.

Sintered bush

For all reciprocating movements we use sintered plain bearings which are self-lubricating in use and can easily be exchanged if necessary



For more detailed explanation of the quality characteristics see price list.

Holding tube made of metal tube with a diameter of 42 mm

The type of the See-saw Pump and the water connection depend on the local situation

Required diameter for external water supply 1 inch
 Compression proof or vacuum-suitable proof diameter 1 inch
 Water requirement approx. 15 l/min

Dimensions

(small deviations possible)

Height	1.25 m
Length	1.00 m
Width	0.40 m
Max. pedestal height	0.45 m
Weight	100 kg

Components

- 1 See-saw Pump with foundation frame and with coupling

Note

For areas with intense solar radiation we offer a wooden deck for the tread surface in order to reduce heating-up (**Order No. 0.57300**).

Installation information

Reinforced surface

When planning the installation, ensure the spraying head or a similar outlet (e. g. rock fountain) is located at a level higher than the See-Saw-Pump. Otherwise water will run through permanently (**Order No. 5.18600**).

Foundations
 1 item 90 x 35 x 50 cm
 Excavation depth 50 cm

Attention:

Exact measurements may vary; for all installation dimensions refer to current assembly instructions.

Technical changes reserved.

For use in aggressive environments such as salt or chlorine water, the equipment is also available in marine grade steel (V4A).

Play value

To set water in motion with your own physical strength and to recognise the immediate effect – this connection becomes a central experience when handling pumps and jets. Our sprayheads are suitable for every water play area and are fun for small and big children. Combined with our pumps, the various sprayheads can be activated in such a way that bubbling, refreshing water sprays upwards.

Fundamental characteristics

- Water jet as a surprising event
- Incentive for playing: observe, curiosity



Order No. 5.18810 Sprayhead with large flange



Order No. 5.18870 Simple Spraying Head, Photo © Paul Upward

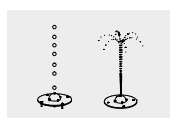
**Sprayheads
Simple Spraying Heads
Fountain Sprayheads**

Recommended for

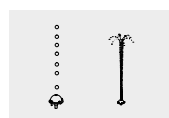
- School children
- Supervised play areas, such as kindergartens, schools, after-school programmes or similar
- Public play areas without supervision, such as playgrounds, parks or similar
- Swimming pools without supervision, such as outdoor pools, adventure pools or similar
- Water play areas without supervision

Barrier-free

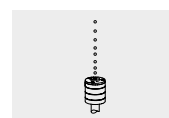
- Independent play



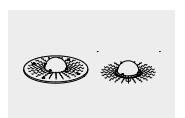
5.18810 - 5.18818



5.18830 - 5.18838



5.18870 - 5.18873



5.18880 / 5.18885



Photo © Ross Gilmore



Photo © Ross Gilmore

Technical information

Order No. 5.18810 - 5.18818
Sprayheads with large flange
Order No. 5.18810 with soft water jet
Order No. 5.18815 with strong water jet
Order No. 5.18816 / 5.18817 / 5.18818
 with soft water jet and different jet heights
Order No. 5.18880 Fountain Sprayhead

Order No. 5.18830 - 5.18838
Sprayheads with small flange
Order No. 5.18830 with soft water jet
Order No. 5.18835 with strong water jet
Order No. 5.18836 / 5.18837 / 5.18838
 with soft water jet and different jet heights
Order No. 5.18885 Fountain Sprayhead

Sprayheads made of stainless steel,
 glass-bead blasted, with brass sprayhead
 External thread 1 inch
 Line diameter 3/4 inch
 Max. distance from water source 8 m

Order No. 5.18056
Foundation Anchor for Sprayheads
 Foundation anchor for small flange,
 hot-dip galvanised

Order No. 5.18870 / 5.18871 / 5.18872
/ 5.18873 Simple Spraying Heads
 Sprayhead made of stainless steel,
 glass-bead blasted, with brass sprayhead,
 without cleaning mechanism
 External thread 3/4 inch
 Line diameter 3/4 inch
 Max. distance from water source 8 m



Order No. 5.18810 Sprayhead with large flange, Photo © Paul Upward

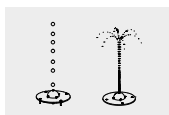
Components

Order No. 5.18810 - 5.18818
/ 5.18830 - 5.18838
 1 Sprayhead with coupling

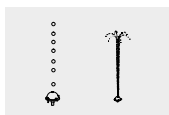
Order No. 5.18870 - 5.18873
 1 Sprayhead with coupling

Order No. 5.18056
 1 Foundation anchor

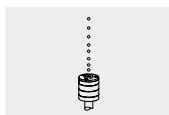
Order No. 5.18880 / 5.18885
 1 Fountain Sprayhead with coupling



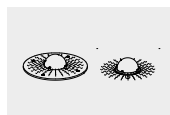
5.18810 - 5.18818



5.18830 - 5.18838



5.18870 - 5.18873



5.18880 / 5.18885

Planning information

The sprayheads with the **Order No. 5.18815, Order No. 5.18835 and Order No. 5.18873** produce a high, sharp water jet.

They should only be used where the sprayheads are not accessible, e.g. in a pond which is not used for swimming, and with sufficient distance to the shore. Please note the higher cleaning effort involved when using the Simple Spraying Head, **Order No 5.18816 / 5.18817 / 5.18818 / 5.18836 / 5.18837 / 5.18838 / 5.18870 / 5.18871 / 5.18872.**

Consider using the Sprayhead with cleaning mechanism (**Order No. 5.18810 / 5.18830**).

The different types of spraying heads have different jet heights. These cannot be defined exactly for various reasons: Water pressure and volume flow depend on the child's pumping movement, whether they press a button or pump manually using a pumping device, e.g. a see-saw pump. The number of jets may also have varying effects.

If you plan to connect several spraying heads, we recommend a parallel water supply, unless the „Bernoulli effect“ is desired, in which case the spraying heads can also be connected in series. We will be happy to advise you on the possible combinations of different spraying heads and pumps.

Individual solutions for the water supply must be devised, depending on the plans. Up-to-date details on the connection for the water supply and other technical information is available to download as a table at our website **www.richter-spielgeraete.de.**



Photo © Ross Gilmore



Order No. 5.18830 Sprayhead with small flange

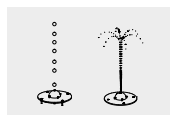


Photo © Ross Gilmore



Order No. 5.18830 Sprayhead with small flange

**Sprayheads
Simple Spraying Heads
Fountain Sprayheads**



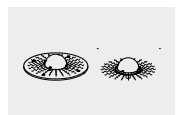
5.18810 - 5.18818



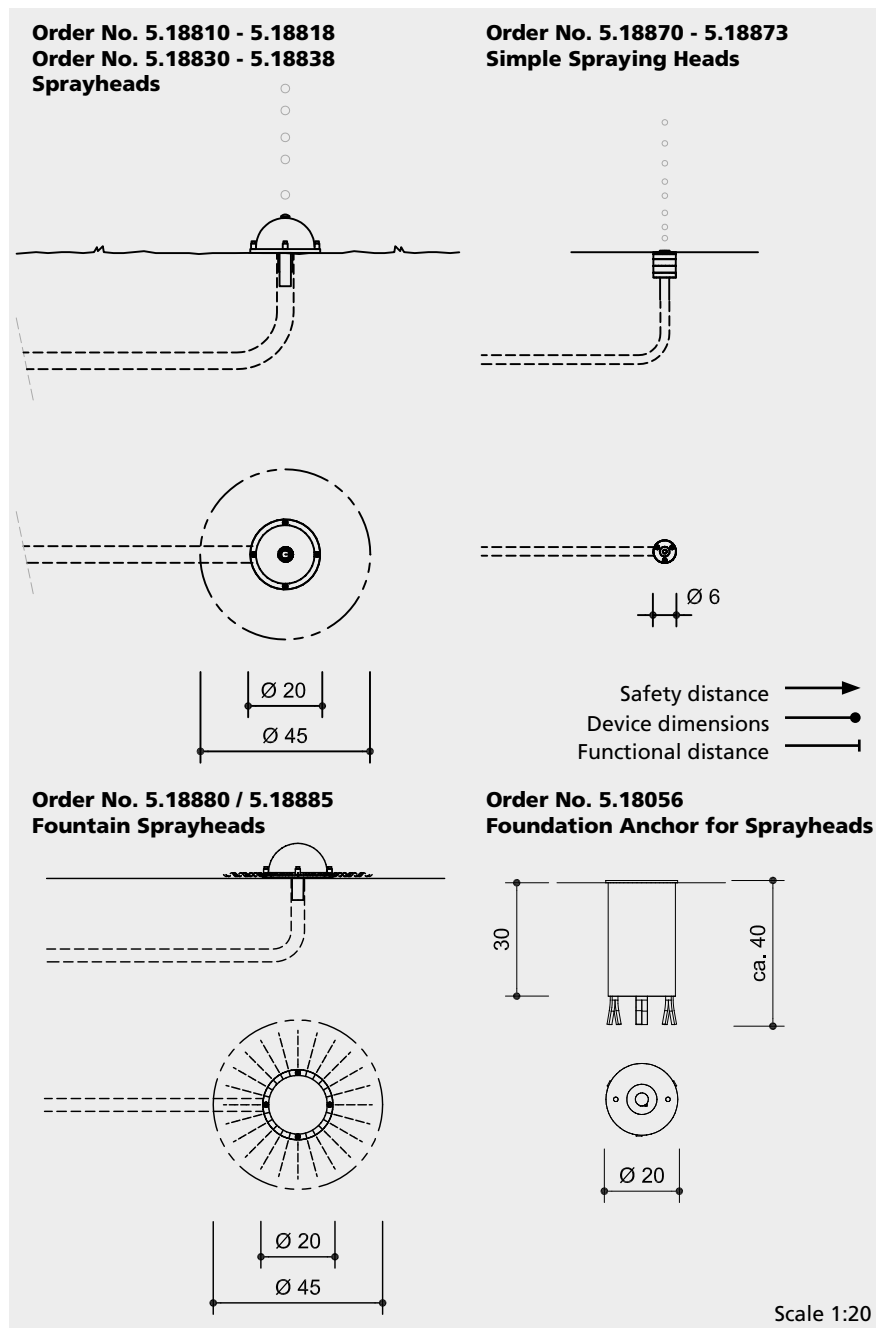
5.18830 - 5.18838



5.18870 - 5.18873



5.18880 / 5.18885



Dimensions
(small deviations possible)

Sprayheads and Fountain Sprayhead with large flange
Flange diameter 0.45 m
Weight 12 kg

Sprayheads and Fountain Sprayhead with small flange
Flange diameter 0.20 m
Weight 4 kg
Diameter of the hemisphere 0.15 m

Order No. 5.18056 Foundation Anchor for Sprayheads
Flange diameter 0.20 m
Height 0.40 m
Weight 7.5 kg

Order No. 5.18870 - 5.18873 Simple Spraying Heads
Diameter 0.06 m
Weight 1 kg

Safety check according to DIN EN 1176

Installation information

Water supply for sprayheads to be prepared by the customer.

Sprayheads with large flange / Fountain Sprayheads

Surfacing suitable for heavy-duty bolts
Foundation
1 item, ext. diam. 0.45 m, int. 0.25 m, depth 0.30 m

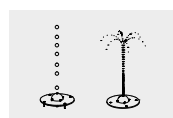
Sprayheads with small flange / Fountain Sprayheads

Surfacing suitable for heavy-duty bolts, alternatively, installation with foundation anchor **Order No. 5.18056** or water basins **Order No. 5.24200 / 5.24400**

Foundation anchor

Surfacing requirements:
none/accord. to playground
Foundation
60 x 60 x 30 cm, Excavation depth 50 cm
Simple Spraying Heads
To be stuck into a base element (e.g. stone plate) with drill hole, diameter 62 mm

Attention:
Exact measurements may vary; for all installation dimensions refer to current assembly instructions.
Technical changes reserved.
For use in aggressive environments such as salt or chlorine water, the equipment is also available in marine grade steel (V4A).



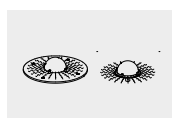
5.18810 - 5.18818



5.18830 - 5.18838



5.18870 - 5.18873



5.18880 / 5.18885



Photo © Paul Upward



Play value

A floating water supply often is the central feature of water play. A great way of moving water from a lower to a higher level is the Archimedes Screw, the old principle of water screws. Its turning draws water from the lower basin as it travels upwards with the movement of the spiral and pours it into the upper basin. This physical process is precisely observed and used with great pleasure as a means of transporting water. The open spiral makes the procedure visible and it is even possible to use it for transporting solid materials e.g. gravel.



Photo © Daniel Perales

Archimedes Screws with different drive mechanisms

Fundamental characteristics

- High-quality design
- Surprising old principle
- Encourages co-operation and communication
- Incentive for playing: appealing design, curiosity
- Movement: physical effort, turning

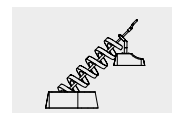
Recommended for

- School children
- Young people
- Water play areas without supervision
- Public play areas without supervision such as playgrounds, parks or similar
- Swimming pools without supervision, such as outdoor pools, adventure pools or similar

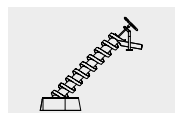


Barrier-free

- Independent play



5.20500

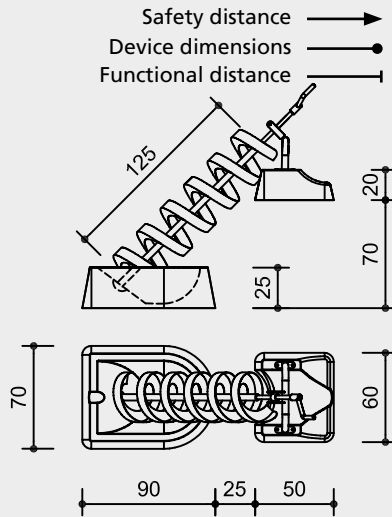


5.20800

Order No. 5.20500

Archimedes Screw with Crank

Open, made of stainless steel, with 2 basins
 Concrete basin at the bottom
 Open screw, flank height 7 cm
 Length 1.25 m
 Drive mechanism with crank
 Fixing with support bow
 Run-out at the top into concrete basin



Order No. 5.20800

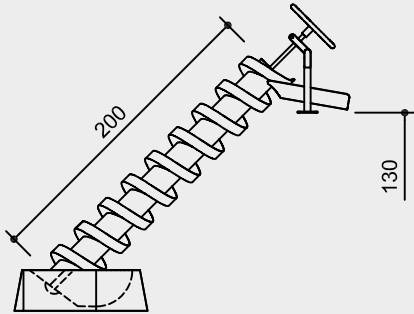
Archimedes Screw, open

made of stainless steel, special version (on request)

Examples with 45° inclination

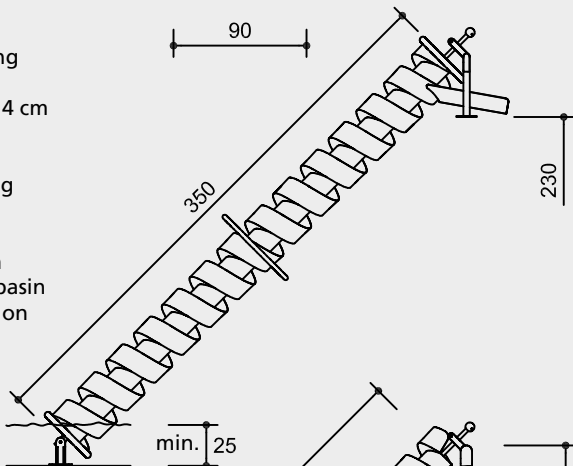
Example 1:

Concrete basin at the bottom
 Open screw, flank height 7 cm
 Length 2.00 m
 Drive mechanism with hand wheel, Ø 40 cm
 Fixing at the top with high support bow on channel or similar built on site



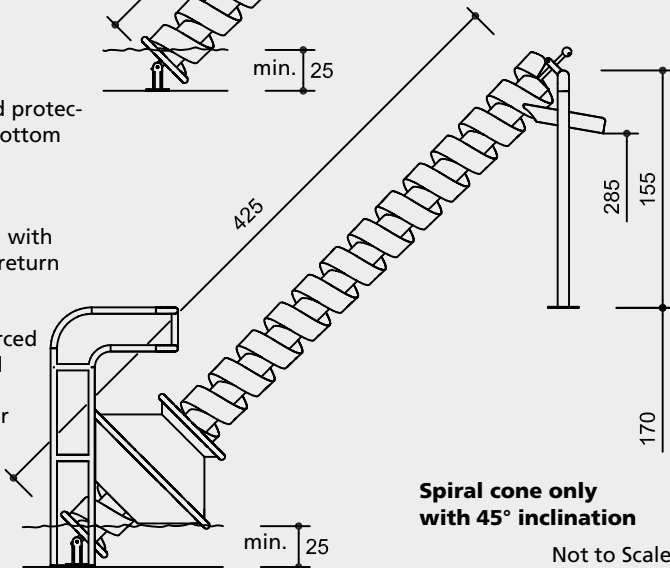
Example 2:

Fixing flange and protecting disc at the bottom
 Open screw, flank height 14 cm
 Length 3.50 m
 With strong axle
 Drive mechanism w. turning ring Ø 60 cm
 Return stop
 Fixing at the top with high support bow and run-out basin on channel or similar built on site



Example 3:

Fixing flange and protecting disc at the bottom
 Open screw
 Length 4.25 m
 With strong axle
 Drive mechanism with spiral cone, incl. return stop and frame
 Fixing at the top with high reinforced support bow and run-out basin on channel or similar built on site



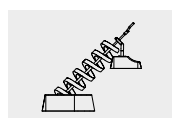
Spiral cone only with 45° inclination

Not to Scale

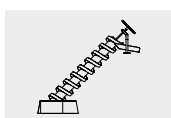
Safety check according to DIN EN 1176

Attention:

Exact measurements may vary; for all installation dimensions refer to current assembly instructions. Technical changes reserved.



5.20500



5.20800

Technical information

All Archimedes Screws are provided with self-lubricating bearings.

Order No. 5.20500

Archimedes Screw with Crank

Open, stainless steel, glass bead blasted, see sketch

Order No. 5.20800

Archimedes Screw, open

Stainless steel, glass bead blasted, lengths up to 5 m are possible at request, see examples
 Open screw with two flank heights:
 7 cm for conveying approx. 0.3 l/rotation, min. water level 20 cm
 14 cm for conveying approx. 1.5 l/rotation, min. water level 25 cm

Dimensions (See sketches)
 (small deviations possible)

Optimum conveyance is achieved at 45° inclination.

The Archimedes Screws have been designed as a modular system – suitable bearings, drive mechanisms and fixing elements can be combined as desired.

- Lower bearing
 - Concrete basin
 - Fixing flange with protecting disc
 - Drive
 - Crank mechanism (up to length 1.75 m)
 - Hand wheel Ø 40 / 60 cm
 - Turning ring Ø 60 cm, ex works in any axial position
 - Spiral cone, ex works in any axial position
 - Top fixing
 - Bow with concrete basin
 - High support bow with / without run-out basin
 - High reinforced support bow tube diameter 60.3 mm, variable height up to 1 m
 - High reinforced support bow tube diameter 76 mm, variable height from 1 to 2 m
 - Support bow for round water basins,
- Order No. 5.24200 / 5.24400**

Weight and included components depending on equipment type.

Installation information

Surfacing requirements
 no fall height according to standard
 Recommendation: underground adequate for heavy duty bolting with drainage
 Water supply as well as reservoir and collecting basin, if applicable, to be provided on site (by customer).

Foundation – depending on type

For use in aggressive environments such as salt or chlorine water, the equipment is also available in marine grade steel (V4A).

Design

We have developed different screws and drive mechanisms in order to enlarge the scope of use for the designer. The open screw with high or low rim can surmount large differences in height and demonstrates in an impressive way the physical effect of the Archimedean principle. The use of various drive mechanisms such as crank, turning ring and hand wheel is closely linked to the length of the spiral and the required effort for turning it.

Planning information

We gladly offer our support during your planning process, to help you find the right accessories. To do so, we need information on the levels of the lower water basin and the run-out, the desired water output and the type of water supply. A sketch of the installation location in plan and section would be very helpful for us.

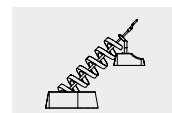


Photo © Daniel Perales

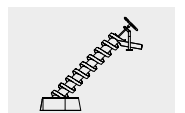


Photo © Daniel Perales

Archimedes Screws with different drive mechanisms



5.20500



5.20800



Photo © Paul Upward



David and Goliath

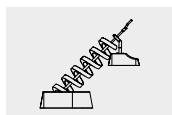
You have to use all your physical strength to be able to transport water from a low level to a much higher one using the spiral cone. The running drum can be positioned at different heights; at the bottom to "screw" water upwards or at the top to convey water from the bottom to the top. This special Archimedes Screw therefore has a similar effect to "David versus Goliath": David's strength is concealed; the screw reaches far down into a well while Goliath impressively displays his entire strength.



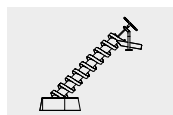
Photo © Ross Gilmore



Photo © Daniel Perales



5.20500



5.20800

Play value

Water play facilities which are not installed in natural surroundings using the typical design elements, become interesting by other special features. The Rotating Conveyor with its technical appearance scoops water, pours the water in differently shaped containers which get filled one after the other, like a cascade, and finally lets the water flow down. Water can be experienced in a lively, steadily changing form. The Tipper Trays can also be combined with other water scooping elements.



Photo © Daniel Perales

Rotating Conveyor with Tipper Trays

Fundamental characteristics

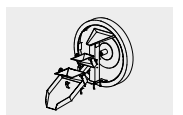
- Unique and original
- High-quality metal construction
- Exclusive design
- Incentive for playing: large wheel
- Movement: physical effort

Recommended for

- Kindergarten children
- School children
- Public play areas without supervision, such as playgrounds, parks or similar
- Swimming pools without supervision, such as outdoor pools, adventure pools or similar

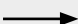
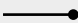

Barrier-free

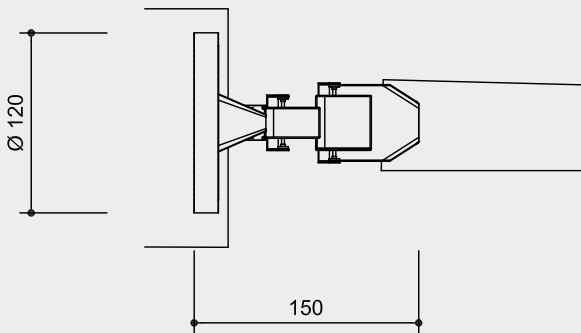
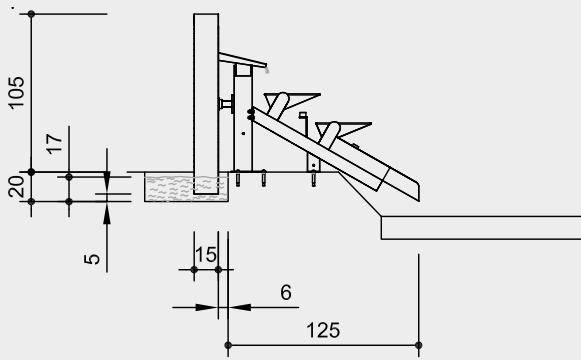
- Independent play



5.20850

Order No. 5.20850
Rotating Conveyor with Tipper Trays

Safety distance 
 Device dimensions 
 Functional distance 



Scale 1:50

Safety check according to DIN EN 1176

Components

- 1 Rotating Conveyor with run out
- 1 Gutter element with 2 Tipper Trays

Installation information

Surfacing requirements
 no fall height according to standard

We recommend underground for heavy duty bolting with drainage

- Water depth: for a proper function a min. water depth of 17 cm is required.
- Water supply and water basin have to be provided for on site.

Foundations
 Support posts with flanges for fixation with screws.

Technical information

Equipment made of stainless steel, glass bead blasted

Roller bearings

Roller bearings made of stainless steel for rotating elements, easy to maintain and exchange, sealed



For more detailed explanation of the quality characteristics see price list.

Dimensions

(small deviations possible)

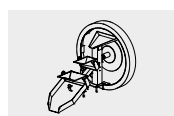
Length	1.50 m
Diameter	1.20 m
Weight	130 kg

Attention:

Exact measurements may vary; for all installation dimensions refer to current assembly instructions.

Technical changes reserved.

For use in aggressive environments such as salt or chlorine water, the equipment is also available in marine grade steel (V4A).



5.20850



Order No. 5.42010 Water Scoop



Order No. 5.20880 Scooping Wheel, Photo © Daniel Perales

**Scooping Wheel
Water Scoop**

Play value

This equipment is a nicely shaped water scoop where children can play and observe the flowing characteristics of water. When the wheel is turned around, water is drawn from the basin. The water then pours into the channels on both sides. It is directed by the channels into the flow dish and is redirected from there into the basin through a water outlet pipe. The water quantity coming into the channels varies with relation to the rotating speed of the wheel. The water can, for example, flow from both sides into the dish so that a constantly changing flow configuration results.

Fundamental characteristics

- Special technical solution for water intake and distribution
- Awarded design
- Through water flow from both sides, special flow configurations can be observed
- The Scooping Wheel can also be combined with other water play systems
- Unique and original
- Incentive for playing: big wheel

Recommended for

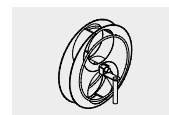
- Kindergarten children
- School children
- Public play areas without supervision, such as playgrounds, parks or similar
- Swimming pools without supervision, such as outdoor pools, adventure pools or similar

Barrier-free

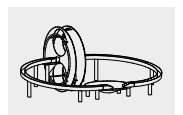
- Independent play

© Richter Spielgeräte GmbH 06/22

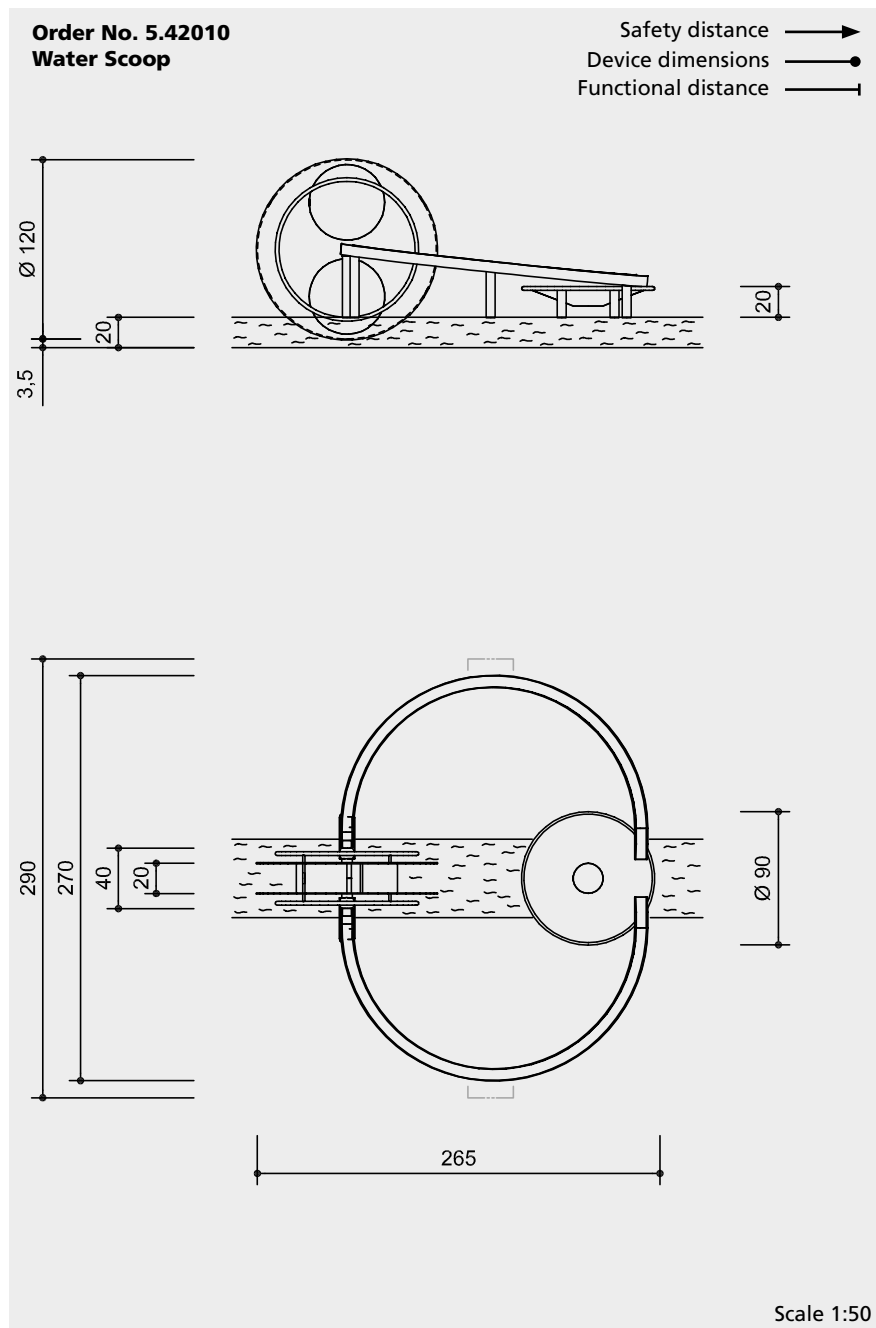
Design M. Rohrbach



5.20880



5.42010



Technical information

Equipment made of stainless steel, glass bead blasted

Easy drive in maintenance free plastic bearings

Grip-friendly rim

Dimensions

(small deviations possible)

Order No. 5.20880

Scooping Wheel

Diameter	1.20 m
Weight	70 kg

Order No. 5.42010

Water Scoop

Height	1.20 m
Length	2.65 m
Width	2.70 m
Weight	130 kg
Flow Dish	
Diameter	0.90 m
Height	0.20 m
Distance between Scooping Wheel and Channel bottom	0.035 m

Attention:

Exact measurements may vary; for all installation dimensions refer to current assembly instructions.

Technical changes reserved.

For use in aggressive environments such as salt or chlorine water, the equipment is also available in marine grade steel (V4A).

Safety check according to DIN EN 1176

Components

Order No. 5.20880

Scooping Wheel

- 1 Scooping Wheel with bearings and alternating water runoff
- 1 Rack

Order No. 5.42010

Water Scoop

- 1 Scooping Wheel with bearings and alternating water runoff
- 1 Rack
- 2 Water Channels
- 1 Flow Dish

Installation information

Surfacing requirements
no fall height according to standard

Recommendation:

- Pavement or a similar surface with a runoff for water
- Water depth: for a proper function a min. water depth of 20 cm is required.
- Water supply and water basin have to be provided for on site.

Foundations

Scooping Wheel

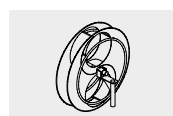
2 items 50 x 30 x 40 cm
Excavation depth 60 cm

Channels

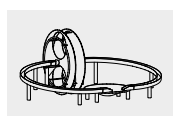
6 items 30 x 30 x 40 cm
Excavation depth 60 cm

Flow Dish

2 items 65 x 30 x 40 cm
Excavation depth 60 cm



5.20880



5.42010



Order No. 5.20910 Damming Wedge



Order No. 5.20900 Dam of Wood

**Dam of Wood
Water Flap
Damming Wedge**

Play value

Water play installations become even more attractive when they help to experience water in different ways. Children particularly enjoy damming water. On one hand, they are momentarily the „Master“ of the element water when stemming the flood water and on the other hand, they experience, through play, the water power when opening the lock of the dam.

Fundamental characteristics

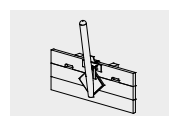
- Different ways of damming and collecting water
- Incentive for playing: technical appearance

Recommended for

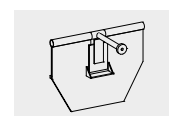
- Kindergarten children
- School children
- Water play areas without supervision



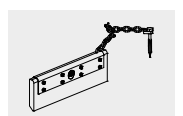
Order No.. 5.20905 Water Flap



5.20900



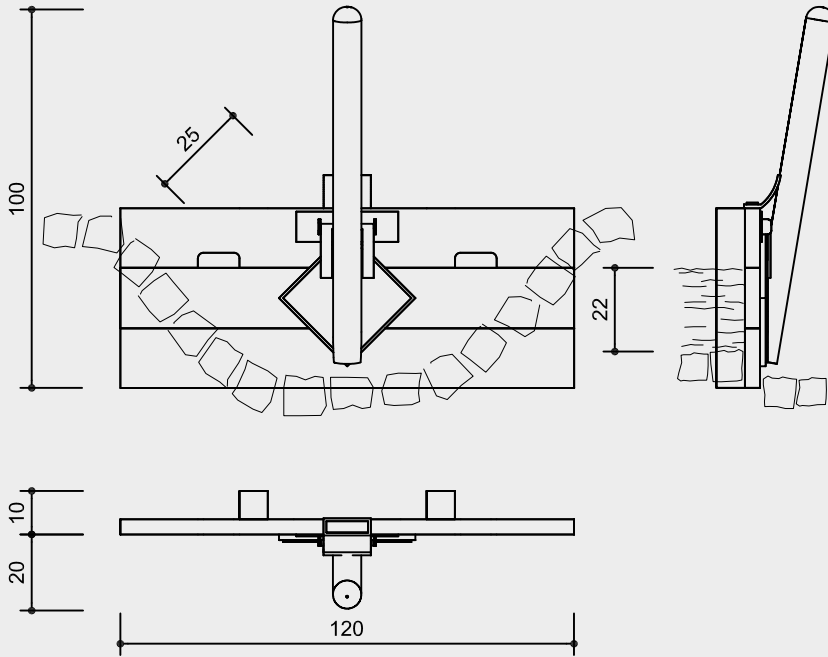
5.20905



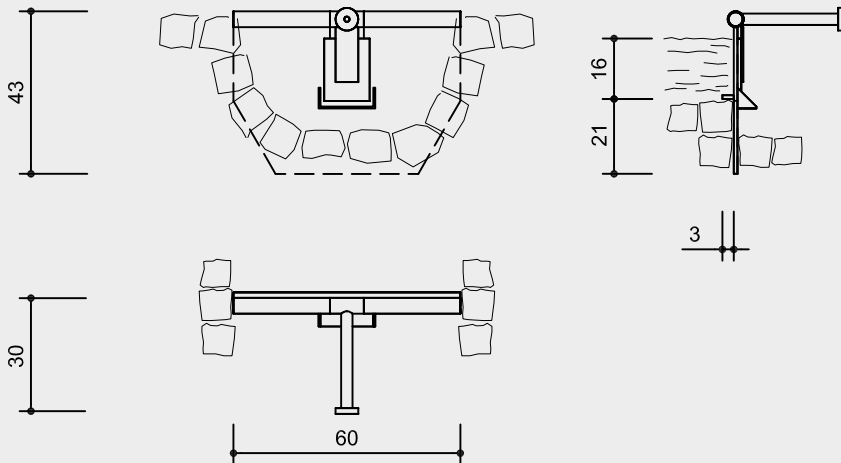
5.20910 / 5.20915

**Order No. 5.20900
Dam of Wood**

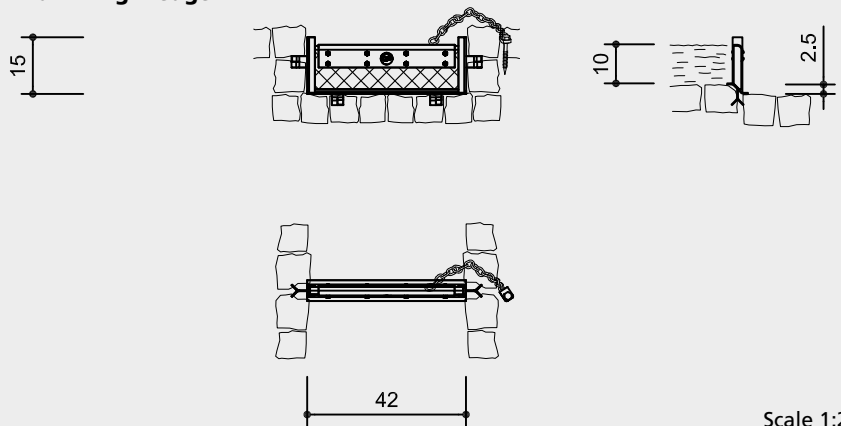
Safety distance →
Device dimensions ●
Functional distance —



**Order No. 5.20905
Water Flap**



**Order No. 5.20910
Damming Wedge**



Safety check according to DIN EN 1176

Technical information

Order No. 5.20900 Dam of Wood
Equipment made of larch

Tongue and groove
Tongue and groove planks made of 4 cm solid wood, highly resilient, no trickling of dust / sand, protection against direct rain



For more detailed explanation of the quality characteristics see price list.

Metal parts made of stainless steel, glass bead blasted
Seal made of 15 mm rubber plate, opening sealed with sealing tape

Order No. 5.20905 Water Flap
Equipment made of stainless steel, glass bead blasted
seal of 10 mm rubber plate

Order No. 5.20910 Damming Wedge
Damming wedge made of industrial rubber, holding device and guide frame made of stainless steel, glass bead blasted
chain made of stainless steel with swivel

Dimensions
(small deviations possible)

Order No. 5.20900 Dam of Wood
Height 1.00 m
Width 1.20 m
Damming height 0.22 m
Weight 27 kg

Order No. 5.20905 Water Flap
Height 0.43 m
Width 0.60 m
Damming height 0.16 m
Weight 20 kg

Order No. 5.20910 / 5.20915 Damming Wedge
Height of wedge 0.15 m
Width 0.42 m
Length of chain 0.30 m
Height of threshold 0.025 m
Damming height 0.10 / 0.20 m
Weight 3 kg

Components

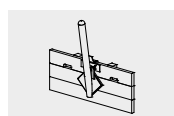
Order No. 5.20900 / 5.20905
1 Part each

Order No. 5.20910 / 5.20915
1 Damming Wedge
1 Guide Frame

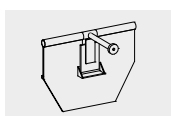
Installation information

Surfacing requirements
Recommendation:
surface of reinforced watercourse
Foundations depending on installation situation; the Dam of Wood is bricked in the channel and can be installed optionally in flow direction or against flow direction.

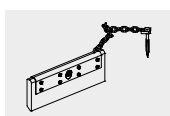
Attention:
Exact measurements may vary; for all installation dimensions refer to current assembly instructions.
Technical changes reserved.
For use in aggressive environments such as salt or chlorine water, the Order No. 5.20905 Water Flap and Order No. 5.20910 / 5.20915 Damming Wedge also available in marine grade steel (V4A).



5.20900



5.20905



5.20910 / 5.20915

Play value

Water play installations become even more attractive when they help to experience water in different ways. Children particularly enjoy damming water. On one hand, they are momentarily the „Master“ of the element water when stemming the flood water and on the other hand, they experience, through play, the water power when opening the lock of the dam. It is most fun when natural materials such as mud, leaves and small sticks are used to dam the water. However, this is often not possible or desired. Therefore, complementary elements such as locks or flaps are required.

Fundamental characteristics

- High-quality design
- Sturdy construction; can also be used in wide gutters
- Incentive for playing: technical appearance

Recommended for

- Kindergarten children
- School children
- Water play areas without supervision



Order No. 5.20930 Lock Gate



Order No. 5.20930 Lock Gate



Order No. 5.20950 Ball Valve, Photo © Paul Upward

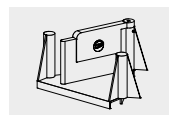


Order No. 5.20950 Ball Valve, Photo © Paul Upward

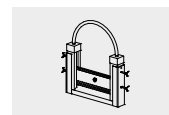


Order No. 5.20907 Water Switch

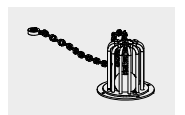
**Water Switch
Lock Gate
Ball Valve**



5.20907

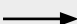

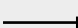


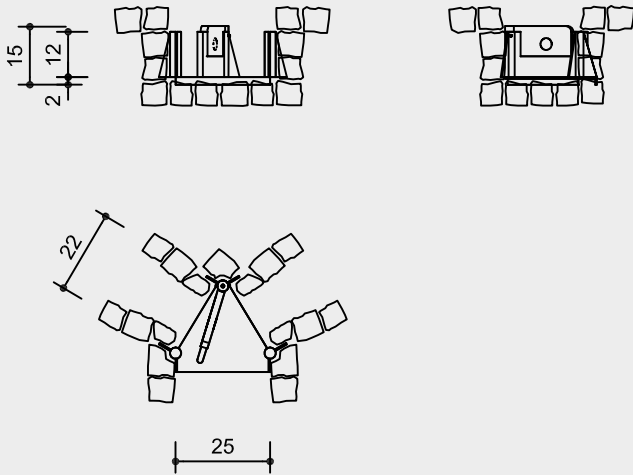
5.20930 / 5.20933



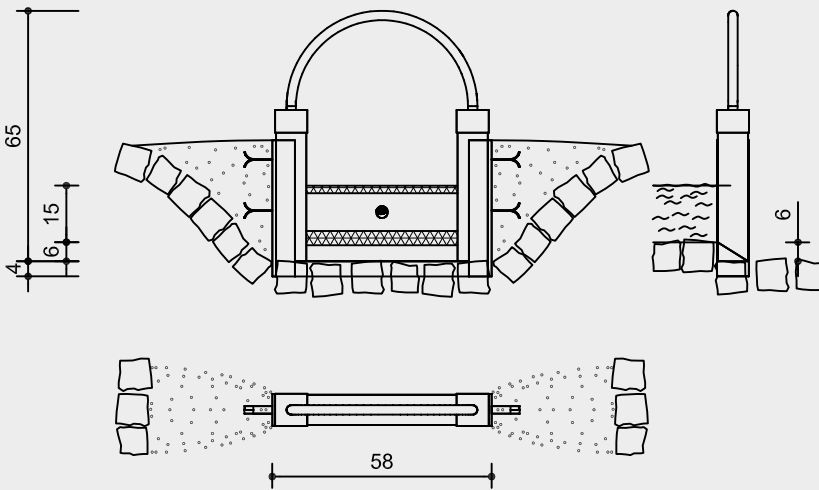
5.20950

Order No. 5.20907
Water Switch

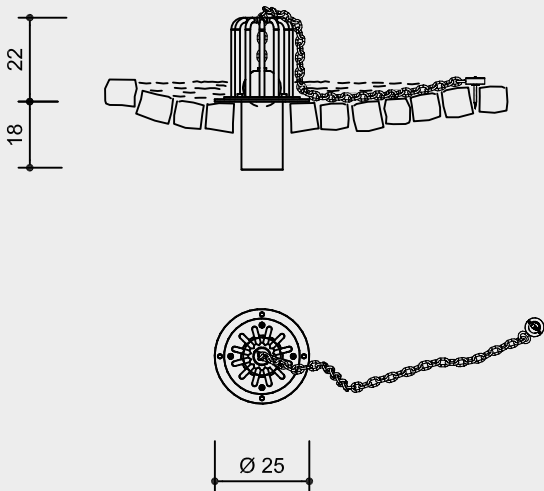
Safety distance 
Device dimensions 
Functional distance 



Order No. 5.20930
Lock Gate with installation frame
Damming height 15 cm

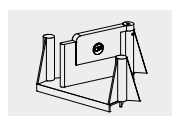


Order No. 5.20950
Ball Valve

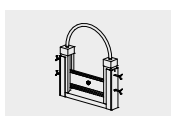


Scale 1:20

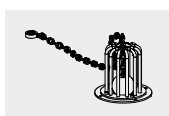
Safety check according to DIN EN 1176



5.20907



5.20930 / 5.20933



5.20950

Technical information

Equipment made of stainless steel,
glass bead blasted

Order No. 5.20907
Water Switch

Sealing plate of solid rubber

Order No. 5.20930

Lock Gate with installation frame
for installation in a concrete or brick
channel

Seal of 20 mm rubber plate

Order No. 5.20950

Ball Valve

Ball made of polyamide, freely moveable
in a basket which is screwed on a round
plate with a pipe connection with
diameter 100 mm, for connection to an
existing pipe; plate and chain for fixation
with masonry plugs

Dimensions

(small deviations possible)

Order No. 5.20907 Water Switch

Height 0.15 m
Side length 0.22 / 0.25 m
Damming height 0.12 m
Weight 6 kg

Order No. 5.20930 / 5.20933 Lock Gate

Height 0.65 m
Width 0.58 m
Damming height 0.15 / 0.18 m
Weight 20 kg

Order No. 5.20950 Ball Valve

Equipment height 0.24 m
Ground plate diameter 0.25 m
Ball diameter 0.10 m
Weight 12 kg

Components

1 Part each

Installation information

Recommendation:
surface of reinforced watercourse
Foundations according to installation
information

Order No. 5.20930 / 5.20933 Lock Gate

The sealing is appropriate for playground
use, it is possible that a small quantity
of water passes the sealing. For a proper
function a height difference of 6 cm is
required as the threshold is bevelled in
order to avoid that materials deposit in
the sealing zone.

Order No. 5.20950 Ball Valve

The outlet of the Ball Valve should have a
cleaning possibility (sand collector).
The basin should have an overflow.

Attention:

Exact measurements may vary;
for all installation dimensions refer
to current assembly instructions.
Technical changes reserved.

For use in aggressive environments
such as salt or chlorine water, the
equipment is also available in
marine grade steel (V4A).

Play value

The arrangement of these large basins has a strong aesthetic value. They serve as „mud table“ and water basin at the same time. Furthermore, their durability is extremely good. Thanks to the run-outs on one or two sides of the dish, it is possible to combine the dishes to become a water path with a variety of flow possibilities. It is possible to dam up a large quantity of water within the deep, round storage basin. When opening the seals, the force of the concentrated flow of water can be used for driving a water wheel.



Photo © Daniel Perales



Order No. 5.24000 Round Water Basin with 1 opening



Order No. 5.22100 Round Reservoir with 1 opening and pump connection, Photo © Daniel Perales



Order No. 5.22000 Round Reservoir with 2 openings, Photo © Daniel Perales

Fundamental characteristics

- High-quality design
- Incentive for playing: water, round shape, locking elements
- Movement: fine motor activity, accompanying the water flow

Recommended for

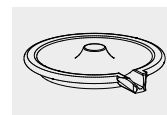
- Kindergarten children
- School children
- Water play areas without supervision

Water play elements made of concrete

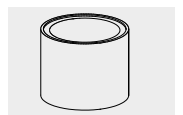
- Round Reservoir**
- Round Water Basin**
- Pedestal Pipe**



5.22000 / 5.22100



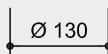
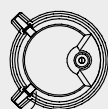
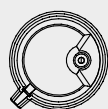
5.24000 - 5.24400



5.24520 - 5.24580

Order No 5.22000 / 5.22100

Round Reservoir
with 1 or 2 openings

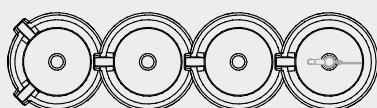
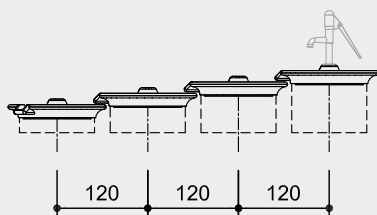


Safety distance
Device dimensions
Functional distance

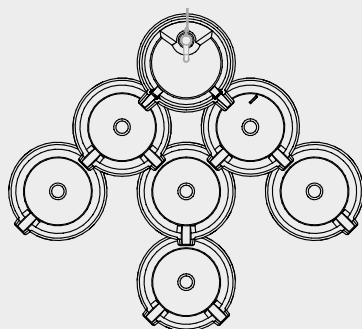


Order No. 5.24000 - 5.24400

Round Water Basin



Planning example
with different concrete basins



Scale 1:100

Safety check according to DIN EN 1176

Components

Order No. 5.22000

1 Round Reservoir with pump connection and 2 openings

Order No. 5.22100

1 Round Reservoir with pump connection and 1 opening

Order No. 5.24000

1 Round Water Basin with 1 opening

Order No. 5.24200

1 Round Water Basin with 1 opening and pump connection

Order No. 5.24300

1 Round Water Basin with 2 openings

Order No. 5.24400

1 Round Water Basin with 2 openings and pump connection

Order No. 5.24520 - 5.24580

1 Pedestal Pipe, Height 20 - 80 cm

Installation information

Surfacing requirements
No fall height according to standard; staircase-like constructions may make an examination of the fall height necessary

Recommendation:
Sand with drainage or paving stone with gully; for playing with „mud“, sand is required.

Required space and foundations according to overall installation.

For getting the required height difference, 1 pedestal pipe per basin is needed
Order No. 5.24520 - 5.24580 on concrete foundation

Technical information

Each dish is made as 1 part of reinforced concrete C 40/50.
Surface sandblasted.

locking elements of the reservoirs of vulcanised rubber on hot-dip galvanised chain and grip made of stainless steel

Order No. 5.22000 / 5.22100

Chains

Chains made of hot-dip galvanized steel (1.4301 / 1.4571 at extra charge) welded before galvanising, short-linked, without eyelets on the connecting parts, easy to exchange and shorten



For more detailed explanation of the quality characteristics see price list.

Dimensions

(small deviations possible)

Order No. 5.22000 / 5.22100

Round Reservoir

Outside diameter	1.30 m
Equipment height	0.40 m
Weight	550 / 540 kg

Order No. 5.24000 / 5.24200

/ 5.24300 / 5.24400

Round Water Basin

Outside diameter	1.30 m
Equipment height	0.15 m
Weight	270 - 290 kg

Order No. 5.24520 Pedestal Pipe

Outside diameter	1.00 m
Height	0.20 m
Weight	147 kg

Order No. 5.24540 Pedestal Pipe

Outside diameter	1.00 m
Height	0.40 m
Weight	295 kg

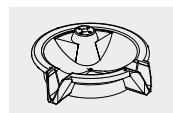
Order No. 5.24560 Pedestal Pipe

Outside diameter	1.00 m
Height	0.60 m
Weight	443 kg

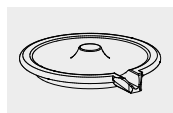
Order No. 5.24580 Pedestal Pipe

Outside diameter	1.00 m
Height	0.80 m
Weight	590 kg

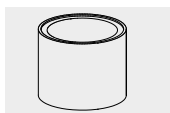
Attention:
Exact measurements may vary;
for all installation dimensions refer to current assembly instructions.
Technical changes reserved.



5.22000 / 5.22100



5.24000 - 5.24400



5.24520 - 5.24580

Play value

This simple looking equipment is of high play value, and also a lot of fun. The unusual way of making water splash is a delightful surprise, particularly when one doesn't get wet oneself. Depending on the weight and skill of the participant, fountain jets reaching a distance of up to 7 m and a height of up to 4 m can be achieved by means of jumping up and down on the discs. It is great fun when several Splash Hoppers are installed near to each other so that a real spray competition can take place.

Fundamental characteristics

- Mechanical pump mechanism makes the correlation between one's own power and the width of the Splash Hopper visible
- Functional design
- Incentive for playing: curiosity
- Movement: jumping

Recommended for

- School children
- Young people
- Swimming pools without supervision, such as outdoor pools, adventure pools or similar
- Water play areas without supervision



Photo © Daniel Perales



Order No. 5.25000 Splash Hopper, Photo © Sahulophone Records

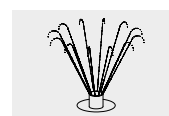


Order No. 5.25070 Splash Hopper for external Sprayhead, Photo © Daniel Perales

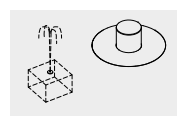
**Splash Hopper
Splash Hopper for external Sprayhead**

Planning Information

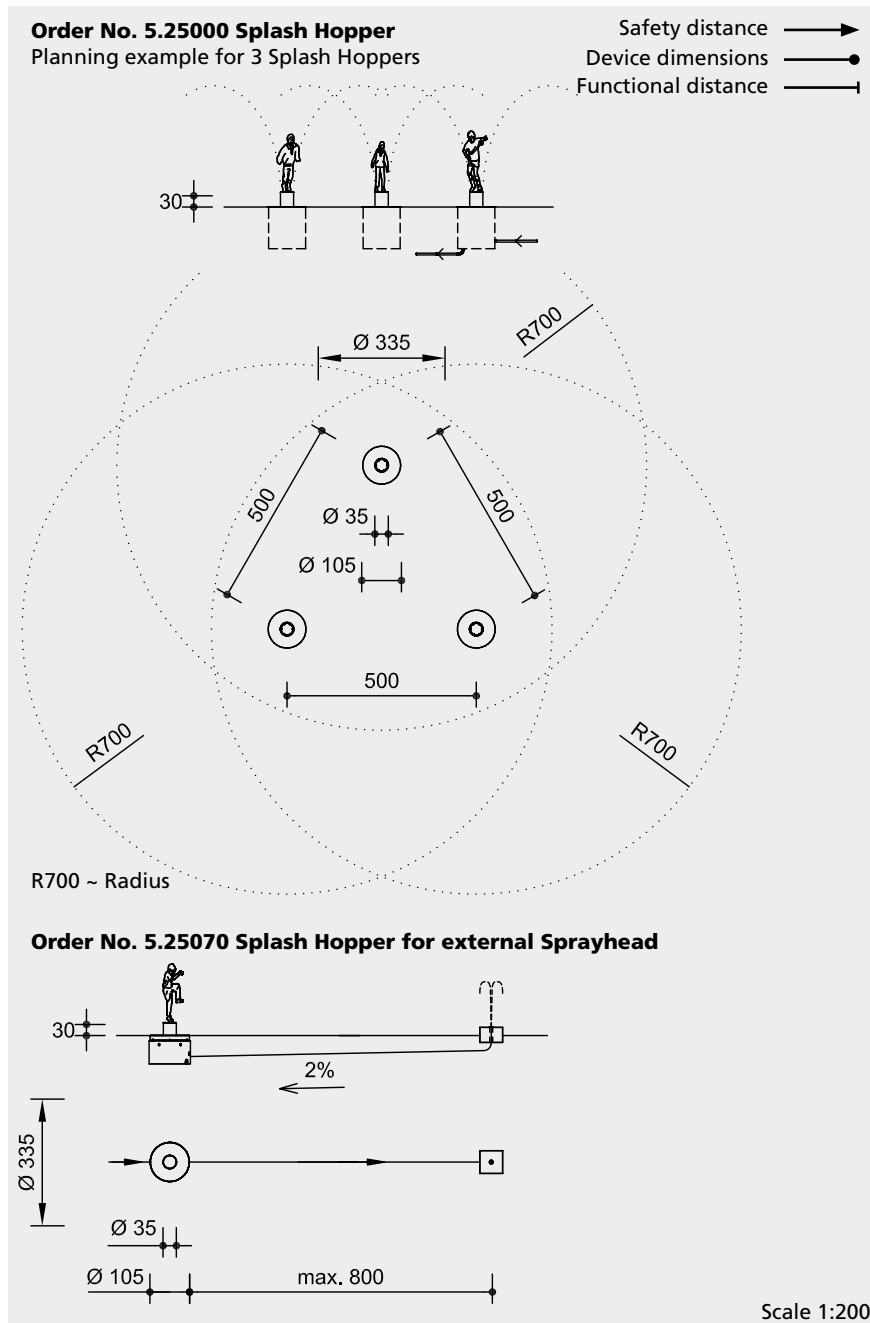
Individual solutions for the water supply must be devised, depending on the plans. Up-to-date details on the connection for the water supply and other technical information is available to download as a table at our website www.richter-spielgeraete.de.



5.25000



5.25070



Safety check according to DIN EN 1176

Components

- 1 Splash Hopper pre-assembled in concrete housing
- 1 Lid
- 1 Winter lid made of stainless steel

Accessories for **Order No. 5.25070** e.g.:
 Spraying heads, see **Order No. 5.18810 / 5.18815 / 5.18830 / 5.18835 / 5.18870**

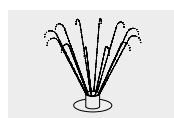
Installation information

Surfacing requirements corresponding to a fall height of ≤ 0.60 m (please refer to price list for more detailed information)

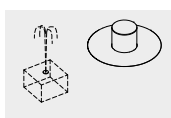
Recommendation: pavement, reinforced surface (provide adequate drainage on site) no sand, no gravel

Foundations
 Excavation for concrete well
 Ø 2.00 m, depth 1.10 m

Using the equipment without water leads to increased wear of the components. Therefore the equipment should not be used without water. During frosty periods the suction pump must be disassembled and the water reservoir and supply must be emptied. Also included in the components is a lid with which the opening of the cylinder is sealed during the frosty season.



5.25000



5.25070

Technical information

Order No. 5.25000 Splash Hopper

Cylinder of stainless steel, glass bead blasted
 standing plate of embossed sheets, with 6 Splash Hoppers in a circle, diameter 4 mm
 rotatable plate, the jumping movement is buffered
 the concrete housing contains:
 suction pump with footplate, water reservoir with valves, siphon for drainage connection, diameter 110 mm
 connection to the pressure line, connection thread 1 inch inside, water supply 3/4 inch, pressure max. 6 bar, water requirement approx 15l/min
 lid made of concrete with rubber seal, winter lid made of stainless steel

Order No. 5.25070 Splash Hopper for external Sprayhead
 As above, but standing plate without jets

Dimensions

(small deviations possible)

Standing plate

Diameter 0.35 m
 Height 0.30 m

Concrete housing

Diameter 1.10 (Lid 1.05 m)
 Height 1.10 / 0.75 m = installation depth
 Total weight 1100 / 900 kg

Attention:

Exact measurements may vary; for all installation dimensions refer to current assembly instructions.

Technical changes reserved.

For use in aggressive environments such as salt or chlorine water, the equipment is also available in marine grade steel (V4A).

Play value

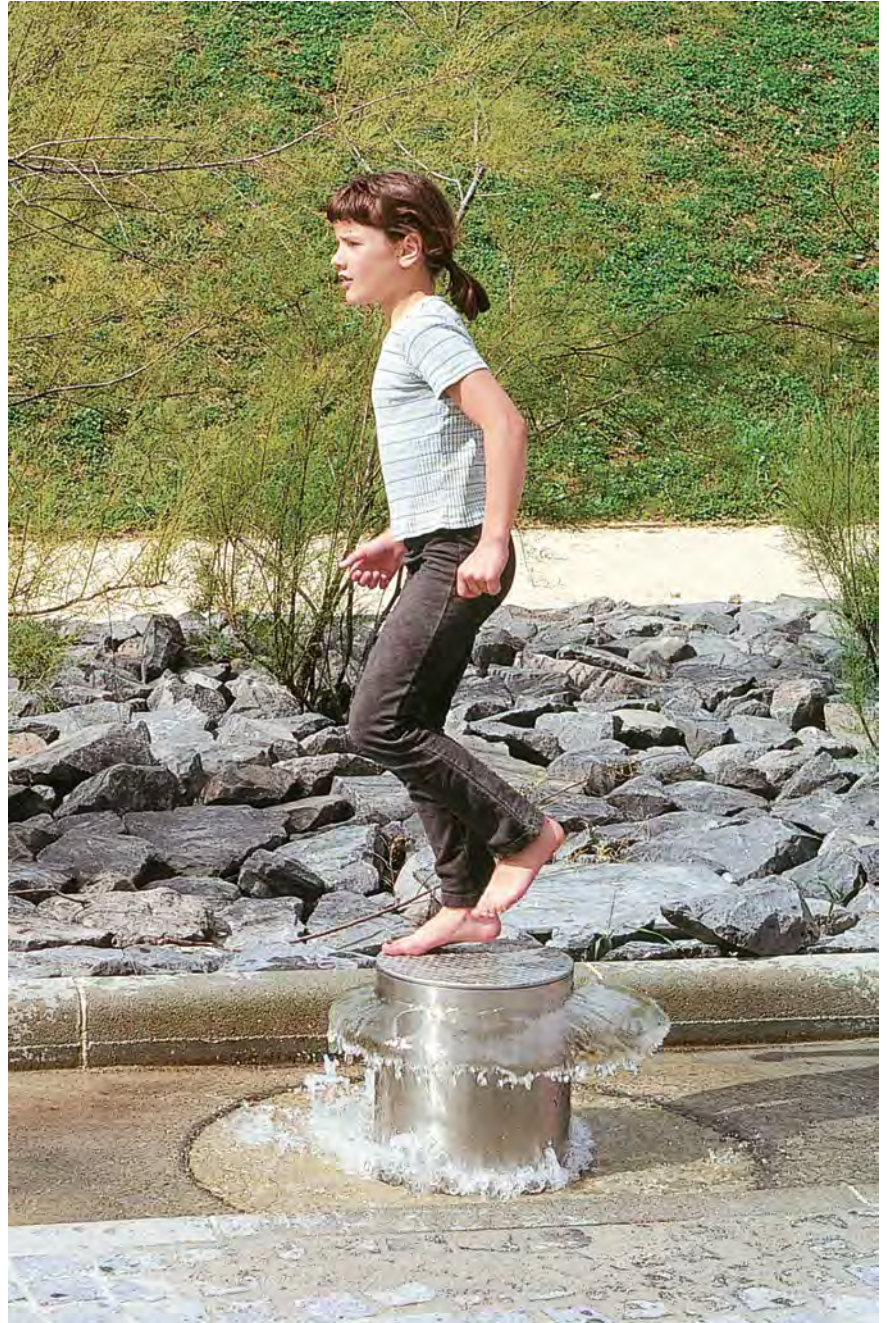
By standing, jumping up and down or shifting one's weight, water is coming out from the metal cylinder. When a certain balance is achieved, the water gets the shape of a „mushroom“. The opportunity of creating a nicely shaped, regular water cap by one's own movement is motivating and gives satisfaction. The Mushroom Hopper can also be used as water supply - as a kind of foot pump - for small currents of water which can be created for a short time by play.

Fundamental characteristics

- Combination of water supply and shaping of water
- Unique and original
- Incentive for playing: gleaming metal surface, curiosity
- Movement: jumping, shifting one's weight

Recommended for

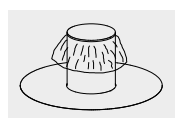
- School children
- Water play areas with and without supervision



Mushroom Hopper

Planning information

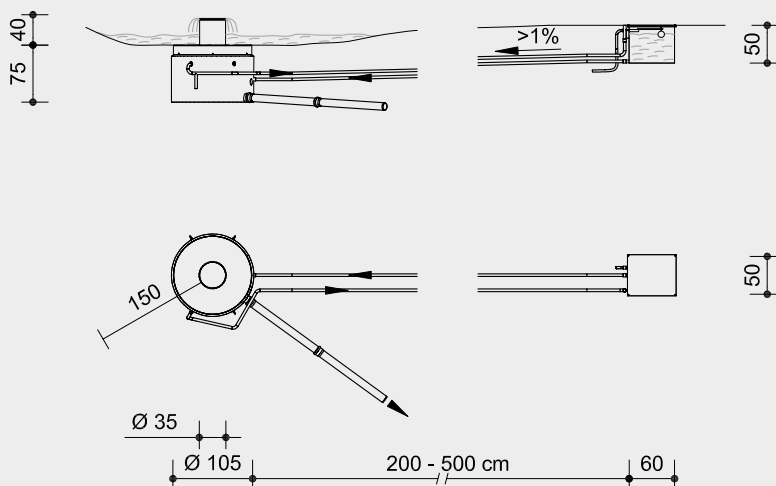
Individual solutions for the water supply must be devised, depending on the plans. Up-to-date details on the connection for the water supply and other technical information is available to download as a table at our website www.richter-spielgeraete.de.



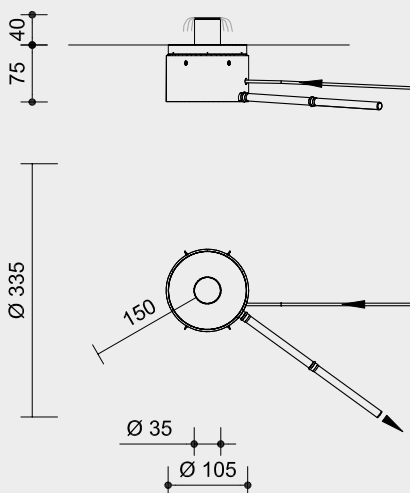
5.25500 / 5.25600

Order No. 5.25500
Mushroom Hopper in a water tray
 for installation in a water basin

Safety distance 
 Device dimensions 
 Functional distance 



Order No. 5.25600
Mushroom Hopper
 for installation in dry areas



Scale 1:100

Safety check according to DIN EN 1176

Components

Order No. 5.25500

- 1 Mushroom Pump pre-assembled in concrete housing with lid
- 1 Winter lid made of stainless steel
- 1 Water reservoir

Order No. 5.25600

- 1 Mushroom Pump pre-assembled in concrete housing with lid
- 1 Winter lid made of stainless steel

Installation information

Surfacing requirements corresponding to a fall height of ≤ 0.60 m (please refer to price list for more detailed information)
 Recommendation: reinforced surface or water tight surface, no sand, no gravel

Foundations
 Excavation depth for concrete well $\varnothing 1.50$ m, depth 0.60 / 0.75 m

During sub zero conditions the part with the pump cylinder must be dismantled and removed. Also included in the components is a lid with which the shaft is sealed during the frosty season.

Technical information

Cylinder made of stainless steel, glass bead blasted

Standing plate made of embossed sheet with circular opening

Lid made of concrete with rubber seal, winter lid made of stainless steel

Water reservoir made of stainless steel, glass bead blasted

Connection to the pressure line max. 6 bar, connection thread 1 inch inside (we recommend a compression proof diameter 3/4 inch), water requirement approx. 40 l/min

Order No. 5.25500
Mushroom Hopper in a water tray

The concrete housing contains: suction pump with footplate, drainage connection and a connection for the air escape tube.

Water supply through a 1 1/2 inch PE-tube from a slightly raised water reservoir with floating valve the water reservoir is outside the water basin. Parallel to the water supply there must be installed an exhaust pipe for pressure compensation.

Order No. 5.25600
Mushroom Hopper

The storage container is integrated in the shaft. The other parts are identical in construction.

Dimensions

(small deviations possible)

Order No. 5.25500
Mushroom Hopper

Standing plate	
Diameter	0.35 m
Height	0.40 m
Concrete housing	
Diameter	1.10 m
Height	0.75 m = installation depth
Water reservoir with floating valve	
Length	0.60 m
Width	0.50 m
Depth	0.50 m
Total weight	800 kg

Order No. 5.25600
Mushroom Hopper

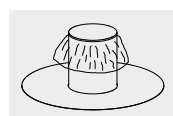
Standing plate	
Diameter	0.35 m
Height	0.40 m
Concrete housing	
Diameter	1.10 m
Height	0.75 m = installation depth
Total weight	800 kg

Attention:

Exact measurements may vary; for all installation dimensions refer to current assembly instructions.

Technical changes reserved.

For use in aggressive environments such as salt or chlorine water, the equipment is also available in marine grade steel (V4A).



5.25500 / 5.25600



Photo © Daniel Perales



Photo © Daniel Perales

Play value

Those playing on the Forest Fountain system can experience a wide range of spatial and sensory effects of the medium water as a result of their own physical activities. The height of the masts and length of the pipelines enables the water to achieve the greatest possible spraying effect, while the jets and rotors create different, continuously changing shapes and structures. The contrast, created by the strictly geometrical masts and pumps, contributes to the aesthetics of the overall design.

Recommended for

- School children
- Public play areas without supervision, such as kindergartens, schools, after-school programmes or similar
- Swimming pools without supervision, such as outdoor pools, adventure pools or similar

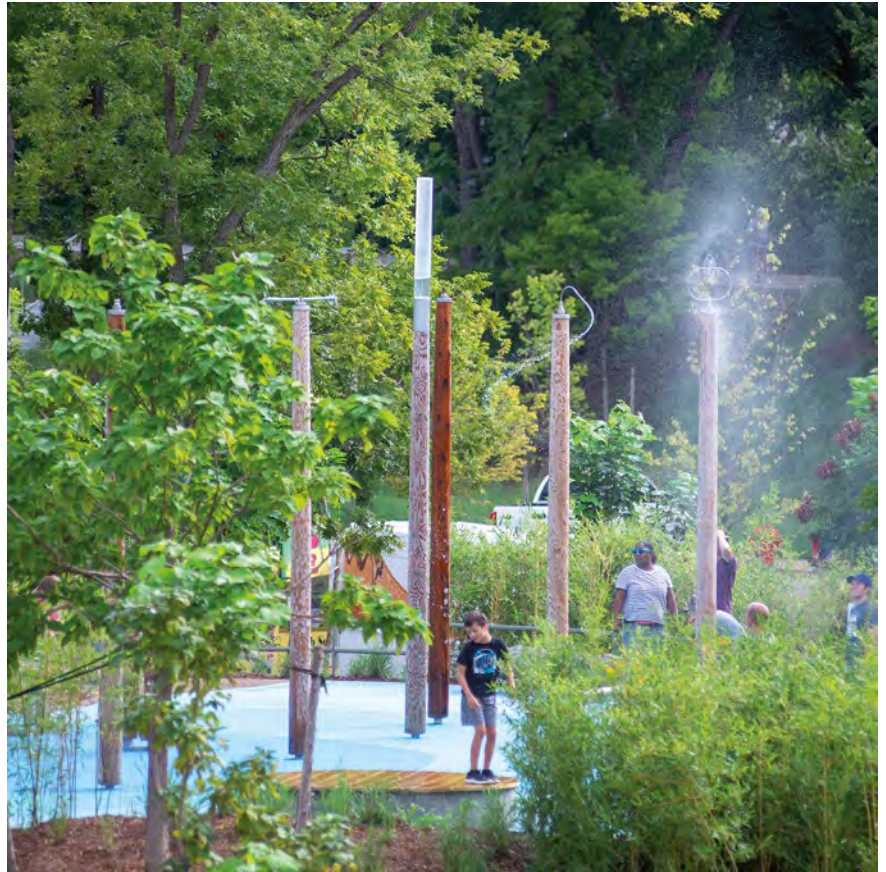
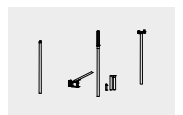
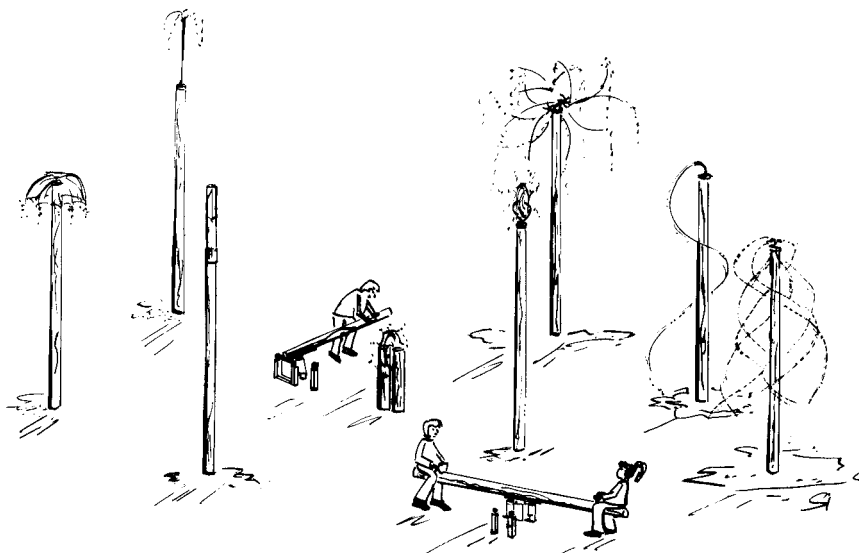


Photo © Daniel Perales

Forest Fountain



5.27001 - 5.27537





Order No. 5.27035 Horizontal Star Rotor, Photo © Paul Upward

Rotors and jets

Order No. 5.27030 / 5.27530
Low Collision Disc
 Spraying area 2 m, width 0.50 m

Order No. 5.27031 / 5.27531
High Collision Disc
 Spraying area 4 m, width 1 m

Order No. 5.27032 / 5.27532
Vertical Jet
 Spraying height up to 10 m, radius 2 m

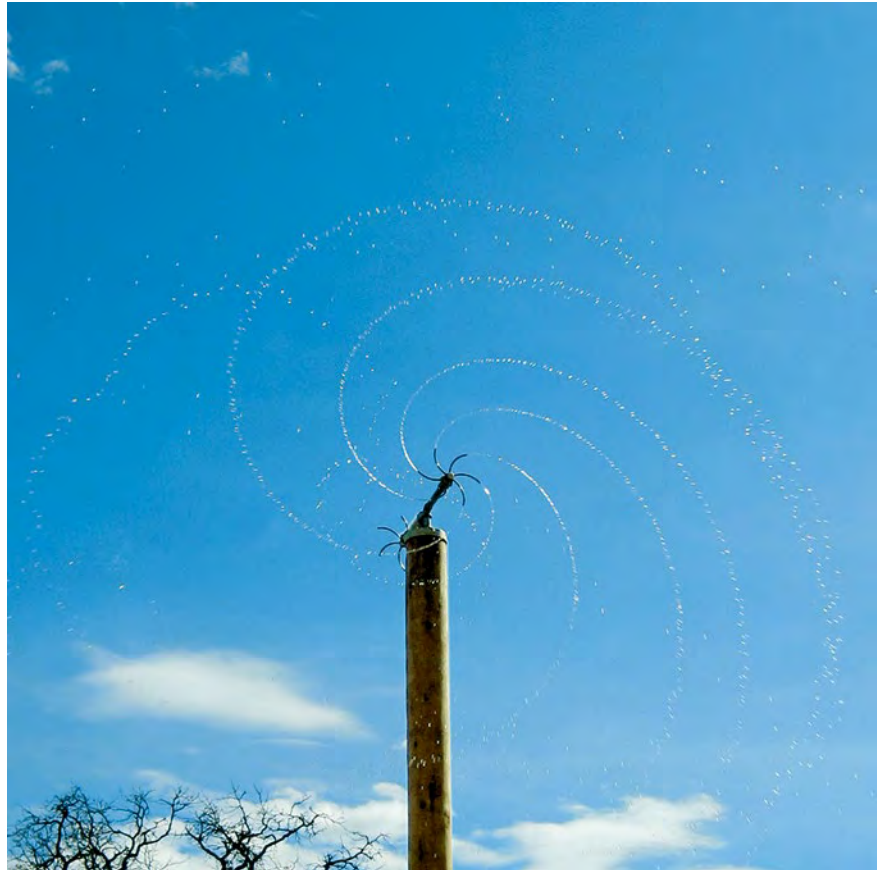
Order No. 5.27033 / 5.27533
Spiral Rotor
 Spraying area radius 2.5 m

Order No. 5.27034 / 5.27534
Vertical Star Rotor
 Spraying area 14 m, width 1.50 m

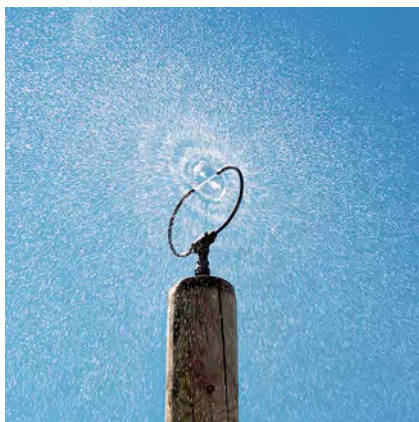
Order No. 5.27035 / 5.27535
Horizontal Star Rotor
 Spraying length Ø 10 m, radius 5 m
 (reducible)

Order No. 5.27036 / 5.27536
Umbrella Jet
 Spraying area radius 3 m

Order No. 5.27037 / 5.27537
Reservoir
 Water Umbrella
 Spraying area radius 2 m



Order No.. 5.27034 Vertical Star Rotor



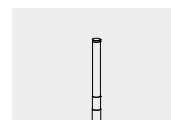
Order No. 5.27031 High Collision Disc



5.27035 / 5.27535



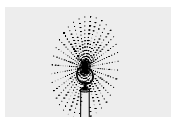
5.27036 / 5.27536



5.27037 / 5.27537



5.27030 / 5.27530



5.27031 / 5.27531



5.27032 / 5.27532



5.27033 / 5.27533



5.27034 / 5.27534

Technical information / Components

Pumps

Order No. 5.27010 / 5.27015 / 5.27016

Long Handle Pump with valve

One Pump cylinder with stainless steel mechanism on concrete well, Ø 110 cm, depth of installation approx. 60 cm, pump swive of ash wood Ø 9 cm, length 2.30 m, weight approx. 900 kg, depending on type of distribution station (single or double), 3-way valve with pan bar handle and direction arrow, made of stainless steel / plastic, height 40 cm. Connection to main water 2.5 - 6 bar, connection thread 1 inch inside, compression proof diameter 1 inch, water requirement approx. 15 l/min

Order No. 5.27110 / 5.27115 / 5.27116

Long Handle Pump with water reservoir

As above, but in addition connection to main water max. 6 bar

Order No. 5.27020 / 5.27025 / 5.27026

Pump See-saw with valve system

Two Pump cylinders and stainless steel mechanism on concrete well, Ø 110 cm, depth of installation approx. 65 cm, see-saw beam of larch, length 4 m, optimized concealed bolt head, hand grips of stainless steel (glass bead blasted), fall height ≤ 1 m, weight approx. 950 kg, depending on type of distribution station (single or double), 3-way valve with pan bar handle and direction arrow, made of stainless steel/plastic, height 40 cm, connection to water as above water requirement approx. 20 l/min

Order No. 5.27120 / 5.27125 / 5.27126

Pump See-saw with water reservoir

As above, but in addition connection to main water max. 6 bar

Masts

Order No. 5.27030 - 5.27037

Larch wood with steel foot, height approx. 4 m, 18/21 cm

Order No. 5.27530 - 5.27537

Cap of stainless steel or complete masts made of stainless steel tubes Ø 133 mm

Foundation 80 x 80 x 80 cm, Excavation depth 110 cm, edges to be rounded if sand and gravel is used

Supply line between pump and mast, fabric hose 10 m and hose connector, included supply line to be laid in empty conduit such as drainpipe or flex pipe Ø 80 mm, not included in delivery supply line with 2 % gradient to pump concrete well for draining during period of frost

Order No.

5.27001 - 5.27537 / 5.27002 / 5.27003

Registered Design

000777982-0001/ -0010 Europe

Trademark

007371834 Europe

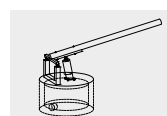


Photo © Iliya Varlamov

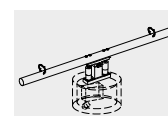


Masts made of wood, Photo © Iliya Varlamov

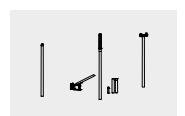
Forest Fountain



5.27010



5.27020



5.27001 - 5.27537

Planning information

The masts and pumps should be arranged so that it is possible to observe the fountain effect when pumping. Accordingly, the masts with the smaller spraying radiuses should be positioned closer, and those with a larger spraying radius further away, at the edge of the space. The distance to the masts and between them should be 3 - 6 m. The effect of the sunlight and the contrast with darker backgrounds such as trees or the flat faces of buildings plays an important role here for the optical effect.



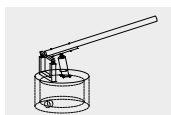
Masts made of stainless steel, powder-coated

In the case of higher spraying heads, the prevailing wind direction should be taken into consideration. The surfacing of the ground should be firm or graveled and be provided with a well working drainage. The water supply and the system must be drained during frost periods. Sensitive parts such as pump valves must be removed and stored in a frost-free location.

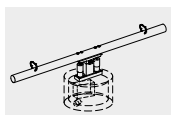
Individual solutions for the water supply must be devised, depending on the plans. Up-to-date details on the connection for the water supply and other technical information is available to download as a table at our website www.richter-spielgeraete.de.

The Forest Fountain is a very complex play structure, we recommend the consultation and planning by our team.

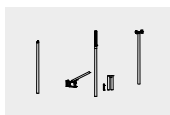
The pumps are also available with programmable rinsing for flushing the pumps and masts.



5.27010



5.27020



5.27001 - 5.27537

Play value

Even small children can operate our lever pump and convey water. The pump resistance as well as the flow rate per stroke can be varied. The design and easy operation make it very suitable for children. Hydraulic oil is pumped in an enclosed circuit. The degree of pumping difficulty can be adjusted to a child's strength. The flowing hydraulic oil opens the water valve for a short period of time and then automatically – can also be adjusted – closes again. The water is of drinking quality up until the water leaves the valve; there is no residual water left in the pump.

Recommended for

- Kindergarten children
- Supervised play areas, such as kindergartens, schools, after-school programmes or similar
- Public play areas without supervision, such as playgrounds, parks or similar
- Water play areas without supervision

Barrier-free

- Independent play



Photo © Paul Upward



Planning information

The length of the run-out tube can be changed against surcharge.

Individual solutions for the water supply must be devised, depending on the plans. Up-to-date details on the connection for the water supply and other technical information is available to download as a table at our website www.richter-spielgeraete.de.

**Lever Pump
Foundation Anchor**

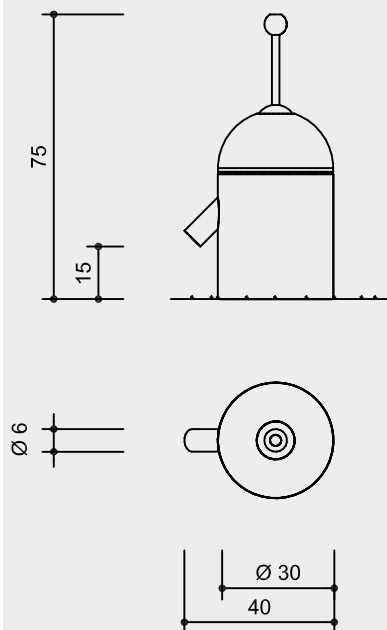


5.28000 / 5.28002

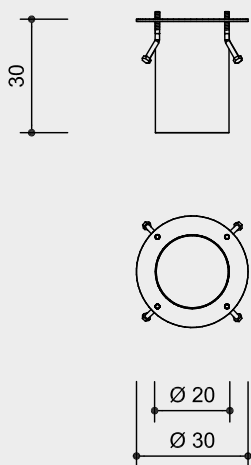


5.28003

**Order No. 5.28000 / 5.28002
Lever Pump**



**Order No. 5.28003
Foundation Anchor**



Scale 1:20

Safety check according to DIN EN 1176

Components

**Order No. 5.28000 / 5.28002
Lever Pump**

- 1 Lever Pump with winter lid

Patent

10 2012 000 359 Germany

Registered Design

40 2020 202 219.9 Germany

**Order No. 5.28003
Foundation Anchor**

- 1 Foundation Anchor

Installation information

Surfacing requirements
Recommendation: paving stone or similar with gully. The lever pump is designed for installation on natural stone, pedestal or similar.

During the period of frost, the pump mechanism must be removed. To remove the mechanism, the control line can be disconnected using a quick-release coupling.

Foundation Anchor,
see **Order No. 5.28003**
(not included in the components of the pump).

Foundations
1 item 50 x 50 x 40 cm
Excavation depth 40 cm

Attention:
Exact measurements may vary, for all installation dimensions refer to current installation instructions.
Technical changes reserved.
For use in aggressive environments such as salt or chlorine water, the equipment is also available in marine grade steel (V4A).

Technical information

Equipment made of stainless steel, glass bead blasted

Ground anchor

All parts used for anchoring to the ground are made of hot-dip galvanised steel or stainless steel



Roller bearings

Roller bearings made of stainless steel for rotating elements, easy to maintain and exchange, sealed



For more detailed explanation of the quality characteristics see price list.

The ball head is made of impact-resistant, coloured-through, PUR plastic, black

Enclosed pump with water valve for direct connection to mains water (2.5 - 6 bar), connection thread 1 inch inside (we recommend a compression proof diameter 3/4 inch), water requirement approx. 80l/min

Pump capacity and pump swipe resistance infinitely adjustable, up to 80 l per minute

Pump swipe position rules out risk of jamming

Order No. 5.28002

General pump specification as **Order No. 5.28000**, but in addition with programmable rinsing device for direct connection to pressure line.

**Order No. 5.28003
Foundation Anchor**

Made of galvanised steel (not included in the components of the pump)

Dimensions

(small deviations possible)

**Order No. 5.28000 / 5.28002
Lever Pump**

Height	0.75 m
Width	0.40 m
Diameter	0.30 m
Run-out tube diameter	0.06 m
Weight	45 kg

**Order No. 5.28003
Foundation Anchor**

Height	0.30 m
Diameter	0.30 m
Weight	8 kg



5.28000 / 5.28002



5.28003



Order No. 5.28031 Bar Gate



Order No. 5.28031 Bar Gate, Photo © Daniel Perales

Play value

Children particularly enjoy damming water. Opening the bar gate gives them the opportunity to learn about the power of water in a playful way, so they learn how to handle the living force of the element water. They are able to experience how a dam works and can observe how the water builds up.

Fundamental characteristics

- Easy handling
- Sturdy construction

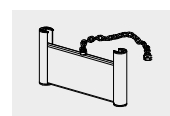
Recommended for

- Kindergarten children
- Supervised play areas, such as kindergartens, schools, after-school programmes or similar
- Public play areas without supervision, such as playgrounds, parks or similar
- Water play areas without supervision

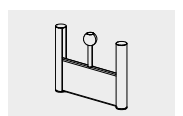


Order No. 5.28030 Board Gate

**Board Gate
Bar Gate**



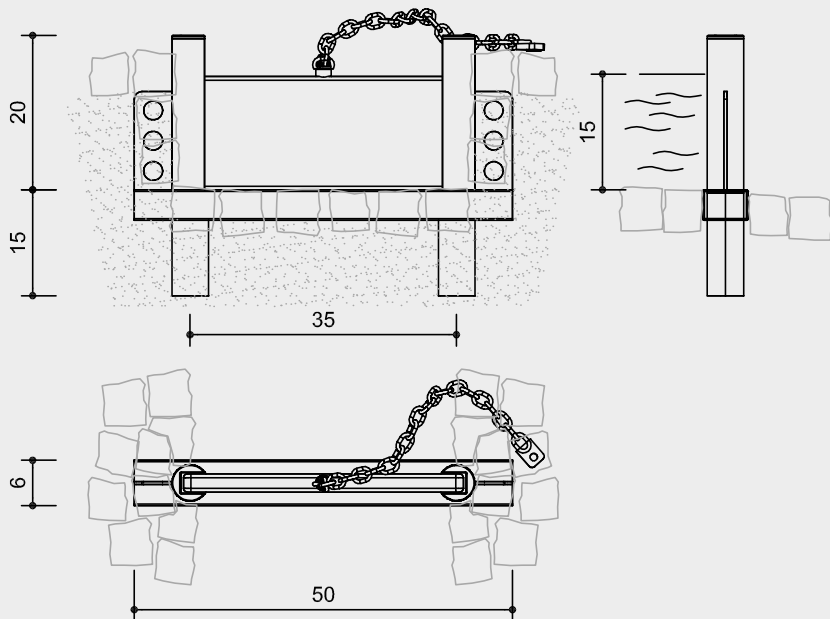
5.28030



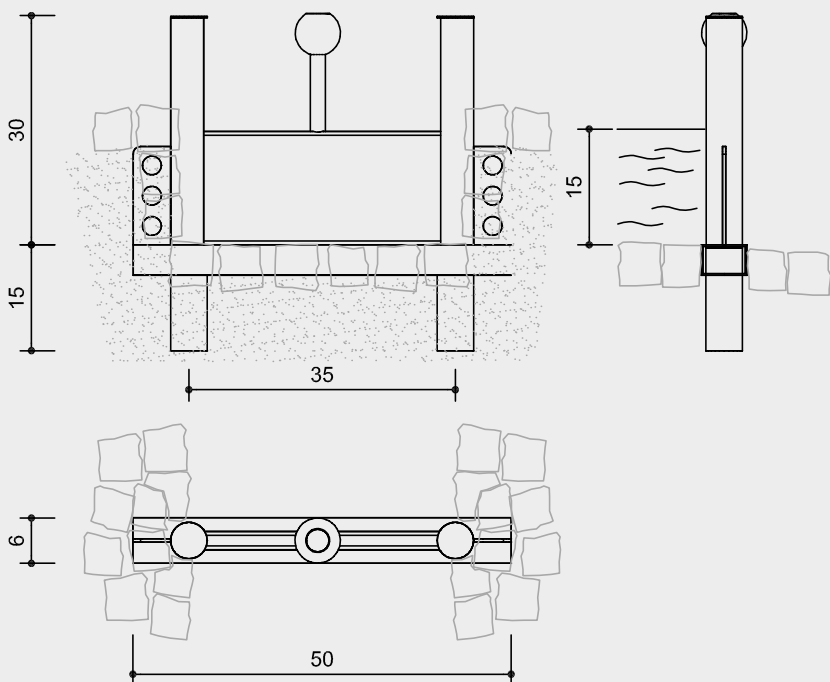
5.28031

**Order No. 5.28030
Board Gate**

Safety distance →
Device dimensions —●—
Functional distance —|—



**Order No. 5.28031
Bar Gate**



Technical information

All metal parts are made of stainless steel, glass-bead blasted

**Order No. 5.28030
Board Gate**

Board made of impact-resistant, coloured-through, PUR plastic parts, black

**Order No. 5.28031
Bar Gate**

Board and ball head made of impact-resistant, coloured-through PUR plastic parts, black

Dimensions

(small deviations possible)

**Order No. 5.28030
Board Gate**

Height	0.20 m
Width	0.50 m
Damming height	0.15 m
Weight	7 kg

**Order No. 5.28031
Bar Gate**

Height	0.30 m
Width	0.50 m
Damming height	0.15 m
Weight	8 kg

Components

1 Part each
Registered Design
40 2020 202 215.6 Germany

Installation information

Surfacing requirements
Recommendation: Surface of reinforced watercourse

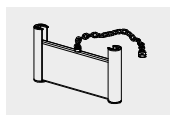
All equipment can be easily installed into any artificial watercourse.

Foundations
According to installation situation.

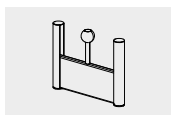
Attention:
Exact measurements may vary; for all installation dimensions refer to current assembly instructions.
Technical changes reserved.
For use in aggressive environments such as salt or chlorine water, the equipment is also available in marine grade steel (V4A).

Scale 1:10

Safety check according to DIN EN 1176



5.28030



5.28031



Order No. 5.28032 Sickle Gate



Order No. 5.28035 Rotating Gate

Play value

Experience the power of water – this can be achieved particularly well by damming water and then opening the floodgates. It is most fun when natural materials such as mud, leaves and small sticks are used to dam the water. However, this is often not possible or desired. Therefore, complementary elements such as locks or flaps are required.

Fundamental characteristics

- Easy handling
- Sturdy construction

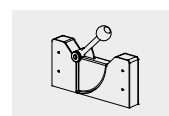
Recommended for

- Kindergarten children
- Supervised play areas such as kindergartens, schools, after-school programmes or similar
- Public play areas without supervision such as playgrounds, parks or similar

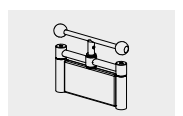


Order No. 5.28035 Rotating Gate, Photo © Daniel Perales

**Sickle Gate
Rotating Gate**



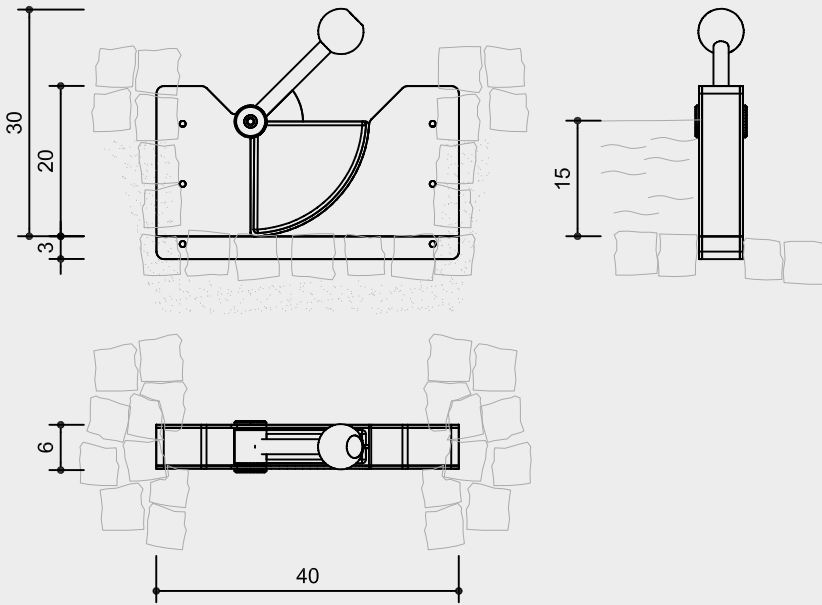
5.28032



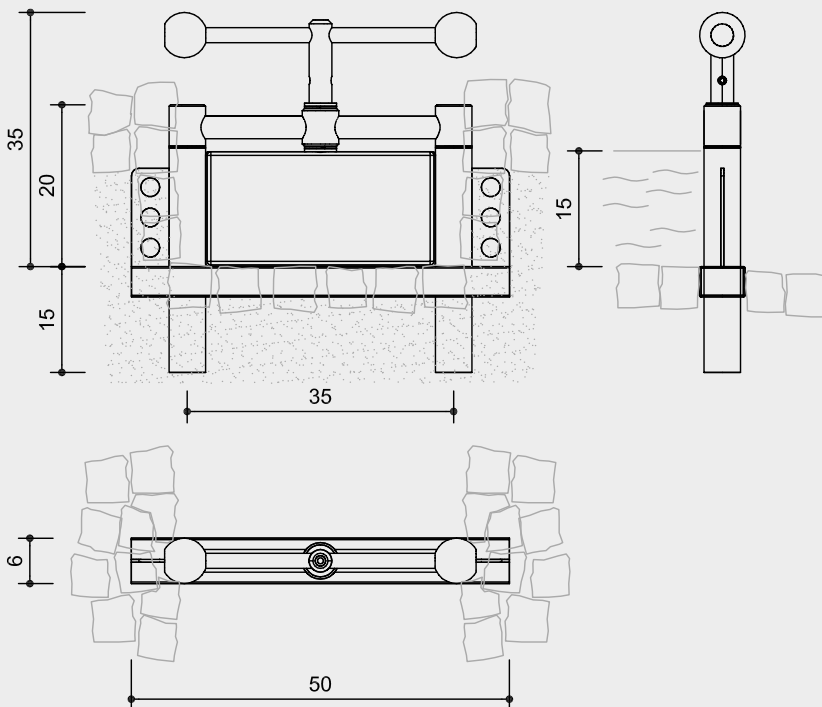
5.28035

Order No. 5.28032
Sickle Gate

Safety distance →
Device dimensions ●
Functional distance —



Order No. 5.28035
Rotating Gate



Technical information

Order No. 5.28032
Sickle Gate

Cover plates made of stainless steel, glass-bead blasted
Body, gate, ball head and plain bearing made of impact-resistant, coloured-through PUR plastic parts, black

Order No. 5.28035
Rotating Gate

Turning frame made of stainless steel, glass-bead blasted
Plain bearings, gates and ball heads made of impact-resistant, coloured-through PUR plastic parts, black

Dimensions

(small deviations possible)

Order No. 5.28032
Sickle Gate

Height	0.30 m
Width	0.40 m
Damming height	0.15 m
Weight	10 kg

Order No. 5.28035
Rotating Gate

Height	0.35 m
Width	0.50 m
Damming height	0.15 m
Weight	9 kg

Components

Order No. 5.28032
Sickle Gate

1 Sickle Gate
Registered Design
40 2020 202 219.9 Germany

Order No. 5.28035
Rotating Gate

1 Rotating Gate
Registered Design
40 2020 202 215.6 Germany

Installation information

Surfacing requirements
Recommendation: surface of reinforced watercourse

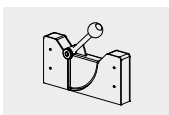
All equipment can be easily installed into any artificial watercourse.

Foundations
According to installation situation.

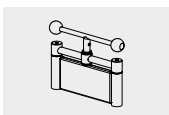
Attention:
Exact measurements may vary;
for all installation dimensions refer to current assembly instructions.
Technical changes reserved.
For use in aggressive environments such as salt or chlorine water, the equipment is also available in marine grade steel (V4A).

Scale 1:10

Safety check according to DIN EN 1176



5.28032



5.28035

Play value

Children particularly enjoy damming water. Opening the flaps gives them the opportunity to learn about the power of water in a playful way. It is most fun when natural materials such as mud, leaves and small sticks are used to dam the water. However, this is often not possible or desired. Therefore, complementary elements such as locks or flaps are required.

Fundamental characteristics

- Easy handling
- Sturdy construction

Recommended for

- Kindergarten children
- Supervised play areas, such as kindergartens, schools, after-school programmes or similar
- Public play areas without supervision, such as playgrounds, parks or similar

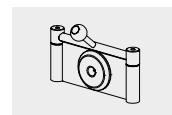


Order No. 5.28033 Round Flap

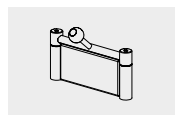
**Round Flap
Rectangular Flap**



Order No. 5.28034 Rectangular Flap



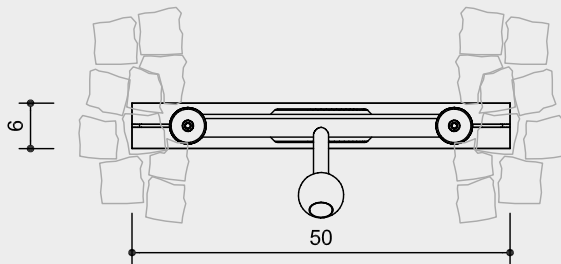
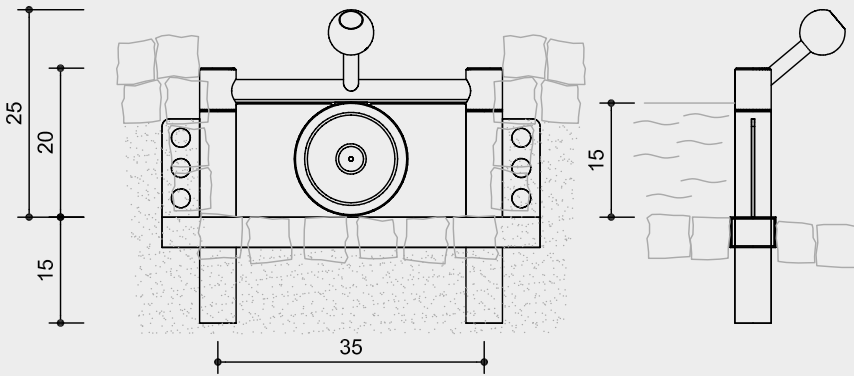
5.28033



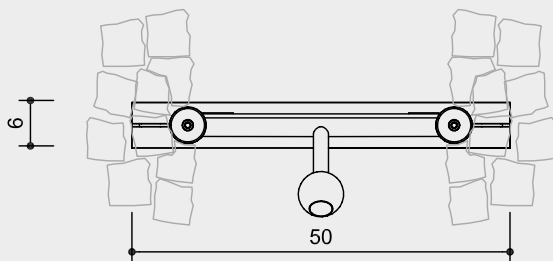
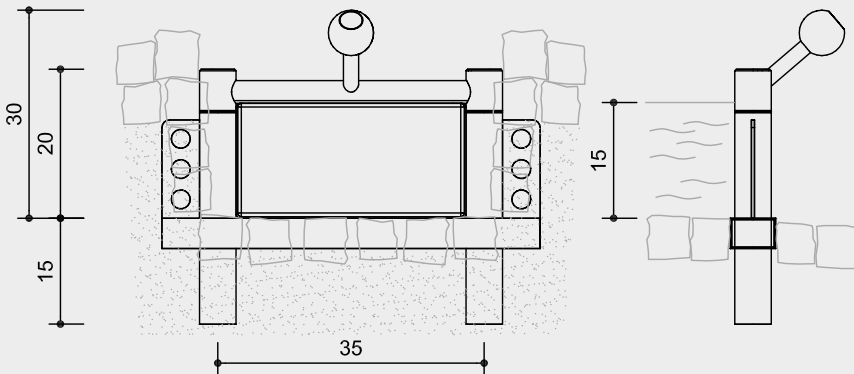
5.28034

Order No. 5.28033
Round Flap

Safety distance →
Device dimensions ●
Functional distance —



Order No. 5.28034
Rectangular Flap



Scale 1:10

Safety check according to DIN EN 1176

Technical information

Rotating frames made of stainless steel, glass-bead blasted

Ground anchor

All parts used for anchoring to the ground are made of hot-dip galvanised steel or stainless steel



Roller bearings

Roller bearings made of stainless steel for rotating elements, easy to maintain and exchange, sealed



For more detailed explanation of the quality characteristics see price list.

Flaps and ball heads made of impact-resistant, coloured-through PUR plastic parts, black

Dimensions

(small deviations possible)

Order No. 5.28033
Round Flap

Height	0.25 m
Width	0.50 m
Damming height	0.15 m
Weight	9 kg

Order No. 5.28034
Rectangular Flap

Height	0.30 m
Width	0.50 m
Damming height	0.15 m
Weight	9 kg

Components

1 Part each
Registered Design
40 2020 202 215.6 Germany

Installation information

Surfacing requirements
Recommendation: Surface of reinforced watercourse

All equipment can be easily installed into any artificial watercourse.

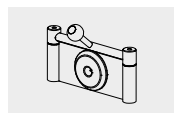
Foundations
According to installation situation.

Attention:

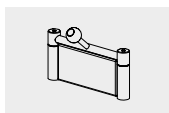
Exact measurements may vary; for all installation dimensions refer to current assembly instructions.

Technical changes reserved.

For use in aggressive environments such as salt or chlorine water, the equipment is also available in marine grade steel (V4A).



5.28033



5.28034

Play value

People and in particular children get a lot of enjoyment out of diverting the flow of water, making it flow faster or slower or damming it. The playing observer is able to experience different impressions from the shapes that form during the process.

Fundamental characteristics

- Easy handling
- Sturdy construction

Recommended for

- Supervised play areas, such as kindergartens, schools, after-school programmes or similar
- Public play areas without supervision, such as playgrounds, parks or similar
- Water play areas without supervision

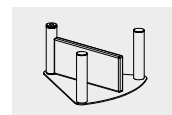


Order No. 5.28045 Canal Lock

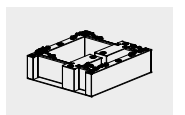
River Fork Canal Lock



Order No. 5.28040 River Fork



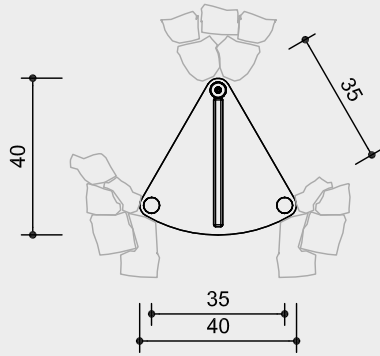
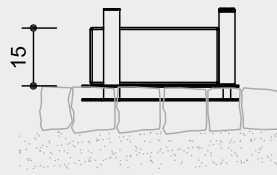
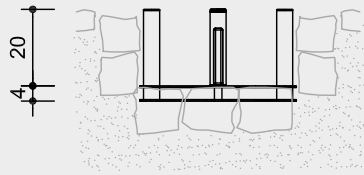
5.28040



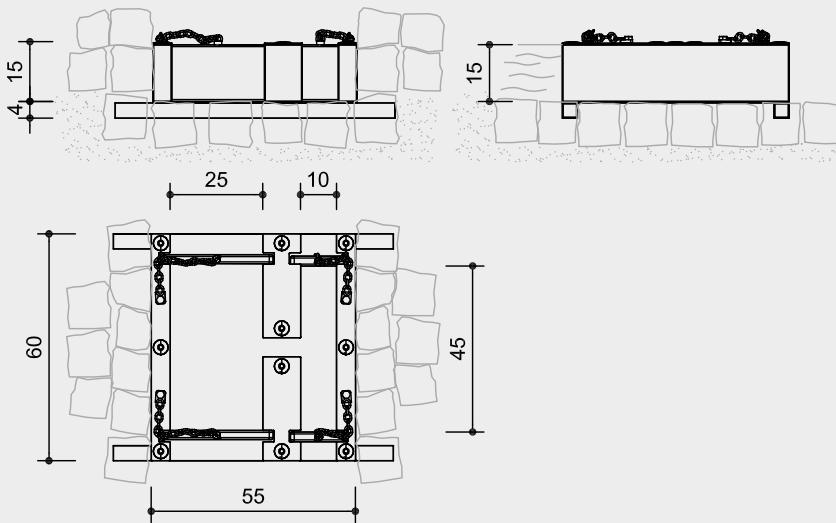
5.28045

Order No. 5.28040
River Fork

Safety distance →
Device dimensions ●
Functional distance —



Order No. 5.28045
Canal Lock



Technical information

Equipment made of stainless steel, glass-bead blasted and made of impact-resistant, coloured-through PUR plastic parts, black

Ground anchor

All parts used for anchoring to the ground are made of hot-dip galvanised steel or stainless steel



For more detailed explanation of the quality characteristics see price list.

Order No. 5.28045

Canal Lock

Gates made of PUR plastic, black secured against theft with chains. Short link chains made of V2A

Dimensions

(small deviations possible)

Order No. 5.28040

River Fork

Height	0.20 m
Width	0.40 m
Damming height	0.15 m
Weight	11 kg

Order No. 5.28045

Canal Lock

Height	0.15 m
Width	0.55 m
Length	0.60 m
Damming height	0.15 m
Weight	42 kg

Components

1 Part each
Registered Design
40 2020 202 219.9 Germany

Installation information

Surfacing requirements
Recommendation: Surface of reinforced watercourse.

All equipment can be easily installed into any artificial watercourse.

Foundations
According to installation situation.

Attention:

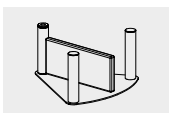
Exact measurements may vary; for all installation dimensions refer to current assembly instructions.

Technical changes reserved.

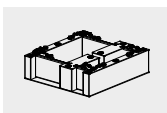
For use in aggressive environments such as salt or chlorine water, the equipment is also available in marine grade steel (V4A).

Scale 1:20

Safety check according to DIN EN 1176



5.28040



5.28045



Order No. 5.41020 Flow Table, old version



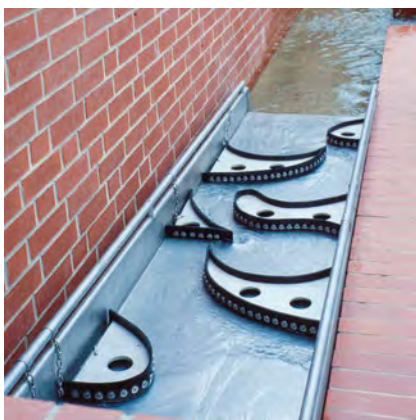
Order No. 5.41030 Flow Table

Play value

It is always easier to understand physical phenomena when one can observe it in real life. The experience is particularly intense when the result can be achieved by doing it one's self. This table, with its adjustable barriers forming obstacles to the flowing water, allows such an experience. Pictures of water currents flowing at different speeds become recognisable, as do whirls, whirlpools and meanders. When sand or gravel is added, one can watch the formation of islands or counter-currents. A special cognitive learning process is then afforded to children to aid their understanding. This is however not absolutely vital for being able to enjoy this instructive game.

Fundamental characteristics

- Easy handling
- Sturdy construction
- Differently shaped flow obstacles made of rubber for experiencing flow phenomena
- Incentive for playing: flow obstacles



Order No. 5.41020 Flow Table, old version

Flow Table

Recommended for

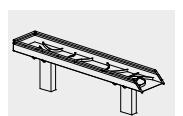
- Kindergarten children
- School children
- Public play areas without supervision, such as playgrounds, parks or similar
- Water play areas without supervision
- Swimming pools without supervision, such as outdoor pools, adventure pools or similar
- Leisure parks

Barrier-free

- Independent play

Planning information

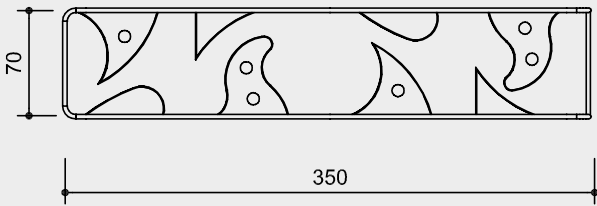
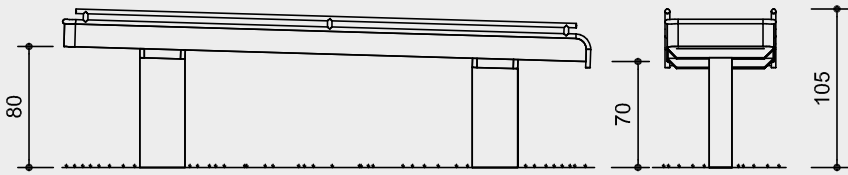
In order to be able to watch the streaming phenomena, a sufficiently high flow of water is necessary; e.g. an inlet flap leading from a pond, an Archimedes Screw with high rim allowing for a high transporting capacity, or directly behind a pump within a water play installation.



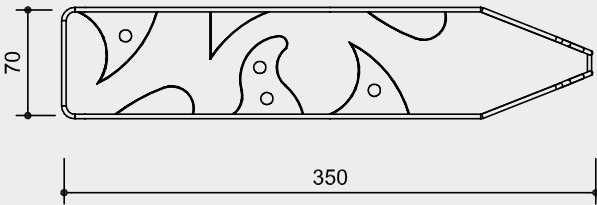
5.41020 / 5.41030

Order No. 5.41020
Flow Table
 with 8 obstacles

Safety distance →
 Device dimensions ●
 Functional distance —



Order No. 5.41030
Flow Table
 with pointed end on one side, with 8 obstacles



Scale 1:50

Safety check according to DIN EN 1176

Components

Order No. 5.41020

- 1 Flow Table complete with supporting feet and 8 flow obstacles

Order No. 5.41030

- 1 Flow Table complete pointed end on one side with supporting feet and 6 flow obstacles

Installation information

Surfacing requirements corresponding to a fall height of ≤ 1.00 m

We recommend pavement or a similar surface with a runoff for water.

Foundations
 2 items 50 x 70 x 50 cm
 Excavation depth 70 cm

Attention:
Exact measurements may vary; for all installation dimensions refer to current assembly instructions.
 Technical changes reserved.
For use in aggressive environments such as salt or chlorine water, the equipment is also available in marine grade steel (V4A).

Technical information

Equipment made of stainless steel, glass-bead blasted

Ground anchor

All parts used for anchoring to the ground are made of hot-dip galvanised steel or stainless steel



For more detailed explanation of the quality characteristics see price list.

Obstacles made of weather-proof solid rubber, fixed to chains, moveable along the railing

Dimensions

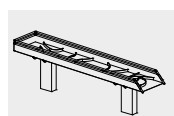
(small deviations possible)

Order No. 5.41020

Flow Table	
Height	1.05 m
Length	3.50 m
Width	0.70 m
Weight	206 kg

Order No. 5.41030

Flow Table	
Height	1.05 m
Length	3.50 m
Width	0.70 m
Weight	160 kg



5.41020 / 5.41030

Play value

It was not Captain Nemo's submarine, but the spiral-shaped snail-shell of nautilus pompilius, a cephalopod, similar to an ammonite, which inspired the designer to this special way of conveying water. When the big disc is turned, the conveyor snail starts taking in water and let it run off through the central hub. The maximum conveying height corresponds to the radius of the wheel. The Nautilus Snail is a very attractive water supply for water play systems and demands physical effort.



Order No. 5.42050 Nautilus Snail with Impulse Gutter



Photo © Daniel Perales



© Richter Spielgeräte GmbH 06/22



Order No. 5.42050 Nautilus Snail with Impulse Gutter

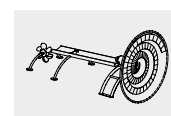
**Nautilus Snail with Impulse Gutter and Scooping Wheel
Nautilus Snail**

Recommended for

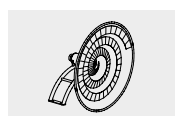
- School children
- Young people
- Public play areas without supervision, such as playgrounds, parks or similar
- Swimming pools without supervision, such as outdoor pools, adventure pools or similar
- Water play areas with and without supervision
- Leisure parks

Fundamental characteristics

- High-quality design
- Space-saving type of conveyor screw
- Incentive for playing: big wheel
- Movement: physical effort



5.42050

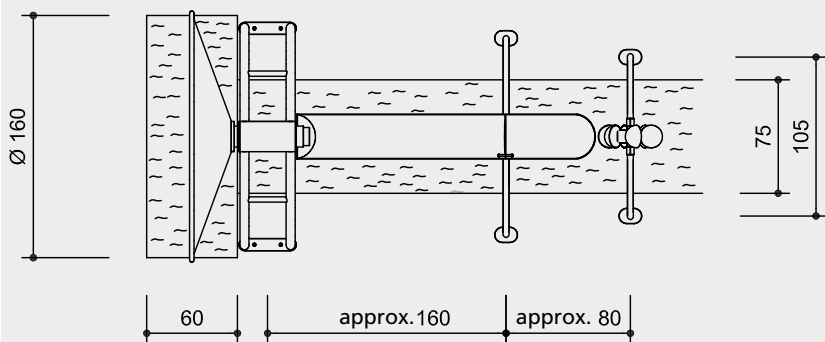
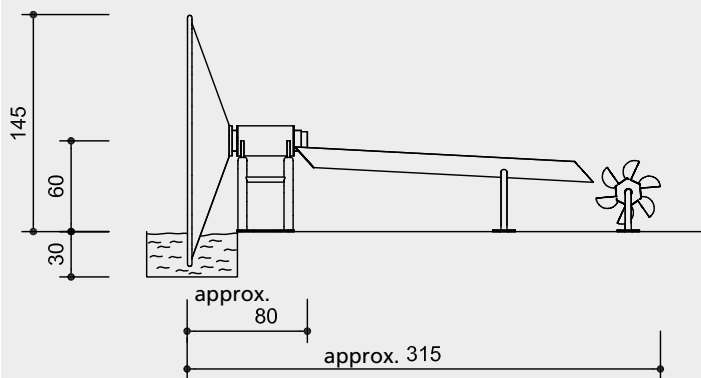


5.42060

Design M. Rohrbach / J. O. Gaier

Order No. 5.42050
Nautilus Snail
with Impulse Gutter and Scooping Wheel

Safety distance 
 Device dimensions 
 Functional distance 



Scale 1:50

Safety check according to DIN EN 1176

Components

- Order No. 5.42050**
 1 Nautilus Snail
 1 Rack
 1 Impulse Gutter
 1 Small Scooping Wheel,
Order No. 5.15910

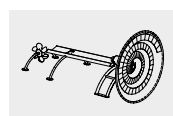
- Order No. 5.42060**
 1 Nautilus Snail

Installation information

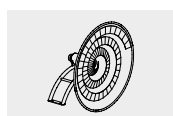
- Surfacing requirements
 no fall height according to standard
- For a proper function a water depth of at least 30 cm is required. In order to make sure that the Nautilus Snail conveys enough water, it should go approx. 20 cm deep into the water.
 - Water supply, scooping and collecting basin need to be provided for by customer.

Foundations
 Depending on overall installation

Attention:
Exact measurements may vary;
for all installation dimensions refer
to current assembly instructions.
 Technical changes reserved.
For use in aggressive environments
such as salt or chlorine water, the
equipment is also available in marine
grade steel (V4A).



5.42050



5.42060

Technical information

Equipment made of stainless steel,
 glass bead blasted

Ground anchor

All parts used for anchoring to the
 ground are made of hot-dip galvanised
 steel or stainless steel



Roller bearings

Roller bearings made of stainless steel
 for rotating elements, easy to maintain
 and exchange, sealed



**For more detailed explanation of the
 quality characteristics see price list.**

Order No. 5.42050

Impulse gutter made of stainless steel
 metal sheet, thickness 2 mm, with grip-
 friendly rim

Locking element of rubber

Order No. 5.15910

Small Scooping Wheel
 Thickness of metal sheet 3 mm
 diameter of hemisphere 150 mm

Dimensions
 (small deviations possible)

Order No. 5.42050
Nautilus Snail

Height	1.45 m
Length	3.15 m
Diameter	1.60 m
Weight	175 kg

Order No. 5.42060
Nautilus Snail

Height	1.45 m
Length	0.80 m
Diameter	1.60 m
Weight	110 kg



Play value

The Small Waterworks is an attractive and interesting design element in a water play system. When the large disc is turned, the spiral shaped channel begins to take up the water and deliver it via the central hub to the paddle wheel.



© Richter Spielgeräte GmbH 06/22

Small Waterworks

Fundamental characteristics

- High-quality design
- Space-saving type of conveyor screw
- Incentive for playing: big wheel
- Movement: physical effort


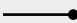
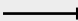
Recommended for

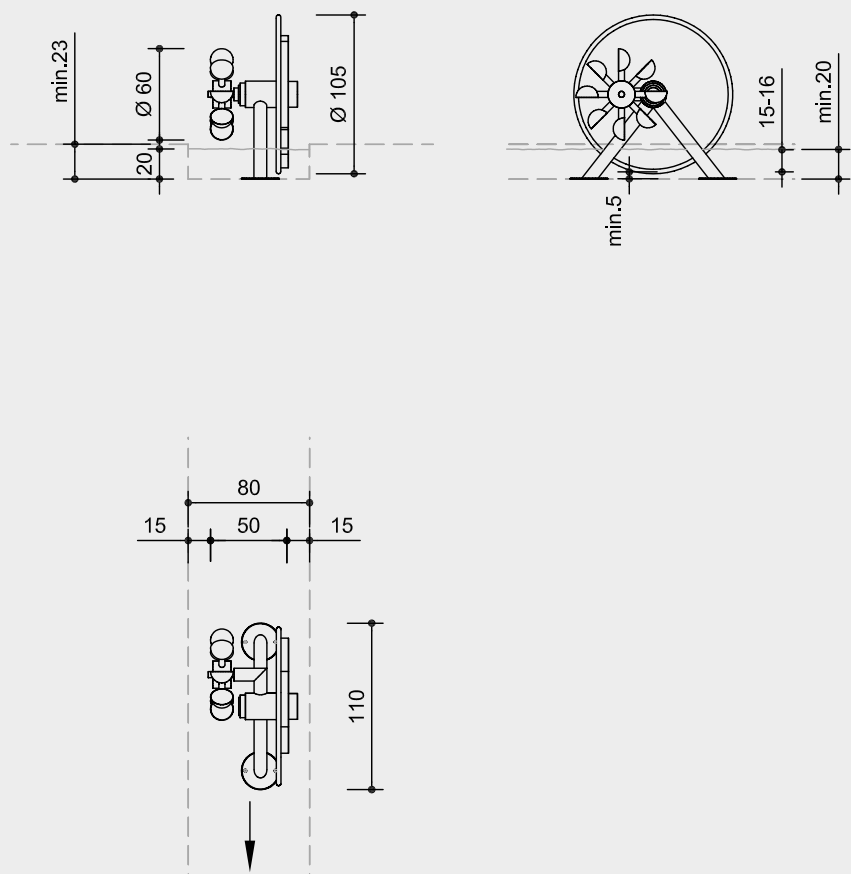
- Kindergarten children
- School children
- Waterplay areas without supervision
- Swimming pools without supervision, such as outdoor pools, adventure pools or similar
- Leisure parks



5.43800

Order No. 5.43800
Small Waterworks

Safety distance 
 Device dimensions 
 Functional distance 



Scale 1:50

Safety check according to DIN EN 1176

Components

- 1 Nautilus snail with scooping wheel and fastening material

Installation information

Untergrund
 no fall height according to standard

In order to convey a sufficient amount of water, the wheel must be submerged min. 15 cm in the water.

Foundations
 Depending on overall installation

Attention:
Exact measurements may vary;
for all installation dimensions refer
to current assembly instructions.
 Technical changes reserved.

Technical information

Equipment made of stainless steel, glass bead blasted

Ground anchor

All parts used for anchoring to the ground are made of hot-dip galvanised steel or stainless steel



Roller bearings

Roller bearings made of stainless steel for rotating elements, easy to maintain and exchange, sealed

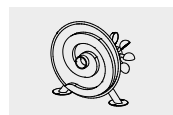


For more detailed explanation of the quality characteristics see price list.

Dimensions

(small deviations possible)

Length	1.10 m
Width	0.50 m
Weight	150 kg



5.43800



Standard colour of rope red

Play value

Children like to travel on equipment that is propelled using their own power. If this can be achieved on water, then the fun is doubled. The age old principle of the rope ferry is the inspiration behind our swimming bridge for small lakes in parks, leisure areas and on playgrounds. A rope anchored on both sides connects the two facing banks. The ferry is securely pulled from one side to the other on this rope. A foam-filled hollow form ensures its „seaworthiness“. The incorporated concrete counterweight prevents tipping of the boat body. The rope ferry is often integrated into role play, however it is also a fascinating means of transport with which one can only travel back and forth again and again.



Photo © David Hedges

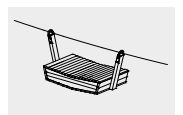
Rope Ferry

Fundamental characteristics

- Unsinkable
- Due to the concrete counterweight it gets always back in its original position
- Wooden surface is pleasant also for bare feet
- Incentive for playing: rope from one bank to the other, means of transport
- Movement: physical effort, balancing

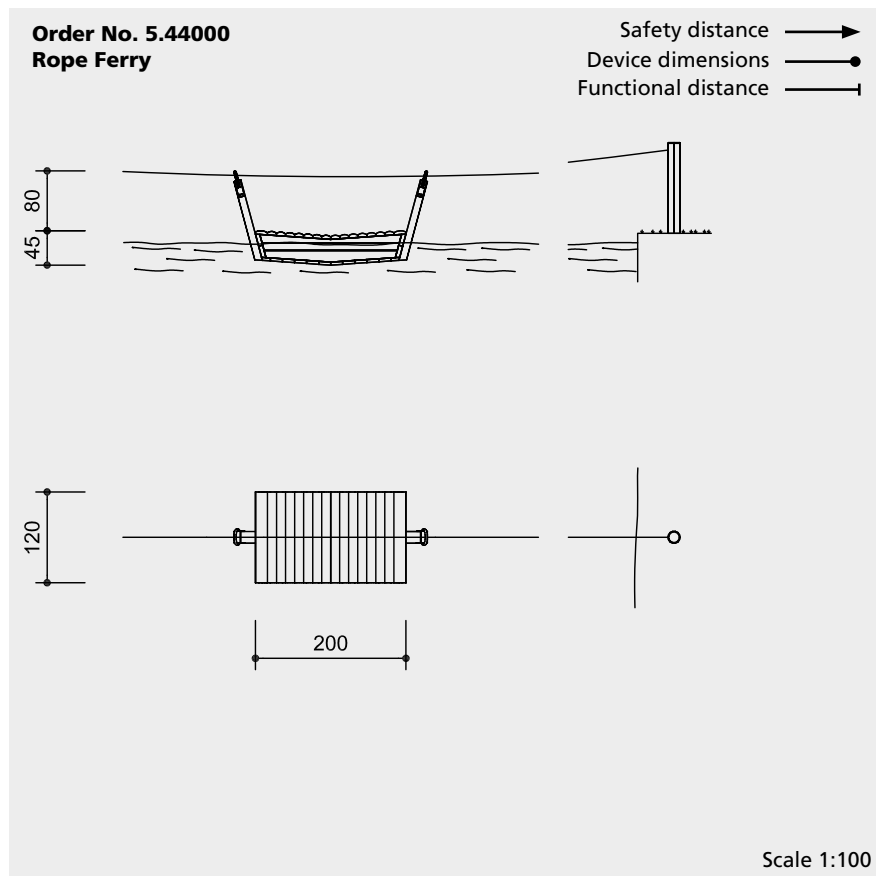
Recommended for

- School children
- Young people
- Adults
- Leisure parks and swimming pools with supervision areas



5.44000





Safety check according to DIN EN 1176

Components

- 1 Raft
- 1 Rope, length 18.00 m with one support post per side

Other rope lengths available on request.

On request, impact protection (**Order No. 0.93471 Shock absorber for Rope Ferry**) available.

Installation information

Surfacing requirements corresponding to a fall height of ≤ 0.60 m

A water depth of at least 60 cm is necessary for operation. Use only in fenced and supervised areas, not for pool areas.

Space requirement and foundations depend on local conditions.

Foundations for support posts
2 items 60 x 60 x 60 cm
Excavation depth 80 cm

Attention:

Exact measurements may vary, for all installation dimensions refer to current installation instructions.
Technical changes reserved.

Technical information

Equipment made of non-impregnated mountain larch

Peeled white

Palisades peeled white means that bark, cambium and sapwood are removed, the natural shape of the trunk is preserved and can be experienced



Core-free

Sawn-timbers core-free, thus decreasing occurrences of cracking and undesired changes in shape



Claddings

Claddings made of mountain larch (4 – 5 cm). Peeled white by hand, natural tree surface remains tangible and perceptible



Richter Hercules type rope

Richter Hercules type rope, a combination of galvanised six-strand steel cables and polyester yarn, diameter > 20 mm, laid and glued with very good abrasion resistance, strong sheathing even in the case of damage by puncturing



Aluminium rope pressing

Aluminium rope pressing, cylindrically pressed, with rounded ends



Rope connection fixed

Fixed rope connection without dangerous openings. Screw connection adjustable and countersunk in the wood



For more detailed explanation of the quality characteristics see price list.

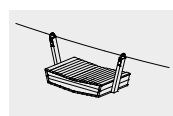
Rope guides made of stainless steel, glass bead blasted

Floating body made of closed-pore foam, concrete plate as counterweight

Dimensions

(small deviations possible)

Pedestal size	2.00 m x 1.20 m
Weight	400 kg



5.44000



Play value

The raft is an associative play equipment which is connected with adventure, e.g. Huckleberry Finn, raftsmen, shipwreck and much more. Children love to move across water with the help of the punting pole. They enjoy the small risk of falling in. Furthermore, it is great fun to experience one's own force and skills. The floating body of the raft is, just as in the case of the cable ferry, a foamed hollow form and assures safe floating. On the raft, there is a mast-type pole to hold on which can also be used in „emergencies“ to set a shirt as sail. This watercraft is propelled and steered with the help of a long punting pole.



Raft with 1 Punting pole



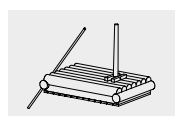
Special version with mast extension

Fundamental characteristics

- Real wooden raft made of half-round trunks
- Unsinkable floating body
- Stability by a concrete counter-weight
- Wooden surface is pleasant also for bare feet
- Incentive for playing: travelling on water
- Movement: physical effort, balancing


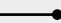
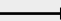
Recommended for

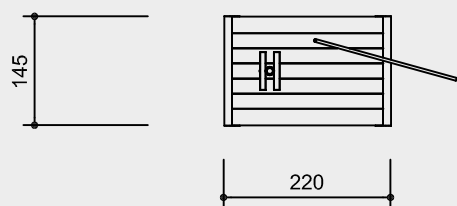
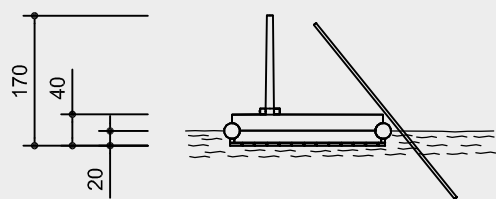
- School children
- Young people
- Adults
- Leisure parks and swimming pools with supervision areas



5.45000

Order No. 5.45000
Raft with 1 Punting pole

Safety distance 
 Device dimensions 
 Functional distance 



Scale 1:100

Safety check according to DIN EN 1176

Components

- 1 Raft
- 1 Punting pole

Installation information

Surfacing requirements corresponding to a fall height of ≤ 0.60 m

A water depth of at least 60 cm is necessary for operation.
 Use only in fenced and supervised areas, not for pool areas.

Attention:
Exact measurements may vary, for all installation dimensions refer to current installation instructions.
 Technical changes reserved.

Technical information

Equipment made of non-impregnated mountain larch

Peeled white

Palisades peeled white means that bark, cambium and sapwood are removed, the natural shape of the trunk is preserved and can be experienced



Core-free

Sawn-timbers core-free, thus decreasing occurrences of cracking and undesired changes in shape



For more detailed explanation of the quality characteristics see price list.

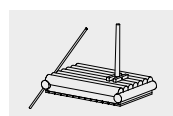
Floating body of closed-pore foam, concrete plates as counterweight

Punting pole milled, \varnothing 42 mm, made of ash

Dimensions

(small deviations possible)

Height	1.70 m
Height of mast	1.30 m
Length	2.20 m
Width	1.45 m
Weight	500 kg



5.45000

Play value

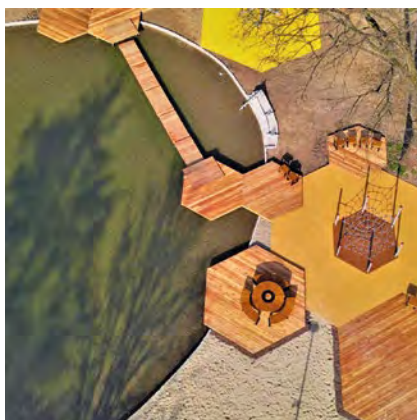
You can cross over from one bank to the other without getting wet feet when walking on the Water Path and keeping right in the middle. However, it is much more fun to have a wet crossing, wobbling and bobbing up and down, rocking and tottering, and all this without any risk of „capsizing“ completely. It’s only a slightly wet passage. The individual floating bodies are threaded on to steel cables on both sides and the access is defined by the design of the bank area. The length of the Water Path is dependent on the planning.



Photo © David Hedges



Photo © David Hedges



Fundamental characteristics

- Unsinkable floating body
- Threading keeps the floating bodies within a defined area
- The floating bodies influence each other what makes the passage even more interesting
- Wooden surface is pleasant also for bare feet
- Incentive for playing: „daring“ passage
- Movement: balancing

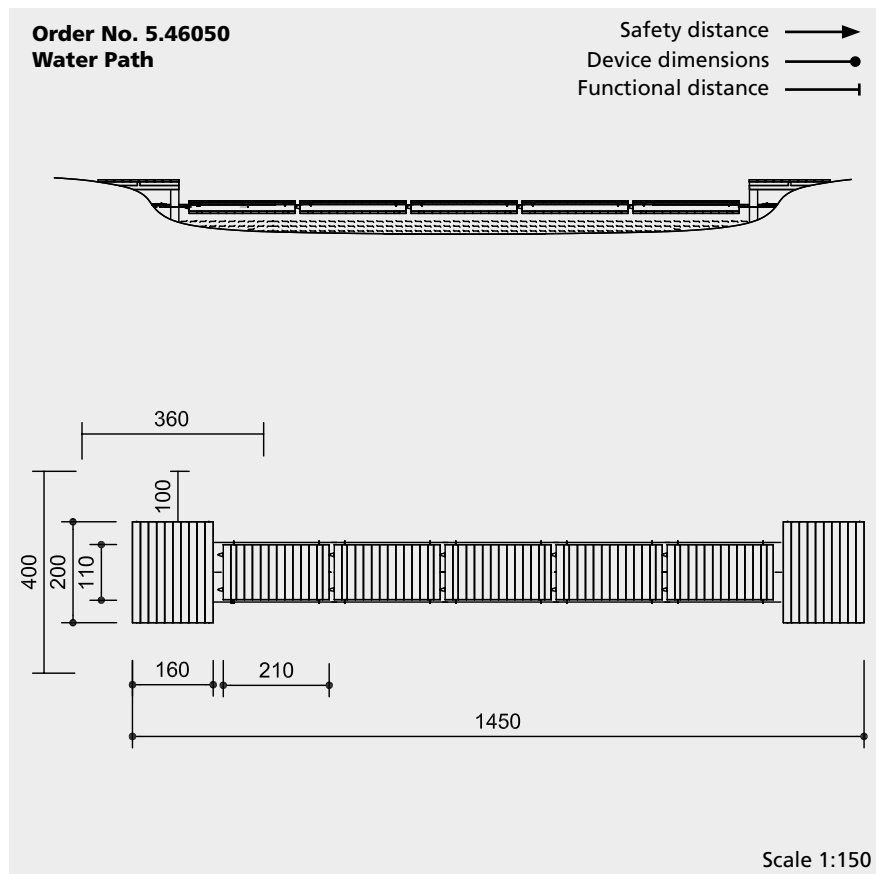
Recommended for

- School children
- Young people
- Adults
- Leisure parks and swimming pools with supervision areas

Water Path



5.46050



Safety check according to DIN EN 1176

Components

- 5 Floating bodies
- 2 Stainless steel cables with anchor chains and turnbuckles, depending on local situation and length with lateral fixations
- 2 Bank pedestals

Installation information

Surfacing requirements corresponding to a fall height of ≤ 0.60 m

A water depth of at least 60 cm is necessary for operation.
Use only in fenced and supervised areas, not for pool areas.

Foundations depend on individual project

Attention:
Exact measurements may vary, for all installation dimensions refer to current installation instructions.
Technical changes reserved.

Technical information

Equipment made of non-impregnated mountain larch

Peeled white

Palisades peeled white means that bark, cambium and sapwood are removed, the natural shape of the trunk is preserved and can be experienced



Core-free

Sawn-timbers core-free, thus decreasing occurrences of cracking and undesired changes in shape



Tongue and groove

Tongue and groove planks made of 4 cm solid wood, highly resilient, no trickling of dust / sand, protection against direct rain



For more detailed explanation of the quality characteristics see price list.

Floating bodies filled with closed-pore foam

Steel cable and cable guides of stainless steel

Dimensions

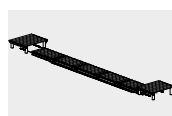
(small deviations possible)

Floating bodies

Height	0.25 m
Length	2.10 m
Width	1.10 m
Weight	300 kg

Bank pedestals

Height	0.50 m
Size	2.00 x 1.60 m
Weight	200 kg



5.46050

Play value

The water play installation AQuadrat® is a flexible modular system made of larch with gutters made of stainless steel. Due to its design qualities, it can be installed in pedestrian zones, streets and piazzas. Here, AQuadrat® is not only an attractive meeting point with unusual seats, it offers „clean“ play and adventure for children with water in surroundings unfamiliar for playing. AQuadrat® enriches urban life. On the other hand, due to its sturdy construction and many possibilities for combination with Archimedes Screws, Water Wheels or Pumps, AQuadrat® is also an attractive play offer in water-



AQuadrat®, combined with Archimedes Screw



AQuadrat®

Fundamental characteristics

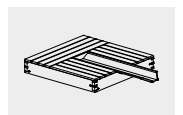
- High-quality design
- Unusual seats
- Modular system

Recommended for

- Kindergarten children
- School children
- Public play areas without supervision, such as playgrounds, parks or similar
- Swimming pools without supervision, such as outdoor pools, adventure pools or similar

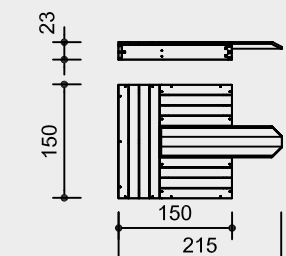
© Richter Spielgeräte GmbH 06/22

Design G. Beltzig / P. Heuken

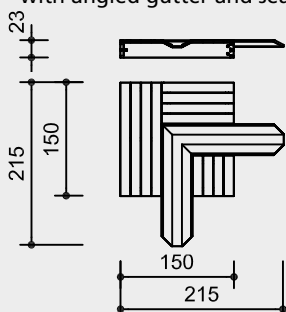


5.51000 - 5.53400

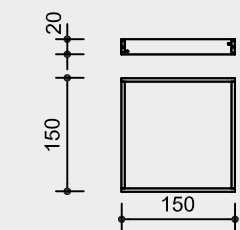
Order No. 5.51000 AQuadrat®
with straight gutter



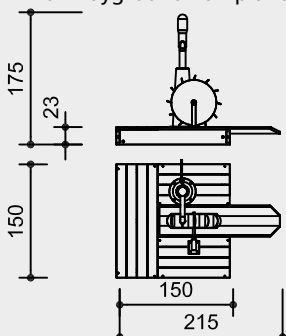
Order No. 5.52000 AQuadrat®
with angled gutter and seal



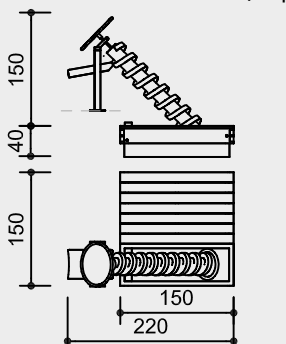
Order No. 5.53010 AQuadrat®
substructure without feet



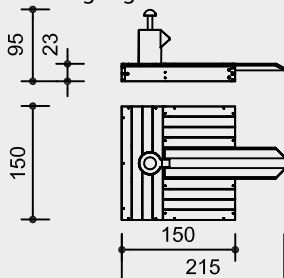
Order No. 5.53200 AQuadrat®
with Playground Pump and Water Wheel



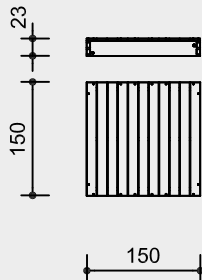
Order No. 5.53400 AQuadrat®
with Archimedes Screw, supporting construction and run out dish



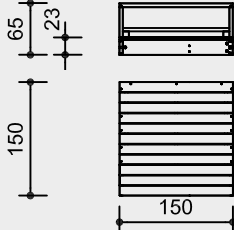
Order No. 5.51010 AQuadrat®
with straight gutter and Mushroom Pump



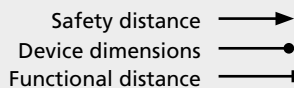
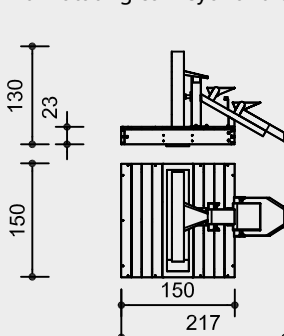
Order No. 5.53000 AQuadrat®



Order No. 5.53100 AQuadrat®
with bench

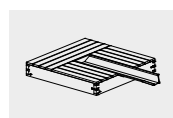


Order No. 5.53300 AQuadrat®
with rotating conveyor and tipper tray



Scale 1:100

Safety check according to DIN EN 1176



5.51000 - 5.53400

Technical information

Pedestals

Modular system made of non-impregnated mountain larch, in high-quality and superior construction

Core-free

Sawn-timbers core-free, thus decreasing occurrences of cracking and undesired changes in shape



Ground anchor

All parts used for anchoring to the ground are made of hot-dip galvanised steel or stainless steel



For more detailed explanation of the quality characteristics see price list.

With dovetail jointed corners
Gutters made of stainless steel, glass bead blasted
Functional elements made of stainless steel, glass bead blasted, shutter made of industrial rubber

Order No. 5.51010 / 5.53200

Up-to-date details on the connection for the water supply see **Order No. 5.18000 Mushroom Spring** and **Order No. 5.17630 Playground Pump.**

Order No. 5.53300 / 5.53400

Connection to mains water max. 6 bar, required diameter for water supply 3/4 inch inside (we recommend a compression proof diameter 3/4 inch)

Dimensions

(small deviations possible)

Size of module	1.50 x 1.50 m
Height of single elements	0.23 m
Height of the substructure	0.20 m

Components

Depending on the overall installation

Order No. 5.50001 - 5.53010

Trademark

303 39 335.1 Germany

Installation information

Surfacing requirements
no fall height according to standard;
a staircase like construction may make necessary a check of the critical fall heights.

Recommendation

Sand with drainage and pavement with gully and corresponding landscaping.

Foundations per corner
1 item 50 x 50 x 50 cm
Excavation depth 70 cm

Attention:

Exact measurements may vary, for all installation dimensions refer to current installation instructions.
Technical changes reserved.
For use in aggressive environments such as salt or chlorine water, the water bearing elements are also available in marine grade steel (V4A).

Movement

Swings	P. 327 - 354
Turning	P. 355 - 384
Riding	P. 385 - 388
Jumping	P. 389 - 394
Balancing	P. 395 - 408
Climbing	P. 409 - 464
See-Saws	P. 465 - 492

Play value

Our Scales are similar to a raised see-saw with hanging pendulum seats. The swinging up-and-down movements can be either gentle or more forceful depending on how the children push off from the ground. Being able to make the pendulum seats move sideways, in circles as well as together with several other children on one seat makes it even more fun.



Version made of square timber



Scales

Fundamental characteristics

- De-barked support posts inspire confidence
- Incentive for playing: high timber construction, suspended pendulum seats
- Movement: up and down, swaying, swinging

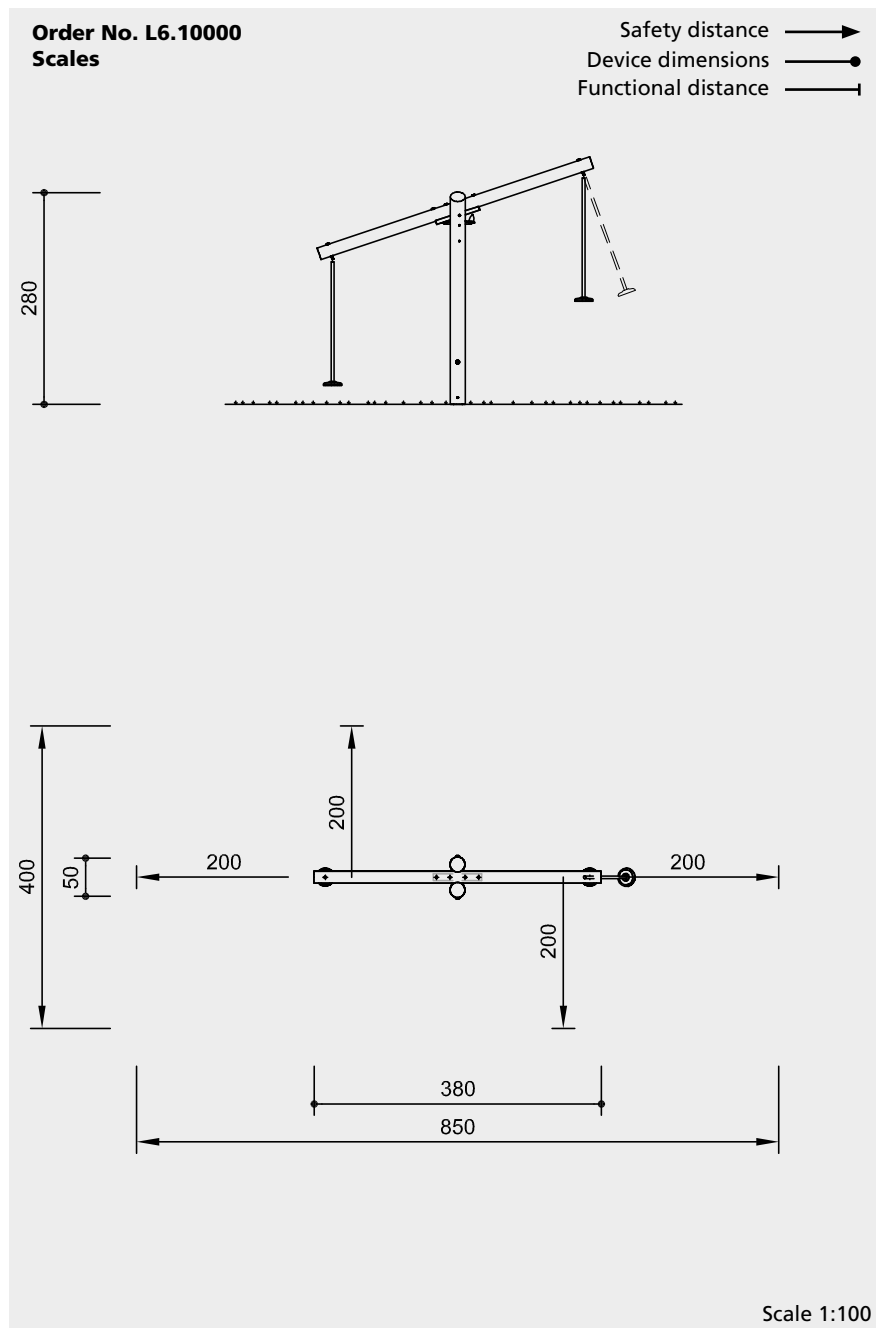
Recommended for

- School children
- Supervised play areas, such as schools, after-school programmes or similar
- Public play areas without supervision, such as playgrounds, parks or similar
- Swimming pools without supervision, such as outdoor pools, adventure pools or similar

© Richter Spielgeräte GmbH 06/22



L6.10000



Safety check according to DIN EN 1176

Components

- 1 Support frame with steel feet and shock absorbing mechanism
- 1 Scale beam
- 2 Pendulum seats on universal joints

Installation information

Surfacing requirements corresponding to a fall height of ≤ 1.50 m (please refer to price list for more detailed information)

Foundations
1 item 80 x 80 x 60 cm
Excavation depth 80 cm

Attention:
Exact measurements may vary;
for all installation dimensions refer to current assembly instructions.
Technical changes reserved.

Technical information

Equipment made of non-impregnated mountain larch

Peeled white

Palisades peeled white means that bark, cambium and sapwood are removed, the natural shape of the trunk is preserved and can be experienced



Bevel cut

Vertical stand posts with bevelled end grain section as constructive wood preservation measure



Pendulum seat

Pendulum seat with a large rubber surface. Soft, protective edge and steel insert



Universal joint

Drop-forged, hot-dip galvanised universal joint, consists of two sintered bushes, for free swinging in any direction



Profiled washer

Profiled washer for covering protruding screw heads according to standard, improved pressure distribution and protection against water. Impedes loosening the bolt



Adjustable

Adjustable two-piece bolt connection, easy to maintain, no projecting threads



Sintered bush

For all reciprocating movements we use sintered plain bearings which are self-lubricating in use and can easily be exchanged if necessary



Ground anchor

All parts used for anchoring to the ground are made of hot-dip galvanised steel or stainless steel



Chains

Chains made of hot-dip galvanized steel (1.4301 / 1.4571 at extra charge) welded before galvanising, short-linked, without eyelets on the connecting parts, easy to exchange and shorten



For more detailed explanation of the quality characteristics see price list.

Strong buffer mechanism, hot-dip galvanised

Dimensions

(small deviations possible)

Height	2.80 m
Length	3.80 m
Width	0.50 m
Weight	200 kg



L6.10000

Play value

With its surprising range of movement, the Swing Scales can enrich nearly any play area. The children themselves become pendulum weights and in this way they can discover physical phenomena such as balancing by playing. With the Scales Swing, children can sway gently or have fun with wilder, more energetic movement. That is why this equipment is also suitable for older children. The swing promotes communication and body awareness.



Photo © Daniel Perales



Photo © Daniel Perales



© Richter Spielgeräte GmbH 06/22



Design P. Hannes

Swing Scales

Fundamental characteristics

- Unique and original
- Incentive for playing:
suspended swinging device
- Movement: swaying, swinging,
see-sawing

Recommended for

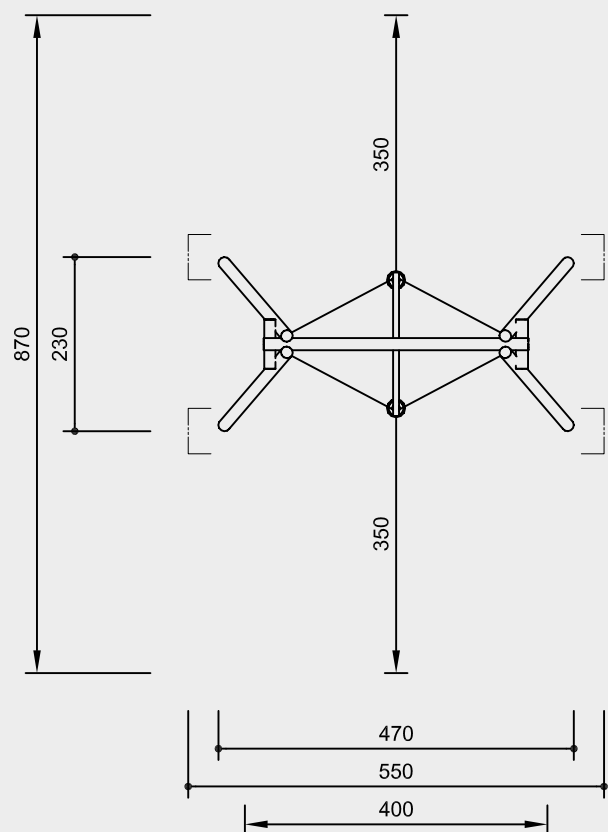
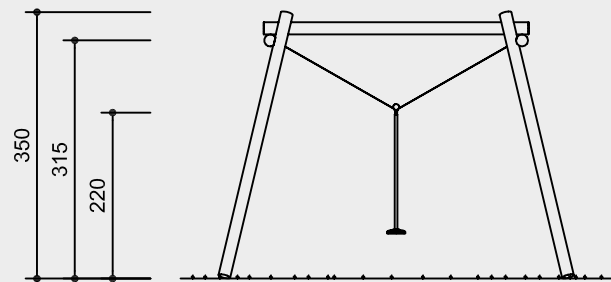
- School children
- Young people
- Public play areas without supervision,
such as playgrounds, parks or similar
- Supervised play areas such as
kindergartens, schools, after-school
programmes or similar
- Swimming pools without supervision,
such as outdoor pools, adventure pools
or similar



L6.10200

Order No. L6.10200
Swing Scales

Safety distance 
Device dimensions 
Functional distance 



Scale 1:100

Safety check according to DIN EN 1176

Components

- 2 Support frames with steel feet
- 1 Cross beam
- 1 Round pole with fittings
- 2 Pendulum seats
- 2 Ropes

Installation information

Surfacing requirements corresponding to a fall height of ≤ 1.50 m (for more detailed information see price list)

Foundations
4 items 60 x 60 x 60 cm
Excavation depth 80 cm

Attention:
Exact measurements may vary, for all installation dimensions refer to current installation instructions.
Technical changes reserved.

Technical information

Equipment made of non-impregnated mountain larch

Peeled white

Palisades peeled white means that bark, cambium and sapwood are removed, the natural shape of the trunk is preserved and can be experienced



Pendulum seat

Pendulum seat with a large rubber surface. Soft, protective edge and steel insert



Richter Hercules type rope

Richter Hercules type rope, a combination of galvanised six-strand steel cables and polyester yarn, diameter > 20 mm, laid and glued with very good abrasion resistance, strong sheathing even in the case of damage by puncturing



Aluminium rope pressing

Aluminium rope pressing, cylindrically pressed, with rounded ends



Universal joint

Drop-forged, hot-dip galvanised universal joint, consists of two sintered bushes, for free swinging in any direction



Adjustable

Adjustable two-piece bolt connection, easy to maintain, no projecting threads



Sintered bush

For all reciprocating movements we use sintered plain bearings which are self-lubricating in use and can easily be exchanged if necessary



Ground anchor

All parts used for anchoring to the ground are made of hot-dip galvanised steel or stainless steel



Chains

Chains made of hot-dip galvanized steel (1.4301 / 1.4571 at extra charge) welded before galvanising, short-linked, without eyelets on the connecting parts, easy to exchange and shorten



For more detailed explanation of the quality characteristics see price list.

Dimensions

(small deviations possible)

Height	3.50 m
Length	4.70 m
Width	2.30 m
Weight	360 kg



L6.10200

Play value

We developed a new version with a cross beam made of steel to give the Toddler's Twin Swing a special design. The sophisticated corner connection ensures extra stability for the entire construction. No playground is complete without a swing. It is important that children are offered the right equipment to promote development. Swinging to-and-fro is a basic movement and is not just fun for children. Swinging releases stress, has a comforting effect and is very enjoyable, especially done together next to one another.



Order No. 6.12020 Toddler's Swing – special



Order No. 6.12720 Toddler's Twin Swing – special

Fundamental characteristics

- Aesthetically appealing design
- Incentive for playing: repeating familiar activities
- Movement: swinging, jumping off

Recommended for

- Children under 3 years
- Kindergarten children
- Supervised play areas, such as kindergartens, schools, after-school programmes or similar
- Public play areas without supervision, such as playgrounds, parks or similar

**Toddler's Swing – special
Toddler's Twin Swing – special**

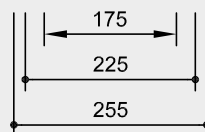
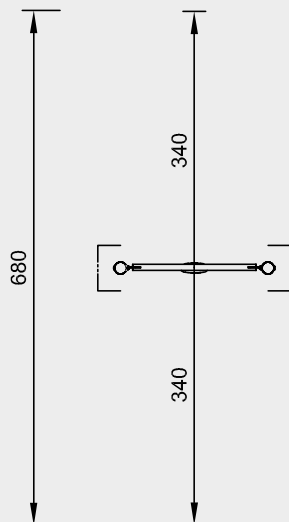
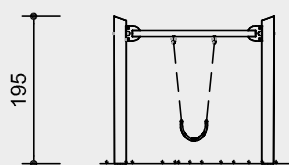


6.12020

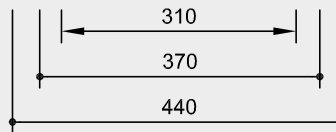
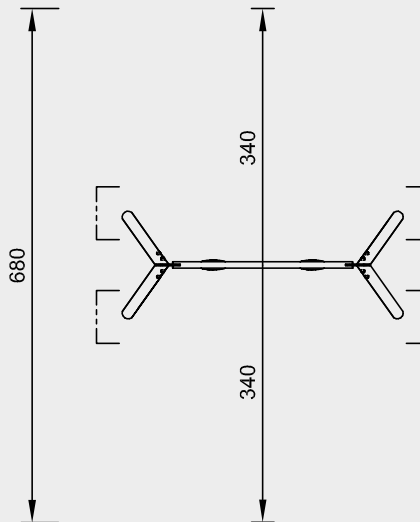
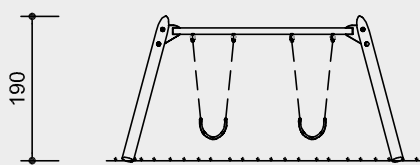


6.12720

Order No. 6.12020
Toddler's Swing – special



Order No. 6.12720
Toddler's Twin Swing – special



Safety distance →
Device dimensions —●—
Functional distance —|—

Scale 1:100

Safety check according to DIN EN 1176

Components

Order No. 6.12020
Toddler's Swing – special

- 1 Swing with steel feet and cross beam made of steel
- 1 Toddler belt seat with chains

Order No. 6.12720
Toddler's Twin Swing – special

- 1 Swing with steel feet and cross beam made of steel
- 2 Toddler belt seats with chains

Installation information

Surfacing requirements corresponding to a fall height of ≤ 1.00 m (please refer to price list for more detailed information)

Foundations

- Order No. 6.12020**
2 items 60 x 60 x 60 cm
Excavation depth 80 cm
- Order No. 6.12720**
4 items 60 x 70 x 40 cm
Excavation depth 60 cm

Attention:
Exact measurements may vary;
for all installation dimensions refer to current installation instructions.
Technical changes reserved.



6.12020



6.12720

Technical information

Equipment made of non-impregnated mountain larch

Peeled white

Palisades peeled white means that bark, cambium and sapwood are removed, the natural shape of the trunk is preserved and can be experienced



Swing joint

Drop-forged, hot-dip galvanised swing joint with sintered bush and integrated swivel



Profiled washer

Profiled washer for covering protruding screw heads according to standard, improved pressure distribution and protection against water. Impedes loosening the bolt



Sintered bush

For all reciprocating movements we use sintered plain bearings which are self-lubricating in use and can easily be exchanged if necessary



Ground anchor

All parts used for anchoring to the ground are made of hot-dip galvanised steel or stainless steel



Cross beam made of steel

Swing cross beam made of hot-dip galvanised steel. Optimized swing geometry with rigid corner connections, thus allowing for smaller foundations and easier foundation covering



Chains

Chains made of hot-dip galvanized steel (1.4301 / 1.4571 at extra charge) welded before galvanising, short-linked, without eyelets on the connecting parts, easy to exchange and shorten



Flexible swing seat made of steel reinforced rubber

Order No. 6.12720

As above, but in addition with

Interlocking

Interlocking connection, with milled metal rings or serrated disc dowels, to reinforce the bolt connection under high loads transverse to the grain direction of the wood



For more detailed explanation of the quality characteristics see price list.

Dimensions

(small deviations possible)

Order No. 6.12020
Toddler's Swing – special

Height	1.95 m
Vertical clearance	1.70 m
Width	2.25 m
Weight	130 kg

Order No. 6.12720
Toddler's Twin Swing – special

Height	1.90 m
Vertical clearance	1.70 m
Width	3.70 m
Weight	180 kg

Play value

For giving the Multi-surface Swing a new design, we developed the special version with metal cross beam. The technically thought-out corner connections make the equipment very sturdy. A playground is not complete without a swing. Children need the possibility of swinging during their development. Swinging to and fro is a basic movement and is fun not only for children. Swinging has a comforting effect, removes tensions and provides pleasure, particularly if swinging is possible side by side.



Photo © Daniel Perales



Order No. 6.12820 Multi-surface Twin Swing special



© Richter Spielgeräte GmbH 06/22

Fundamental characteristics

- High-quality design
- Swing height is optimised so that the unit may also be placed on a lawn
- Incentive for playing: repeat known activity
- Movement: swinging, jumping off

Recommended for

- Kindergarten children
- Supervised play areas, such as kindergartens, schools, after-school programmes or similar
- Public play areas without supervision, such as playgrounds, parks or similar

**Multi-surface Swing special
Multi-surface Twin Swing special**


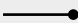
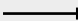


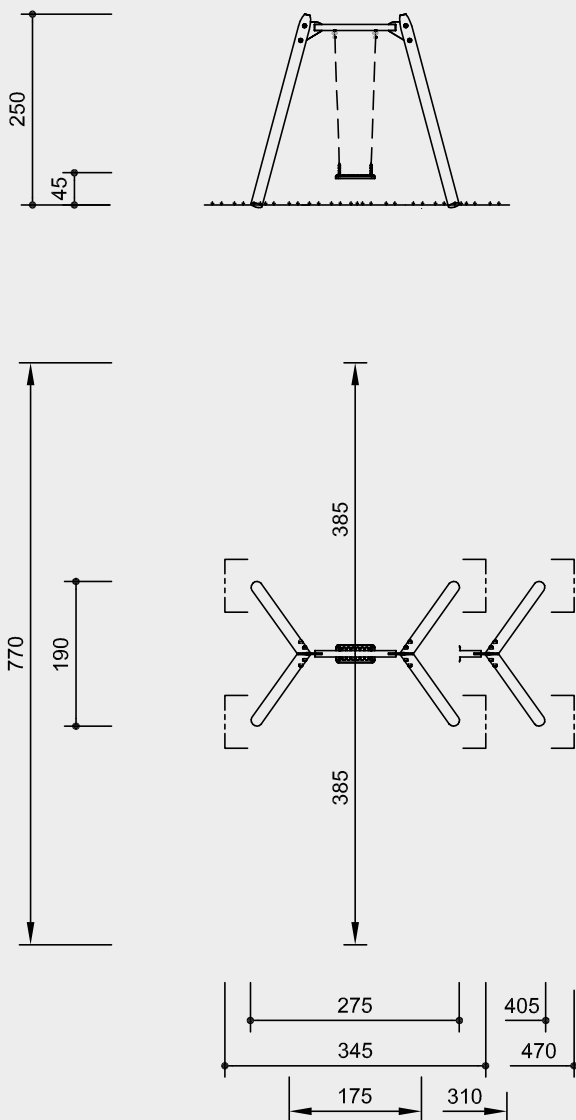
6.12620



6.12820

Order No. 6.12620
Multi-surface Swing special
Order No. 6.12820
Multi-surface Twin Swing special

Safety distance 
 Device dimensions 
 Functional distance 



Scale 1:100

Safety check according to DIN EN 1176

Components

- Order No. 6.12620**
Multi-surface Swing special
 1 Swing frame with steel feet and cross beam made of steel
 1 Rubber seat with Chains

- Order No. 6.12820**
Multi-surface Twin Swing special
 1 Swing frame with steel feet and cross beam made of steel
 2 Rubber seats with Chains

Installation information

Surfacing requirements corresponding to a fall height of ≤ 1.50 m (please refer to price list for more detailed information)

Foundations
Order No. 6.12620
 4 items 60 x 70 x 40 cm
 Excavation depth 60 cm
Order No. 6.12820
 4 items 60 x 70 x 40 cm
 Excavation depth 60 cm

Attention:
Exact measurements may vary;
for all installation dimensions refer to current assembly instructions.
 Technical changes reserved.



6.12620



6.12820

Technical information

Equipment made of mountain larch

Peeled white

Palisades peeled white means that bark, cambium and sapwood are removed, the natural shape of the trunk is preserved and can be experienced



Swing seat

Ergonomically shaped swing seat made of rubber with soft shock absorbing edge. Durable due to strong profiled steel insert



Swing joint

Drop-forged, hot-dip galvanised swing joint with sintered bush and integrated swivel



Profiled washer

Profiled washer for covering protruding screw heads according to standard, improved pressure distribution and protection against water. Impedes loosening the bolt



Interlocking

Interlocking connection, with milled metal rings or serrated disc dowels, to reinforce the bolt connection under high loads transverse to the grain direction of the wood



Sintered bush

For all reciprocating movements we use sintered plain bearings which are self-lubricating in use and can easily be exchanged if necessary



Ground anchor

All parts used for anchoring to the ground are made of hot-dip galvanised steel or stainless steel



Cross beam made of steel

Swing cross beam made of hot-dip galvanised steel. Optimized swing geometry with rigid corner connections, thus allowing for smaller foundations and easier foundation covering



Chains

Chains made of hot-dip galvanized steel (1.4301 / 1.4571 at extra charge) welded before galvanising, short-linked, without eyelets on the connecting parts, easy to exchange and shorten



For more detailed explanation of the quality characteristics see price list.

Dimensions

(small deviations possible)

Order No. 6.12620
Multi-surface Swing special
 Height 2.55 m
 Vertical clearance 2.35 m
 Width 2.75 m
 Depth 1.90 m
 Weight 200 kg

Order No. 6.12820
Multi-surface Twin Swing special
 Height 2.55 m
 Vertical clearance 2.35 m
 Width 4.05 m
 Depth 1.90 m
 Weight 220 kg

Play value

This swing is higher than the Multi-surface Swing and also available with metal cross beam. A playground is not complete without a swing. Children need the possibility of swinging during their development. Swinging to and fro is a basic movement and is fun not only for children. Swinging has a comforting effect, removes tensions and provides pleasure, particularly if swinging is possible side by side.



Photo © Daniel Perales



Order No. 6.14020 High Twin Swing special, Photo © Daniel Perales

Fundamental characteristics

- High-quality design
- Special equipment height
- Incentive for playing: swing suspension
- Movement: swinging, jumping off

Recommended for

- School children
- Young people
- Swimming pools without supervision, such as outdoor pools, adventure pools or similar
- Supervised play areas, such as kindergartens, schools, after-school programmes or similar
- Public play areas without supervision, such as playgrounds, parks or similar

**High Swing special
High Twin Swing special**



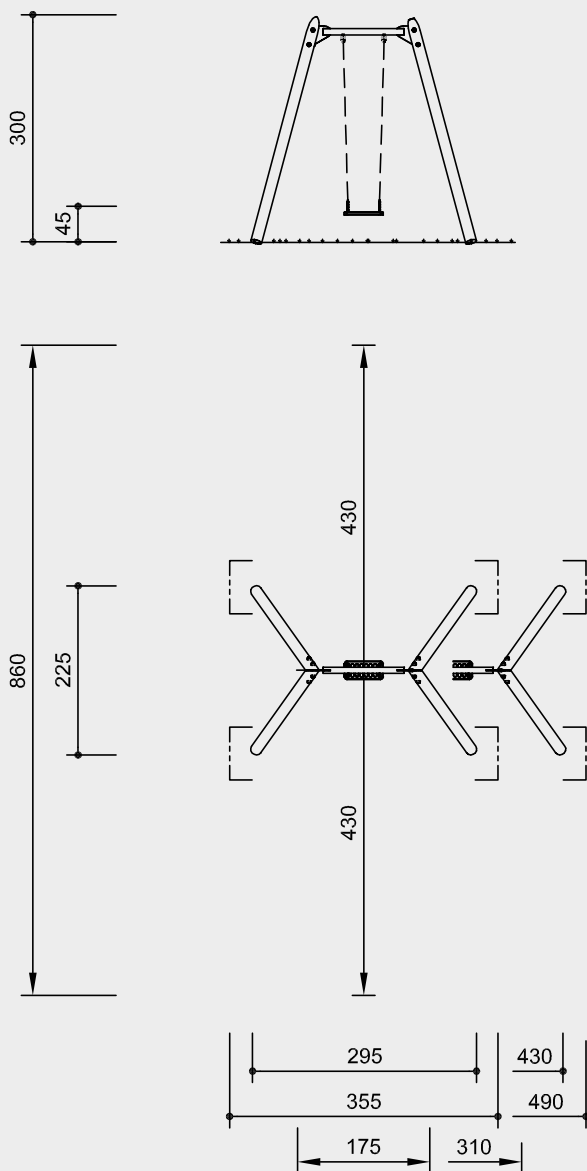
6.13020



6.14020

Order No. 6.13020
High Swing special
Order No. 6.14020
High Twin Swing special

Safety distance 
 Device dimensions 
 Functional distance 



Safety check according to DIN EN 1176

Components

Order No. 6.13020
High Swing special

- 1 Swing frame with steel feet and crossbeam made of steel
- 1 Rubber seat with Chains

Order No. 6.14020
High Twin Swing special

- 1 Swing frame with steel feet and crossbeam made of steel
- 2 Rubber seats with Chains

Installation information

Surfacing requirements corresponding to a fall height of ≤ 2.00 m (please refer to price list for more detailed information)

Foundations

Order No. 6.13020
High Swing special

4 Items 60 x 70 x 40 cm
 Excavation depth 60 cm

Order No. 6.14020
High Twin Swing special

4 Items 60 x 70 x 40 cm
 Excavation depth 60 cm

Attention:
Exact measurements may vary;
for all installation dimensions refer
to current assembly instructions.
 Technical changes reserved.



6.13020



6.14020

Technical information

Equipment made of non-impregnated mountain larch

Peeled white

Palisades peeled white means that bark, cambium and sapwood are removed, the natural shape of the trunk is preserved and can be experienced



Swing seat

Ergonomically shaped swing seat made of rubber with soft shock absorbing edge. Durable due to strong profiled steel insert



Swing joint

Drop-forged, hot-dip galvanised swing joint with sintered bush and integrated swivel



Profiled washer

Profiled washer for covering protruding screw heads according to standard, improved pressure distribution and protection against water. Impedes loosening the bolt



Interlocking

Interlocking connection, with milled metal rings or serrated disc dowels, to reinforce the bolt connection under high loads transverse to the grain direction of the wood



Sintered bush

For all reciprocating movements we use sintered plain bearings which are self-lubricating in use and can easily be exchanged if necessary



Ground anchor

All parts used for anchoring to the ground are made of hot-dip galvanised steel or stainless steel



Cross beam made of steel

Swing cross beam made of hot-dip galvanised steel. Optimized swing geometry with rigid corner connections, thus allowing for smaller foundations and easier foundation covering



Chains

Chains made of hot-dip galvanized steel (1.4301 / 1.4571 at extra charge) welded before galvanising, short-linked, without eyelets on the connecting parts, easy to exchange and shorten



For more detailed explanation of the quality characteristics see price list.

Dimensions

(small deviations possible)

Order No. 6.13020
High Swing special

Height	3.00 m
Vertical clearance	2.80 m
Length	2.95 m
Width	2.25 m
Weight	240 kg

Order No. 6.14020
High Twin Swing special

Height	3.00 m
Vertical clearance	2.80 m
Length	4.30 m
Width	2.25 m
Weight	270 kg



Special colour, Photo © Anton Donikov

Play value

Swinging and rocking are typical movements in the childhood. Children are looking for possibilities to experience this swinging movement. Lying in the Cradle Nest is even more pleasant when a friendly co-player sets the swing into motion from outside. It is special fun if there are several "chicks" in the nest. Our special version with a cross beam made of steel contributes to the stability of our construction and gives the cradle nest a strong expression.

Fundamental characteristics

- Emotionally appealing design
- Sturdy construction of round poles
- Incentive for playing: lying oneself in a nest
- Movement: swaying, rocking, swinging



Special colour, Photo © Paul Upward



Special colour, Photo © Ayumi Nakanishi



Special colour, Photo © Ayumi Nakanishi

Cradle Nest special

Recommended for

- School children
- Supervised play areas, such as schools, after-school programmes or similar
- Public play areas without supervision, such as playgrounds, parks or similar


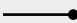
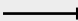
Barrier-free

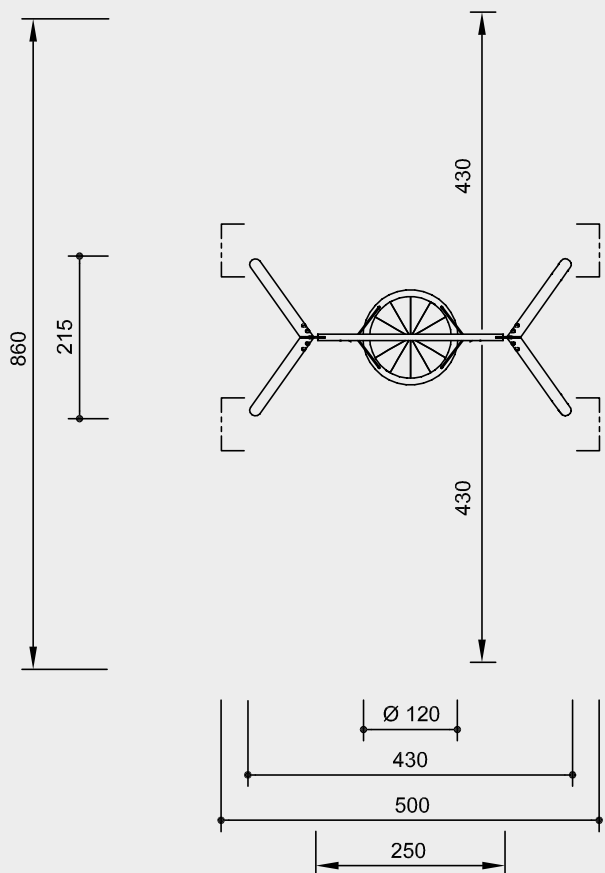
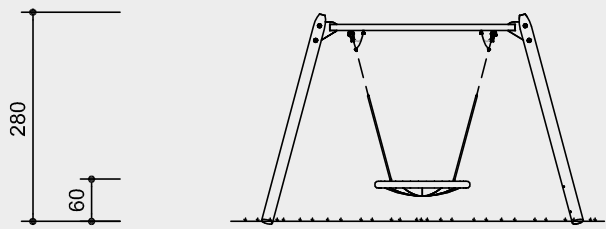
- Together with a carer



6.14520

Order No. 6.14520
Cradle Nest special

Safety distance 
Device dimensions 
Functional distance 



Scale 1:100

Safety check according to DIN EN 1176

Components

- 1 Swing frame with steel feet and cross beam made of steel
- 1 Stork nest suspended on ropes and chains

Installation information

Surfacing requirements corresponding to a fall height of ≤ 1.50 m (please refer to price list for more detailed information)

foundations
4 items 60 x 70 x 60 cm
Excavation depth 80 cm

Attention:
Exact measurements may vary;
for all installation dimensions refer to current assembly instructions.
Technical changes reserved.

Technical information

Equipment made of non-impregnated mountain larch

Peeled white

Palisades peeled white means that bark, cambium and sapwood are removed, the natural shape of the trunk is preserved and can be experienced



Universal joint

Drop-forged, hot-dip galvanised universal joint, consists of two sintered bushes, for free swinging in any direction



Profiled washer

Profiled washer for covering protruding screw heads according to standard, improved pressure distribution and protection against water. Impedes loosening the bolt



Interlocking

Interlocking connection, with milled metal rings or serrated disc dowels, to reinforce the bolt connection under high loads transverse to the grain direction of the wood



Sintered bush

For all reciprocating movements we use sintered plain bearings which are self-lubricating in use and can easily be exchanged if necessary



Ground anchor

All parts used for anchoring to the ground are made of hot-dip galvanised steel or stainless steel



Cross beam made of steel

Swing cross beam made of hot-dip galvanized steel. Optimized swing geometry with rigid corner connections, thus allowing for smaller foundations and easier foundation covering



Stainless Chains

Chains made of steel with high corrosion resistance. Short-linked, without eyelets on the connecting parts, easily replaceable and simple shortening



For more detailed explanation of the quality characteristics see price list.

Stork nest Ø 120 cm with olive green rope ring (PPM), net seat and suspension rope black Ø 16 mm (polyester)

Suspended on Ø 7 mm stainless steel chains

Dimensions

(small deviations possible)

Height	2.80 m
Vertical clearance	2.60 m
Length	4.30 m
Width	2.15 m
Weight	280 kg



6.14520



Special colour, Photo © Paul Upward

Play value

Swinging and rocking are typical movements in the childhood. Children are looking for possibilities to experience this swinging movement. Lying in the Cradle Nest is even more pleasant when a friendly co-player sets the swing into motion from outside. It is special fun if there are several "chicks" in the nest. Our special version with a cross beam made of steel contributes to the stability of our construction and gives a strong expression.

Fundamental characteristics

- Emotionally appealing design
- Sturdy construction of round poles
- Incentive for playing: lying oneself in a nest
- Movement: swaying, rocking, swinging

Recommended for

- Kindergarten children
- Supervised play areas, such as kindergartens, schools, after-school programmes or similar
- Public play areas without supervision, such as playgrounds, parks or similar

Barrier-free

- Special exercise experience
- Together with a carer




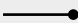
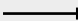
Special colour, Photo © Tristan Filippone

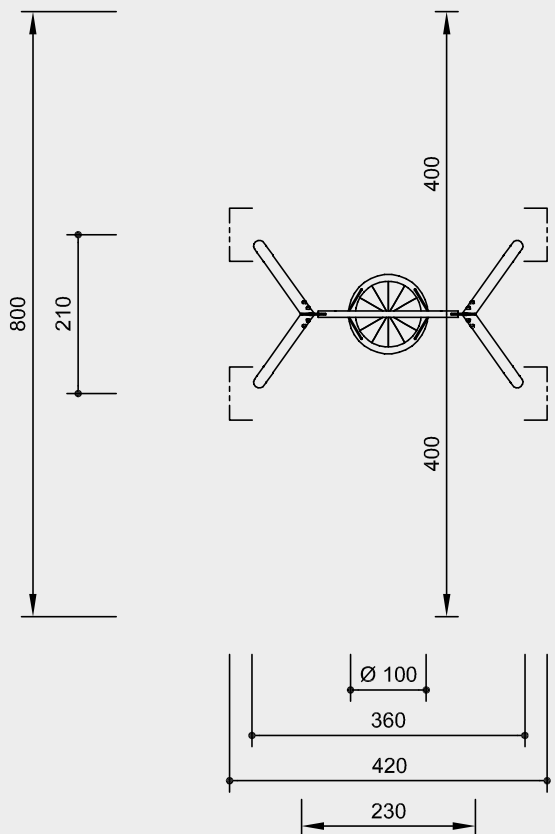
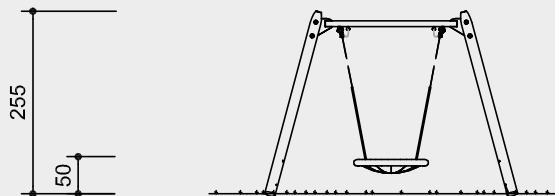
Swallow's Cradle Nest special



6.14720

Order No. 6.14720
Swallow's Cradle Nest special

Safety distance 
 Device dimensions 
 Functional distance 



Scale 1:100

Safety check according to DIN EN 1176

Components

- 1 Swing frame with steel feet and cross beam made of steel
- 1 Swallow's nest suspended on ropes and chains

Installation information

Surfacing requirements corresponding to a fall height of ≤ 1.50 m (please refer to price list for more detailed information)

Foundations
 4 items 60 x 70 x 60 cm
 Excavation depth 80 cm

Attention!
Exact measurements may vary;
for all installation dimensions refer to current assembly instructions.
 Technical changes reserved.

Technical information

Equipment made of non-impregnated mountain larch

Peeled white

Palisades peeled white means that bark, cambium and sapwood are removed, the natural shape of the trunk is preserved and can be experienced



Universal joint

Drop-forged, hot-dip galvanised universal joint, consists of two sintered bushes, for free swinging in any direction



Profiled washer

Profiled washer for covering protruding screw heads according to standard, improved pressure distribution and protection against water. Impedes loosening the bolt



Interlocking

Interlocking connection, with milled metal rings or serrated disc dowels, to reinforce the bolt connection under high loads transverse to the grain direction of the wood



Sintered bush

For all reciprocating movements we use sintered plain bearings which are self-lubricating in use and can easily be exchanged if necessary



Ground anchor

All parts used for anchoring to the ground are made of hot-dip galvanised steel or stainless steel



Cross beam made of steel

Swing cross beam made of hot-dip galvanized steel. Optimized swing geometry with rigid corner connections, thus allowing for smaller foundations and easier foundation covering



Stainless Chains

Chains made of steel with high corrosion resistance. Short-linked, without eyelets on the connecting parts, easily replaceable and simple shortening



For more detailed explanation of the quality characteristics see price list.

Swallow's nest \varnothing 100 cm with olive green rope ring (PPM), net seat and suspension rope black \varnothing 16 mm (polyester)

Suspended on \varnothing 7 mm stainless steel chains

Dimensions

(small deviations possible)

Height	2.55 m
Vertical clearance	2.40 m
Length	3.60 m
Width	2.10 m
Weight	240 kg



6.14720



Play value

The Hexagonal Swing provides a high degree of communication in addition to the joy of swinging and swaying. The participants can swing towards each other and watch each other or even touch each other's feet. Jumping off is not possible due to the vertically mounted tyres.

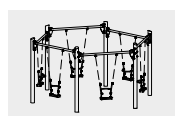
Fundamental characteristics

- Interesting wooden construction by naturally shaped posts
- Different heights of opposite swings enable soft contact between the participants
- Incentive for playing: coordination, communication
- Movement: swinging

Recommended for

- School children
- Young people
- Supervised play areas, such as kindergartens, schools, after school programmes or similar
- Public play areas without supervision, such as playgrounds, parks or similar

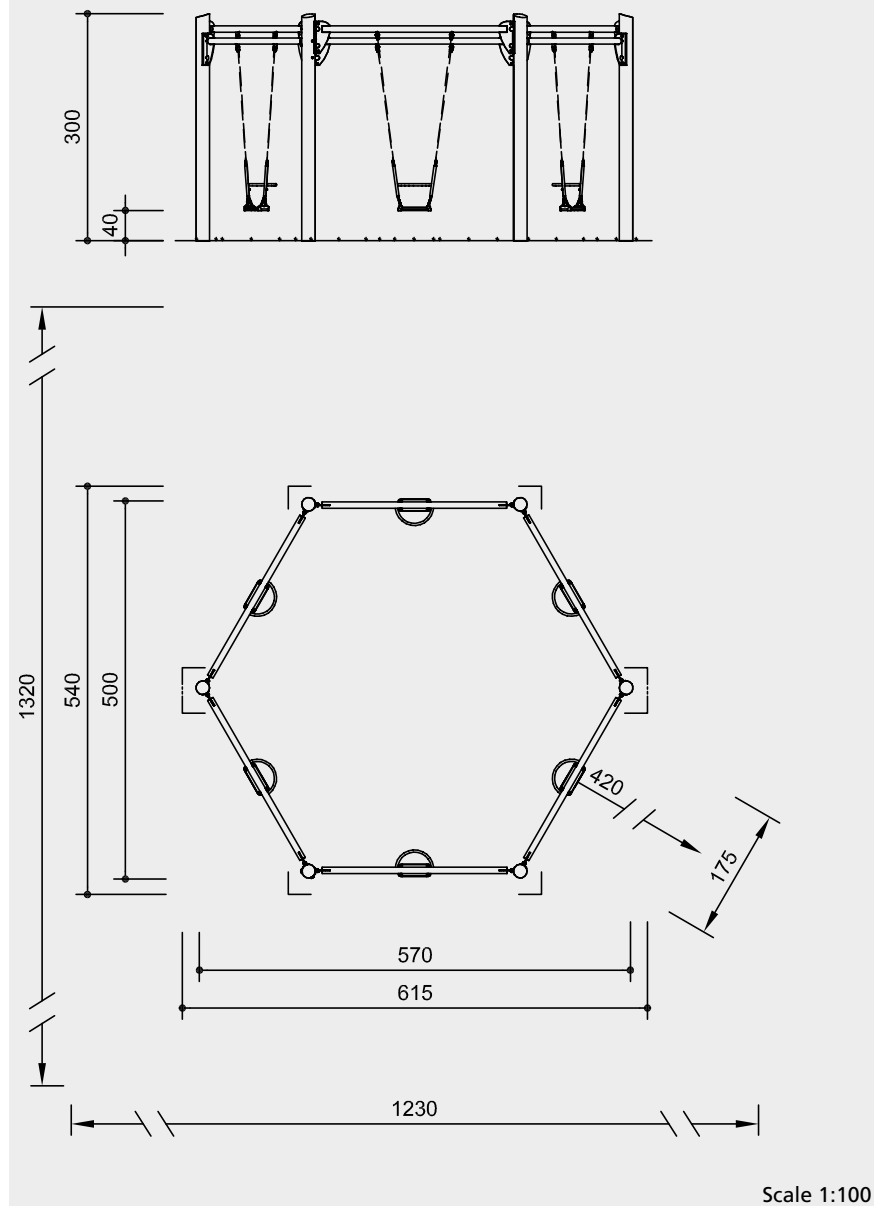
Hexagonal Swing special



6.17020

Order No. 6.17020
Hexagonal Swing special

Safety distance →
 Device dimensions ●
 Functional distance —



Safety check according to DIN EN 1176

Components

- 1 Hexagonal swing frame with steel feet and cross beams made of steel
- 6 Rubber swing seats with steel insert with safety bar to prevent jumping off

Installation information

Surfacing requirements corresponding to a fall height of ≤ 2.00 m (for more detailed information see price list)

Foundations
 6 items 60 x 60 x 60 cm
 excavation depth 80 cm

Attention:
Exact measurements may vary, for all installation dimensions refer to current installation instructions.
 Technical changes reserved.



6.17020

Technical information

Equipment made of non-impregnated mountain larch

Peeled white

Palisades peeled white means that bark, cambium and sapwood are removed, the natural shape of the trunk is preserved and can be experienced



Bevel cut

Vertical stand posts with bevelled end grain section as constructive wood preservation measure



Swing seat

Ergonomically shaped swing seat made of rubber with soft shock absorbing edge. Durable due to strong profiled steel insert



Swing joint

Drop-forged, hot-dip galvanised swing joint with sintered bush and integrated swivel



Profiled washer

Profiled washer for covering protruding screw heads according to standard, improved pressure distribution and protection against water. Impedes loosening the bolt



Interlocking

Interlocking connection, with milled metal rings or serrated disc dowels, to reinforce the bolt connection under high loads transverse to the grain direction of the wood



Sintered bush

For all reciprocating movements we use sintered plain bearings which are self-lubricating in use and can easily be exchanged if necessary



Ground anchor

All parts used for anchoring to the ground are made of hot-dip galvanised steel or stainless steel



Cross beam made of steel

Swing cross beam made of hot-dip galvanized steel. Optimized swing geometry with rigid corner connections, thus allowing for smaller foundations and easier foundation covering



Chains

Chains made of hot-dip galvanized steel (1.4301 / 1.4571 at extra charge) welded before galvanising, short-linked, without eyelets on the connecting parts, easy to exchange and shorten



For more detailed explanation of the quality characteristics see price list.

Dimensions

(small deviations possible)

Height	3.00 m
Vertical clearance	2.60 / 2.75 m
Length	5.70 m
Width	5.00 m
Weight	700 kg

Play value

The swinging platform is covered with a tyre-like element and is attached to a universal joint, with additional ball-bearings to create rotary motion. This piece of equipment is not only for the fun of jumping on and off and swinging together - it also serves as an incentive for children to get to know each other and to learn how to get on with one another. As the chains are shorter in this equipment than in the Tractor Tyre Swing, less strength is required so that younger children can also play with it.

Fundamental characteristics

- One-point suspension allows for a multitude of different movements
- Incentive for playing: cantilever arm with chain suspension
- Movement: swinging, swaying, turning, jumping on and off, physical effort

Recommended for

- School children
- Supervised play areas, such as schools, after school programmes or similar
- Public play areas without supervision, such as playgrounds, parks or similar
- Swimming pools without supervision, such as outdoor pools, adventure pools or similar



Car Tyre Swing



6.18460

Play value

Swings are a basic element for every play world and are highly attractive to people. Rocking and swinging movements have a soothing effect; they release tension and give pleasure. Our Wheelchair Swing takes into account the special needs of those with restricted mobility yet is able to offer the opportunity to experience swinging. Ground-level access to the swing is possible via a ramp. After securely positioning the wheelchair in the gondola, the carer can exit via the rear through a lockable opening.



© Richter Spielgeräte GmbH 06/22

Design G. Beltzig

A bar to fix the wheelchair in place as well one serving as a parking brake combined with level compensation guarantee an enjoyable swinging experience. The matching Wooden Structure, which is essential for using the equipment, consists of an access ramp, a turning area and a platform adjusted to the swinging radius.

Fundamental characteristics

- Installation only permitted in a supervised area
- May only be used together with a carer
- Gondola can only be activated by the carer
- Incentive for playing: rocking, swinging

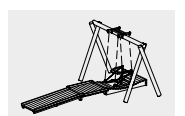
Recommended for

- School children
- Young people
- Adults
- Older people
- Only suitable for supervised play areas

Barrier-free

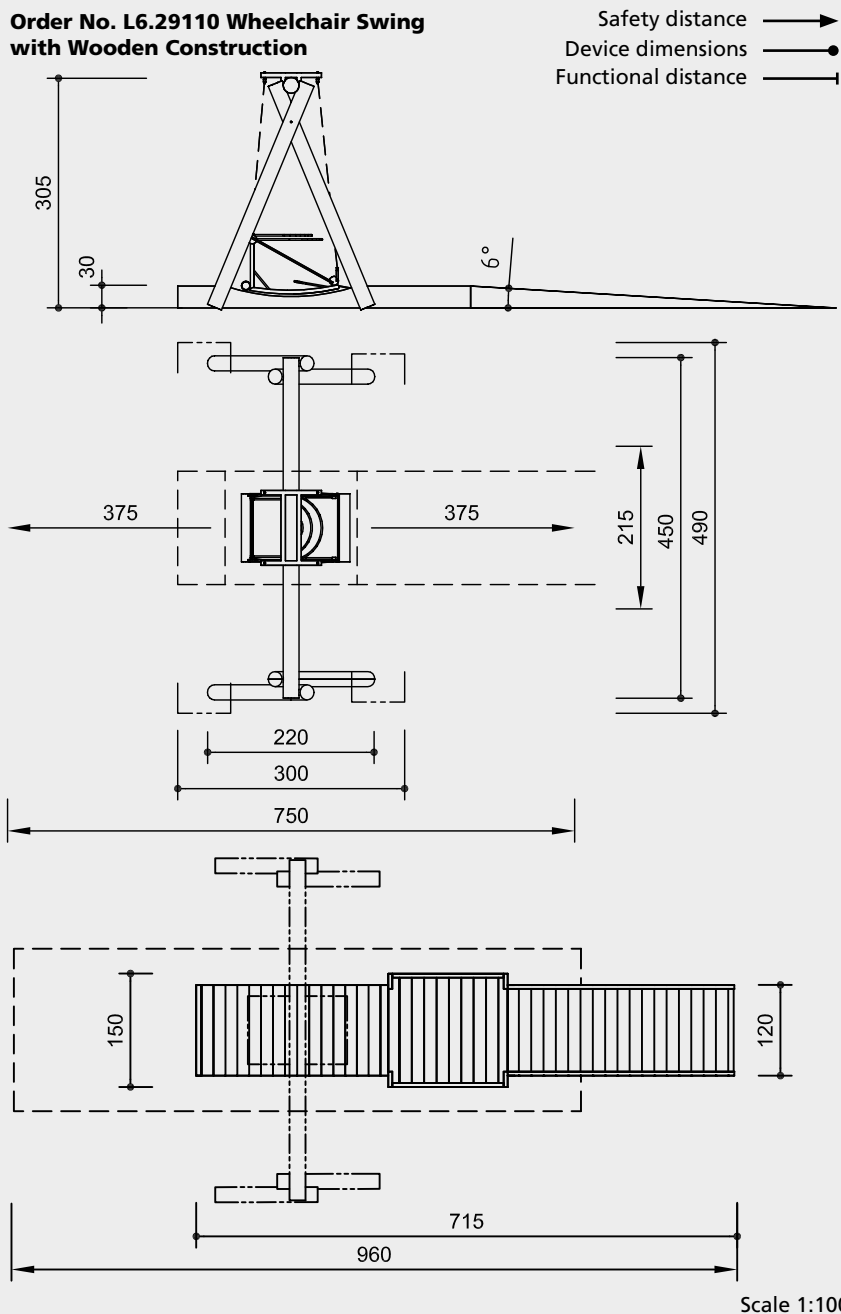
- Special exercise experience
- With a carer

Wheelchair Swing with Wooden Construction



L6.29110

Order No. L6.29110 Wheelchair Swing with Wooden Construction



Scale 1:100

Safety check according to DIN EN 1176

Components

- 1 Swing frame with crossbeam made of steel and with steel feet
- 1 Gondola with chains
- 1 Wave-shaped component with steel feet
- 1 Intermediate platform with steel feet
- 1 Ramp with steel feet

Installation information

Surfacing requirements as for critical fall height of ≤ 1.00 m, accessible with wheelchairs (please refer to price list for more detailed information)

Foundations
 4 items 60 x 70 x 60 cm
 Excavation depth 80 cm
 12 items 40 x 40 x 40 cm
 Excavation depth 60 cm

Attention:
Exact measurements may vary; for all installation dimensions refer to current assembly instructions.
 Technical changes reserved.



L6.29110

Technical information

Equipment made of mountain larch

Peeled white

Palisades peeled white means that bark, cambium and sapwood are removed, the natural shape of the trunk is preserved and can be experienced



Core-free

Sawn-timbers core-free, thus decreasing occurrences of cracking and undesired changes in shape



Tongue and groove

Tongue and groove planks made of 4 cm solid wood, highly resilient, no trickling of dust / sand, protection against direct rain



Swing joint

Drop-forged, hot-dip galvanised swing joint with sintered bush and integrated swivel



Profiled washer

Profiled washer for covering protruding screw heads according to standard, improved pressure distribution and protection against water. Impedes loosening the bolt



Adjustable

Adjustable two-piece bolt connection, easy to maintain, no projecting threads



Interlocking

Interlocking connection, with milled metal rings or serrated disc dowels, to reinforce the bolt connection under high loads transverse to the grain direction of the wood



Sintered bush

For all reciprocating movements we use sintered plain bearings which are self-lubricating in use and can easily be exchanged if necessary



Ground anchor

All parts used for anchoring to the ground are made of hot-dip galvanised steel or stainless steel



Chains

Chains made of hot-dip galvanized steel (1.4301 / 1.4571 at extra charge) welded before galvanising, short-linked, without eyelets on the connecting parts, easy to exchange and shorten



For more detailed explanation of the quality characteristics see price list.

Swing gondola made of stainless steel, glass-bead blasted

Dimensions

(small deviations possible)

Swing	
Height	3.05 m
Length	4.50 m
Width	2.20 m
Weight	505 kg
Wooden construction	
Height	0.30 m
Length	7.15 m
Width	1.50 m
Weight	825 kg



Special version with square timber

Play value

Children need the possibility of swinging during their development. Swinging to and fro is a basic movement and is fun not only for children. Swinging has a comforting effect, removes tensions and provides pleasure, particularly if swinging is possible side by side.



Special version with square timber

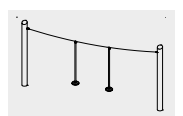
Twin Pendulum

Fundamental characteristics

- Unique and original
- Pendulum tyres on holding poles
- Incentive for playing: swing suspension
- Movement: swinging, swaying

Recommended for

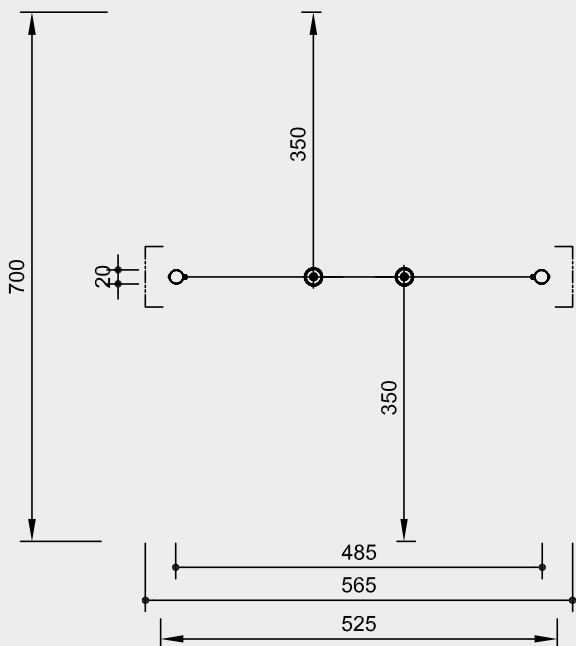
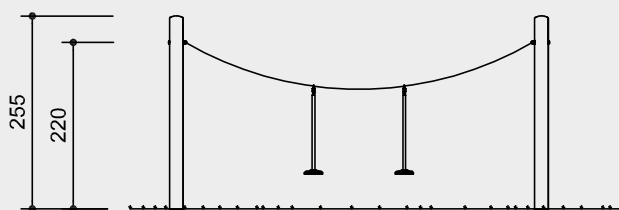
- Kindergarten children
- School children
- Supervised play areas, such as kindergartens, schools, after-school programmes or similar
- Public play areas without supervision, such as playgrounds, parks or similar



L6.42000

Order No. L6.42000
Twin Pendulum

Safety distance 
Device dimensions 
Functional distance 



Scale 1:100

Safety check according to DIN EN 1176 and "safety in another way"

Components

- 2 Support posts with steel feet
- 1 Rope with 2 pendulum seats

Installation information

Surfacing requirements corresponding to a fall height of ≤ 1.50 m (please refer to price list for more detailed information)

Foundations
2 items 80 x 80 x 60 cm
Excavation depth 80 cm

Attention:
Exact measurements may vary, for all installation dimensions refer to current installation instructions.
Technical changes reserved.

Technical information

Equipment made of non-impregnated mountain larch

Peeled white

Palisades peeled white means that bark, cambium and sapwood are removed, the natural shape of the trunk is preserved and can be experienced



Bevel cut

Vertical stand posts with bevelled end grain section as constructive wood preservation measure



Pendulum seat

Pendulum seat with a large rubber surface. Soft, protective edge and steel insert



Richter Hercules type rope

Richter Hercules type rope, a combination of galvanised six-strand steel cables and polyester yarn, diameter > 20 mm, laid and glued with very good abrasion resistance, strong sheathing even in the case of damage by puncturing



Aluminium rope pressing

Aluminium rope pressing, cylindrically pressed, with rounded ends



S-connectors

S-connectors $\varnothing 8.1$ mm, made of high-quality stainless steel, rounded



Universal joint

Drop-forged, hot-dip galvanised universal joint, consists of two sintered bushes, for free swinging in any direction



Sintered bush

For all reciprocating movements we use sintered plain bearings which are self-lubricating in use and can easily be exchanged if necessary



Ground anchor

All parts used for anchoring to the ground are made of hot-dip galvanised steel or stainless steel



Chains

Chains made of hot-dip galvanized steel (1.4301 / 1.4571 at extra charge) welded before galvanising, short-linked, without eyelets on the connecting parts, easy to exchange and shorten



For more detailed explanation of the quality characteristics see price list.

Pendulum seat suspended on sleeved chain

Dimensions

(small deviations possible)

Height	2.55 m
Width	4.85 m
Length	7.00 m
Weight	160 kg



L6.42000

Play value

This friendly swing equipment is especially fun for two. Children can swing each other and talk in relaxed pose, almost like in a hammock. More energetic swinging is also possible however, and the unusual lying posture when swinging, increases the pleasure. Thanks to additional transverse webs made from rope, the Double Hammock Seat is also suitable for use in nursery schools. The Quadro Hammock Seat is an amusing alternative offering the possibility of additional play opportunities.



Order No. L6.43000 / L6.43100 Double Hammock Seat



Order No. L6.43000 / L6.43100 Double Hammock Seat



Order No. L6.43000 / L6.43100 Double Hammock Seat

Fundamental characteristics

- Unique and original
- By the special geometry, furious swinging is not possible
- Incentive for playing: relaxed position
- Movement: swaying, swinging

Recommended for

- Kindergarten children
- School children
- Supervised play areas, such as kindergartens, schools, after-school programmes or similar
- Public play areas without supervision, such as playgrounds, parks or similar

**Double Hammock Seat
Quadro Hammock Seat**

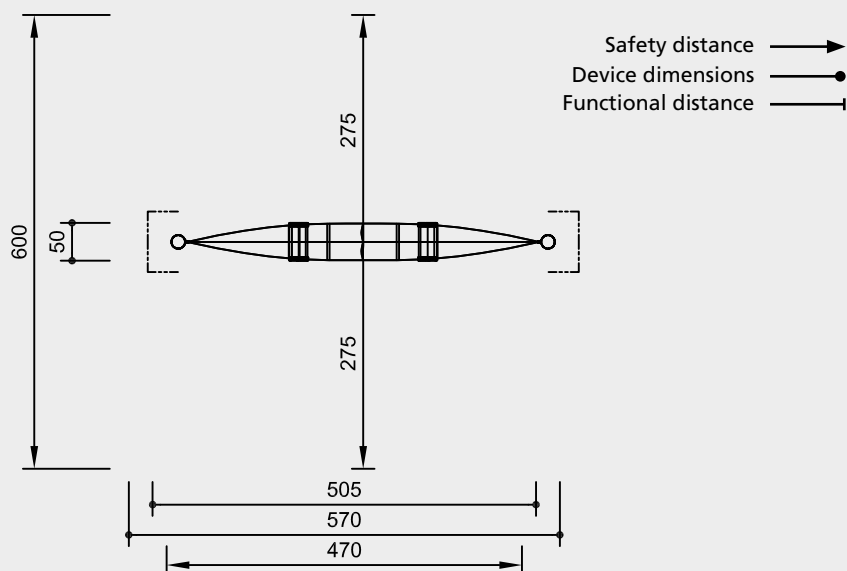


L6.43000 / L6.43100

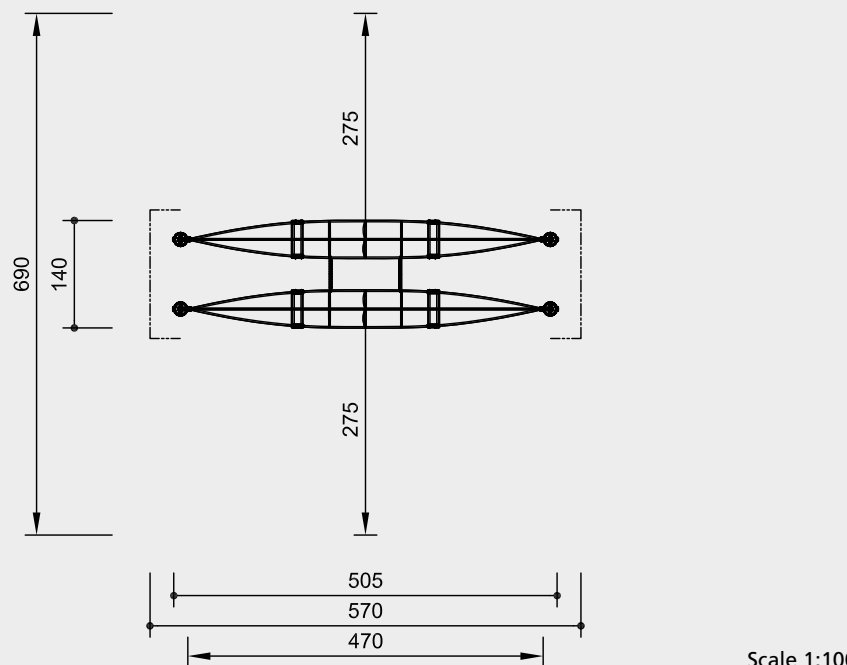


L6.43500 / L6.43600

Order No. L6.43000 / L6.43100 Double Hammock Seat



Order No. L6.43500 / L6.43600 Quadro Hammock Seat



Scale 1:100

Safety check according to DIN EN 1176

Components

Order No. L6.43000 / L6.43100 Double Hammock Seat

- 2 Support posts with steel feet
- 1 Rope structure with 2 integrated swing seats
 (Order No. L6.43100 with smaller mesh size, suited for smaller children)

Order No. L6.43500 / L6.43600 Quadro Hammock Seat

- 4 Support posts with steel feet
- 2 Connected rope structures with each two integrated swing seats
 (Order No. L6.43600 with smaller mesh size, suited for smaller children)

Installation information

Surfacing requirements corresponding to a fall height of ≤ 1.00 m (please refer to price list for more detailed information)

Foundations

Order No. L6.43000 / L6.43100 Double Hammock Seat

2 items 80 x 80 x 60 cm
 Excavation depth 80 cm

Order No. L6.43500 / L6.43600 Quadro Hammock Seat

2 items 80 x 170 x 60 cm
 Excavation depth 80 cm

Attention:
 Exact measurements may vary, for all installation dimensions refer to current installation instructions.
 Technical changes reserved.



L6.43000 / L6.43100



L6.43500 / L6.43600

Technical information

Equipment made of mountain larch

Peeled white

Palisades peeled white means that bark, cambium and sapwood are removed, the natural shape of the trunk is preserved and can be experienced



Bevel cut

Vertical stand posts with bevelled end grain section as constructive wood preservation measure



Swing seat

Ergonomically shaped swing seat made of rubber with soft shock absorbing edge. Durable due to strong profiled steel insert



Richter Hercules type rope

Richter Hercules type rope, a combination of galvanised six-strand steel cables and polyester yarn, diameter > 20 mm, laid and glued with very good abrasion resistance, strong sheathing even in the case of damage by puncturing



Aluminium rope pressing

Aluminium rope pressing, cylindrically pressed, with rounded ends



S-connectors

S-connectors Ø 8.1 mm, made of high-quality stainless steel, rounded



Universal joint

Drop-forged, hot-dip galvanised universal joint, consists of two sintered bushes, for free swinging in any direction



Adjustable

Adjustable two-piece bolt connection, easy to maintain, no projecting threads



Sintered bush

For all reciprocating movements we use sintered plain bearings which are self-lubricating in use and can easily be exchanged if necessary



Ground anchor

All parts used for anchoring to the ground are made of hot-dip galvanised steel or stainless steel



Stainless Chains

Chains made of steel with high corrosion resistance. Short-linked, without eyelets on the connecting parts, easily replaceable and simple shortening



For more detailed explanation of the quality characteristics see price list.

Dimensions

(small deviations possible)

Order No. L6.43000 / L6.43100 Double Hammock Seat

Height	2.35 m
Length	5.05 m
Width	0.50 m
Weight	145 kg

Order No. L6.43500 / L6.43600 Quadro Hammock Seat

Height	2.35 m
Length	5.05 m
Width	1.40 m
Weight	300 kg

Play value

Our Hammock appeals to young and old alike. Swinging and rocking are connected to the experiences of human beings in many different ways. Children in particular are looking for possibilities to enjoy swinging movement. Lying in the Hammock is even more pleasant when a friendly co-player sets the swing into motion from outside. It is special fun if there are several children in the hammock. Moreover, it is suitable for cross-generational "adventures".



Standard colour of ropes red



Photo © Lucia Bartl

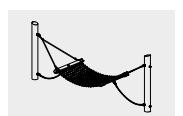
Hammock

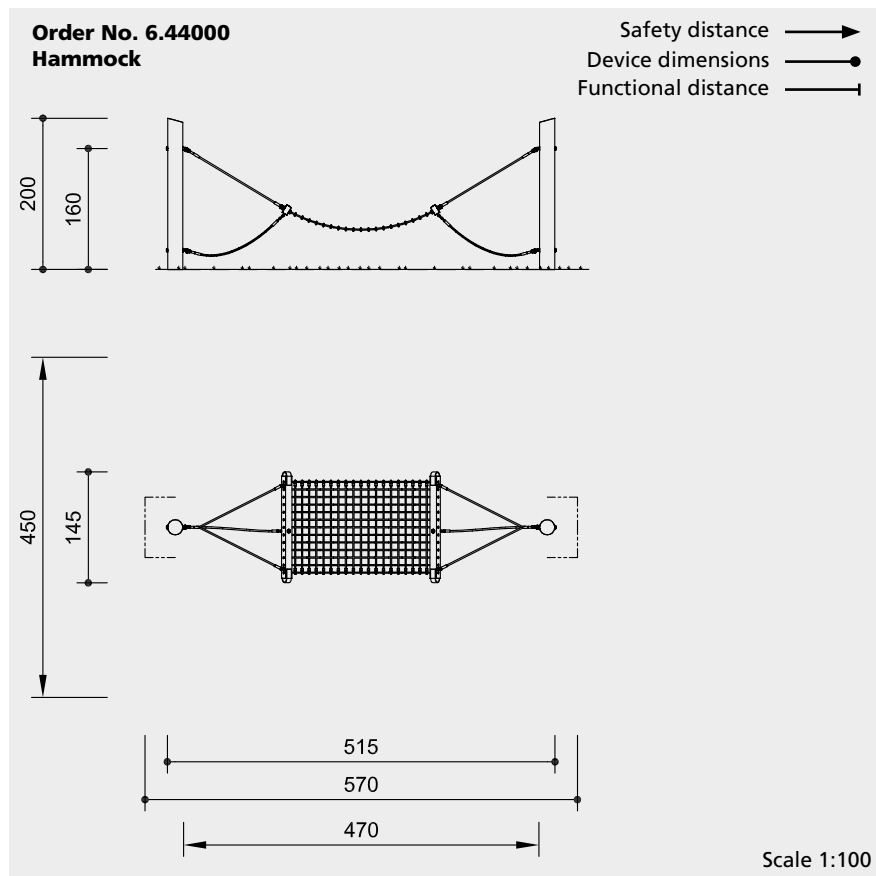
Fundamental characteristics

- Unique and original
- Incentive for playing: chance to lie down
- Movement: swaying, rocking

Recommended for

- Kindergarten children
- School children
- Supervised play areas, such as kindergartens, schools, after-school programmes or similar
- Public play areas without supervision, such as playgrounds, parks or similar





Safety check according to DIN EN 1176

Components

- 2 Stand posts with steel feet
- 1 Hammock with deflection limitation

Installation information

Surfacing requirements corresponding to a fall height of ≤ 1.50 m (please refer to price list for more detailed information)

Foundations
2 items 80 x 80 x 60 cm
Excavation depth 80 cm

Attention:
Exact measurements may vary, for all installation dimensions refer to current installation instructions.
Technical changes reserved.

Technical information

Equipment made of non-impregnated mountain larch

Peeled white

Palisades peeled white means that bark, cambium and sapwood are removed, the natural shape of the trunk is preserved and can be experienced



Bevel cut

Vertical stand posts with bevelled end grain section as constructive wood preservation measure



Richter Hercules type rope

Richter Hercules type rope, a combination of galvanised six-strand steel cables and polyester yarn, diameter > 20 mm, laid and glued with very good abrasion resistance, strong sheathing even in the case of damage by puncturing



Hercules rope

Hercules rope, for spliced net connections. A compound of steel rope for the core and polyester or polyamide yarn for the sheath. High abrasion resistance, 4 or 6 strands



Aluminium rope pressing

Aluminium rope pressing, cylindrically pressed, with rounded ends



Universal joint

Drop-forged, hot-dip galvanised universal joint, consists of two sintered bushes, for free swinging in any direction



Profiled washer

Profiled washer for covering protruding screw heads according to standard, improved pressure distribution and protection against water. Impedes loosening the bolt



Adjustable

Adjustable two-piece bolt connection, easy to maintain, no projecting threads



Sintered bush

For all reciprocating movements we use sintered plain bearings which are self-lubricating in use and can easily be exchanged if necessary



Ground anchor

All parts used for anchoring to the ground are made of hot-dip galvanised steel or stainless steel

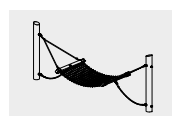


For more detailed explanation of the quality characteristics see price list.

Dimensions

(small deviations possible)

Height	2.00 m
Length	5.15 m
Width	1.45 m
Weight	180 kg



6.44000



Play value

The Tarzan Rope is suspended from a curved, laminated beam. It is not always possible for children and teenagers to fulfill their natural need for exercise in their environment. Therefore, the activities offered by the Tarzan Rope, such as swinging back and forth, moving hand over hand and daringly jumping off, are very popular activities. For reasons of security, this equipment requires special ground modelling. If this is not possible, we recommend the version with the pendulum seat.

Fundamental characteristics

- Curved laminated beam
- Movement: swinging back and forth

Recommended for

- School children
- Young people
- Public play areas without supervision, such as playgrounds, parks or similar
- Swimming pools without supervision, such as outdoor pools, adventure pools or similar
- Leisure parks



Order No. 7.64200 Tarzan Rope

Tarzan Rope
Tarzan Rope with pendulum seat



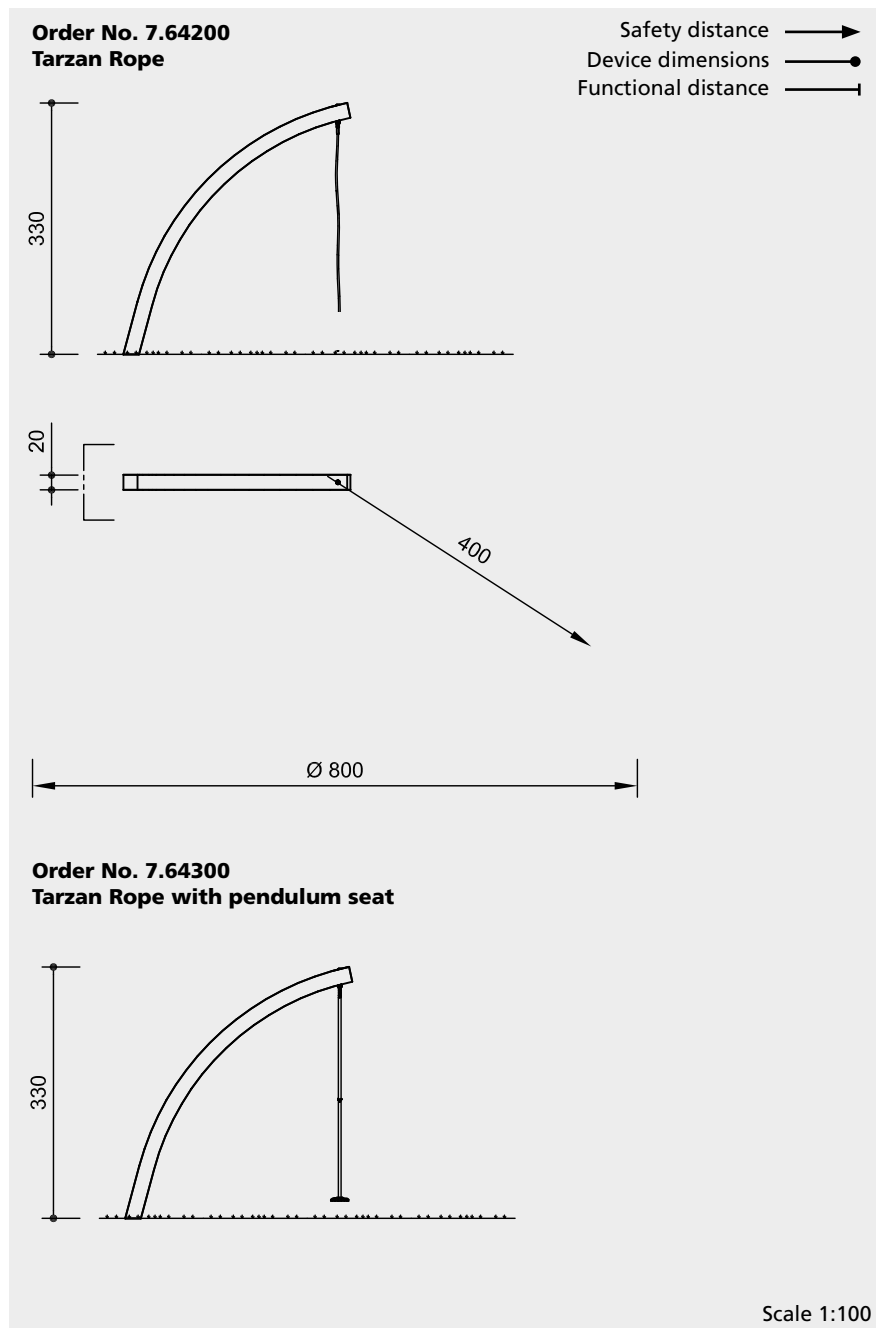
Order No. 7.64300 Tarzan Rope with pendulum seat



7.64200



7.64300



Safety check according to DIN EN 1176

Components

Order No. 7.64200

1 Curved, laminated beam (waterproof) with steel foot and rope

Order No. 7.64300

1 Curved, laminated beam (waterproof) with steel foot and pendulum seat

Installation information

Surfacing requirements corresponding to a fall height of ≤ 2.00 m (please refer to price list for more detailed information)

The height of fall can be reduced with appropriate ground modelling (request assembly instructions).

Foundations

1 item 100 x 100 x 80 cm
Excavation depth 100 cm

Attention:

Exact measurements may vary, for all installation dimensions refer to current installation instructions.

Technical changes reserved.



7.64200



7.64300

Technical information

Equipment made of non-impregnated mountain larch

Laminated wood beams

Laminated wood beams made of non-impregnated larch, glued according to EN 14080:2013; for very large timber cross-sections; comparatively low shrinkage, almost completely free of cracks



Universal joint

Drop-forged, hot-dip galvanised universal joint, consists of two sintered bushes, for free swinging in any direction



Rotating rope connection

Rotatable fitting without dangerous openings, with sintered bush with integrated swivel to ensure the rope untwists



Profiled washer

Profiled washer for covering protruding screw heads according to standard, improved pressure distribution and protection against water. Impedes loosening the bolt



Sintered bush

For all reciprocating movements we use sintered plain bearings which are self-lubricating in use and can easily be exchanged if necessary



Ground anchor

All parts used for anchoring to the ground are made of hot-dip galvanised steel or stainless steel



Order No. 7.64200

Tarzan Rope

Richter Hercules type rope

Richter Hercules type rope, a combination of galvanised six-strand steel cables and polyester yarn, diameter > 20 mm, laid and glued with very good abrasion resistance, strong sheathing even in the case of damage by puncturing



Aluminium rope pressing

Aluminium rope pressing, cylindrically pressed, with rounded ends



Order No. 7.64300

Tarzan Rope with pendulum seat

Pendulum seat

Pendulum seat with a large rubber surface. Soft, protective edge and steel insert



Chains

Chains made of hot-dip galvanized steel (1.4301 / 1.4571 at extra charge) welded before galvanising, short-linked, without eyelets on the connecting parts, easy to exchange and shorten



For more detailed explanation of the quality characteristics see price list.

Dimensions

(small deviations possible)

Height	3.30 m
Beam cross section	20/20 cm
Weight	240 kg

Play value

The six pendulum seats are fastened to a steel ring that is suspended by means of spokes made from ropes so it can freely move and rotate. The Ring Scales are suited for symmetric play arrangements where the children can try to find their balance when there are two, three, four or six of them. Thanks to the fact that the movement of the ring is limited by the „spokes“, the swinging action never stops abruptly. The Ring Scales encourage contact and communication.



The standard colour of ropes blue.

Ring Scales

Fundamental characteristics

- Unique and original
- Spoke ropes of the ring enable smooth rocking
- Thanks to rotating mechanism all kinds of rotating and rocking games possible
- Incentive for playing: ring, suspended ropes
- Movement: swinging, rotating, rocking


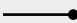
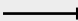
Recommended for

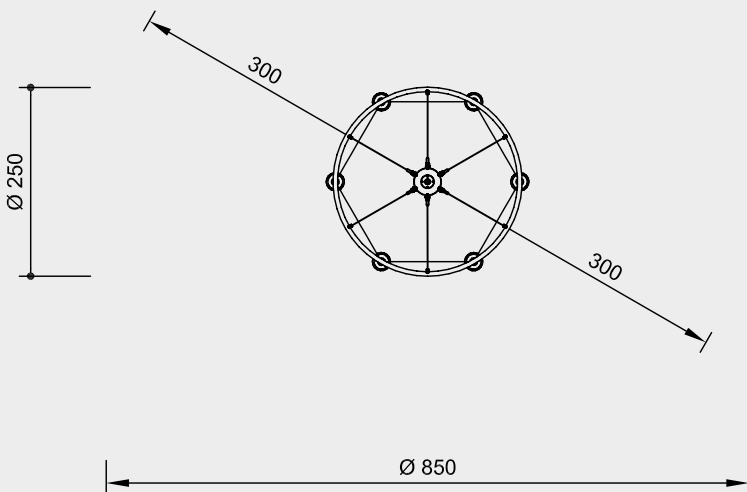
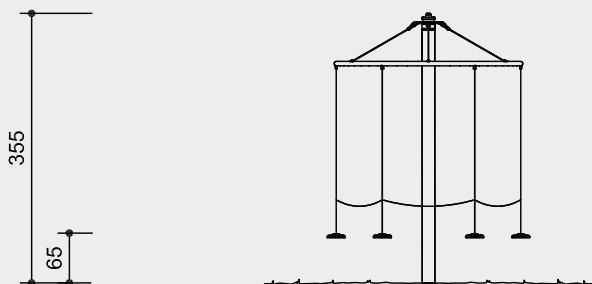
- School children
- Young people
- Public play areas without supervision, such as kindergartens, schools, after-school programmes or similar
- Swimming pools without supervision, such as outdoor pools, adventure pools or similar



6.10300

Order No. 6.10300
Ring Scales

Safety distance 
Device dimensions 
Functional distance 



Scale 1:100

Safety check according to DIN EN 1176

Components

- 1 Mast with mast top and 6 spoke ropes
- 1 Ring with 6 ropes and seats

Installation information

Surfacing requirements corresponding to a fall height of ≤ 1.50 m (please refer to price list for more detailed information)

Foundations
1 item 120 x 120 x 100 cm
Excavation depth 120 cm

Attention:
Exact measurements may vary; for all installation dimensions refer to current assembly instructions.
Technical changes reserved.

Technical information

Total construction made of hot-dip galvanised steel

Pendulum seat

Pendulum seat with a large rubber surface. Soft, protective edge and steel insert



Richter Hercules type rope

Richter Hercules type rope, a combination of galvanised six-strand steel cables and polyester yarn, diameter > 20 mm, laid and glued with very good abrasion resistance, strong sheathing even in the case of damage by puncturing



Aluminium rope pressing

Aluminium rope pressing, cylindrically pressed, with rounded ends



S-connectors

S-connectors $\varnothing 8.1$ mm, made of high-quality stainless steel, rounded



Universal joint

Drop-forged, hot-dip galvanised universal joint, consists of two sintered bushes, for free swinging in any direction



Rotating rope connection

Rotatable fitting without dangerous openings, with sintered bush with integrated swivel to ensure the rope untwists



Sintered bush

For all reciprocating movements we use sintered plain bearings which are self-lubricating in use and can easily be exchanged if necessary



Ground anchor

All parts used for anchoring to the ground are made of hot-dip galvanised steel or stainless steel



Roller bearings

Roller bearings made of stainless steel for rotating elements, easy to maintain and exchange, sealed



For more detailed explanation of the quality characteristics see price list.

Dimensions

(small deviations possible)

Height	3.55 m
Seat height	0.65 m
Diameter	2.50 m
Wall thickness of tubes	
Mast	178 x 5 mm
Ring	60 x 4 mm
Weight	240 kg



6.10300

Play value

The equipment becomes a real whirlwind when the disc turns down after having been wound up by the ropes. The return force is dependent on the winding force. Elder children achieve a considerable effect due to their physical strength, younger children can turn around gently depending on their skills. The most courageous ones can hold on to the metal ring and fly around the mast in carousel fashion. Communication and cooperation deepen the play experience.



Photo © Landplan



Fundamental characteristics

- Unique and original
- A freewheel mechanism with a ratchet-type lock allows the energy generated by the winding motion to be stored and provides great fun when unwinding in the opposite direction.
- Incentive for playing: suspended disc, grip ring
- Movement: physical effort, rotating

Recommended for


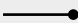
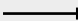
- School children
- Young people
- Public play areas without supervision, such as kindergartens, schools, after-school programmes or similar
- Swimming pools without supervision, such as outdoor pools, adventure pools or similar

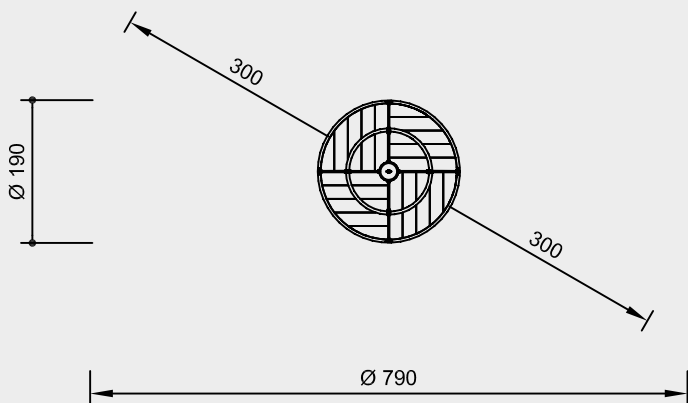
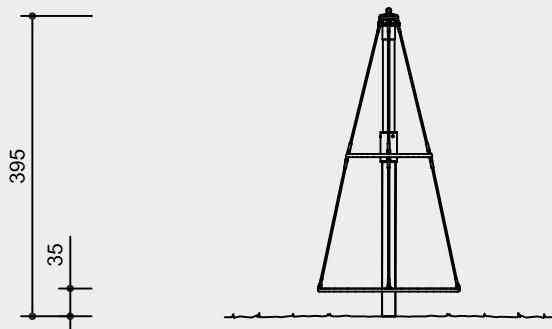
Whirlwind



6.10500

Order No. 6.10500 Whirlwind

Safety distance 
 Device dimensions 
 Functional distance 



Scale 1:100

Safety check according to DIN EN 1176

Components

- 1 Mast with rotating floor and 8 ropes
- 1 Foundation frame

Installation information

Surfacing requirements corresponding to a fall height of ≤ 1.00 m
 Recommendation:
 fall height of ≤ 1.50 m
 (please refer to price list for more detailed information)

Foundations
 1 item 120 x 120 x 50 cm
 Excavation depth 80 cm
 to be steel-reinforced on site (not included)

Attention:
Exact measurements may vary; for all installation dimensions refer to current assembly instructions.
 Technical changes reserved.

Technical information

Total construction made of hot-dip galvanised steel

Core-free

Sawn-timbers core-free, thus decreasing occurrences of cracking and undesired changes in shape



Richter Hercules type rope

Richter Hercules type rope, a combination of galvanised six-strand steel cables and polyester yarn, diameter > 20 mm, laid and glued with very good abrasion resistance, strong sheathing even in the case of damage by puncturing



Aluminium rope pressing

Aluminium rope pressing, cylindrically pressed, with rounded ends



Universal joint

Drop-forged, hot-dip galvanised universal joint, consists of two sintered bushes, for free swinging in any direction



Sintered bush

For all reciprocating movements we use sintered plain bearings which are self-lubricating in use and can easily be exchanged if necessary



Ground anchor

All parts used for anchoring to the ground are made of hot-dip galvanised steel or stainless steel



Roller bearings

Roller bearings made of stainless steel for rotating elements, easy to maintain and exchange, sealed



For more detailed explanation of the quality characteristics see price list.

Hot-dip galvanised steel construction

Floor surfacing made of non-impregnated mountain larch, 40 mm

Pivoted mast top with freewheel mechanism ensuring that the ropes can wind up in only one direction

Foundation frame made of steel

Dimensions

(small deviations possible)

Height	3.95 m
Diameter	1.90 m
Mast tube	140 x 8 mm
Weight	420 kg



6.10500

Play value

Roundabouts belong to the basic elements of playgrounds. Older children as well as younger ones enjoy being whirled around or gently turned about. Our red roundabout is an one-piece dish providing six seats. Due to its colour and shape, it is very attractive and can be an artistic accentuating item of a play area.



Roundabout

Fundamental characteristics

- Soft shape
- Exclusive design
- Accentuation of a play area by its colour
- Speed limitation
- Calculable rotation speed
- Incentive for playing: red colour, soft shape
- Movement: pushing, turning

Recommended for

- Kindergarten children
- Supervised play areas, such as kindergartens, schools, after-school programmes or similar
- Public play areas without supervision, such as playgrounds, parks or similar

© Richter Spielgeräte GmbH 06/22

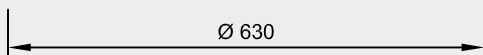
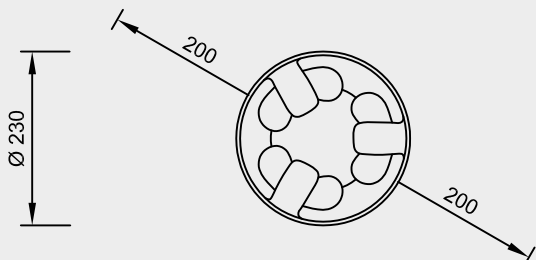
Design G. Beltzig



6.26000

Order No. 6.26000
Roundabout

Safety distance 
Device dimensions 
Functional distance 



Scale 1:100

Safety check according to DIN EN 1176

Components

- 1 Dish with 3 double mouldings for seats mounted on a rotating spindle
- 1 Foundation frame

Installation information

Surfacing requirements as for critical fall height ≤ 1.00 m (please refer to price list for more detailed information)

Foundations
1 item 80 x 80 x 80 cm
Excavation depth 80 cm

Attention:
Exact measurements may vary;
for all installation dimensions refer to current assembly instructions.
Technical changes reserved.

Technical information

Dish of fibreglass-strengthened polyester worked on in open form during the fibre-spraying process. Extremely colourfast and resistant to UV rays and frost

Ground anchor

All parts used for anchoring to the ground are made of hot-dip galvanised steel or stainless steel



Roller bearings

Roller bearings made of stainless steel for rotating elements, easy to maintain and exchange, sealed



For more detailed explanation of the quality characteristics see price list.

Surface totally smooth, wall thickness 8 mm

Lip reinforced to 25 mm

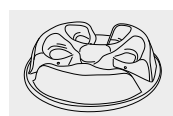
Standard colour red

Foundation Frame made of steel

Dimensions

(small deviations possible)

Height	0.60 m
Diameter	2.30 m
Weight	120 kg



6.26000



Photo © Daniel Perales

Play value

The smooth-running spinner can be put into motion with a push, either with a hand whilst sitting or in a standing position using a foot. The handrail tubing can be used to hold on to. It promotes small gymnastic-type exercises. Because of its shape, the Small Spinner is also suitable as a play spot in a pedestrian zone or other inner-city locations.

Fundamental characteristics

- Child-size and age-appropriate dimensions
- A spinning play offer for all ages
- High-quality design
- Playful experience of the pirouette effect
- Incentive for playing: human shape, recognition value
- Movement: spinning, shifting one's weight

Recommended for

- Children under 3 years
- Kindergarten children
- Supervised play areas, such as kindergartens, schools, after-school programmes or similar
- Public play areas without supervision, such as playgrounds, parks or similar



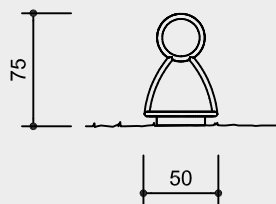
Small Spinner

© Richter Spielgeräte GmbH 06/22



6.26400

Order No. 6.26400
Small Spinner



Safety distance →
 Device dimensions —●—
 Functional distance —|—

Technical information

Equipment made of stainless steel, glass bead blasted

Ground anchor

All parts used for anchoring to the ground are made of hot-dip galvanised steel or stainless steel



Roller bearings

Roller bearings made of stainless steel for rotating elements, easy to maintain and exchange, sealed



For more detailed explanation of the quality characteristics see price list.

Ergonomic handrail tubing
 Ø 33.7 mm

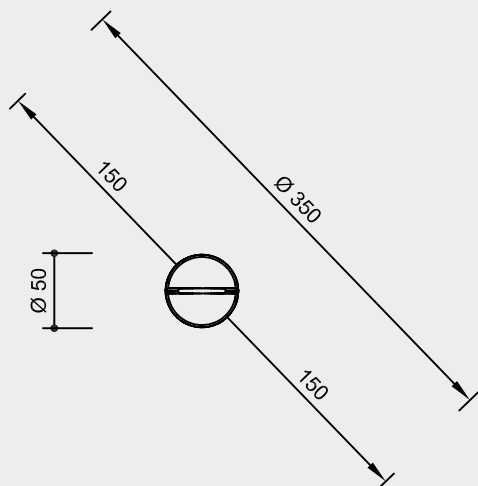
Surfacing made from checker plate

Foundation frame made of steel

Dimensions

(small deviations possible)

Height	0.75 m
Diameter	0.50 m
Weight	35 kg



Scale 1:50

Safety check according to DIN EN 1176

Components

- 1 Small Spinner
- 1 Foundation frame

Installation information

Surfacing requirements corresponding to a fall height of ≤ 0.60 m (please refer to price list for more detailed information)

Foundations
 1 item 60 x 60 x 20 cm
 Excavation depth 60 cm

Attention:
Exact measurements may vary, for all installation dimensions refer to current installation instructions.
 Technical changes reserved.



6.26400



Play value

Children recognise at once that this „Family“ of carousels stands for father, mother and child, despite of their abstract design. The carousels can easily be set in motion, sitting on the disc by hand or being in an upright position by one’s feet. The bent tubes serve as hand holds. Moreover, they can be used for gymnastic exercise. The carousels of the „Family“ line show their special nature mainly as complete installation with all three family members. Due to their formal design, they are very well suited for play areas in city centres and other public places in towns.

Fundamental characteristics

- Dimensions corresponding to different age groups by different sizes of the carousels
- Attractive design
- Playful experience of the pirouette effect
- Incentive for playing: friendly appearance, identification, different sizes
- Movement: moving one’s centre of gravity, turning

Recommended for

- Kindergarten children
- School children
- Supervised play areas, such as kindergartens, schools, after-school programmes or similar
- Public play areas without supervision, such as playgrounds, parks or similar



**Medium Spinner
Large Spinner**

© Richter Spielgeräte GmbH 06/22

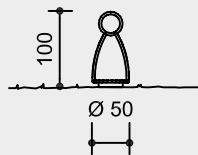


6.26401

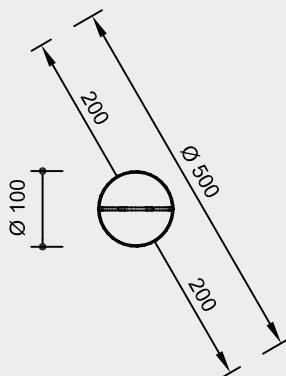
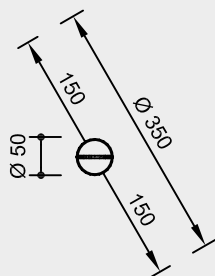
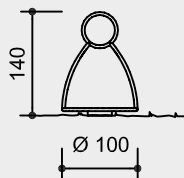


6.26402

**Order No. 6.26401
Medium Spinner**



**Order No. 6.26402
Large Spinner**



Safety distance →
Device dimensions —●—
Functional distance —|—

Scale 1:100

Safety check according to DIN EN 1176

Components

**Order No. 6.26401
Medium Spinner**

- 1 Carousel
- 1 Foundation frame

**Order No. 6.26402
Large Spinner**

- 1 Carousel
- 1 Foundation frame

Installation information

Surfacing requirements
surfacing required as for critical fall height of
Order No. 6.26401 ≤ 0.60 m
Order No. 6.26402 ≤ 1.00 m
(please refer to price list for more detailed information)

Foundations

**Order No. 6.26401
Medium Spinner**
1 item 60 x 60 x 20 cm
Excavation depth 60 cm
**Order No. 6.26402
Large Spinner**
1 item 60 x 60 x 55 cm
Excavation depth 60 cm

Attention:
Exact measurements may vary, for all installation dimensions refer to current installation instructions.
Technical changes reserved.

Technical information

Equipment made of stainless steel, glass bead blasted

Ground anchor

All parts used for anchoring to the ground are made of hot-dip galvanised steel or stainless steel



Roller bearings

Roller bearings made of stainless steel for rotating elements, easy to maintain and exchange, sealed



For more detailed explanation of the quality characteristics see price list.

Sturdy, welded substructure, painted

Easy grip tubes

**Order No. 6.26401
Medium Spinner**

Ø 33.7 mm

**Order No. 6.26402
Large Spinner**

Ø 42 mm

Surfacing made of checker plate

Foundation frame made of steel

Dimensions

(small deviations possible)

**Order No. 6.26401
Medium Spinner**

Height	1.00 m
Diameter	0.50 m
Weight	45 kg

**Order No. 6.26402
Large Spinner**

Height	1.40 m
Diameter	1.00 m
Weight	70 kg



6.26401



6.26402



Order No. 6.26500 Turntable

Play value

Turning around is great fun for children. The Turntable and the Small Carousel give an opportunity for making first experiences regarding power, centrifugal forces and speed. Physical skills are extended and developed. Principles such as cause and effect can be absorbed subconsciously, physical limits can be experienced. The small carousels encourage communication and cooperation.

Fundamental characteristics

- Dimensions corresponding to children's size
- Balanced design
- Solid wooden floor for a firm hold and comfortable seating
- Incentive for playing: easy grip tubes
- Movement: turning

Recommended for

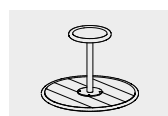
- Kindergarten children
- Supervised play areas, such as kindergartens, schools, after-school programmes or similar
- Public play areas without supervision, such as playgrounds, parks or similar



Order No. 6.26501 Small Carousel with rotating floor made of wood



Turntable
Small Carousel with rotating floor made of wood
Small Carousel with rotating floor made of checker plate



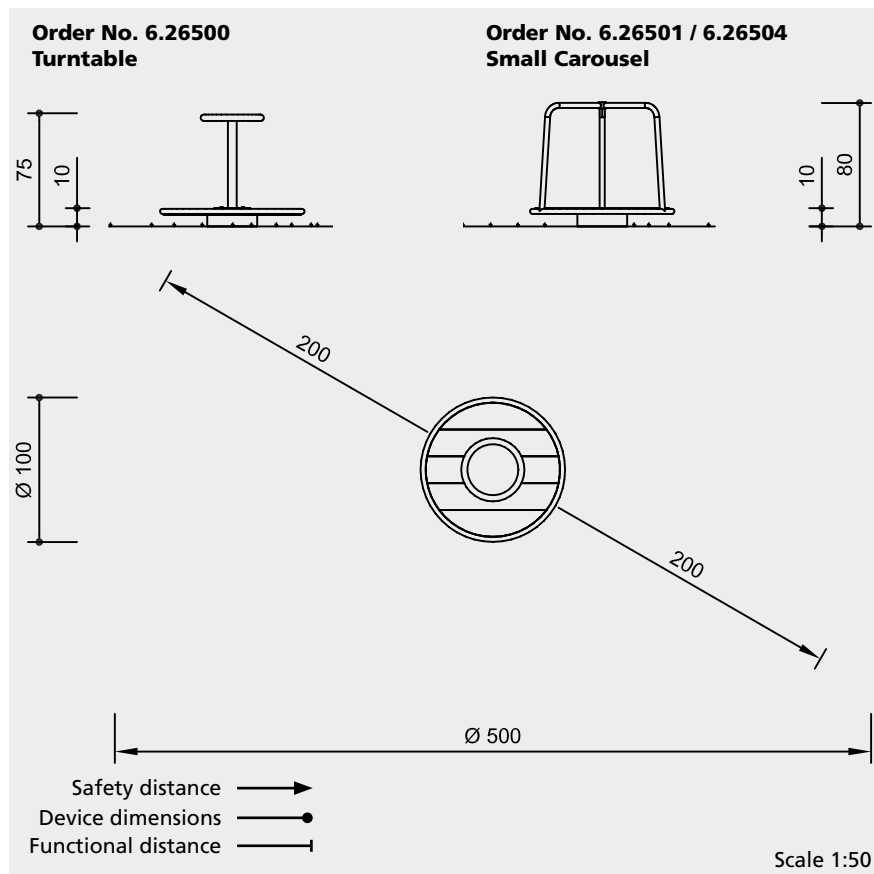
6.26500



6.26501



6.26504



Safety check according to DIN EN 1176

Components

Order No. 6.26500 Turntable

- 1 Carousel
- 1 Foundation frame

Order No. 6.26501 / 6.26504 Small Carousel

- 1 Carousel
- 1 Foundation frame

Installation information

Surfacing requirements
 surfacing required as for critical fall height of ≤ 1.00 m
 (please refer to price list for more detailed information)

Foundations
 1 item 60 x 60 x 55 cm
 Excavation depth 60 cm

Attention:
Exact measurements may vary;
for all installation dimensions refer to current assembly instructions.
 Technical changes reserved.

Technical information

Equipment made of stainless steel, glass bead blasted

Ground anchor

All parts used for anchoring to the ground are made of hot-dip galvanised steel or stainless steel



Roller bearings

Roller bearings made of stainless steel for rotating elements, easy to maintain and exchange, sealed



Easy grip handrail tubes, $\varnothing 33.7$ mm

Sturdy, welded substructure

Foundation frame made of steel

Order No. 6.26500 Turntable

Order No. 6.26501 Small Carousel

Rotating floor of 35 mm planks made of non-impregnated mountain larch

Core-free

Sawn-timbers core-free, thus decreasing occurrences of cracking and undesired changes in shape



For more detailed explanation of the quality characteristics see price list.

Expanding and shrinking of the planks is reduced by relief cuts applied to the underside

Order No. 6.26504 Small Carousel

Rotating floor made of checker plate

Dimensions

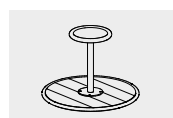
(small deviations possible)

Order No. 6.26500 Turntable

Equipment height	0.75 m
Diameter	1.00 m
Weight	73 kg

Order No. 6.26501 / 6.26504 Small Carousel

Equipment height	0.80 m
Diameter	1.00 m
Weight	63 kg



6.26500



6.26501



6.26504

Play value

This well designed carousel offers place for many children at the same time. When turning around slowly, it is possible to sit down on the lower tube and lean against the upper one for having a relaxed chat. When the carousel gets turned around by the turning wheel in the middle, the speed can get higher and children hold on to the tubes. This type of carousel is also suitable as a meeting point for young people.



© Richter Spielgeräte GmbH 06/22

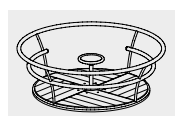
Carousel with Seating Ring

Fundamental characteristics

- Agreeable design
- Pleasant wooden floor
- Different options for sitting and holding on due to the shape of the tubes and the overall design; experience of acceleration and slowing down by moving one's centre of gravity
- Incentive for playing: shape of handrails, turning wheel
- Movement: turning, moving one's centre of gravity


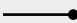
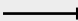
Recommended for

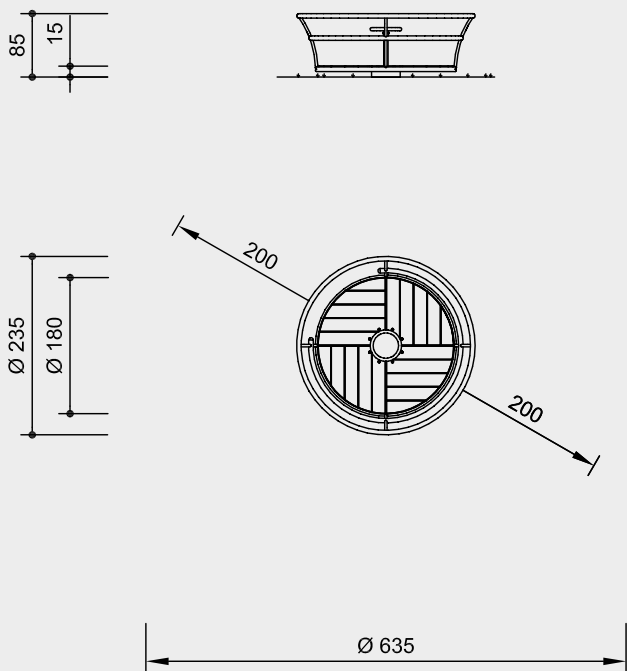
- School children
- Young people
- Supervised play areas, such as kindergartens, schools, after-school programmes or similar
- Public play areas without supervision, such as playgrounds, parks or similar



6.26502

Order No. 6.26502
Carousel with Seating Ring

Safety distance 
 Device dimensions 
 Functional distance 



Scale 1:100

Safety check according to DIN EN 1176

Components

- 1 Carousel
- 1 Foundation frame
- 1 Bearing with handwheel

Installation information

Surfacing requirements
 surfacing required as for critical fall
 height of ≤ 1.00 m
 (please refer to price list for more
 detailed information)

Foundations
 1 item 80 x 80 x 70 cm
 Excavation depth 80 cm

Attention:
Exact measurements may vary, for
all installation dimensions refer to
current installation instructions.
 Technical changes reserved.

Technical information

Equipment made of stainless steel,
 glass bead blasted

Core-free

Sawn-timbers core-free, thus decreasing
 occurrences of cracking and undesired
 changes in shape



Ground anchor

All parts used for anchoring to the
 ground are made of hot-dip galvanised
 steel or stainless steel



Roller bearings

Roller bearings made of stainless steel
 for rotating elements, easy to maintain
 and exchange, sealed



**For more detailed explanation of the
 quality characteristics see price list.**

Rotating floor made of 35 mm planks of
 non-impregnated mountain larch

Expanding and shrinking of the planks
 is reduced by relief cuts applied to the
 underside

Seating rings $\varnothing 60$ mm
 All other tubes $\varnothing 33.7$ mm

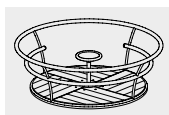
Sturdy, welded substructure

Foundation frame made of steel

Dimensions

(small deviations possible)

Height	0.85 m
Diameter on top	2.35 m
Diameter of the floor	1.80 m
Weight	250 kg



6.26502

Play value

This agreeably shaped carousel is a good combination of wood and stainless steel; due to its high quality design it is also suited for installation in town centres. The curved tubes invite one to lean on and relax and also give support at higher turning speeds. Communication and cooperation enhance the experience gained from the pushing required to set the carousel in motion. This equipment for active play can be offered as interesting, rather unobtrusive, meeting point for teenagers.



© Richter Spielgeräte GmbH 06/22

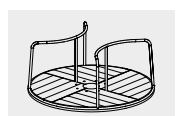
Standing Carousel

Fundamental characteristics

- Agreeable design
- Unobtrusive appearance
- Solid wooden floor for a firm hold and comfortable standing and seating
- Incentive for playing: bars, big round surface
- Movement: pushing, turning


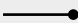
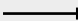
Recommended for

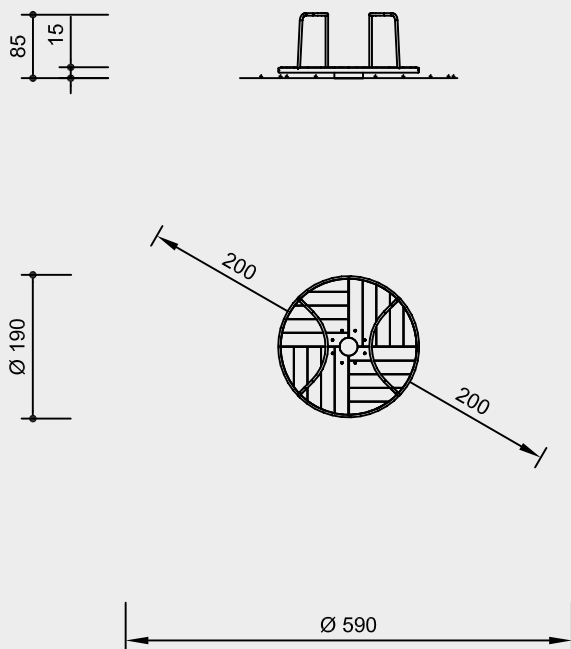
- School children
- Young people
- Public play areas without supervision, such as playgrounds, parks or similar



6.26503

**Order No. 6.26503
Standing Carousel**

Safety distance 
 Device dimensions 
 Functional distance 



Scale 1:100

Safety check according to DIN EN 1176

Components

- 1 Carousel
- 1 Foundation frame
- 1 Bearing

Installation information

Surfacing requirements
 surfacing required as for critical fall
 height of ≤ 1.00 m
 (please refer to price list for more
 detailed information)

Foundations
 1 item 80 x 80 x 70 cm
 Excavation depth 80 cm

Attention:
Exact measurements may vary;
for all installation dimensions refer
to current assembly instructions.
 Technical changes reserved.

Technical information

Equipment made of stainless steel,
 glass bead blasted

Core-free

Sawn-timbers core-free, thus decreasing
 occurrences of cracking and undesired
 changes in shape



Ground anchor

All parts used for anchoring to the
 ground are made of hot-dip galvanised
 steel or stainless steel



Roller bearings

Roller bearings made of stainless steel
 for rotating elements, easy to maintain
 and exchange, sealed



**For more detailed explanation of the
 quality characteristics see price list.**

Rotating floor of 35 mm planks made of
 non-impregnated mountain larch

Expanding and shrinking of the planks
 is reduced by relief cuts applied to the
 underside

Easy grip handrail tubes, $\varnothing 33.7$ mm

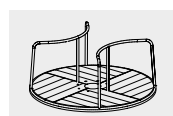
Sturdy, welded substructure

Foundation frame of steel

Dimensions

(small deviations possible)

Height	0.85 m
Diameter	1.90 m
Weight	190 kg



6.26503

Play value

The Wobble Dish can hold from one to three small children and provides wobbling, swinging enjoyment. When the children shift their weight they can swing to and fro, can whirl in a circle or roll while the dish moves on its central point of support. Thereby, an overlapping effect can occur and things do not always move as they could be expected to. However, that is just what makes it fun, also for smaller children. Coordination of movements and readiness to take risks are experienced through play.



Photo © Angel Rodriguez Ballesteros



Photo © Angel Rodriguez Ballesteros



Fundamental characteristics

- The universal joint mounting allows for use also on public playgrounds
- Incentive for playing: sitting into
- Movement: turning around, wobbling about, shifting one's weight

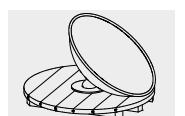
Recommended for

- Kindergarten children
- Supervised play areas, such as kindergartens, schools, after-school programmes or similar
- Public play areas without supervision, such as playgrounds, parks or similar

Planning information

To prevent the underground parts of the mechanism from being damaged, we advise against installing the equipment in sand.

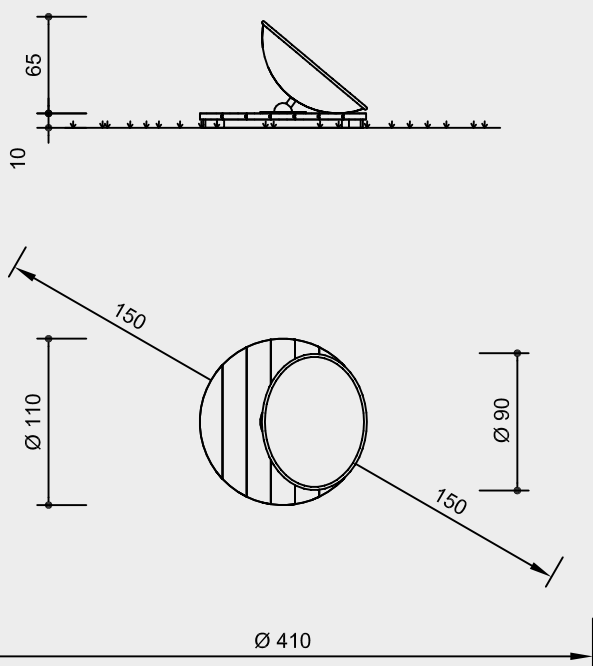
Wobble Dish



6.27300

Order No. 6.27300
Wobble Dish

Safety distance 
 Device dimensions 
 Functional distance 



Scale 1:50

Safety check according to DIN EN 1176

Components

- 1 Wobble Dish with 1 prefabricated concrete foundation

Installation information

Surfacing requirements corresponding to a fall height of ≤ 0.60 m (please refer to price list for more detailed information)

Foundations
 Excavation for pre-fabricated foundation $\varnothing 1.05 \times 0.07$ m
 For installation in loose material an additional anchorage in in-situ concrete is necessary (on site).

Attention:
Exact measurements may vary, for all installation dimensions refer to current installation instructions.
 Technical changes reserved.

Technical information

Base made of non-impregnated mountain larch

Core-free
 Sawn-timbers core-free, thus decreasing occurrences of cracking and undesired changes in shape



Tongue and groove
 Tongue and groove planks made of 4 cm solid wood, highly resilient, no trickling of dust / sand, protection against direct rain



Roller bearings
 Roller bearings made of stainless steel for rotating elements, easy to maintain and exchange, sealed



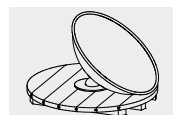
For more detailed explanation of the quality characteristics see price list.

Dish and cover of bearing made of 2 mm thick stainless steel, glass bead blasted, with grip rim

The rotating joint is covered with a rubber ring for finger protection

Dimensions
 (small deviations possible)

Height	0.75 m
Diameter	1.10 m
Weight	190 kg



6.27300

Play value

The Whirligig is very attractive to small children, due to its friendly appearance and child-sized dimensions. Only a small amount of force is enough to start the Whirligig turning around, with or without a guest. If a passenger is on the foot support ring, they can influence the turning speed by shifting their centre of gravity. Children can hold on to the arms or collar easily and turn around together with the Whirligig. This carousel provides the opportunity of exploring the laws of centrifugal force in a playful manner.

Fundamental characteristics

- Child-sized and emotionally appealing design
- Sensitive use of colour
- Play value can be experienced individually
- Can be put into motion with one push of the leg
- Pirouette effect can be experienced
- Incentive for playing: face, colour, arms
- Movement: running around, spinning



Special version



Order No. 6.28100 Whirligig with Arms, red / orange



Order No. 6.28104 Whirligig with Collar, red / orange, Photo © Daniel Perales



Order No. 6.28100 Whirligig with Arms, light blue / blue

Recommended for

- Children under 3 years
- Kindergarten children
- Supervised play areas such as kindergartens, schools, after-school programmes or similar
- Public play areas without supervision, such as playgrounds, parks or similar

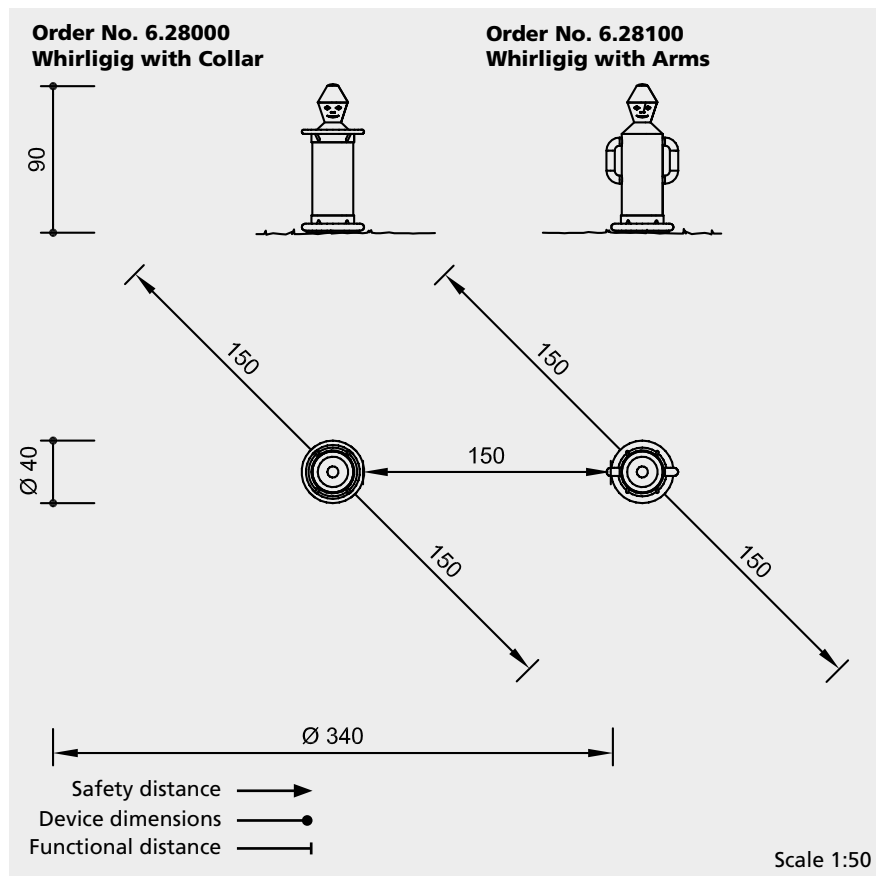
**Whirligig with Collar
Whirligig with Arms**



6.28000 - 6.28006



6.28100 - 6.28106



Safety check according to DIN EN 1176

Components

- 1 Whirligig
- 1 Pre-fabricated concrete foundation

Installation information

Surfacing requirements corresponding to a fall height of ≤ 0.60 m (please refer to price list for more detailed information)

Foundations
Excavation for pre-fabricated foundation approx. $\varnothing 1.00 \times 0.35$ m
For installation in loose material, e.g. sand, an additional anchorage in concrete is necessary on-site.

Recommendation

When installed in loose ground, the pre-fabricated concrete foundation should be covered durably, e.g. with safety tiles.

Attention:
Exact measurements may vary, for all installation dimensions refer to current installation instructions.
Technical changes reserved.

Technical information

Turning body lathe-turned from one piece of non-impregnated mountain larch

Peeled white

Palisades peeled white means that bark, cambium and sapwood are removed, the natural shape of the trunk is preserved and can be experienced



For more detailed explanation of the quality characteristics see price list.

The wood is split in order to dry and screwed back together around a rubber layer, thereby preventing the solid timber from cracking.

All visible metal parts made of stainless steel, glass bead blasted

With double polyamide bearings

Colour

Solvent-free acrylic paints are used for colouring; the wood is painted in a way which allows the structure of the wood to remain clearly visible

Standard colours:

- Order No. 6.28000 / 6.28100**
light blue, blue
- Order No. 6.28004 / 6.28104**
red, orange
- Order No. 6.28006 / 6.28106**
purple, pink

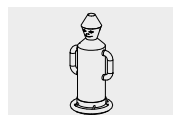
Dimensions

(small deviations possible)

Height	0.90 m
Diameter	0.40 m
Weight	160 kg



6.28000 - 6.28006



6.28100 - 6.28106

Play value

This is a piece of equipment that people in wheelchairs, who have some arm function, can use without needing any extra help. Complicated technical measures make the opportunity of unaided play a reality. The rotary mechanism lies under the ground, thereby making access to the carousel level. The long lever arm of the anti-roll bar is very sturdy so that children can sit on it. It is also the locking device. The counterweight ensures its easy operation.



Big Wheelchair Carousel

Fundamental characteristics

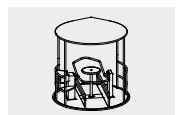
- Can be used without accompanying person
- Locking brake and recoil safety guard can be operated without assistance
- The rotating mechanism is released only when both guards are closed
- Installation on non-supervised play areas possible
- Supports integration
- Incentive for playing: technical construction, roof
- Movement: physical effort

Barrier-free

- Special exercise experience
- Independent play


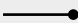
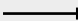
Recommended for

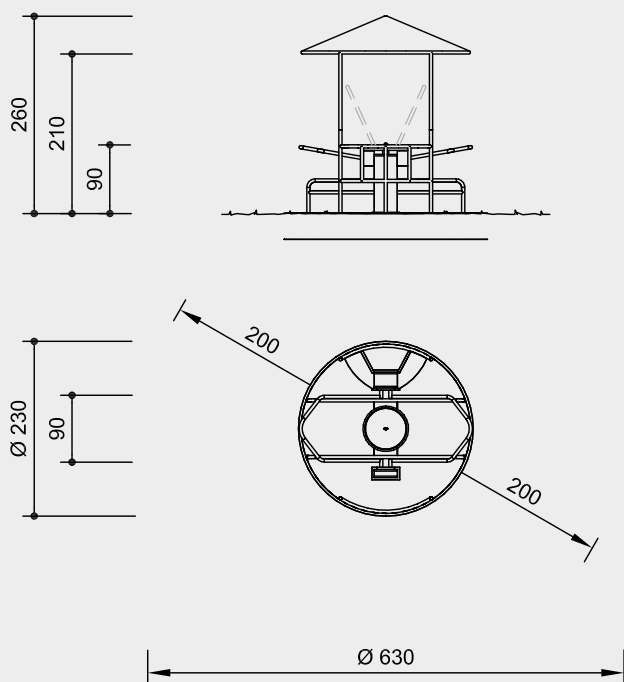
- Kindergarten children
- School children
- Young people
- Adults
- Older people
- Supervised play areas, such as kindergartens, schools, after-school programmes or similar
- Public play areas without supervision, such as playgrounds, parks or similar



6.29000

Order No. 6.29000
Big Wheelchair Carousel

Safety distance 
 Device dimensions 
 Functional distance 



Scale 1:100

Safety check according to DIN EN 1176

Components

- 1 Carousel with rotating plate and rotating mechanism
- 1 Roof
- 1 Foundation frame

Installation information

Surfacing requirements as for critical fall height of ≤ 1.00 m, accessible with wheelchairs (please refer to price list for more detailed information)

Foundations
 1 Concrete foundation slab diameter 2.70 m, approx. 15 cm thick
 1 Middle foundation 100 x 100 cm depth below frost level (depending on location 80 - 120 cm)

Attention:
Exact measurements may vary;
for all installation dimensions refer to current assembly instructions.
 Technical changes reserved.

Technical information

Equipment made of stainless steel, glass bead blasted

Roller bearings

Roller bearings made of stainless steel for rotating elements, easy to maintain and exchange, sealed



For more detailed explanation of the quality characteristics see price list.

Base plate of textured aluminium, installation flush with ground, \varnothing 2.30 m

All tubes \varnothing 42 mm

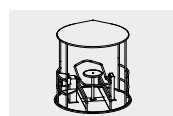
Roof made of reinforced plastic fabric, Standard colour yellow

Foundation frame made of steel

Dimensions

(small deviations possible)

Height	2.60 m
Eaves height	2.10 m
Railing height	0.90 m
Turning plate diameter	2.30 m
Weight	1300 kg



6.29000

Play value

The flat metal plate with the fixed approach ramps and a moving part, for turning, require no foundations. They are light enough to move with a trailer but heavy enough so that they cannot be moved by vandals. Their stability also allows wheelchair users and people with cycles and mopeds to drive on and over them. The ground plates of metal are a discreet but effective play item for pedestrian areas, schoolyards and playgrounds, and stimulate active play.

Fundamental characteristics

- Unique and original
- Offer for active play with integrative character
- Also suitable for wheelchair users
- Incentive for playing: surprising element on the ground
- Movement: turning, rocking

Recommended for

- Kindergarten children
- School children
- Only suitable for supervised play areas

Barrier-free

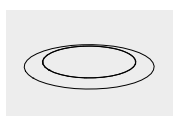
- Special exercise experience
- With a carer

Note

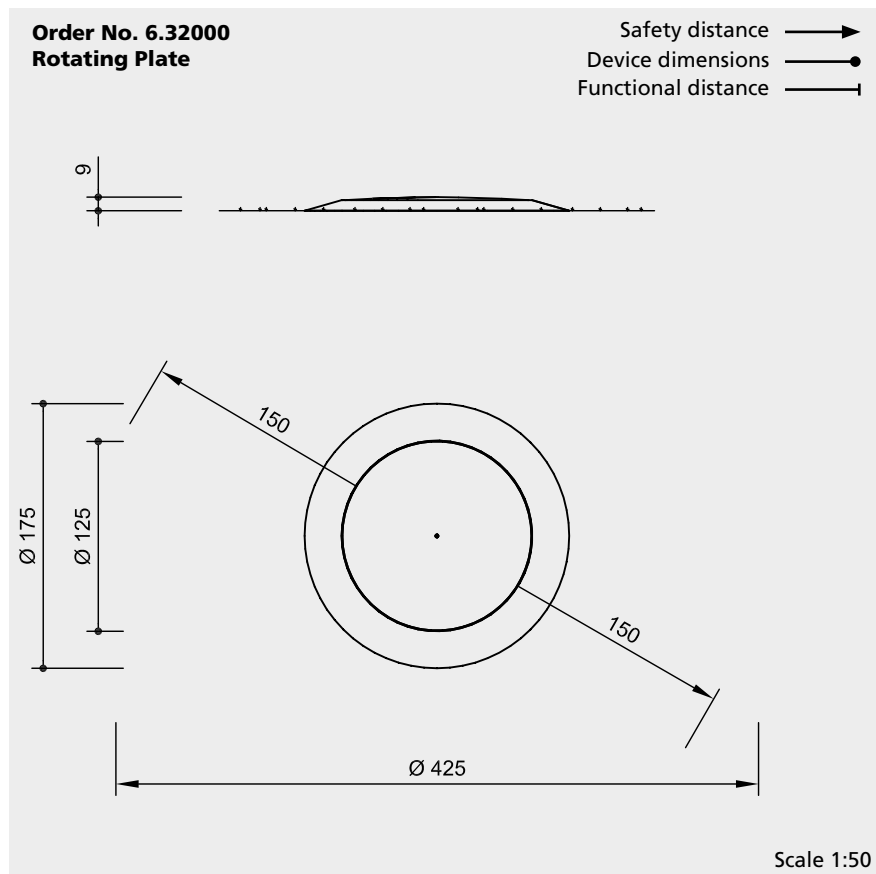
An adequate surface design helps to avoid passers-by stepping on the plates unintentionally and thus improves safety.



Rotating Plate



6.32000



Safety check according to DIN EN 1176

Components

- 1 Rotating Plate

Installation information

Surfacing requirements corresponding to a fall height of $\leq 0,60$ m (please refer to price list for more detailed information)

Foundations
no foundations necessary

Attention:
Exact measurements may vary;
for all installation dimensions refer to current assembly instructions.
Technical changes reserved.

Technical information

Steel construction, hot-dip galvanised, padded underneath with vulcanised foam rubber to reduce sound level

Roller bearings

Roller bearings made of stainless steel for rotating elements, easy to maintain and exchange, sealed

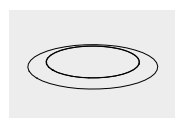


For more detailed explanation of the quality characteristics see price list.

Dimensions

(small deviations possible)

Height	0.09 m
Diameter	1.75 m
Diameter of turning disc	1.25 m
Weight	220 kg



6.32000



Play value

Our Small Wheelchair Carousel offers unique merry-go-round pleasure. The design enables children and young people with a physical disability to bring about the circular movement with the help of a carer.

Fundamental characteristics

- Unique and original
- Highly inclusive equipment that promotes exercise
- Incentive for playing: technical design, easy access
- Movement: rotating movement, physical effort

Recommended for

- Kindergarten children
- School children
- Young people
- Adults
- Supervised play areas, such as kindergartens, schools, after-school programmes or similar
- Public play areas without supervision, such as playgrounds, parks or similar

Barrier-free

- Special exercise experience
- With a carer

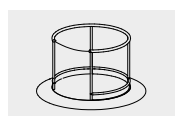


Small Wheelchair Carousel

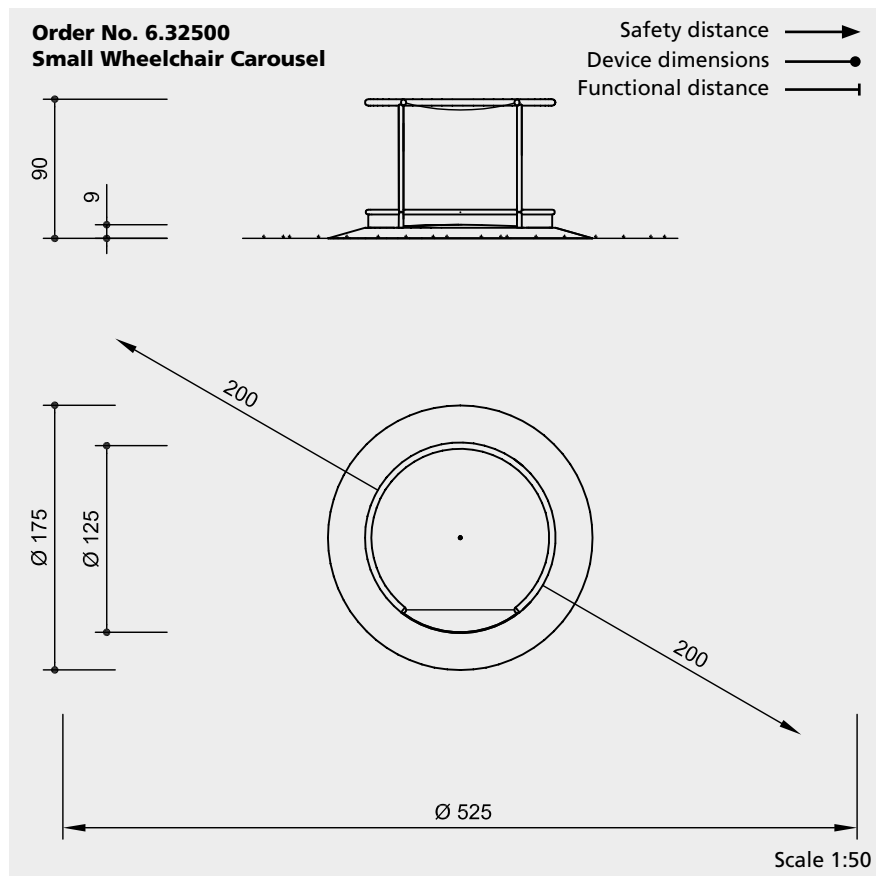


© Richter Spielgeräte GmbH 06/22

Design G. Beltzig



6.32500



Safety check according to DIN EN 1176

Components

1 Small Wheelchair Carousel

Installation information

Surfacing requirements as for critical fall height of ≤ 1.00 m, accessible with wheelchairs (please refer to price list for more detailed information)

Foundations
no foundations required

Attention:
Exact measurements may vary, for all installation dimensions refer to current installation instructions.
Technical changes reserved.

Technical information

Support frame made of steel, hot-dip galvanised, filled with rigid foam from underneath for noise reduction

Richter Hercules type rope

Richter Hercules type rope, a combination of galvanised six-strand steel cables and polyester yarn, diameter > 20 mm, laid and glued with very good abrasion resistance, strong sheathing even in the case of damage by puncturing



Aluminium rope pressing

Aluminium rope pressing, cylindrically pressed, with rounded ends



Roller bearings

Roller bearings made of stainless steel for rotating elements, easy to maintain and exchange, sealed



For more detailed explanation of the quality characteristics see price list.

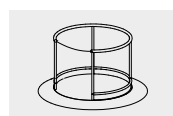
Superstructure made of stainless steel, glass bead blasted

Handrail made of Ø 42 mm tube, handrail posts Ø 30 mm, with wheel "deflector" at the bottom

Dimensions

(small deviations possible)

Height	0.90 m
Diameter	1.75 m
Turning disc	1.25 m
Weight	250 kg



6.32500

Play value

This disc is an example of play equipment which captivates children in its own very special way. It is, on one hand, set in motion by children running towards the raised side of the disc according to the intended function, whereas the „fellow riders“ experience very significantly the effects of centrifugal force. Those who cannot hold on to the disc, simply slide off; stronger and more skilled children remain on the disc despite the high speed - a natural selection without any risk.



© Richter Spielgeräte GmbH 06/22

Giant Revolving Disc

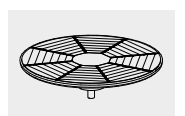
The other type of use is in form of a meeting point for young people. While sitting on the gently rotating disc, they hold discussions and seek each other's company.

Fundamental characteristics

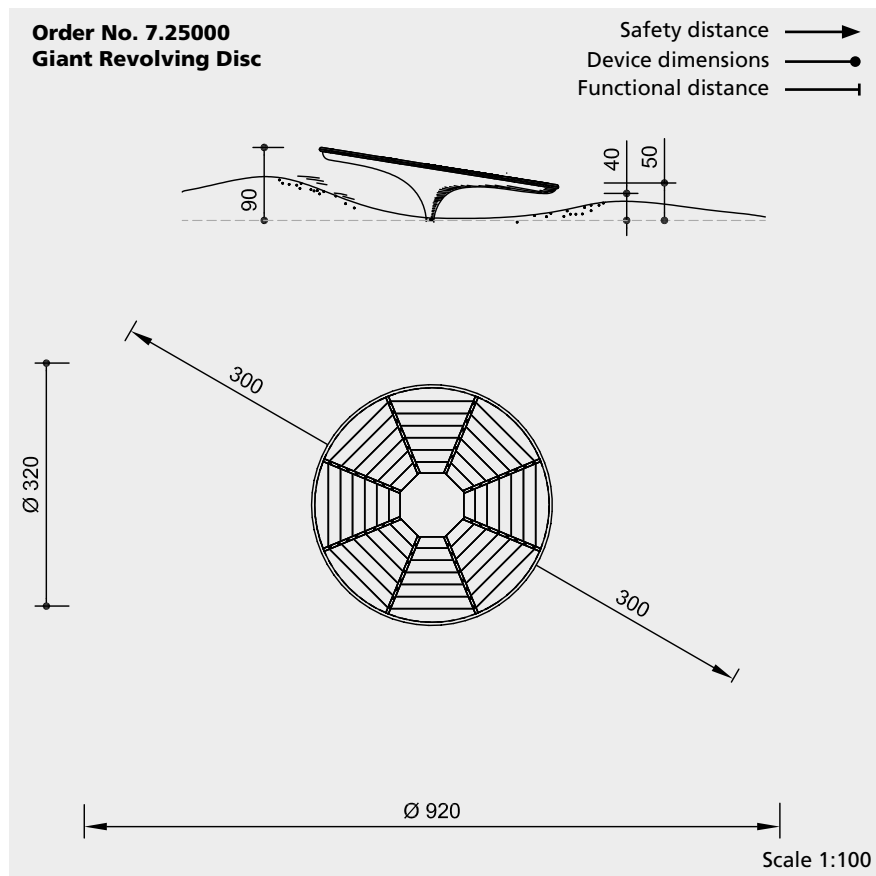
- Agreeable design, green funnel, wooden floor with 8 sections
- Wooden surface for pleasant tactile experience
- Large diameter requires highly developed turning mechanism
- Incentive for playing: big disc, design
- Movement: physical power, turning, balancing, running

Recommended for

- School children
- Young people
- Public play areas without supervision, such as playgrounds, parks or similar
- Swimming pools without supervision, such as outdoor pool, adventure pools or similar



7.25000



Safety check according to DIN EN 1176

Components

- 1 Revolving disc completely mounted with funnel for protection
- 1 Foundation frame

Installation information

Surfacing requirements corresponding to a fall height of ≤ 1.00 m (please refer to price list for more detailed information)

Foundations
1 item 100 x 100 x 70 cm
Excavation depth 100 cm

Attention:
Exact measurements may vary;
for all installation dimensions refer to current assembly instructions.
Technical changes reserved.

Technical information

Walking boards made of non-impregnated mountain larch

Core-free

Sawn-timbers core-free, thus decreasing occurrences of cracking and undesired changes in shape



Tongue and groove

Tongue and groove planks made of 4 cm solid wood, highly resilient, no trickling of dust / sand, protection against direct rain



Plywood

Plywood made of mountain larch, three-layer (3 cm) or five-layer (4 cm). High dimensional stability, waterproof, glued according to DIN EN 13353:2011



Ground anchor

All parts used for anchoring to the ground are made of hot-dip galvanised steel or stainless steel



Roller bearings

Roller bearings made of stainless steel for rotating elements, easy to maintain and exchange, sealed



For more detailed explanation of the quality characteristics see price list.

Upper surface without protruding elements

Outer ring made of stainless steel, glass bead blasted

Dish made of fibreglass-strengthened polyester worked on in open form during the fibre-spraying process; extremely colourfast and resistant to UV rays and frost; base completely smooth, therefore no additional protection required

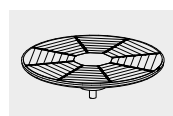
Sturdy, welded substructure with oversize bearing

Foundation frame made of steel

Dimensions

(small deviations possible)

Height	0.90 m
Diameter	3.20 m
Weight	670 kg



7.25000

Play value

Due to its low height and its minimum inclination, the Rotating Disc allows turning from relaxed to wild. The effects of centrifugal force can be experienced, balancing in combination with running can be developed. There is much fun especially together with others, for those who get turned around as well as for those who set the disc in motion. It is very relaxing to turn around gently while having a chat.



© Richter Spielgeräte GmbH 06/22

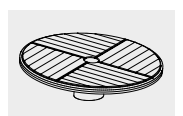
Rotating Disc

Fundamental characteristics

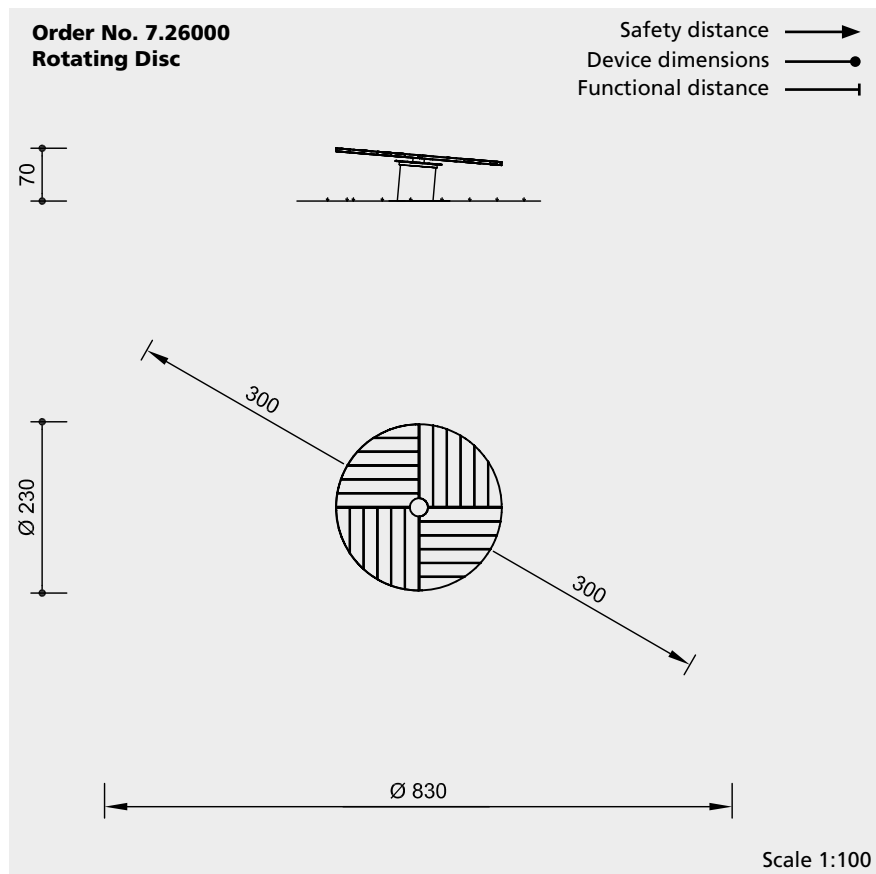
- Wooden surface for pleasant tactile experience
- Careful selection of materials and high-quality finish
- Incentive for playing: large disc
- Movement: physical power, turning

Recommended for

- School children
- Young people
- Public play areas without supervision, such as playgrounds, parks or similar
- Swimming pools without supervision, such as outdoor pool, adventure pools or similar
- Water play areas with and without supervision
- Leisure parks



7.26000



Safety check according to DIN EN 1176

Components

- 1 Disc
- 1 Rotating mechanism
- 1 Foundation frame

Installation information

Surfacing requirements corresponding to a fall height of ≤ 1.00 m (please refer to price list for more detailed information)

Foundations
1 item 80 x 80 x 75 cm
Excavation depth 80 cm

Attention:
Exact measurements may vary, for all installation dimensions refer to current installation instructions.
Technical changes reserved.

Technical information

Rotating floor of 35 mm planks made of non-impregnated mountain larch

Core-free
Sawn-timbers core-free, thus decreasing occurrences of cracking and undesired changes in shape



Ground anchor
All parts used for anchoring to the ground are made of hot-dip galvanised steel or stainless steel



Roller bearings
Roller bearings made of stainless steel for rotating elements, easy to maintain and exchange, sealed



For more detailed explanation of the quality characteristics see price list.

Carousel structure made of stainless steel, glass bead blasted

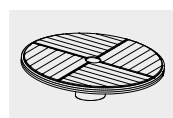
Expanding and shrinking of the planks is reduced by relief cuts applied to the underside

Sturdy, welded substructure

Foundation frame made of steel

Dimensions
(small deviations possible)

Height	0.70 m
Diameter	2.30 m
Weight	340 kg



7.26000

Play value

The Cableway is a mobile piece of equipment which is enjoyed by many age groups. The feeling of speed, riding and whizzing from one station to the other affords great pleasure for younger and older children alike. Depending on age and experience, it is also possible for two to ride together at the same time. The way the cable is suspended between the two ends enables acceleration without the need for a run-up or pushing, and the shape of the gate enables riding to the end. In this equipment, the inclination of the cable slows down the ride. The agreeably designed wooden stations are an eye-catcher with high attraction.



Photo © Daniel Perales



Special version with square timber, Photo © Tristan Filippone

Fundamental characteristics

- The special construction of the valley station enables riding to the end
- Quiet travelling crab
- Easy tensioning adjustment of the cable by one person
- Attractive, sturdy wooden construction
- Incentive for playing: wooden stations, long cable
- Movement: holding on to, being carried, riding

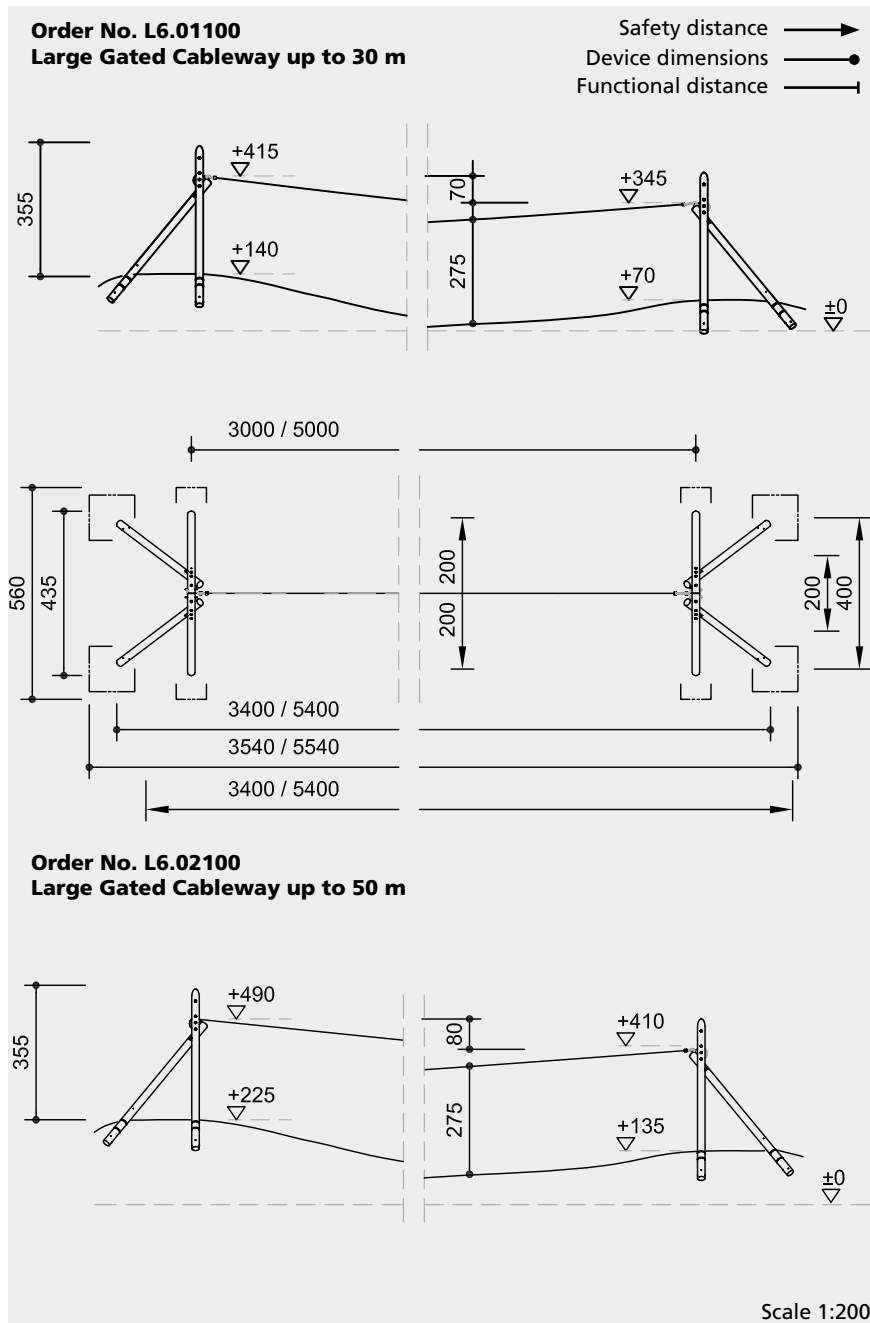
Recommended for

- School children
- Supervised play areas, such as schools, after-school programmes or similar
- Public play areas without supervision, such as playgrounds, parks or similar
- Swimming pools without supervision

Large Gated Cableway up to 30 m
Large Gated Cableway up to 50 m



L6.01100 / L6.02100



Safety check according to DIN EN 1176

Components

- 1 Mountain station with steel feet
- 1 Valley station with steel feet
- 1 Carrying cable with 2 stopper gear sets
- 1 Travelling crab with pendulum seat
- 1 Tube for tensioning

Installation information

Surfacing requirements corresponding to a fall height of ≤ 1.00 m (please refer to price list for more detailed information)

Foundations
4 items 120 x 120 x 50 cm
Excavation depth 70 cm
4 items 80 x 80 x 50 cm
Excavation depth 70 cm

Attention:
Exact measurements may vary;
for all installation dimensions refer
to current assembly instructions.
Technical changes reserved.



L6.01100 / L6.02100

Technical information

Equipment made of mountain larch

Peeled white

Palisades peeled white means that bark, cambium and sapwood are removed, the natural shape of the trunk is preserved and can be experienced



Pendulum seat

Pendulum seat with a large rubber surface. Soft, protective edge and steel insert



Swing joint

Drop-forged, hot-dip galvanised swing joint with sintered bush and integrated swivel



Interlocking

Interlocking connection, with milled metal rings or serrated disc dowels, to reinforce the bolt connection under high loads transverse to the grain direction of the wood



Sintered bush

For all reciprocating movements we use sintered plain bearings which are self-lubricating in use and can easily be exchanged if necessary



Large gated cableway

The large gated cableway covers the required safety distances. The cableway carriage comes to a smooth stop due to the difference in height of the gates and the cable slack



Tensioning device

Tensioning device enables one person to release and re-tension. Large winch radius and anti-kink function protect the rope



Cableway carriage

Our cableway carriage is designed as a sandwich construction. The „encapsulated“ running mechanism ensures quiet operation. The installation of the carriage is possible without dismantling the rope



Special steel cable

High density steel cable made of high-strength and hot-dip galvanized wire. Stable in length, durable and allows a smooth ride of the cableway carriage



Ground anchor

All parts used for anchoring to the ground are made of hot-dip galvanized steel or stainless steel



Chains

Chains made of hot-dip galvanized steel (1.4301 / 1.4571 at extra charge) welded before galvanising, short-linked, without eyelets on the connecting parts, easy to exchange and shorten



For more detailed explanation of the quality characteristics see price list.

Dimensions

(small deviations possible)

Order No. L6.01100 / L6.02100

Height	3.55 m
Length	34 / 54 m
Width	4.35 m
Cable height	2.75 m
Cable length	30 / 50 m
Weight	720 kg

Play value

The Cableway is a mobile piece of equipment which is enjoyed by many age groups. The feeling of speed, riding and whizzing from one station to the other affords great pleasure for younger and older children alike. The way the cable is suspended between the two ends enables acceleration without the need for a run-up or pushing, and the shape of the gate enables riding to the end. In this equipment, the incline of the cable slows down the ride. The agreeably designed wooden stations are an eye-catcher with a high attraction.



© Richter Spielgeräte GmbH 06/22



Cableway with Ramp

Fundamental characteristics

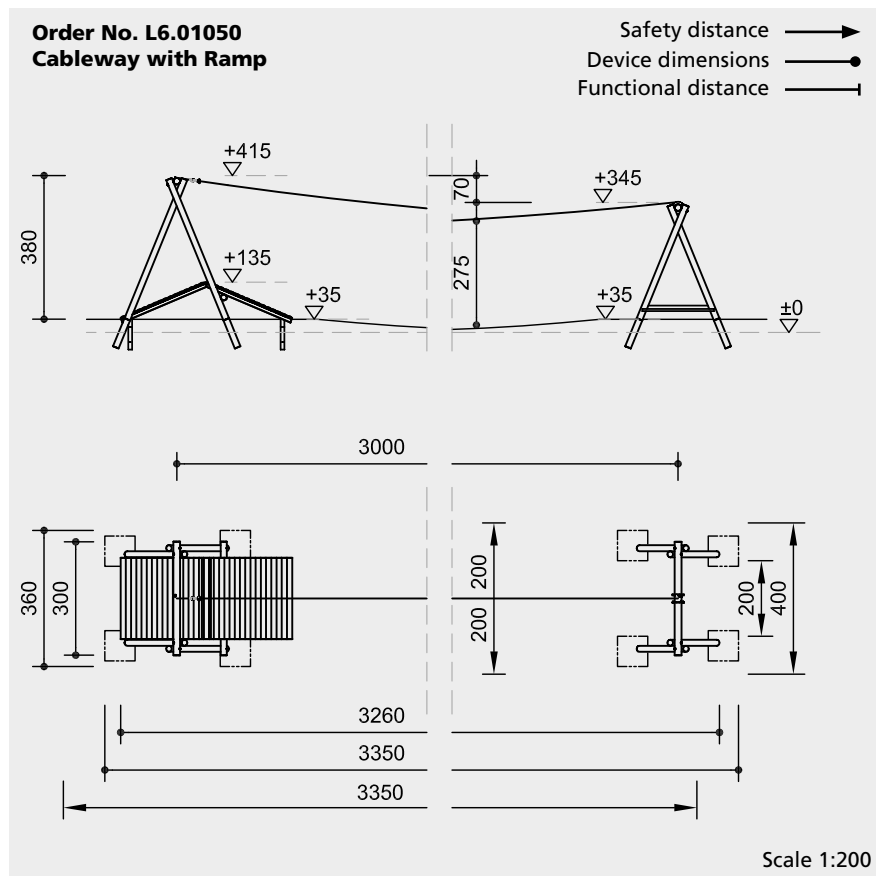
- Quiet-running travelling crab
- Cable tension can be adjusted by one person
- Attractive, sturdy timber design
- Incentive for playing: wooden stations, long zip line
- Movement: holding on to, being carried, hurtling through space

Recommended for

- School children
- Supervised play areas, such as schools, after-school programmes or similar
- Public play areas without supervision, such as playgrounds, parks or similar
- Swimming pools without supervision, such as outdoor pools, adventure pools or similar



L6.01050



Safety check according to DIN EN 1176

Components

- 1 Mountain station with steel feet
- 1 Valley station with steel feet
- 1 Ramp, 2 pieces with steel feet
- 1 Carrying cable with 2 stopper gear sets
- 1 Travelling crab with pendulum seat
- 1 Tube for tensioning

Installation information

Surfacing requirements corresponding to a fall height of ≤ 1.00 m (please refer to price list for more detailed information)

Foundations
8 items 80 x 80 x 60 cm
Excavation depth 80 cm
6 items 50 x 50 x 60 cm
Excavation depth 80 cm

Attention:
Exact measurements may vary, for all installation dimensions refer to current installation instructions.
Technical changes reserved.
Equipment also available without ramp (Order No. L6.01020).

Technical information

Equipment made of mountain larch

Peeled white

Palisades peeled white means that bark, cambium and sapwood are removed, the natural shape of the trunk is preserved and can be experienced



Claddings

Claddings made of mountain larch (4 – 5 cm). Peeled white by hand, natural tree surface remains tangible and perceptible



Pendulum seat

Pendulum seat with a large rubber surface. Soft, protective edge and steel insert



Swing joint

Drop-forged, hot-dip galvanised swing joint with sintered bush and integrated swivel



Interlocking

Interlocking connection, with milled metal rings or serrated disc dowels, to reinforce the bolt connection under high loads transverse to the grain direction of the wood



Sintered bush

For all reciprocating movements we use sintered plain bearings which are self-lubricating in use and can easily be exchanged if necessary



Tensioning device

Tensioning device enables one person to release and re-tension. Large winch radius and anti-kink function protect the rope



Cableway carriage

Our cableway carriage is designed as a sandwich construction. The „encapsulated“ running mechanism ensures quiet operation. The installation of the carriage is possible without dismantling the rope



Special steel cable

High density steel cable made of high-strength and hot-dip galvanized wire. Stable in length, durable and allows a smooth ride of the cableway carriage



Ground anchor

All parts used for anchoring to the ground are made of hot-dip galvanized steel or stainless steel



Chains

Chains made of hot-dip galvanized steel (1.4301 / 1.4571 at extra charge) welded before galvanising, short-linked, without eyelets on the connecting parts, easy to exchange and shorten



For more detailed explanation of the quality characteristics see price list.

Cross beams made of hot-dip galvanized steel

Dimensions

(small deviations possible)

Height	3.80 m
Length	32.60 m
Width	3.00 m
Height of cable	2.75 m
Length of cable	34 m
Weight	1000 kg



L6.01050

Play value

Round spring platforms are mounted on strong, low springs. It is not only fun to jump on them, but one can jump off the disc in any direction, as from a spring-board. The momentum which is enforced by the springs propels the jumping child quite far. Jumping from one disc to the other represents a special sequence of movements and a challenge for small children.



Photo © Daniel Perales



Photo © Barbara Evripidou

Fundamental characteristics

- Wooden surface with natural structure for a good grip
- Incentive for playing: round, low wooden plate, springs
- Movement: jumping up and down, jumping off, hopping

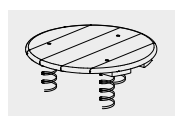
Recommended for

- Kindergarten children
- School children
- Supervised play areas, such as kindergartens, schools, after-school programmes or similar
- Public play areas without supervision, such as playgrounds, parks or similar
- Swimming pools without supervision, such as outdoor pools, adventure pools or similar

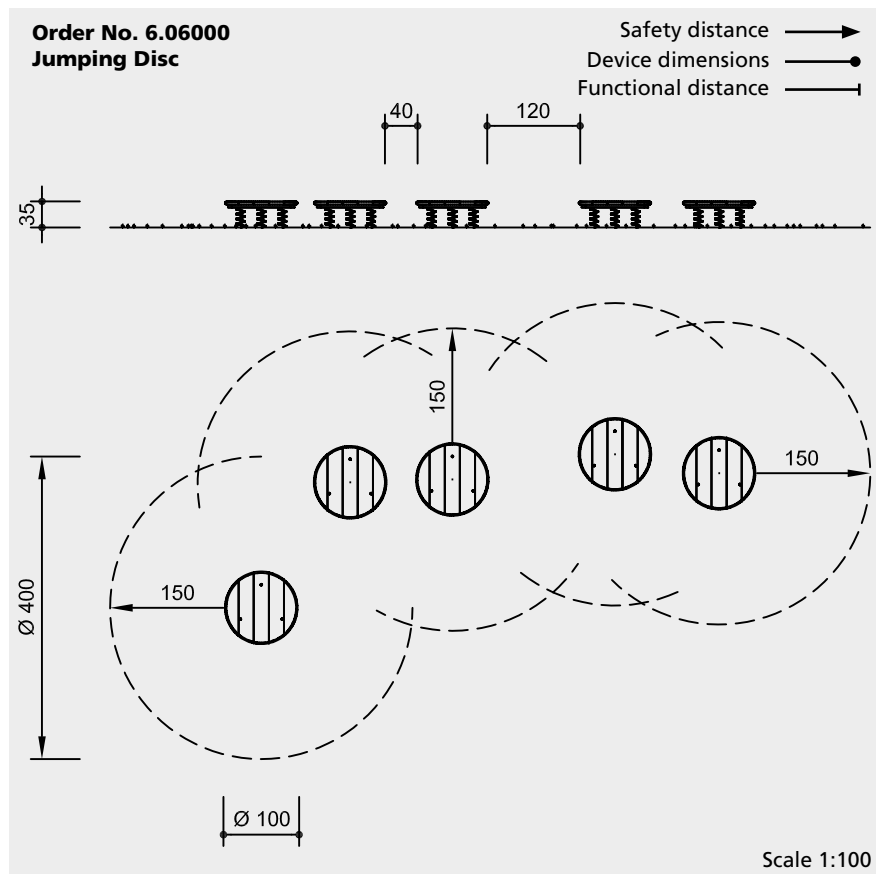
Planning information

The installation of at least two Jumping Discs is recommended.

Jumping Disc



6.06000



Safety check according to DIN EN 1176

Components

- 1 Disc complete with 3 springs
- 1 Pre-fabricated concrete foundation

Installation information

Surfacing requirements corresponding to a fall height of ≤ 0.60 m (please refer to price list for more detailed information)

Foundations
Excavation for pre-fabricated concrete foundation $\varnothing 1.00$ m x 0.15 m
For installation in loose material, an additional anchorage in concrete is necessary on-site.

Attention:
Exact measurements may vary, for all installation dimensions refer to current installation instructions.
Technical changes reserved.

Technical information

Equipment made of non-impregnated mountain larch

Core-free

Sawn-timbers core-free, thus decreasing occurrences of cracking and undesired changes in shape



For more detailed explanation of the quality characteristics see price list.

Top of 45 mm boards, screwed together with expansion joints

Coated springs,
Standard colour red

Fastening elements galvanised

Dimensions

(small deviations possible)

Height	0.35 m
Diameter	1.00 m
Weight	170 kg



6.06000



Photo © Daniel Perales

Bouncing Flower



Play value

The Bouncing Flower is a movement possibility which is great fun, especially when used by several participants. It is easy to enjoy whether jumping and hopping in the same rhythm or even against the rhythm of one's neighbour. The mobile "petals" on the jumping flower are fixed by means of hinges to the centre. Each "petal" can bounce up and down thanks to springs.

Fundamental characteristics

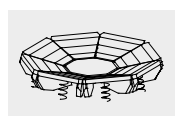
- Unique and original
- Agreeable design
- Wooden surface with natural structure for a good grip
- Incentive for playing: "petals", springs
- Movement: jumping up and down, jumping off, hopping

Recommended for

- Kindergarten children
- School children
- Public play areas without supervision, such as playgrounds, parks or similar


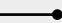
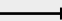
© Richter Spielgeräte GmbH 06/22

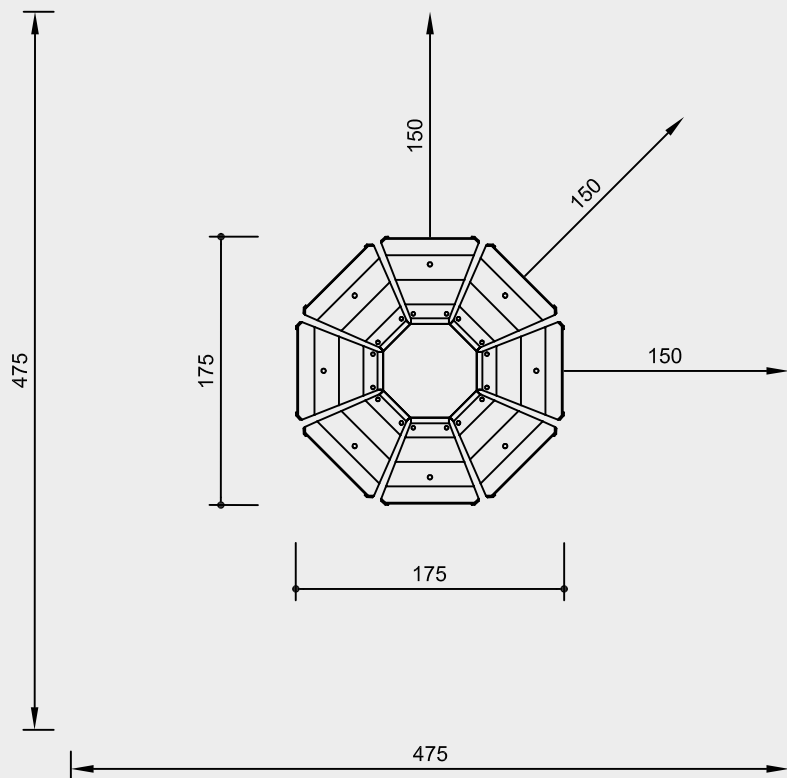
Design S. Kising / J. Weber



6.06500

Order No. 6.06500
Bouncing Flower

Safety distance 
 Device dimensions 
 Functional distance 



Scale 1:50

Safety check according to DIN EN 1176

Components

- 1 Equipment item with 8 segments mounted on springs
- 1 Foundation frame

Installation information

Surfacing requirements corresponding to a fall height of $\leq 0,60$ m (please refer to price list for more detailed information)

Foundations
 foundation frame for 8 foundations
 30 x 30 x 40 cm each
 Excavation depth 50 cm

Attention:
Exact measurements may vary;
for all installation dimensions refer to current assembly instructions.
 Technical changes reserved.

Technical information

Equipment made of non-impregnated mountain larch

Core-free

Sawn-timbers core-free, thus decreasing occurrences of cracking and undesired changes in shape



Tongue and groove

Tongue and groove planks made of 4 cm solid wood, highly resilient, no trickling of dust / sand, protection against direct rain



Sintered bush

For all reciprocating movements we use sintered plain bearings which are self-lubricating in use and can easily be exchanged if necessary



Ground anchor

All parts used for anchoring to the ground are made of hot-dip galvanised steel or stainless steel



For more detailed explanation of the quality characteristics see price list.

Coated springs,
 Standard colour red

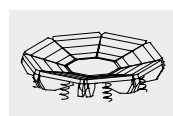
Centre plate of fluted metal sheet,
 hot-dip galvanised

Supporting frame hot-dip galvanised

Dimensions

(small deviations possible)

Height	0.25 m
Diameter	1.75 m
Weight	260 kg



6.06500



Special version, posts made of square timber



Special version, posts made of square timber

Play value

The Belt Path is an ideal play item for energetic, harmless fun. The rubber belt stretched between the support posts creates a rebound effect. Particularly interesting games can be played on it when it is stretched out over several sections up to 14 metres in length. The Belt Path is suited as equipment alongside paths, especially areas predominantly used by adolescents. They also enjoy the Belt Path as a meeting point.

Fundamental characteristics

- The interchangeable sag of the rubber fields enables the rebound effect
- The moveable middle axis avoids wear and increases play fun
- Incentive for playing: rubber surface, curiosity
- Movement: jumping, running, rolli-cking about, sitting, lying

Recommended for

- School children
- Young people
- Supervised play areas, such as kindergartens, schools, after-school programmes or similar
- Public play areas without supervision, such as playgrounds, parks or similar

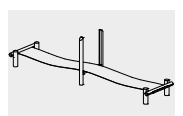


Photo © Monica Bedmar

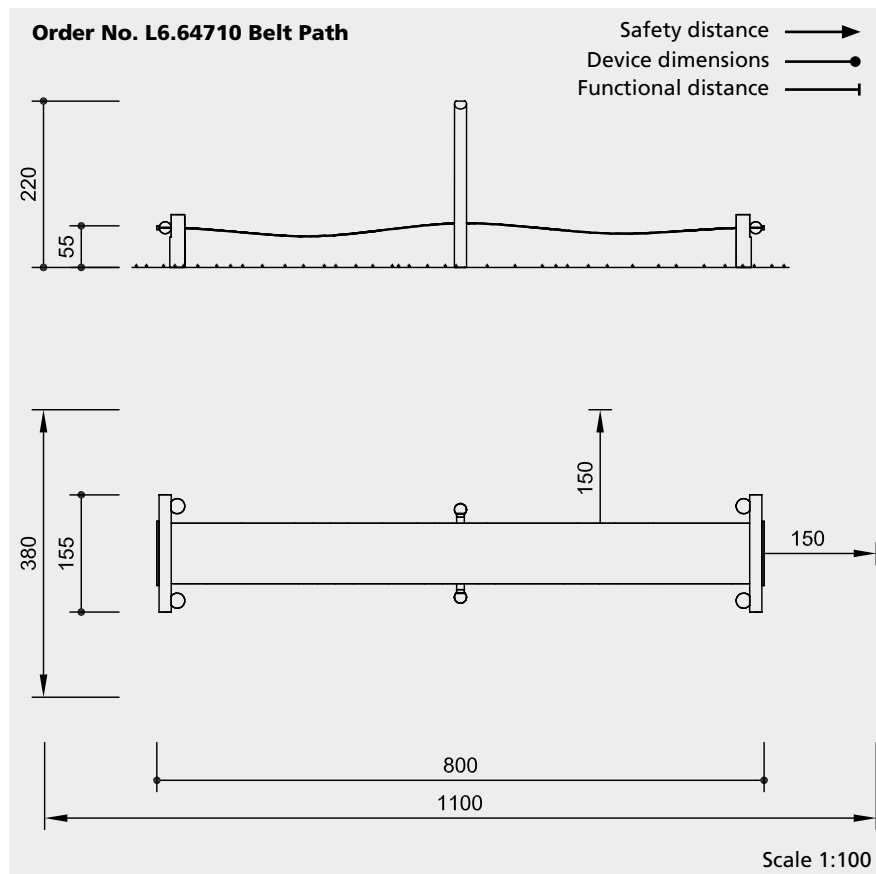
Belt Path



Special version, posts made of round timber



L6.64710



Safety check according to DIN EN 1176

Components

- 1 Walkway of double steel reinforced rubber belt
- 2 Distance timbers
- 2 End frames made of hot-dip steel tube
- 2 Cross beams made of larch
- 1 Middle frame made of larch with steel feet and roller
- 2 Distance battens

Special lengths on request

Installation information

Surfacing requirements corresponding to a fall height of ≤ 0.60 m recommendation: fall height as ≤ 1.00 m (please refer to price list for more detailed information)

Foundations
 2 items 80 x 180 x 60 cm
 Excavation depth 80 cm
 2 items 60 x 60 x 60 cm
 Excavation depth 80 cm

Attention:
Exact measurements may vary, for all installation dimensions refer to current installation instructions.
 Technical changes reserved.

Technical information

Equipment made of non-impregnated mountain larch, steel

Peeled white

Palisades peeled white means that bark, cambium and sapwood are removed, the natural shape of the trunk is preserved and can be experienced



Bevel cut

Vertical stand posts with bevelled end grain section as constructive wood preservation measure



Profiled washer

Profiled washer for covering protruding screw heads according to standard, improved pressure distribution and protection against water. Impedes loosening the bolt



Adjustable

Adjustable two-piece bolt connection, easy to maintain, no projecting threads



Interlocking

Interlocking connection, with milled metal rings or serrated disc dowels, to reinforce the bolt connection under high loads transverse to the grain direction of the wood



Steel reinforced rubber belt

Two-way steel reinforced rubber belt, total thickness approx. 11 mm, nearly indestructible



Roller bearings

Roller bearings made of stainless steel for rotating elements, easy to maintain and exchange, sealed

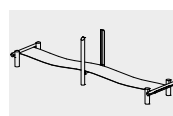


For more detailed explanation of the quality characteristics see price list.

Dimensions

(small deviations possible)

Length	8.00 m
	(possible up to 14.00 m)
Belt width	0.80 m
Thickness	11 mm
Weight	450 kg



L6.64710



Order No. 6.81000 Straight Balancing Beam



Order No. 6.51501 Rotating Beam with steel posts

Play value

The Rotating Beam is balancing equipment with a higher degree of difficulty, which requires strong, swift physical movement in order to retain balance. It stimulates children to play competitively and in groups. A 5-m-long horizontal balancing beam with rotating ends is fixed about 30 cm above the ground to supporting wooden posts. The Rotating Beam is also interesting equipment when installed alongside paths.

The Balancing Beam is a piece of gymnastic equipment that promotes body awareness and balance and above all also allows small children to experience a sense of achievement without any danger.

Fundamental characteristics

- The bearings of the beam are fitted eccentrically in order to prevent the beam from rotating too quickly. The length of the beam ensures this effect
- Incentive for playing: due to its position, almost as if by chance
- Movement: balance, body coordination

Recommended for

- Kindergarten children
- School children
- Young people
- Supervised play areas, such as kindergartens, schools, after-school programmes or similar
- Public play areas without supervision, such as playgrounds, parks or similar
- Swimming pools without supervision, such as outdoor pools, adventure pools or similar

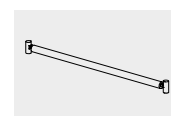


Order No. 6.81000 Straight Balancing Beam, Photo © Lucia Bartl

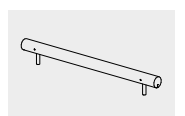
**Rotating Beam
Straight Balancing Beam**



Order No. 6.51500 Rotating Beam



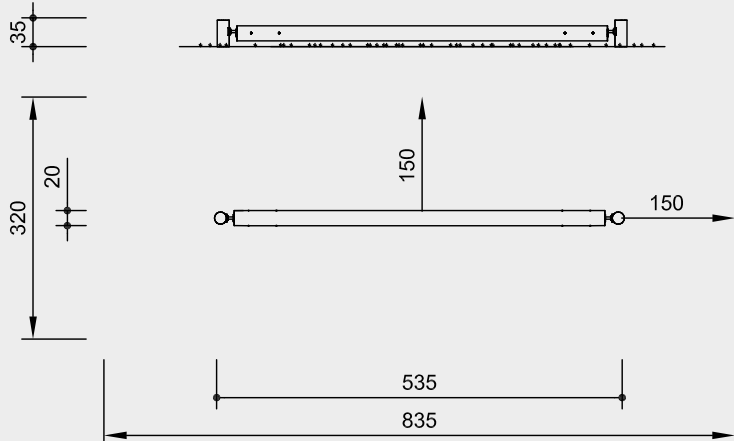
6.51500



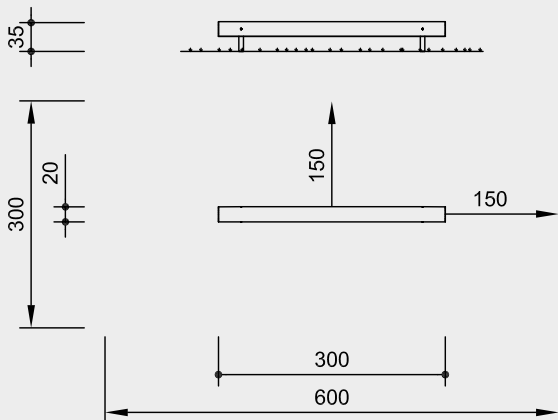
6.81000

Order No. 6.51500
Rotating Beam

Safety distance 
Device dimensions 
Functional distance 



Order No. 6.81000
Straight Balancing Beam



Scale 1:100

Safety check according to DIN EN 1176

Components

Order No. 6.51500
Rotating Beam

- 1 Rotating beam
- 2 Stand posts made of robinia

Order No. 6.81000
Straight Balancing Beam

- 1 Balancing beam
- 2 Hot-dip galvanised steel feet

Installation information

Surfacing requirements corresponding to a fall height of ≤ 0.60 m (please refer to price list for more detailed information)

Foundations

Order No. 6.51500

Rotating Beam
2 items 60 x 60 x 60 cm
Excavation depth 80 cm

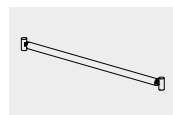
Order No. 6.81000

Straight Balancing Beam
2 items 50 x 50 x 40 cm
Excavation depth 60 cm

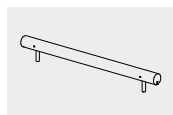
Attention:

Exact measurements may vary; for all installation dimensions refer to current assembly instructions.
Technical changes reserved.

The stand posts of the rotating beams are also available made of galvanised steel (Order No. 6.51501).



6.51500



6.81000

Technical information

Equipment made of non-impregnated mountain larch

Order No. 6.51500
Rotating Beam

Stand posts made of robinia

Peeled white

Palisades peeled white means that bark, cambium and sapwood are removed, the natural shape of the trunk is preserved and can be experienced



Relief cut

Targeted relief cut as an effective measure against cracks caused by drying. The cut defines the position of the stress equalization in the trunk and minimises natural cracking



Roller bearings

Roller bearings made of stainless steel for rotating elements, easy to maintain and exchange, sealed



Order No. 6.81000
Straight Balancing Beam

Peeled white

Palisades peeled white means that bark, cambium and sapwood are removed, the natural shape of the trunk is preserved and can be experienced



Ground anchor

All parts used for anchoring to the ground are made of hot-dip galvanised steel or stainless steel



Relief cut

Targeted relief cut as an effective measure against cracks caused by drying. The cut defines the position of the stress equalization in the trunk and minimises natural cracking



For more detailed explanation of the quality characteristics see price list.

Dimensions

(small deviations possible)

Order No. 6.51500
Rotating Beam

Height	0.35 m
Length	5.35 m
Length of beam	4.90 m
Diameter	0.20 m
Weight	150 kg

Order No. 6.81000
Straight Balancing Beam

Height	0.35 m
Length of beam	3.00 m
Diameter	0.20 m
Weight	60 kg

Play value

Blocks with unevenly positioned drillholes are strung on two parallel wires running side by side and highly tensioned. Because of the differences in height of their centres of gravity, some of the wooden blocks are sturdy or loose and wobbly. The result is a stimulating balance trail along which skill and body awareness can develop. It is also fun to have playful competitions on the blocks. The Balance Blocks can be used as an attractive play accompaniment to paths or can be easily integrated into an activity trail.



© Richter Spielgeräte GmbH 06/22

Balance Blocks

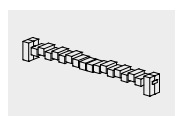
Fundamental characteristics

- Unique and original
- Each block reacts to the user and its weight according to its position on the rope
- Incentive for playing: positioning of the blocks in different heights
- Movement: balance, coordination

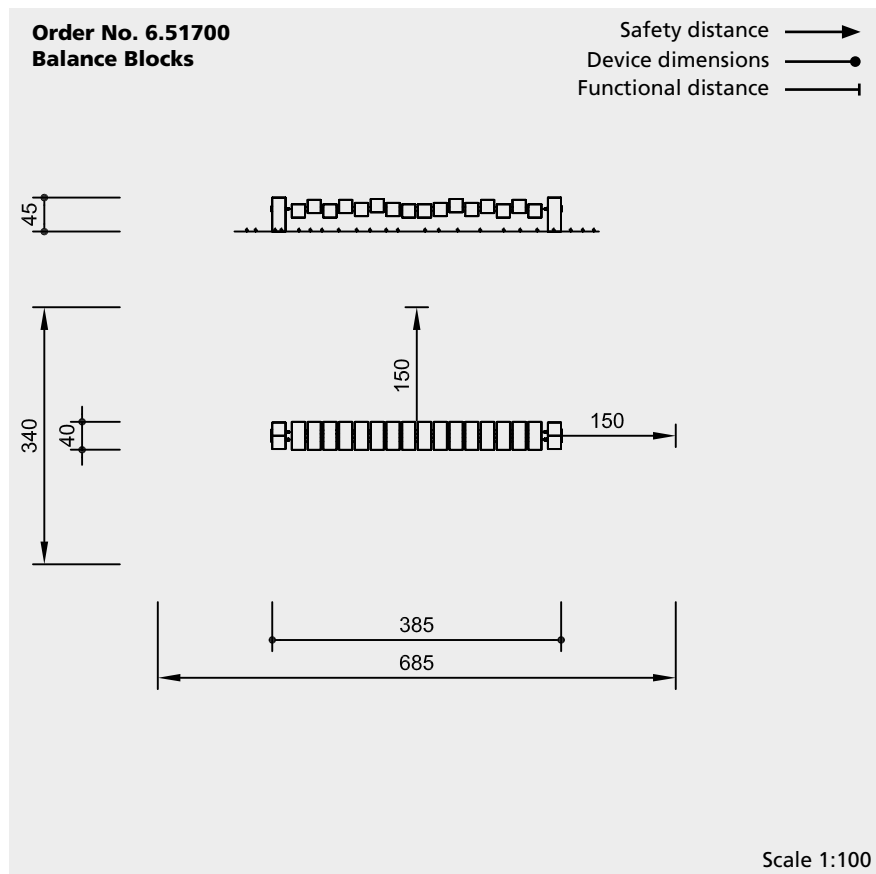
Recommended for

- Kindergarten children
- School children
- Supervised play areas, such as kindergartens, schools, after-school programmes or similar
- Public play areas without supervision, such as playgrounds, parks or similar
- Swimming pools without supervision, such as outdoor pools, adventure pools or similar

Design G. Olessak



6.51700



Safety check according to DIN EN 1176

Components

- 2 Support frames
- 1 Walkway
- 2 Square timbers for reinforcement

Installation information

Surfacing requirements corresponding to a fall height of ≤ 0.60 m

Foundations
2 items 50 x 70 x 55 cm
Excavation depth 75 cm

Attention:
Exact measurements may vary, for all installation dimensions refer to current installation instructions.
Technical changes reserved.
Support frames also available in hot-dip galvanised steel (see Order No. 6.51701).
Equipment also available made of laminated beams for hot regions (Order No. 6.51703).

Technical information

Equipment made of non-impregnated mountain larch

Core-free
Sawn-timbers core-free, thus decreasing occurrences of cracking and undesired changes in shape



Aluminium rope pressing
Aluminium rope pressing, cylindrically pressed, with rounded ends



Rope connection with joint
Close-fitting connection with joint, without dangerous openings, with sintered bush and adjustable screw connection



Adjustable
Adjustable two-piece bolt connection, easy to maintain, no projecting threads



Sintered bush
For all reciprocating movements we use sintered plain bearings which are self-lubricating in use and can easily be exchanged if necessary



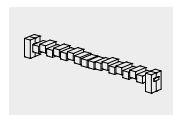
For more detailed explanation of the quality characteristics see price list.

Carrying rope \varnothing 18 mm of "Hercules type" with steel core, suspended from drop-forged joints

Dimensions

(small deviations possible)

Height	0.45 m
Length	3.85 m
Width	0.40 m
Weight	250 kg



6.51700



Photo © Paul Upward

Play value

The equipment „Climbing Ropes“ is particularly suited to make use of height changes in the landscape. Hills and dales are structured and at the same time, ground and plant are protected from play activities. The simple, but clever rope construction, makes climbing activities in both directions a playful challenge. Aluminium swages on the walking ropes allow for a firm step despite all difficulties. The Climbing Ropes represent an attracting basic element of activity trails.

Fundamental characteristics

- Unique and original
- Designed as a plant protecting climbing element with a strong attraction to children
- Incentive for playing: suspended ropes with aluminium swages
- Movement: balance, coordination

Recommended for

- School children
- Public play areas, such as playgrounds, leisure areas, youth centres, school playgrounds or similar

Note

The rope length can vary as the individual planning requires.

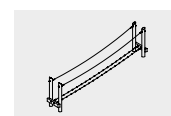


Order No. L6.51820 Climbing Ropes single element, Photo © Paul Upward

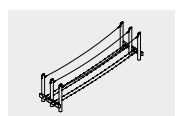
Climbing Ropes single element
Climbing Ropes double element



Order No. L6.51825 Climbing Ropes double element, Photo © Paul Upward



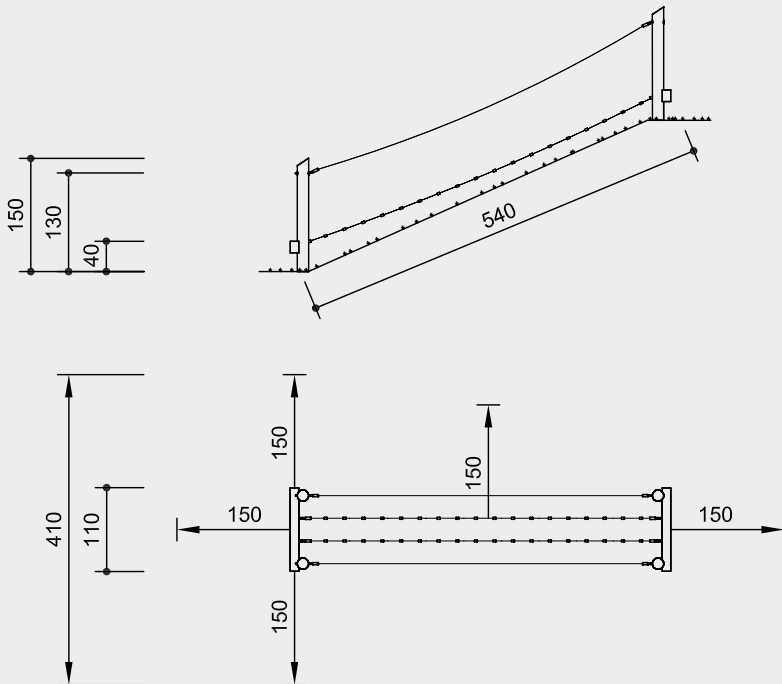
L6.51820



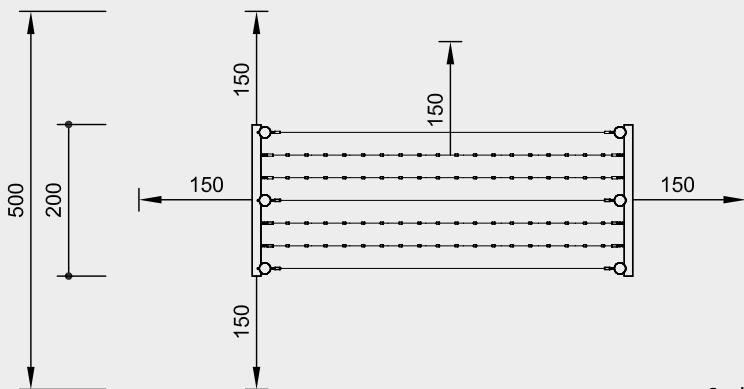
L6.51825

Order No. L6.51820
Climbing Ropes single element

Safety distance →
Device dimensions ●
Functional distance —



Order No. L6.51825
Climbing Ropes double element



Scale 1:100

Safety check according to DIN EN 1176

Components

Order No. L6.51820
Climbing Ropes single element

- 2 Support frames
- 2 Running ropes
- 2 Hand ropes

Order No. L6.51825
Climbing Ropes double element

- 2 Support frames
- 4 Running ropes
- 3 Hand ropes

Installation information

Surfacing requirements corresponding to a fall height of ≤ 0.60 m

Foundations

Order No. L6.51820
Climbing Ropes single element

2 items 60 x 150 x 60 cm
Excavation depth 80 cm

Order No. L6.51825
Climbing Ropes double element

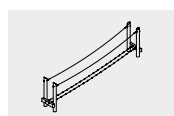
2 items 60 x 240 x 60 cm
Excavation depth 80 cm

The inclination depends on the local situation.

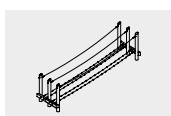
Attention:

Exact measurements may vary, for all installation dimensions refer to current installation instructions.

Technical changes reserved.



L6.51820



L6.51825

Technical information

Equipment made of non-impregnated mountain larch

Peeled white

Palisades peeled white means that bark, cambium and sapwood are removed, the natural shape of the trunk is preserved and can be experienced



Bevel cut

Vertical stand posts with bevelled end grain section as constructive wood preservation measure



Core-free

Sawn-timbers core-free, thus decreasing occurrences of cracking and undesired changes in shape



Richter Hercules type rope

Richter Hercules type rope, a combination of galvanised six-strand steel cables and polyester yarn, diameter > 20 mm, laid and glued with very good abrasion resistance, strong sheathing even in the case of damage by puncturing



Aluminium rope pressing

Aluminium rope pressing, cylindrically pressed, with rounded ends



Ground anchor

All parts used for anchoring to the ground are made of hot-dip galvanised steel or stainless steel



Stainless Chains

Chains made of steel with high corrosion resistance. Short-linked, without eyelets on the connecting parts, easily replaceable and simple shortening



Fastening of rope

Fastening of rope / net by means of adjustable chain fixation, easy assembly and maintenance



For more detailed explanation of the quality characteristics see price list.

Dimensions

(small deviations possible)

Order No. L6.51820
Climbing Ropes single element

Length	5.40 m
Width	1.10 m
Height of equipment	1.50 m
Height of running ropes	0.40 m
Height of hand ropes	1.30 m
Weight	200 kg

Order No. L6.51825
Climbing Ropes double element

Length	5.40 m
Width	2.00 m
Height of equipment	1.50 m
Height of running ropes	0.40 m
Height of hand ropes	1.30 m
Weight	320 kg



Order No. L6.51950 Balancing Rope with Holding Rope

Play value

Our hanging ropes turn simple rope structures into exciting accesses and crossings. The playful challenge of maintaining balance attracts younger and older children alike. With a combination of walking and handrail rope, the balancing rope with holding rope ensures secure footing and helps to maintain balance. Imaginative artistic movements can be tried out on the double hanging rope. Depending on individual planning, the units can be extended with additional elements.

Fundamental characteristics

- Child-friendly challenge
- Incentive for playing: balancing, role-playing game
- Movement: balance, coordination

Recommended for

- School children
- Young people
- Supervised play areas, such as kindergartens, schools, after-school programmes or similar
- Public play areas without supervision, such as playgrounds, parks or similar

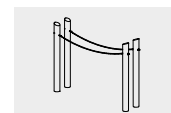


Order No. 6.51900 Double Hanging Rope, Photo © Monica Bedmar

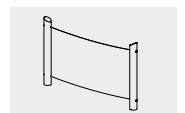
**Double Hanging Rope
Balancing Rope with Holding Rope**



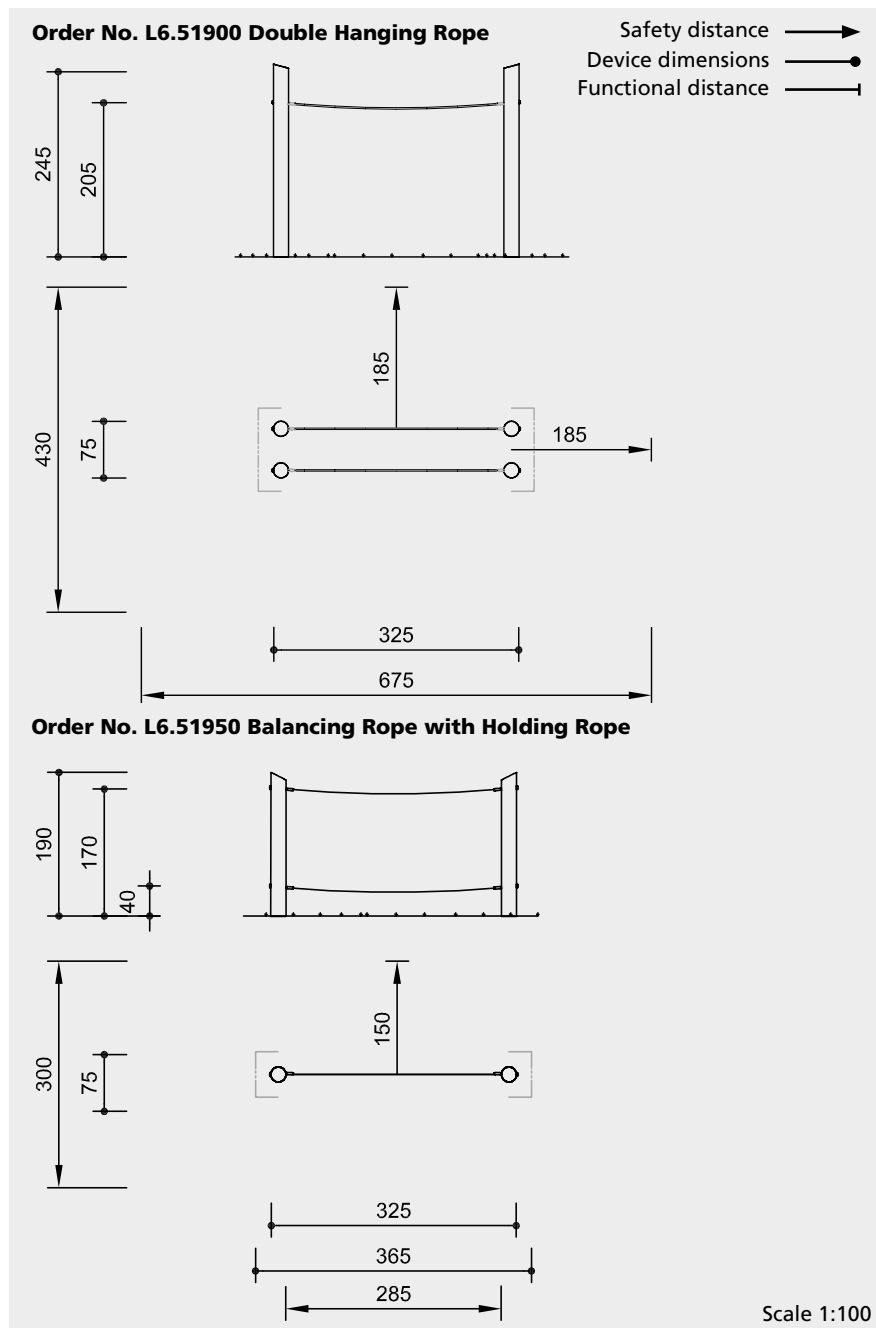
Order No. L6.51950 Balancing Rope with Holding Rope



L6.51900



L6.51950



Safety check according to DIN EN 1176

Components

Order No. L6.51900 Double Hanging Rope
 4 Support frames with steel feet
 2 Ropes

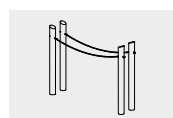
Order No. L6.51950 Balancing Rope with Holding Rope
 2 Support frames with steel feet
 2 Ropes

Installation information

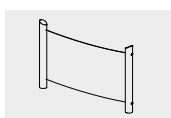
Surfacing requirements corresponding to a fall height of
Order No. L6.51900 ≤ 2.00 m
Order No. L6.51950 ≤ 0.60 m
 (please refer to price list for more detailed information)

Foundations
Order No. L6.51900
 2 items 60 x 110 x 60 cm
 Excavation depth 80 cm
Order No. L6.51950
 2 items 60 x 60 x 60 cm
 Excavation depth 80 cm

Attention:
Exact measurements may vary;
for all installation dimensions refer to current assembly instructions.
 Technical changes reserved.



L6.51900



L6.51950

Technical information

Equipment made of non-impregnated mountain larch

Peeled white

Palisades peeled white means that bark, cambium and sapwood are removed, the natural shape of the trunk is preserved and can be experienced



Bevel cut

Vertical stand posts with bevelled end grain section as constructive wood preservation measure



Richter Hercules type rope

Richter Hercules type rope, a combination of galvanised six-strand steel cables and polyester yarn, diameter > 20 mm, laid and glued with very good abrasion resistance, strong sheathing even in the case of damage by puncturing



Aluminium rope pressing

Aluminium rope pressing, cylindrically pressed, with rounded ends



Rope connection fixed

Fixed rope connection without dangerous openings. Screw connection adjustable and countersunk in the wood



Profiled washer

Profiled washer for covering protruding screw heads according to standard, improved pressure distribution and protection against water. Impedes loosening the bolt



Adjustable

Adjustable two-piece bolt connection, easy to maintain, no projecting threads



Ground anchor

All parts used for anchoring to the ground are made of hot-dip galvanised steel or stainless steel



For more detailed explanation of the quality characteristics see price list.

Dimensions

(small deviations possible)

Order No. L6.51900 Double Hanging Rope

Height	2.45 m
Attachment height	2.05 m
Length	3.25 m
Weight	180 kg

Order No. L6.51950 Balancing Rope with Holding Rope

Height	1.90 m
Height of walking ropes	0.40 m
Height of holding ropes	1.70 m
Length	3.25 m
Weight	100 kg

Play value

The Chain Path consists of carefully mounted running bars which swing harmonically under load. This interesting linking element is a challenge for skills and concentration and is a relaxation for tired feet. The Chain Path is also available as access equipment for slopes.



Photo © Jenny Halse



Photo © Barbara Evripidou



Order No. 6.52100 Free-standing Chain Path, special version with safety floor

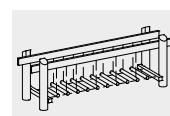
Fundamental characteristics

- The use of wood provides for a special tactile experience
- Incentive for playing: round timbers suspended on chains
- Movement: balancing, swinging, walking, coordination

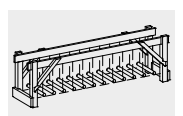
Recommended for

- Kindergarten children
- School children
- Supervised play areas, such as kindergartens, schools, after-school programmes or similar
- Public play areas without supervision, such as playgrounds, parks or similar
- Swimming pools without supervision, such as outdoor pools, adventure pools or similar

Chain Path
Free-standing Chain Path


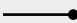
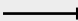


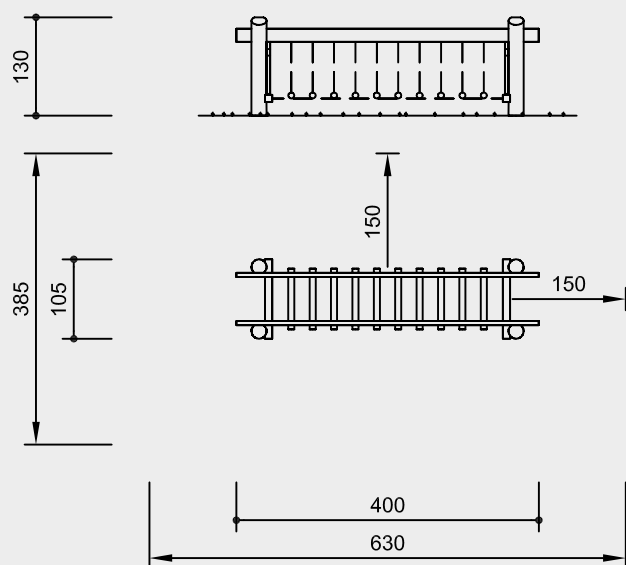
6.52000



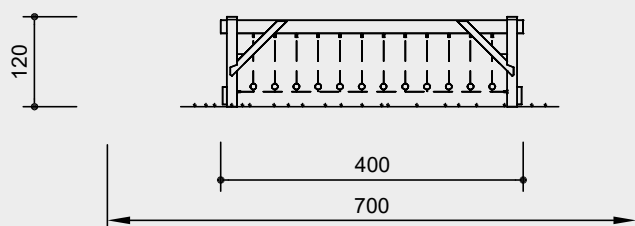
6.52100

Order No. 6.52000
Chain Path

Safety distance 
Device dimensions 
Functional distance 



Order No. 6.52100
Free-standing Chain Path



Scale 1:100

Safety check according to DIN EN 1176

Components

Order No. 6.52000
Chain Path

- 2 Support frames of round posts with steel feet
- 2 Handrails with chains and 10 running boards

Order No. 6.52100
Free-standing Chain Path

- 1 Chain Path complete with 12 running boards

Installation information

Surfacing requirements corresponding to a fall height of ≤ 0.60 m (please refer to price list for more detailed information)

Foundations

Order No. 6.52000
Chain Path

- 4 items 60 x 60 x 60 cm
- Excavation depth 80 cm

Attention:

Exact measurements may vary, for all installation dimensions refer to current installation instructions.

Technical changes reserved.

Technical information

Equipment made of non-impregnated mountain larch

Core-free

Sawn-timbers core-free, thus decreasing occurrences of cracking and undesired changes in shape



Profiled washer

Profiled washer for covering protruding screw heads according to standard, improved pressure distribution and protection against water. Impedes loosening the bolt



Adjustable

Adjustable two-piece bolt connection, easy to maintain, no projecting threads



Chains

Chains made of hot-dip galvanized steel (1.4301 / 1.4571 at extra charge) welded before galvanising, short-linked, without eyelets on the connecting parts, easy to exchange and shorten



Running boards \varnothing 80 mm

Order No. 6.52000
Chain Path

As above, but in addition with

Peeled white

Palisades peeled white means that bark, cambium and sapwood are removed, the natural shape of the trunk is preserved and can be experienced



Bevel cut

Vertical stand posts with bevelled end grain section as constructive wood preservation measure



Ground anchor

All parts used for anchoring to the ground are made of hot-dip galvanized steel or stainless steel



For more detailed explanation of the quality characteristics see price list.

Dimensions

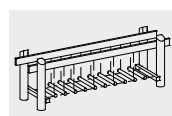
(small deviations possible)

Order No. 6.52000
Chain Path

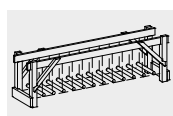
Height	1.30 m
Walking height	0.30 m
Length	4.00 m
Width	1.05 m
Weight	180 kg

Order No. 6.52100
Free-standing Chain Path

Height	1.20 m
Walking height	0.30 m
Length	4.00 m
Width	1.05 m
Weight	300 kg



6.52000



6.52100



Play value

Spatial limitation, sitting possibility, equipment for games of skills and for experiencing movements. All this is given by the „Lounging Logs“ installation. This equipment is suited to define play areas and to separate play equipment for different age groups in a positive way. In particular, alternative places to sit, are offered to young people. If someone wants to stand out, they can balance along the beams projecting on both sides. Restlessness and strain can be reduced while slightly rocking up and down on the beams. Furthermore, communication is encouraged, when several children are swinging up and down together.



Standard colour red



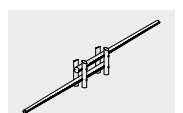
Lounging Logs

Fundamental characteristics

- Unique and original
- The conical shape of the long logs makes the installation sway
- Incentive for playing: long logs with colour accents
- Movement: balancing, swinging, sitting, rocking


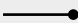
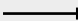
Recommended for

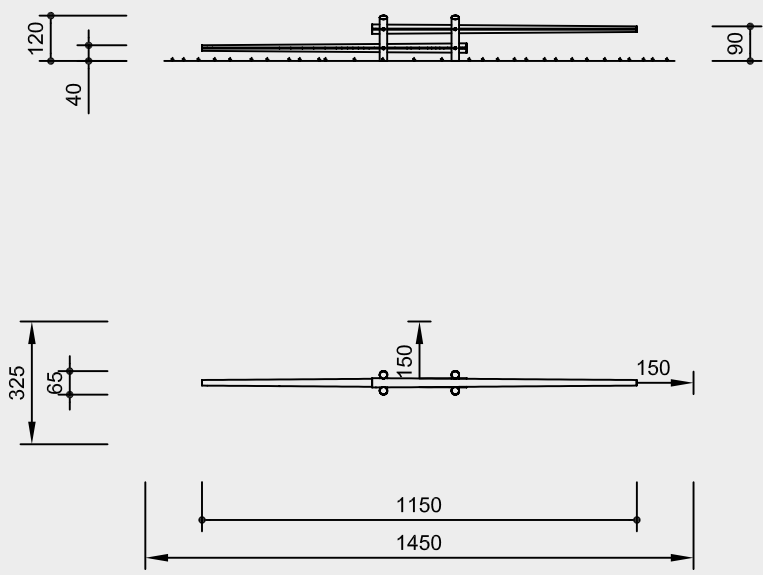
- School children
- Supervised play areas, such as kindergartens, schools, after-school programmes or similar
- Public play areas without supervision, such as playgrounds, parks or similar



7.15000

Order No. 7.15000
Lounging Logs

Safety distance 
Device dimensions 
Functional distance 



Scale 1:200

Safety check according to DIN EN 1176

Components

- 2 Beams for sitting and playing
- 4 Standing posts made of robinia

Installation information

Surfacing requirements corresponding to a fall height of ≤ 1.00 m (please refer to price list for more detailed information)

Foundations
1 item 310 x 120 x 40 cm
Excavation depth 80 cm
concrete reinforcement needs to be provided for on site

Attention:
Exact measurements may vary;
for all installation dimensions refer
to current assembly instructions.

Technical changes reserved.

Standing posts also available
made of steel (Order No. 7.15001).

Technical information

Equipment made of non-impregnated mountain larch / robinia

Peeled white

Palisades peeled white means that bark, cambium and sapwood are removed, the natural shape of the trunk is preserved and can be experienced



Bevel cut

Vertical stand posts with bevelled end grain section as constructive wood preservation measure



Interlocking

Interlocking connection, with milled metal rings or serrated disc dowels, to reinforce the bolt connection under high loads transverse to the grain direction of the wood



Relief cut

Targeted relief cut as an effective measure against cracks caused by drying. The cut defines the position of the stress equalization in the trunk and minimises natural cracking



For more detailed explanation of the quality characteristics see price list.

Connection of horizontal beams to the support posts according to static requirements

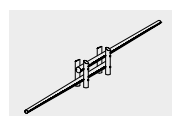
Colour

Solvent-free acrylic paints are used for colouring; the wood is processed in a way which allows the structure of the wood to remain clearly visible, standard colour red

Dimensions

(small deviations possible)

Height	1.20 m
Length	11.50 m
Length of beams for playing	7.00 m
Width	0.65 m
Weight	650 kg



7.15000



Play value

A new level of exercise is created by simply stretching a line. Leaving the normally solid ground beneath you, suddenly poses completely new challenges. The continuous forward movement makes first mastering the capricious system a must. Playing companions or an accompanying person can offer a fixed point for the tightrope walker at the beginning to help them conquer the balancing act. The continuously evasive line pushes the acrobat towards increasingly successful methods to triumph over the unsteadiness in free space. It quickly becomes clear that continuous balancing movements and control over the body's centre of gravity are the decisive skills needed to accomplish forward movement. Progressive exercises with backward movement, knee stands or an inclined line remain an option for the practised user.

Fundamental characteristics

- Intensification of standard balancing offers
- Promotes complex physical control
- Movement: equilibrium, body tension, balance

Recommended for

- School children
- Supervised play areas, such as schools, after-school programmes or similar
- Public play areas without supervision, such as playgrounds, parks or similar
- Swimming pools without supervision, such as outdoor pools, adventure pools or similar

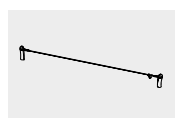


Slackline

Notes

In unsupervised public areas, it may be the operator's duty to maintain safety. Please pay attention to local regulations. If the slackline system is installed permanently, we recommend the following maintenance measures:

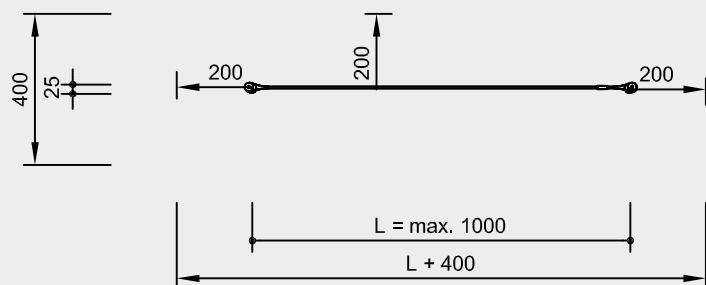
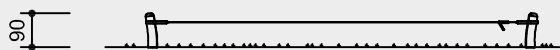
- Inspecting the slackline on a regular basis (at least once a week)
- Installing a multilingual information board with instructions for proper use of the system (1 person at a time, max. weight 150 kg, no manipulation of the system, phone number for reporting damage, etc.)
- Legal disclaimer for cases of improper use
- Securing the ratchet with a padlock



7.15500

Order No. 7.15500
Slackline

Safety distance 
Device dimensions 
Functional distance 



Scale 1:200

Safety check according to DIN EN 1176

Components

- 2 Stand posts
- 1 Belt with fastening material, capacity up to 150 kg
- 1 Padlock as safety device for the ratchet

Installation information

Surfacing requirements corresponding to a fall height of ≤ 1.00 m (please refer to price list for more detailed information)

Recommendation:
Lawn, sand, gravel or wood chips

Foundations
2 items 100 x 100 x 100 cm
Excavation depth 120 cm

Attention:
Exact measurements may vary; for all installation dimensions refer to current assembly instructions.
Technical changes reserved.
Equipment also available with steel posts (Order No. 7.15600).

Technical information

Equipment made of robinia

Peeled white

Palisades peeled white means that bark, cambium and sapwood are removed, the natural shape of the trunk is preserved and can be experienced



Bevel cut

Vertical stand posts with bevelled end grain section as constructive wood preservation measure



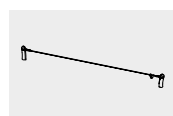
For more detailed explanation of the quality characteristics see price list.

Textile belt,
Standard colour blue

Dimensions

(small deviations possible)

Distance between posts	up to 10 m possible
Belt strap width	50 mm
Weight	130 kg



7.15500

Play value

The broad pitch of the roof shelters a small rope structure in which children can sit or lie together. Gentle rocking creates a pleasant, relaxing movement of the net. The rope nest offers small and larger children a place to retreat or to relax and watch the world go by.



Photo © Valentin Luthiger



© Richter Spielgeräte GmbH 06/22

Design G. Beltzig

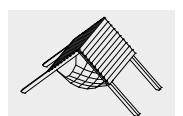
Rope Nest

Fundamental characteristics

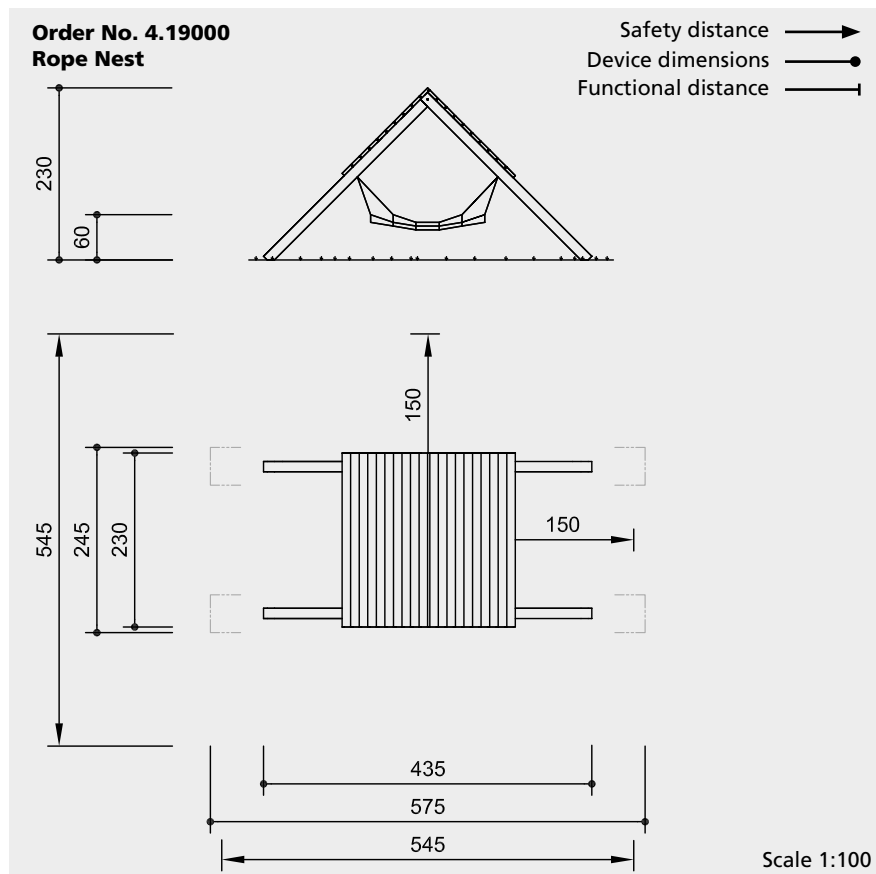
- Child proportions according to ergonomic knowledge
- Shelter
- Attractive meeting point
- Incentive for playing: role-playing games, hide, observe

Recommended for

- Kindergarten children
- Supervised play areas, such as kindergartens, schools, after school programmes or similar
- Public play areas without supervision, such as playgrounds, parks or similar



4.19000



Safety check according to DIN EN 1176

Components

- 1 Two-part roof construction with steel feet
- 1 Rope nest with suspension

Installation information

Surfacing requirements corresponding to a fall height of ≤ 0.60 m (please refer to price list for more detailed information)

Foundations
4 items 50 x 80 x 60 cm
Excavation depth 80 cm

Attention:
Exact measurements may vary, for all installation dimensions refer to current installation instructions.
Technical changes reserved.

Technical information

Equipment made of non-impregnated mountain larch

Core-free

Sawn-timbers core-free, thus decreasing occurrences of cracking and undesired changes in shape



Tongue and groove

Tongue and groove planks made of 4 cm solid wood, highly resilient, no trickling of dust / sand, protection against direct rain



Hercules rope

Hercules rope, for spliced net connections. A compound of steel rope for the core and polyester or polyamide yarn for the sheath. High abrasion resistance, 4 or 6 strands



Aluminium rope pressing

Aluminium rope pressing, cylindrically pressed, with rounded ends



S-connectors

S-connectors $\varnothing 8.1$ mm, made of high-quality stainless steel, rounded



Ground anchor

All parts used for anchoring to the ground are made of hot-dip galvanised steel or stainless steel



For more detailed explanation of the quality characteristics see price list.

Fittings hot-dip galvanised

Dimensions

(small deviations possible)

Height	2.30 m
Length	4.35 m
Width	2.30 m
Weight	400 kg



4.19000



Play value

The wooden posts of the Rope Pyramid carry and virtually protect a net structure in which children love to sit or lie together. They also enjoy climbing to the top of this attractive piece of equipment via the nets. And the balancing rope below the open front of the net structure invites them to carry out little acrobatic exercises and promotes their sense of balance.

Fundamental characteristics

- Child-oriented dimensions according to ergonomic criteria
- Very appealing design
- Movement: climbing, sitting, balancing

Recommended for

- School children
- Young people
- Supervised play areas, such as kindergartens, schools, after-school programmes or similar
- Public play areas without supervision, such as playgrounds, parks or similar
- Leisure parks



Rope Pyramid


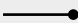
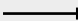
Notice

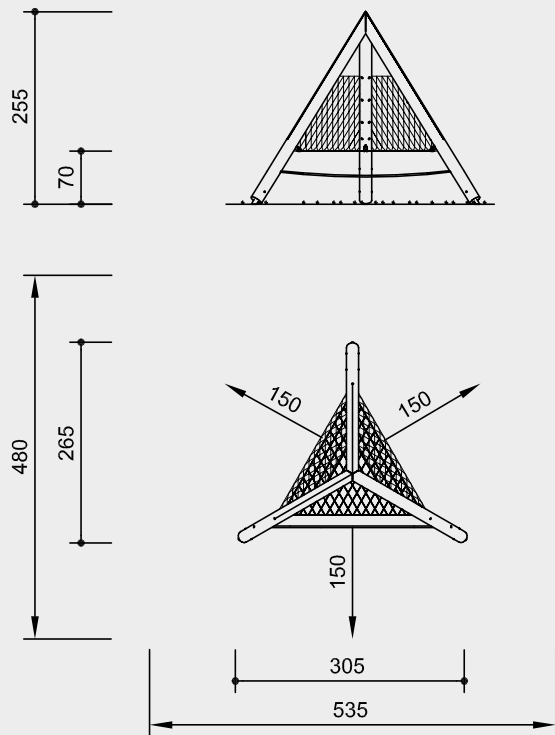
The image above is an example of the installation in a **non**-public area. In public areas, the Surfacing must correspond to a fall height of ≤ 2.00 m. In addition, the height of the net upper edge is different (see technical information on the reverse side).



4.19200

Order No. 4.19200 Rope Pyramid

Safety distance 
 Device dimensions 
 Functional distance 



Scale 1:100

Safety check according to DIN EN 1176

Components

- 3 Stand posts with steel feet
- 3 Small meshed nets
- 1 Climbing rope

Installation information

Surfacing requirements corresponding to a fall height of ≤ 2.00 m (please refer to price list for more detailed information)

Foundation
 3 items 60 x 60 x 50 cm
 Excavation depth 70 cm

Attention:
Exact measurements may vary; for all installation dimensions refer to current assembly instructions.
 Technical changes reserved.

Technical information

Equipment made of non-impregnated mountain larch

Peeled white

Palisades peeled white means that bark, cambium and sapwood are removed, the natural shape of the trunk is preserved and can be experienced



Profiled washer

Profiled washer for covering protruding screw heads according to standard, improved pressure distribution and protection against water. Impedes loosening the bolt



Ground anchor

All parts used for anchoring to the ground are made of hot-dip galvanised steel or stainless steel



Climbing rope:

Richter Hercules type rope

Richter Hercules type rope, a combination of galvanised six-strand steel cables and polyester yarn, diameter > 20 mm, laid and glued with very good abrasion resistance, strong sheathing even in the case of damage by puncturing



Aluminium rope pressing

Aluminium rope pressing, cylindrically pressed, with rounded ends



Net structure:

Hercules rope

Hercules rope, for spliced net connections. A compound of steel rope for the core and polyester or polyamide yarn for the sheath. High abrasion resistance, 4 or 6 strands



S-connectors

S-connectors $\varnothing 8.1$ mm, made of high-quality stainless steel, rounded



For more detailed explanation of the quality characteristics see price list.

Dimensions

(small deviations possible)

Height	2.55 m
Height of net	0.70 m
Length	3.05 m
Width	2.70 m
Weight	180 kg



4.19200



Play value

Climbing, crawling inside or crawling through: the Climbing Loom offers children from three years of age various opportunities to test out their agility but also to hide in one of the spaces between the logs. Skill is required to manoeuvre through the Loom of logs like a snake.

Fundamental characteristics

- Logs arranged like a loom
- Peepholes at the side
- Movement: climbing up and around, crawling

Recommended for

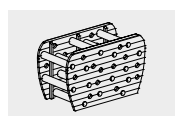
- Kindergarten children
- School children
- Supervised play areas, such as kindergartens, schools, after-school programmes or similar
- Public play areas without supervision, such as playgrounds, parks or similar



Climbing Loom

© Richter Spielgeräte GmbH 06/22

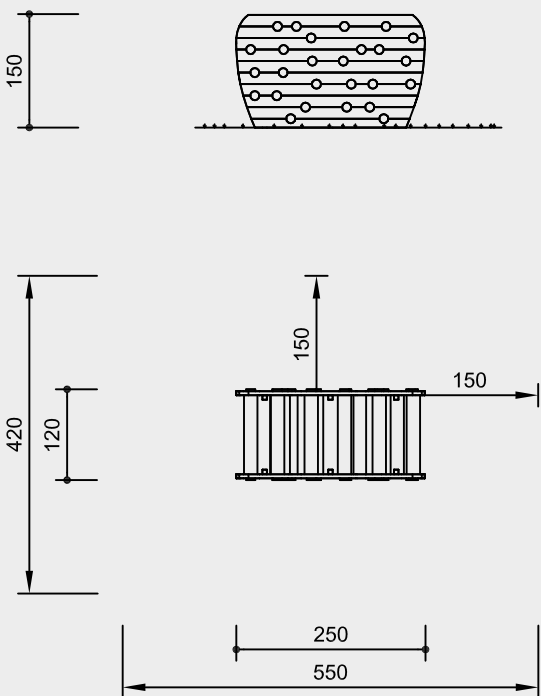
Design K. Van Gestel



4.20000

Order No. 4.20000
Climbing Loom

Safety distance 
 Device dimensions 
 Functional distance 



Scale 1:100

Safety check according to DIN EN 1176

Components

- 1 Climbing loom complete with 4 steel feet

Installation information

Surfacing requirements corresponding to a fall height of ≤ 1.50 m (please refer to price list for more detailed information)

Foundations
 4 items 50 x 50 x 40 cm
 Excavation depth 80 cm

Attention:
Exact measurements may vary;
for all installation dimensions refer to current assembly instructions.
 Technical changes reserved.

Technical information

Equipment made of non-impregnated mountain larch

Peeled white

Palisades peeled white means that bark, cambium and sapwood are removed, the natural shape of the trunk is preserved and can be experienced



Core-free

Sawn-timbers core-free, thus decreasing occurrences of cracking and undesired changes in shape



Ground anchor

All parts used for anchoring to the ground are made of hot-dip galvanised steel or stainless steel

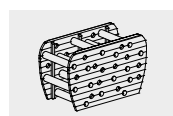


For more detailed explanation of the quality characteristics see price list.

Dimensions

(small deviations possible)

Height	1.50 m
Length	2.50 m
Width	1.20 m
Weight	550 kg



4.20000

Play value

Our Climbing Stack, made of debarked round timber, attracts attention and interest even from a distance. Thanks to different levels, large numbers of children can play together in a small space: the Climbing Stack allows for a flowing play rhythm even if lots of children spontaneously want to play. The Climbing Stack isn't just for climbing, experiencing heights and exploring the senses using hands and feet, it's also an attractive seating area, where the children can rest, chat and observe.



© Richter Spielgeräte GmbH 06/22

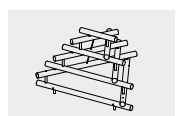
Climbing Stack 1

Fundamental characteristics

- Impressive design statement
- Very special appeal
- Attractive meeting point
- No pre-determined play procedures, also able to be used as stands for spectators, individual mastering
- Incentive for playing: experiencing height
- Movement: climbing up and around, balancing

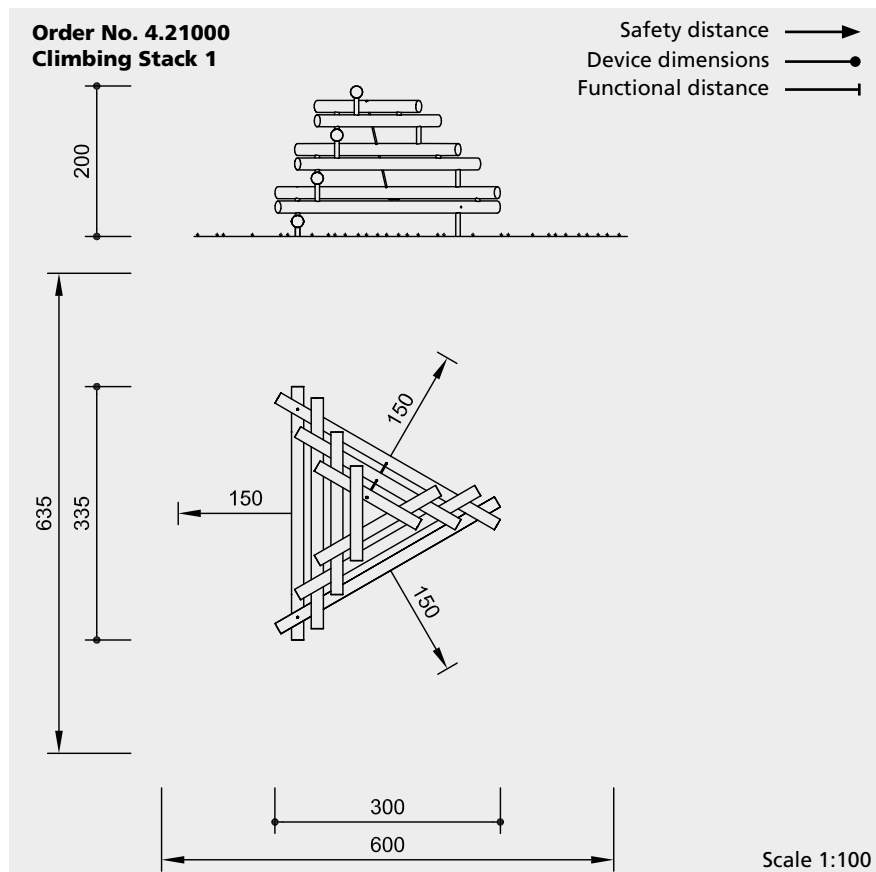
Recommended for

- School children
- Young people
- Supervised play areas, such as kindergartens, schools, after-school programmes or similar
- Public play areas without supervision, such as playgrounds, parks or similar



4.21000

Design F. Dorband / K. H. Thiele



Safety check according to DIN EN 1176

Components

- 10 Round logs with 3 steel feet
- 1 Holding rope

Installation information

Surfacing requirements corresponding to a fall height of ≤ 2.00 m (please refer to price list for more detailed information)

Foundations
2 items 50 x 50 x 50 cm
Excavation depth 70 cm
1 item 60 x 60 x 30 cm
Excavation depth 50 cm

Attention:
Exact measurements may vary; for all installation dimensions refer to current assembly instructions.

We reserve the right to make technical alterations!

Technical information

Equipment made of non-impregnated mountain larch

Peeled white

Palisades peeled white means that bark, cambium and sapwood are removed, the natural shape of the trunk is preserved and can be experienced



Richter Hercules type rope

Richter Hercules type rope, a combination of galvanised six-strand steel cables and polyester yarn, diameter > 20 mm, laid and glued with very good abrasion resistance, strong sheathing even in the case of damage by puncturing



Profiled washer

Profiled washer for covering protruding screw heads according to standard, improved pressure distribution and protection against water. Impedes loosening the bolt



Adjustable

Adjustable two-piece bolt connection, easy to maintain, no projecting threads



Ground anchor

All parts used for anchoring to the ground are made of hot-dip galvanised steel or stainless steel



Relief cut

Targeted relief cut as an effective measure against cracks caused by drying. The cut defines the position of the stress equalization in the trunk and minimises natural cracking



For more detailed explanation of the quality characteristics see price list.

Dimensions

(small deviations possible)

Height	2.00 m
Length	3.00 m
Width	3.35 m
Weight	460 kg



4.21000

Play value

Our Climbing Stack, made of debarked round timber, attracts attention and interest even from a distance. Thanks to different levels, large numbers of children can play together in a small space: the Climbing Stack allows for a flowing play rhythm even if lots of children spontaneously want to play. The Climbing Stack isn't just for climbing, experiencing heights and exploring the senses using hands and feet, it's also an attractive seating area, where the children can rest, chat and observe.



Special version with installed suspension bridge



Special version with installed suspension bridge

Climbing Stack 3

Fundamental characteristics

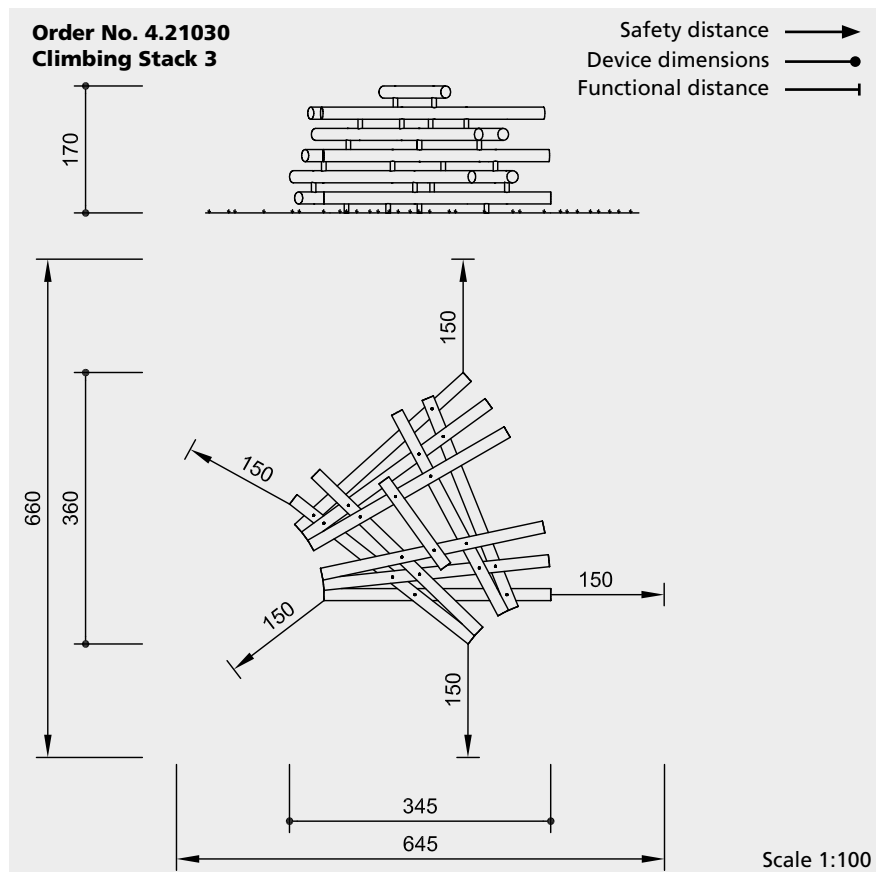
- Impressive design statement
- Very special appeal
- Attractive meeting point
- No pre-determined play procedures, also able to be used as stands for spectators, individual mastering
- Incentive for playing: experiencing height
- Movement: climbing up and around, balancing

Recommended for

- School children
- Young people
- Supervised play areas, such as kindergartens, schools, after-school programmes or similar
- Public play areas without supervision, such as playgrounds, parks or similar



4.21030



Safety check according to DIN EN 1176

Components

11 Round logs
with 4 steel feet

Installation information

Surfacing requirements
corresponding to a fall height of ≤ 2.00 m
(please refer to price list for more
detailed information)

Foundations
4 items 50 x 50 x 50 cm
Excavation depth 70 cm

Attention:
Exact measurements may vary;
for all installation dimensions refer
to current assembly instructions.
Technical changes reserved.

Technical information

Equipment made of non-impregnated
mountain larch

Peeled white

Palisades peeled white means that bark,
cambium and sapwood are removed,
the natural shape of the trunk is
preserved and can be experienced



Profiled washer

Profiled washer for covering protruding
screw heads according to standard,
improved pressure distribution and
protection against water. Impedes
loosening the bolt



Ground anchor

All parts used for anchoring to the
ground are made of hot-dip galvanised
steel or stainless steel



Relief cut

Targeted relief cut as an effective measure
against cracks caused by drying.
The cut defines the position of the stress
equalization in the trunk and minimises
natural cracking

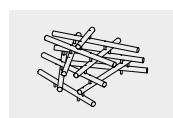


**For more detailed explanation of the
quality characteristics see price list.**

Dimensions

(small deviations possible)

Height	1.70 m
Length	3.45 m
Width	3.60 m
Weight	650 kg



4.21030

Play value

Our Climbing Stack, made of debarked round timber, attracts attention and interest even from a distance. Thanks to different levels, large numbers of children can play together in a small space: the Climbing Stack allows for a flowing play rhythm even if lots of children spontaneously want to play. The Climbing Stack isn't just for climbing, experiencing heights and exploring the senses using hands and feet, it's also an attractive seating area, where the children can rest, chat and observe.



© Richter Spielgeräte GmbH 06/22

Climbing Stack 5

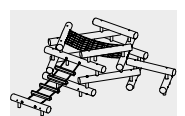
Fundamental characteristics

- Impressive design statement
- Very special appeal
- Attractive meeting point
- No pre-determined play procedures, also able to be used as stands for spectators, individual mastering
- Incentive for playing: experiencing height
- Movement: climbing up and around, balancing

Recommended for



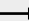
- School children
- Young people
- Supervised play areas, such as kindergartens, schools, after-school programmes or similar
- Public play areas without supervision, such as playgrounds, parks or similar

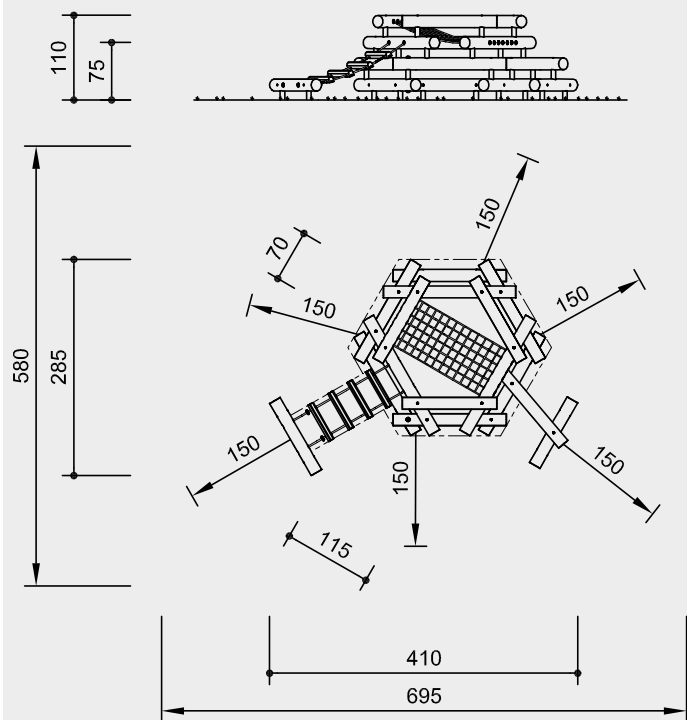
Design F. Dorband / K. H. Thiele



4.21050

Order No. 4.21050
Climbing Stack 5

Safety distance 
Device dimensions 
Functional distance 



Scale 1:100

Safety check according to DIN EN 1176

Components

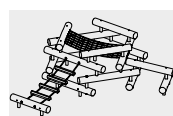
- 15 Round logs with 10 steel feet
- 1 Horizontal net
- 1 Suspension Bridge

Installation information

Surfacing requirements corresponding to a fall height of ≤ 1.50 m (please refer to price list for more detailed information)

Foundations
10 items 50 x 50 x 50 cm
Excavation depth 70 cm

Attention:
Exact measurements may vary; for all installation dimensions refer to current assembly instructions.
Technical changes reserved.



4.21050

Technical information

Equipment made of non-impregnated mountain larch

Peeled white

Palisades peeled white means that bark, cambium and sapwood are removed, the natural shape of the trunk is preserved and can be experienced



Core-free

Sawn-timbers core-free, thus decreasing occurrences of cracking and undesired changes in shape



Richter Hercules type rope

Richter Hercules type rope, a combination of galvanised six-strand steel cables and polyester yarn, diameter > 20 mm, laid and glued with very good abrasion resistance, strong sheathing even in the case of damage by puncturing



Hercules rope

Hercules rope, for spliced net connections. A compound of steel rope for the core and polyester or polyamide yarn for the sheath. High abrasion resistance, 4 or 6 strands



Aluminium rope pressing

Aluminium rope pressing, cylindrically pressed, with rounded ends



Profiled washer

Profiled washer for covering protruding screw heads according to standard, improved pressure distribution and protection against water. Impedes loosening the bolt



Adjustable

Adjustable two-piece bolt connection, easy to maintain, no projecting threads



Ground anchor

All parts used for anchoring to the ground are made of hot-dip galvanised steel or stainless steel



Stainless Chains

Chains made of steel with high corrosion resistance. Short-linked, without eyelets on the connecting parts, easily replaceable and simple shortening



Relief cut

Targeted relief cut as an effective measure against cracks caused by drying. The cut defines the position of the stress equalization in the trunk and minimises natural cracking



Fastening of rope

Fastening of rope / net by means of adjustable chain fixation, easy assembly and maintenance

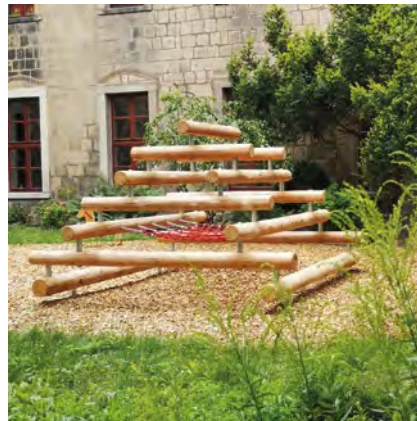


For more detailed explanation of the quality characteristics see price list.

Dimensions

(small deviations possible)

Height	1.10 m
Height of net	0.75 m
Length	4.10 m
Width	2.85 m
Net	1.15 x 0.70 m
Weight	approx 550 kg



Play value

The climbing pyramid, constructed from debarked round logs, attracts attention and interest even from a long distance away. Its popularity arises from the different levels, which encourage a whole range of different exercise and role-playing games. The individual bars can be climbed and explored, serving not only for experiencing height and for tactile experiences on hands and feet, but also as attractive seating for resting, observing and chatting. It's even more relaxed in the integrated hammock, which offers enough space for several children at the same time.

Fundamental characteristics

- Impressive design statement
- Very special appeal
- Eye-catcher of a play area
- Attractive meeting point
- Incentive for playing: curiosity, role-playing games, experiencing height
- Movement: climbing up

Recommended for

- School children
- Young people
- Supervised play areas, such as kindergartens, schools, after-school programmes or similar
- Public play areas without supervision, such as playgrounds, parks or similar

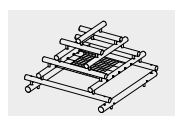


Large Climbing Pyramid




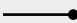
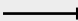
© Richter Spielgeräte GmbH 06/22

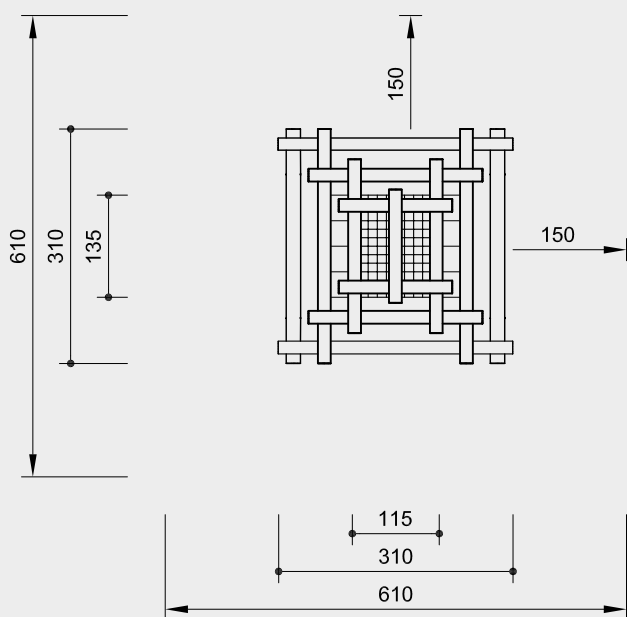
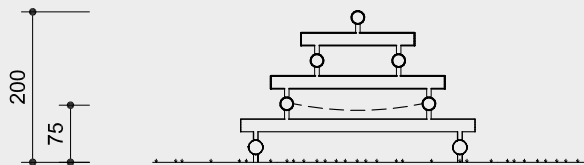
Design F. Dorband / K. H. Thiele



4.21100

Order No. 4.21100
Large Climbing Pyramid

Safety distance 
 Device dimensions 
 Functional distance 



Scale 1:100

Safety check according to DIN EN 1176

Components

- 13 Round logs with 4 steel feet
- 1 Horizontal net

Installation information

Surfacing requirements corresponding to a fall height of ≤ 2.00 m (please refer to price list for more detailed information)

Foundations
 4 items 50 x 50 x 50 cm
 Excavation depth 70 cm

Attention:
Exact measurements may vary, for all installation dimensions refer to current installation instructions.
 Technical changes reserved.

Technical information

Equipment made of non-impregnated mountain larch

Peeled white

Palisades peeled white means that bark, cambium and sapwood are removed, the natural shape of the trunk is preserved and can be experienced



Hercules rope

Hercules rope, for spliced net connections. A compound of steel rope for the core and polyester or polyamide yarn for the sheath. High abrasion resistance, 4 or 6 strands



Aluminium rope pressing

Aluminium rope pressing, cylindrically pressed, with rounded ends



Profiled washer

Profiled washer for covering protruding screw heads according to standard, improved pressure distribution and protection against water. Impedes loosening the bolt



Adjustable

Adjustable two-piece bolt connection, easy to maintain, no projecting threads



Ground anchor

All parts used for anchoring to the ground are made of hot-dip galvanised steel or stainless steel



Stainless Chains

Chains made of steel with high corrosion resistance. Short-linked, without eyelets on the connecting parts, easily replaceable and simple shortening



Relief cut

Targeted relief cut as an effective measure against cracks caused by drying. The cut defines the position of the stress equalization in the trunk and minimises natural cracking



Fastening of rope

Fastening of rope / net by means of adjustable chain fixation, easy assembly and maintenance

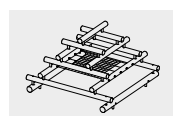


For more detailed explanation of the quality characteristics see price list.

Dimensions

(small deviations possible)

Height	2.00 m
Height of net	0.75 m
Length	3.10 m
Width	3.10 m
Net	1.35 x 1.15 m
Weight	750 kg



4.21100



Play value

The climbing pyramid, constructed from debarked round logs, attracts attention and interest even from a long distance away. Its popularity arises from the different levels, which encourage a whole range of different exercise and role-playing games. The individual bars can be climbed and explored, serving not only for experiencing height and for tactile experiences on hands and feet, but also as attractive seating for resting, observing and chatting. The smaller version of our pyramid is particularly suitable for younger children, who can follow their natural drive for discovery and gain their first climbing experience here.

Fundamental characteristics

- Impressive design statement
- Very special appeal
- Eye-catcher of a play area
- Attractive meeting point
- Incentive for playing: curiosity, role-playing games, experiencing height
- Movement: climbing up

Recommended for

- Kindergarten children
- School children
- Supervised play areas, such as kindergartens, schools, after-school programmes or similar
- Public play areas without supervision, such as playgrounds, parks, leisure parks or similar

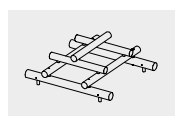


Small Climbing Pyramid




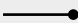
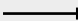
© Richter Spielgeräte GmbH 06/22

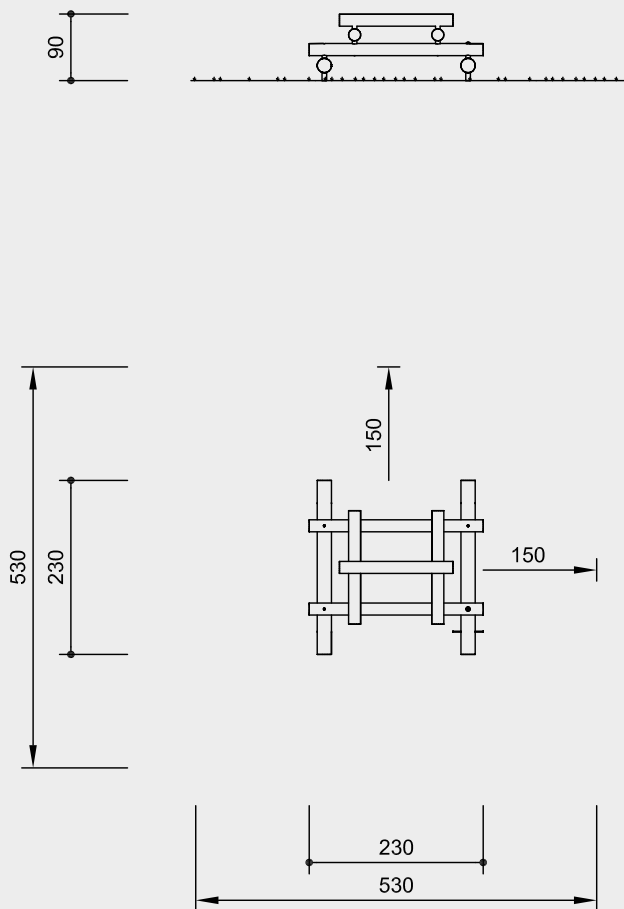
Design F. Dorband / K. H. Thiele



4.21110

Order No. 4.21110
Small Climbing Pyramid

Safety distance 
 Device dimensions 
 Functional distance 



Scale 1:100

Safety check according to DIN EN 1176

Components

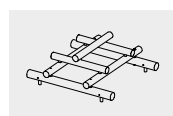
7 Round logs
 with 4 steel feet

Installation information

Surfacing requirements
 corresponding to a fall height of ≤ 1.00 m
 (please refer to price list for more
 detailed information)

Foundations each
 4 items 50 x 50 x 50 cm
 Excavation depth 70 cm

Attention:
Exact measurements may vary;
for all installation dimensions refer
to current assembly instructions.
 Technical changes reserved.



4.21110

Technical information

Equipment made of non-impregnated
 mountain larch

Peeled white

Palisades peeled white means that bark,
 cambium and sapwood are removed,
 the natural shape of the trunk is
 preserved and can be experienced



Profiled washer

Profiled washer for covering protruding
 screw heads according to standard,
 improved pressure distribution and
 protection against water. Impedes
 loosening the bolt



Adjustable

Adjustable two-piece bolt connection,
 easy to maintain,
 no projecting threads



Ground anchor

All parts used for anchoring to the
 ground are made of hot-dip galvanised
 steel or stainless steel



Relief cut

Targeted relief cut as an effective mea-
 sure against cracks caused by drying.
 The cut defines the position of the stress
 equalization in the trunk and minimises
 natural cracking



**For more detailed explanation of the
 quality characteristics see price list.**

Dimensions

(small deviations possible)

Height	0.90 m
Length	2.30 m
Width	2.30 m
Weight	250 kg



Play value

The round concrete columns build unwavering confidence, and playing in the ropes and nets between them is fun.

Climbing requires, above all, gripping skills and it allows children to strengthen their innate self-protective reflex.

Assembly is simple (concrete in in-situ concrete). In addition, **inspecting the system and checking its structural stability** is very easy compared to other systems.

The large diameter of the **concrete columns** ensures durability. So the main purpose of concrete column checks is to determine whether the stability of the columns has been affected by vandalism.

All ropes and fittings are of proven Richter quality and can be inspected easily.

Safety

The Rope Course is delivered according to the current European Standard for Play Equipment, DIN EN 1176.

A safety inspection and safety approval can be carried out following installation on-site. As laid down in the standard, there is no free fall height of more than 3 m.

Delivery and assembly take place in 2 steps:

1. Ground works
2. Assembly of concrete columns and playground equipment

Order No.6.49010 / 6.49020

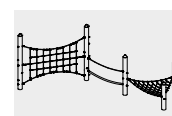
Utility Model

20 2016 106 097 Germany

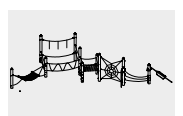


**Rope Course
Combination Elements**

© Richter Spielgeräte GmbH 06/22



6.49010



6.49020

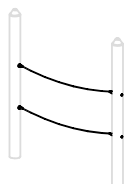
The following section shows you the individual elements from which our rope course can be combined. We would be pleased to create plans for your individual rope course.



Order No. 6.49100 ff.
Concrete column diameter 25 cm
Order No. 6.49100, Length 350 cm
Order No. 6.49101, Length 250 cm
Order No. 6.49102, Length 170 cm



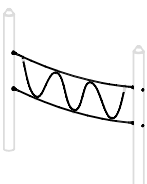
Order No. 6.49103
Climbing Grip per item



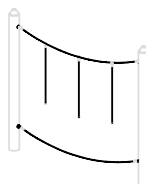
Order No. 6.49108
Walk Rope with Hand Rope 3 m
Order No. 6.49109
Walk Rope with Hand Rope 4 m



Order No. 6.49112
PP Walk Rope with Hand Rope 3 m
Order No. 6.49113
PP Walk Rope with Hand Rope 4 m



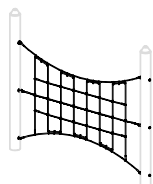
Order No. 6.49114 ff.
Parallel Rope, various types



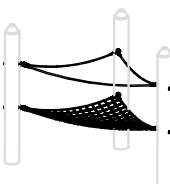
Order No. 6.49120
Grip Ropes with Walk Rope 3 m
Order No. 6.49121
Grip Ropes with Walk Rope 4 m



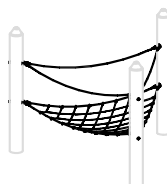
Order No. 6.49122
Spider's Web 3 m



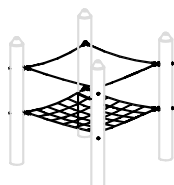
Order No. 6.49123
Vertical Climbing Net 4 m



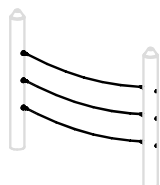
Order No. 6.49124
Triangular Net, fine-meshed without Hand Ropes
Order No. 6.49125
with Hand Ropes



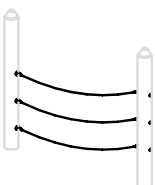
Order No. 6.49132
Triangular Net, wide-meshed without Hand Ropes
Order No. 6.49133
with Hand Ropes



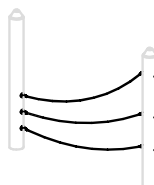
Order No. 6.49126
Square Net without Hand Ropes up to 99 cm height
Order No. 6.49127
with Hand Ropes



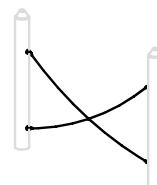
Order No. 6.49128
Triple Rope 3 m horizontal



Order No. 6.49129
Triple Rope 3 m slightly ascending



Order No. 6.49130
Triple Rope 3 m strongly ascending



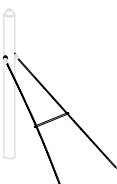
Order No. 6.49131
Crossed Rope 3 m



Order No. 6.49138
Firemen's Pole



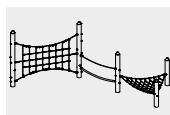
Order No. 6.49139
Whisk



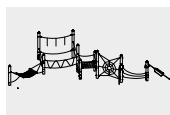
Order No. 6.49140
Rope Bar



Order No. 6.49141
Hammock



6.49010

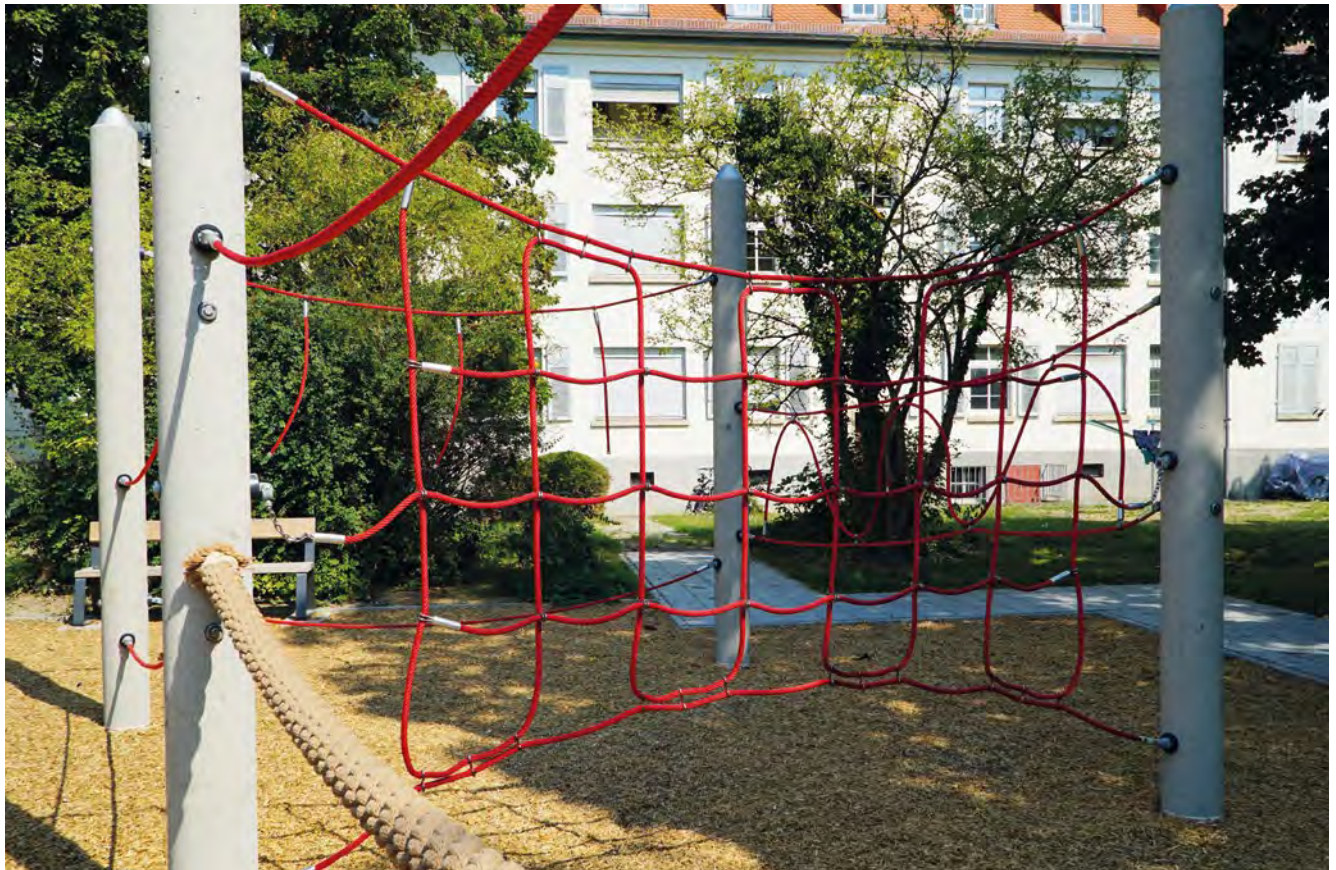


6.49020

Play value

Thanks to its various vertical and horizontal net structures, the Rope Course is an exiting challenge for active children and young people who love to try out their acrobatic skills. As the posts and ropes provide enough space to accommodate large numbers of children at the same time, the course is well suited for heavily frequented playgrounds.

Horizontal nets invite the rope climbing enthusiasts to take a little break before taking on other challenges.



© Richter Spielgeräte GmbH 06/22

Rope Course Type 01

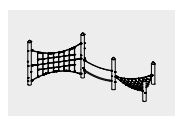
Encouraged by their play instinct, everyone will have the chance to conquer their favourite spot – near the ground or above the adults’ heads.

Fundamental characteristics

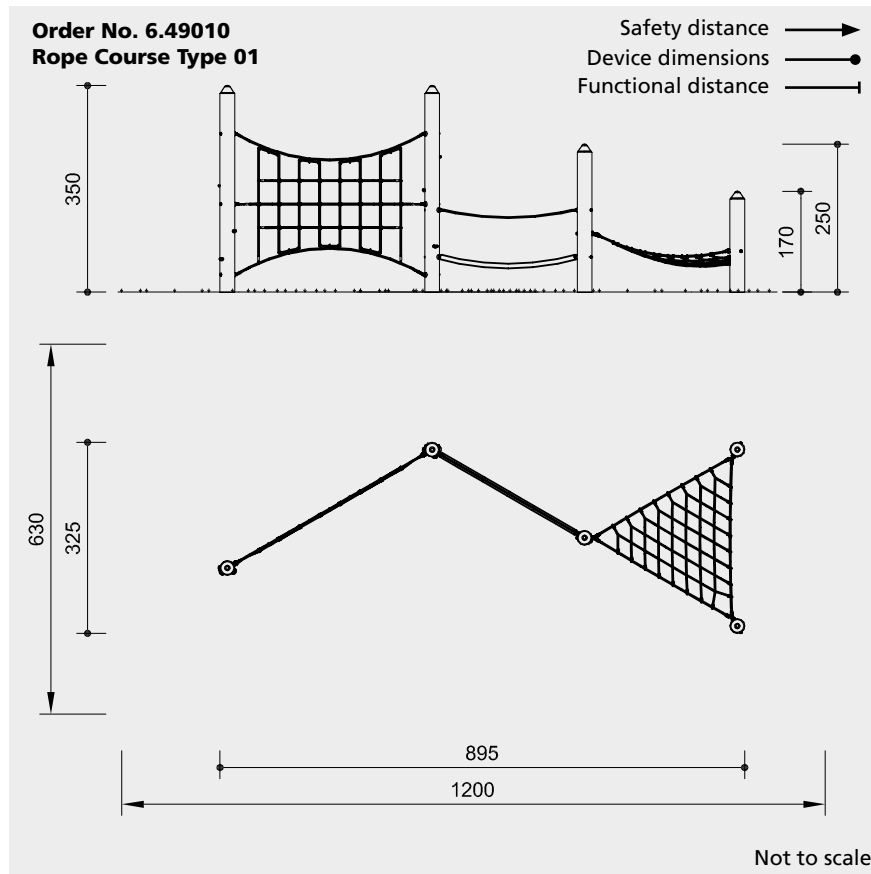
- Unique invitation for playing thanks to cylindrical concrete columns
- Practising self-protective reflexes
- Incentive for playing: various opportunities for climbing, role-playing games
- Movement: climbing, balancing

Recommended for

- School children
- Young people
- Supervised play areas, such as kindergartens, schools, after-school programmes or similar
- Public play areas without supervision, such as playgrounds, parks or similar



6.49010



Safety check according to DIN EN 1176

Components

- 5 Concrete columns
- 1 Triangular net
- 1 Vertical climbing net
- 1 PP rope with hand rope
- 6 Climbing grips

Utility Model

20 2016 106 097 Germany

Dimensions

(small deviations possible)

Height	3.50 / 2.50 / 1.70 m
Length	8.95 m
Width	3.25 m
Weight	2100 kg
Columns diameter	25 cm

Installation information

Surfacing requirements corresponding to a fall height of ≤ 2.00 m (please refer to price list for more detailed information)

Foundations

- 3 items $\varnothing 80$ x height 70 cm
- Excavation depth 90 cm
- 2 items $\varnothing 100$ x height 70 cm
- Excavation depth 90 cm

System details

- Height of columns 1.70 m, 2.50 m and 3.50 m
- Distance between columns up to 4 m
- Can be arranged in a straight line or in a zig-zag pattern
- Zig-zag line requires 30° layout
- The installation heights for the additional elements can be chosen freely
- Horizontal nets from 1 m height with hand ropes all round
- Ropes installed one above each other (e. g. balancing rope and hand rope) will always be mounted on the same axis (no side offset)
- Horizontal nets can also be installed with an inclination

Attention:

Exact measurements may vary; for all installation dimensions refer to current assembly instructions.

Technical changes reserved.

Technical information

Columns made of self-compacting concrete C 35/45, steel reinforced, $\varnothing 25$ cm, grain size 0 to 16 mm, sand-blasted surface

Richter Hercules type rope

Richter Hercules type rope, a combination of galvanised six-strand steel cables and polyester yarn, diameter > 20 mm, laid and glued with very good abrasion resistance, strong sheathing even in the case of damage by puncturing



Hercules rope

Hercules rope, for spliced net connections. A compound of steel rope for the core and polyester or polyamide yarn for the sheath. High abrasion resistance, 4 or 6 strands



Aluminium rope pressing

Aluminium rope pressing, cylindrically pressed, with rounded ends



S-connectors

S-connectors $\varnothing 8.1$ mm, made of high-quality stainless steel, rounded



Rotating rope connection

Rotatable fitting without dangerous openings, with sintered bush with integrated swivel to ensure the rope untwists



Rope connection with joint

Close-fitting connection with joint, without dangerous openings, with sintered bush and adjustable screw connection



Profiled washer

Profiled washer for covering protruding screw heads according to standard, improved pressure distribution and protection against water. Impedes loosening the bolt



Adjustable

Adjustable two-piece bolt connection, easy to maintain, no projecting threads



Sintered bush

For all reciprocating movements we use sintered plain bearings which are self-lubricating in use and can easily be exchanged if necessary



Stainless Chains

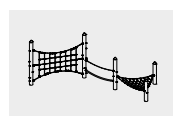
Chains made of steel with high corrosion resistance. Short-linked, without eyelets on the connecting parts, easily replaceable and simple shortening



For more detailed explanation of the quality characteristics see price list.

Cone tip made of stainless steel

Professional climbing grips made of a mixture of sand/synthetic resin with 100% safe anti-rotation system against unintended twisting of the grips



6.49010

Play value

Thanks to its various vertical and horizontal net structures, the Rope Course is an exiting challenge for active children and young people who love to try out their acrobatic skills. As the posts and ropes provide enough space to accommodate large numbers of children at the same time, the course is well suited for heavily frequented playgrounds. Horizontal nets invite the rope climbing enthusiasts to take a little break before taking on other challenges.



The standard colour of ropes red

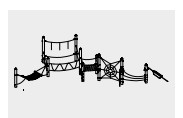
Rope Course Type 02

Fundamental characteristics

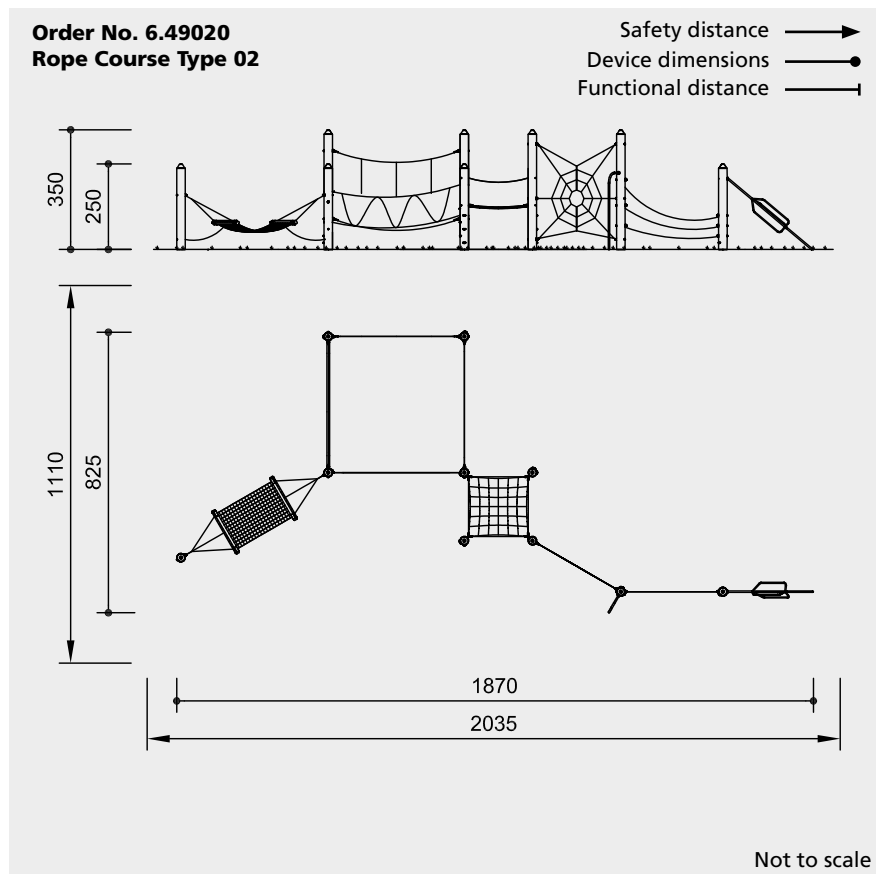
- Modular system based on cylindrical concrete columns
- Strengthen self-protective reflexes
- Play offer: different climbing opportunities
- Movement: climbing, balancing, role-playing games

Recommended for

- School children
- Young people
- Supervised play areas, such as kindergartens, schools, after-school programmes or similar
- Public play areas without supervision, such as playgrounds, parks or similar



6.49020



Safety check according to DIN EN 1176

Components

- 10 Concrete columns
- 1 Square net
- 1 Vertical spider web
- 1 PP rope with hand rope
- 26 Climbing grips
- 1 Hammock
- 1 Parallel rope
- 1 Grip rope with walk rope
- 1 Walk rope with hand rope
- 1 Triple rope, installed at a steep angle
- 1 Firemen's pole
- 1 Whisk

Utility Model

20 2016 106 097 Germany

Dimensions

(small deviations possible)

Height	3.50 / 2.50 m
Length	18.70 m
Width	8.25 m
Weight	5300 kg
Columns diameter	25 cm

Installation information

Surfacing requirements corresponding to a fall height of ≤ 2.00 m (please refer to price list for more detailed information)

Foundations

Concrete columns
10 items $\varnothing 80$ x height 70 cm
Excavation depth 90 cm

Whisk

1 items 30 x 80 x 40 cm
Excavation depth 60 cm

Firemen's pole

1 items 30 x 30 x 30 cm
Excavation depth 50 cm

System details

- Height of columns incl. cone tip 2.50 m and 3.50 m
- Distance between columns up to 4 m
- Arranged in a straight line or in a zig-zag pattern
- Zig-zag line requires 30° layout
- The installation heights for the additional elements can be chosen freely
- Horizontal nets from 1 m height with hand ropes all round
- Ropes installed one above each other (e.g. balancing rope and hand rope) will always be mounted on the same axis (no side offset)
- Horizontal nets can also be installed with an inclination

Attention:

Exact measurements may vary; for all installation dimensions refer to current assembly instructions.

Technical changes reserved.

Technical information

Columns made of self-compacting concrete C 35/45, steel reinforced, $\varnothing 25$ cm, grain size 0 to 16 mm, sand-blasted surface

Richter Hercules type rope

Richter Hercules type rope, a combination of galvanised six-strand steel cables and polyester yarn, diameter > 20 mm, laid and glued with very good abrasion resistance, strong sheathing even in the case of damage by puncturing



Hercules rope

Hercules rope, for spliced net connections. A compound of steel rope for the core and polyester or polyamide yarn for the sheath. High abrasion resistance, 4 or 6 strands



Aluminium rope pressing

Aluminium rope pressing, cylindrically pressed, with rounded ends



S-connectors

S-connectors $\varnothing 8.1$ mm, made of high-quality stainless steel, rounded



Rotating rope connection

Rotatable fitting without dangerous openings, with sintered bush with integrated swivel to ensure the rope untwists



Rope connection with joint

Close-fitting connection with joint, without dangerous openings, with sintered bush and adjustable screw connection



Profiled washer

Profiled washer for covering protruding screw heads according to standard, improved pressure distribution and protection against water. Impedes loosening the bolt



Adjustable

Adjustable two-piece bolt connection, easy to maintain, no projecting threads



Sintered bush

For all reciprocating movements we use sintered plain bearings which are self-lubricating in use and can easily be exchanged if necessary



Stainless Chains

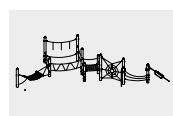
Chains made of steel with high corrosion resistance. Short-linked, without eyelets on the connecting parts, easily replaceable and simple shortening



For more detailed explanation of the quality characteristics see price list.

Cone tip made of stainless steel

Professional climbing grips made of a mixture of sand/synthetic resin with 100% safe anti-rotation system against unintended twisting of the grips



6.49020

Play value

Climbing Structures made from hand-processed irregular round logs, can be integrated into a strongly nature-oriented environment due to their formal expressive character. Many children can play within a small space; Climbing Structures can even absorb the arrival of a large number of children who wish to play on it and incorporate all of them within a flowing play rhythm. Climbing Structures do not only allow for climbing, experiencing height, and for having a sensual experience with hands and feet, but they can also be used as a nice seat for relaxing and observing.



Special version with rings and caps

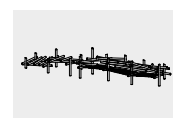
Climbing Structure 02

Fundamental characteristics

- Natural, strong posts
- No pre-determined play procedures, also able to be used in stages, individual mastering
- Incentive for playing: strong, challenging construction
- Movement: climbing, balancing, doing exercise

Recommended for

- School children
- Young people
- Supervised play areas, such as kindergartens, schools, after-school programmes or similar
- Public play areas without supervision, such as playgrounds, parks or similar

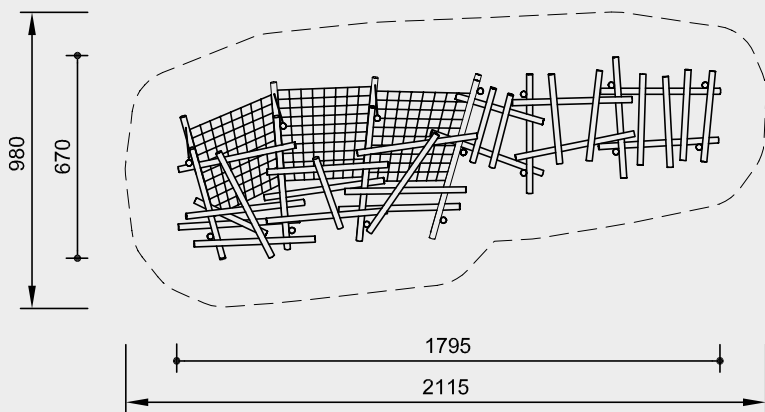
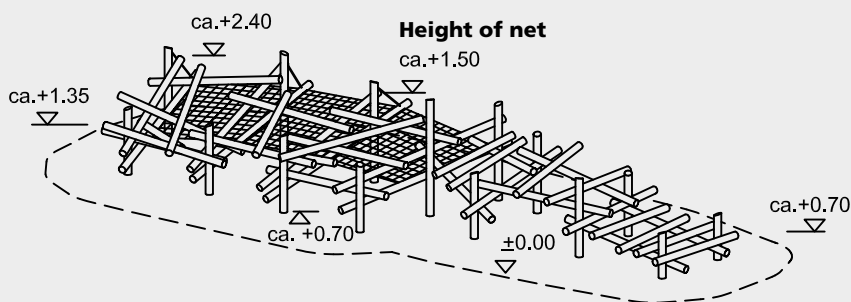


6.51002 / L6.51002

Order No. 6.51002 / L6.51002
Climbing Structure 02

Safety distance 
 Device dimensions 
 Functional distance 

Height details in meters



Scale 1:250

Safety check according to DIN EN 1176 and "safety in another way"

Components

- 15 Stand posts
- 38 Connecting tie beams
- 3 Net areas
- Ropes for tensioning
- Fittings

Dimensions

(small deviations possible)

Length 17.95 m
 Width 6.70 m

Installation information

Surfacing requirements corresponding to a fall height of ≤ 3.00 m (please refer to price list for more detailed information)

Foundations
 15 items 80 x 80 x 60 cm
 Excavation depth 80 cm

Note

The climbing structure is an individual construction which is only partly pre-assembled in our workshop. Therefore, the installation needs to be carried out by an installation company authorised by us.
 Technical changes reserved.

Technical information

Posts made of robinia, Ø 15 - 21 cm

Peeled white

Palisades peeled white means that bark, cambium and sapwood are removed, the natural shape of the trunk is preserved and can be experienced



Bevel cut

Vertical stand posts with bevelled end grain section as constructive wood preservation measure



Richter Hercules type rope

Richter Hercules type rope, a combination of galvanised six-strand steel cables and polyester yarn, diameter > 20 mm, laid and glued with very good abrasion resistance, strong sheathing even in the case of damage by puncturing



Aluminium rope pressing

Aluminium rope pressing, cylindrically pressed, with rounded ends



S-connectors

S-connectors Ø 8.1 mm, made of high-quality stainless steel, rounded



Profiled washer

Profiled washer for covering protruding screw heads according to standard, improved pressure distribution and protection against water. Impedes loosening the bolt



Adjustable

Adjustable two-piece bolt connection, easy to maintain, no projecting threads



Stainless Chains

Chains made of steel with high corrosion resistance. Short-linked, without eyelets on the connecting parts, easily replaceable and simple shortening



Distance fitting

Screw connection with distance fitting to avoid entrapment areas



Fastening of rope / net by means of adjustable chain fixation, easy assembly and maintenance



Order No. L6.51002

As above, but de-barked posts made of non-impregnated mountain larch with steel feet, Ø 15 - 21 cm, splinter free

Ground anchor

All parts used for anchoring to the ground are made of hot-dip galvanised steel or stainless steel

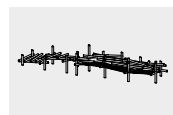


Relief cut

Targeted relief cut as an effective measure against cracks caused by drying. The cut defines the position of the stress equalization in the trunk and minimises natural cracking



For more detailed explanation of the quality characteristics see price list.



6.51002 / L6.51002

Play value

Climbing Structures made from hand-processed irregular round logs, can be integrated into a strongly nature-oriented environment due to their formal expressive character. Many children can play within a small space; Climbing Structures can even absorb the arrival of a large number of children who wish to play on it and incorporate all of them within a flowing play rhythm. Climbing Structures do not only allow for climbing, experiencing height, and for having a sensual experience with hands and feet, but they can also be used as a nice seat for relaxing and observing.



Special version with rings and caps, Photo © Daniel Perales



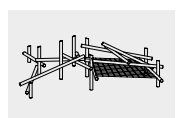
Climbing Structure 06

Fundamental characteristics

- Natural, strong posts
- No pre-determined play procedures, also able to be used in stages, individual mastering
- Incentive for playing: strong, challenging construction
- Movement: climbing, balancing, doing exercise


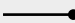

Recommended for

- School children
- Young people
- Supervised play areas, such as kindergartens, schools, after-school programmes or similar
- Public play areas without supervision, such as playgrounds, parks or similar

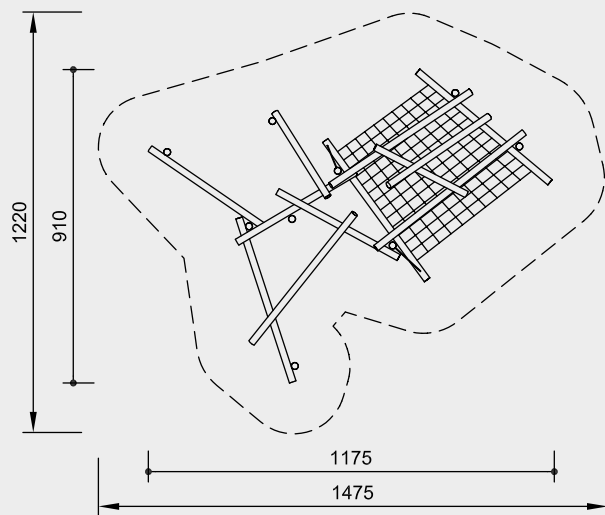
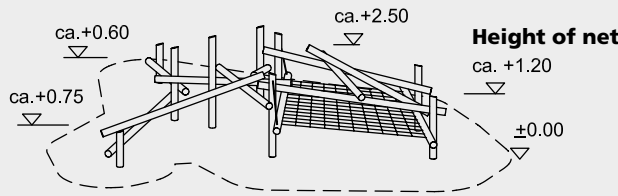


6.51006 / L6.51006

Order No. 6.51006 / L6.51006
Climbing Structure 06

Safety distance 
 Device dimensions 
 Functional distance 

Height details in meters



Scale 1:200

Safety check according to DIN EN 1176 and "safety in another way"

Components

- 9 Stand posts
- 12 Connecting tie beams
- 1 Net area
- Ropes for tensioning
- Fittings

Dimensions

(small deviations possible)

Length	11.75 m
Width	9.10 m

Installation information

Surfacing requirements corresponding to a fall height of ≤ 3.00 m (please refer to price list for more detailed information)

Foundations
 9 items 80 x 80 x 60 cm
 Excavation depth 80 cm

Note

The climbing structure is an individual construction which is only partly pre-assembled in our workshop. Therefore, the installation needs to be carried out by an installation company authorised by us.
 Technical changes reserved.

Technical information

Posts made of robinia, \varnothing 15 - 21 cm

Peeled white

Palisades peeled white means that bark, cambium and sapwood are removed, the natural shape of the trunk is preserved and can be experienced



Bevel cut

Vertical stand posts with bevelled end grain section as constructive wood preservation measure



Richter Hercules type rope

Richter Hercules type rope, a combination of galvanised six-strand steel cables and polyester yarn, diameter > 20 mm, laid and glued with very good abrasion resistance, strong sheathing even in the case of damage by puncturing



Aluminium rope pressing

Aluminium rope pressing, cylindrically pressed, with rounded ends



S-connectors

S-connectors \varnothing 8.1 mm, made of high-quality stainless steel, rounded



Profiled washer

Profiled washer for covering protruding screw heads according to standard, improved pressure distribution and protection against water. Impedes loosening the bolt



Adjustable

Adjustable two-piece bolt connection, easy to maintain, no projecting threads



Stainless Chains

Chains made of steel with high corrosion resistance. Short-linked, without eyelets on the connecting parts, easily replaceable and simple shortening



Distance fitting

Screw connection with distance fitting to avoid entrapment areas



Fastening of rope

Fastening of rope / net by means of adjustable chain fixation, easy assembly and maintenance



Order No. L6.51006

As above, but de-barked posts made of non-impregnated mountain larch with steel feet, \varnothing 15 - 21 cm, splinter free

Ground anchor

All parts used for anchoring to the ground are made of hot-dip galvanised steel or stainless steel

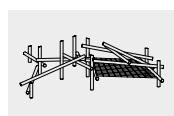


Relief cut

Targeted relief cut as an effective measure against cracks caused by drying. The cut defines the position of the stress equalization in the trunk and minimises natural cracking



For more detailed explanation of the quality characteristics see price list.



6.51006 / L6.51006

Play value

Climbing Structures made from hand-processed irregular round logs, can be integrated into a strongly nature-oriented environment due to their formal expressive character. Many children can play within a small space; Climbing Structures can even absorb the arrival of a large number of children who wish to play on it and incorporate all of them within a flowing play rhythm. Climbing Structures do not only allow for climbing, experiencing height, and for having a sensual experience with hands and feet, but they can also be used as a nice seat for relaxing and observing.



Photo © Monica Bedmar



Photo © Monica Bedmar



Special version with rings and caps, Photo © Daniel Perales



Photo © Daniel Perales

Fundamental characteristics

- Natural, strong posts
- No pre-determined play procedures, also able to be used in stages, individual mastering
- Incentive for playing: strong, challenging construction
- Movement: climbing, balancing, doing exercise

Recommended for


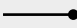

- School children
- Young people
- Supervised play areas such as kindergartens, schools, after-school programmes or similar
- Public play areas without supervision, such as playgrounds, parks or similar

Climbing Structure 07

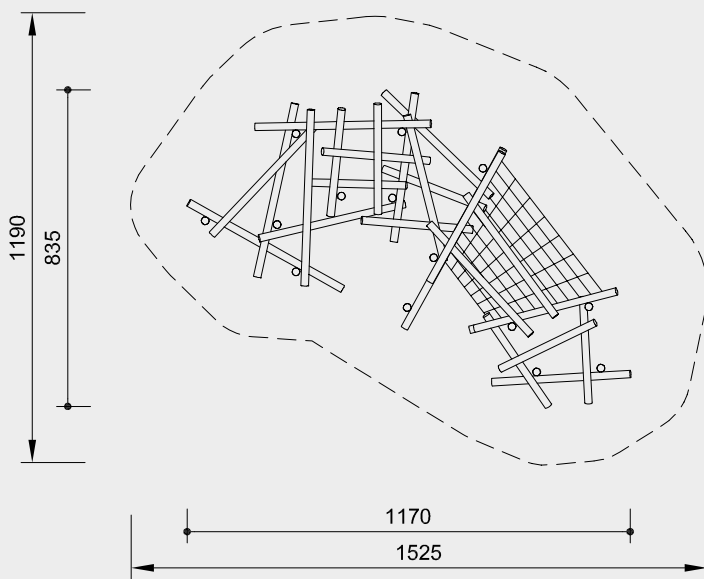
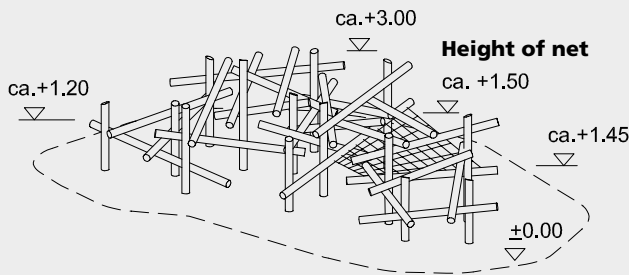


6.51007 / L6.51007

Order No. 6.51007 / L6.51007
Climbing Structure 07

Safety distance 
 Device dimensions 
 Functional distance 

Height details in meters



Scale 1:200

Safety check according to DIN EN 1176 and "safety in another way"

Components

- 14 Stand posts
- 25 Connecting tie beams
- 1 Net area
- Fittings

Dimensions

(small deviations possible)

Length 11.70 m
 Width 8.35 m

Installation information

Surfacing requirements corresponding to a fall height of ≤ 3.00 m (please refer to price list for more detailed information)

Foundations
 14 items 80 x 80 x 60 cm
 Excavation depth 80 cm

Note
The climbing structure is an individual construction which is only partly pre-assembled in our workshop. Therefore, the installation needs to be carried out by an installation company authorised by us.
 Technical changes reserved.

Technical information

Posts made of robinia, \varnothing 15 - 21 cm

Peeled white

Palisades peeled white means that bark, cambium and sapwood are removed, the natural shape of the trunk is preserved and can be experienced



Bevel cut

Vertical stand posts with bevelled end grain section as constructive wood preservation measure



Richter Hercules type rope

Richter Hercules type rope, a combination of galvanised six-strand steel cables and polyester yarn, diameter > 20 mm, laid and glued with very good abrasion resistance, strong sheathing even in the case of damage by puncturing



Aluminium rope pressing

Aluminium rope pressing, cylindrically pressed, with rounded ends



S-connectors

S-connectors \varnothing 8.1 mm, made of high-quality stainless steel, rounded



Profiled washer

Profiled washer for covering protruding screw heads according to standard, improved pressure distribution and protection against water. Impedes loosening the bolt



Adjustable

Adjustable two-piece bolt connection, easy to maintain, no projecting threads



Stainless Chains

Chains made of steel with high corrosion resistance. Short-linked, without eyelets on the connecting parts, easily replaceable and simple shortening



Distance fitting

Screw connection with distance fitting to avoid entrapment areas



Fastening of rope

Fastening of rope / net by means of adjustable chain fixation, easy assembly and maintenance



Order No. L6.51007

As above, but de-barked posts made of non-impregnated mountain larch with steel feet, \varnothing 15 - 21 cm, splinter free

Ground anchor

All parts used for anchoring to the ground are made of hot-dip galvanised steel or stainless steel



Relief cut

Targeted relief cut as an effective measure against cracks caused by drying. The cut defines the position of the stress equalization in the trunk and minimises natural cracking



For more detailed explanation of the quality characteristics see price list.



6.51007 / L6.51007

Play value

Climbing Structures made from hand-processed irregular round logs, can be integrated into a strongly nature-oriented environment due to their formal expressive character. Many children can play within a small space; Climbing Structures can even absorb the arrival of a large number of children who wish to play on it and incorporate all of them within a flowing play rhythm. Climbing Structures do not only allow for climbing, experiencing height, and for having a sensual experience with hands and feet, but they can also be used as a nice seat for relaxing and observing.



© Richter Spielgeräte GmbH 06/22

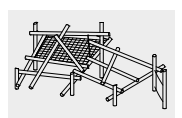
Climbing Structure 08

Fundamental characteristics

- Natural, strong posts
- No pre-determined play procedures, also able to be used in stages, individual mastering
- Incentive for playing: strong, challenging construction
- Movement: climbing, balancing, doing exercise



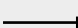
Recommended for

- School children
- Young people
- Supervised play areas, such as kindergartens, schools, after-school programmes or similar
- Public play areas without supervision, such as playgrounds, parks or similar

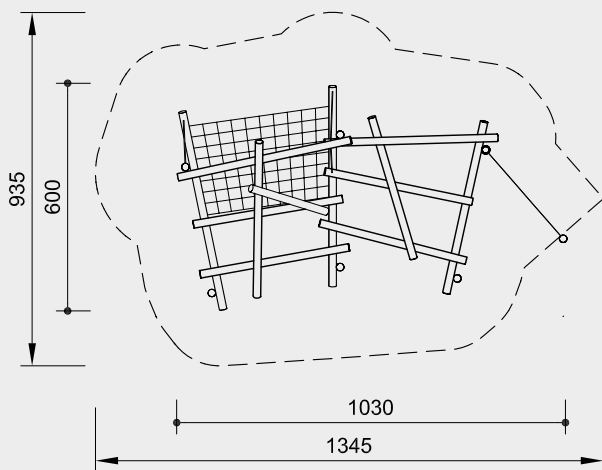
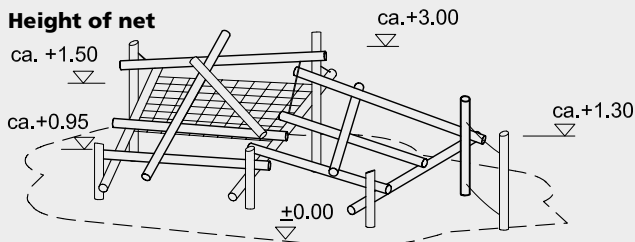


6.51008 / L6.51008

Order No. 6.51008 / L6.51008
Climbing Structure 08

Safety distance 
 Device dimensions 
 Functional distance 

Height details in meters



Scale 1:200

Safety check according to DIN EN 1176 and "safety in another way"

Components

- 7 Stand posts
- 12 Connecting tie beams
- 1 Net area
- 1 Balancing rope / holding rope
- Ropes for tensioning
- Fittings

Dimensions

(small deviations possible)

Length	10.30 m
Width	6.00 m

Installation information

Surfacing requirements corresponding to a fall height of ≤ 3.00 m (please refer to price list for more detailed information)

Foundations
 7 items 80 x 80 x 60 cm
 Excavation depth 80 cm

Note

The climbing structure is an individual construction which is only partly pre-assembled in our workshop. Therefore, the installation needs to be carried out by an installation company authorised by us.
 Technical changes reserved.

Technical information

Posts made of robinia, \varnothing 15 - 21 cm

Peeled white

Palisades peeled white means that bark, cambium and sapwood are removed, the natural shape of the trunk is preserved and can be experienced



Bevel cut

Vertical stand posts with bevelled end grain section as constructive wood preservation measure



Richter Hercules type rope

Richter Hercules type rope, a combination of galvanised six-strand steel cables and polyester yarn, diameter > 20 mm, laid and glued with very good abrasion resistance, strong sheathing even in the case of damage by puncturing



Aluminium rope pressing

Aluminium rope pressing, cylindrically pressed, with rounded ends



S-connectors

S-connectors \varnothing 8.1 mm, made of high-quality stainless steel, rounded



Profiled washer

Profiled washer for covering protruding screw heads according to standard, improved pressure distribution and protection against water. Impedes loosening the bolt



Adjustable

Adjustable two-piece bolt connection, easy to maintain, no projecting threads



Stainless Chains

Chains made of steel with high corrosion resistance. Short-linked, without eyelets on the connecting parts, easily replaceable and simple shortening



Distance fitting

Screw connection with distance fitting to avoid entrapment areas



Fastening of rope

Fastening of rope / net by means of adjustable chain fixation, easy assembly and maintenance



Order No. L6.51008

As above, but de-barked posts made of non-impregnated mountain larch with steel feet, \varnothing 15 - 21 cm, splinter free

Ground anchor

All parts used for anchoring to the ground are made of hot-dip galvanised steel or stainless steel

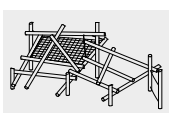


Relief cut

Targeted relief cut as an effective measure against cracks caused by drying. The cut defines the position of the stress equalization in the trunk and minimises natural cracking



For more detailed explanation of the quality characteristics see price list.



6.51008 / L6.51008

Play value

Climbing Structures made from hand-processed irregular round logs, can be integrated into a strongly nature-oriented environment due to their formal expressive character. Many children can play within a small space; Climbing Structures can even absorb the arrival of a large number of children who wish to play on it and incorporate all of them within a flowing play rhythm. Climbing Structures do not only allow for climbing, experiencing height, and for having a sensual experience with hands and feet, but they can also be used as a nice seat for relaxing and observing.



Photo © Jenny Halse



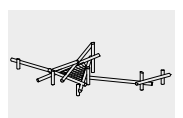
Climbing Structure 09

Fundamental characteristics

- Natural, strong posts
- No pre-determined play procedures, individual mastering
- Incentive for playing: strong, challenging construction
- Movement: climbing, balancing, doing exercise


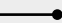
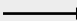
Recommended for

- School children
- Young people
- Supervised play areas, such as kindergartens, schools, after-school programmes or similar
- Public play areas without supervision, such as playgrounds, parks or similar

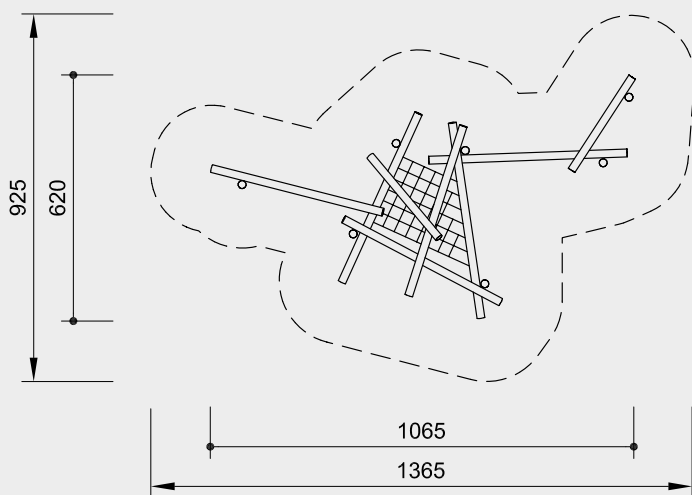
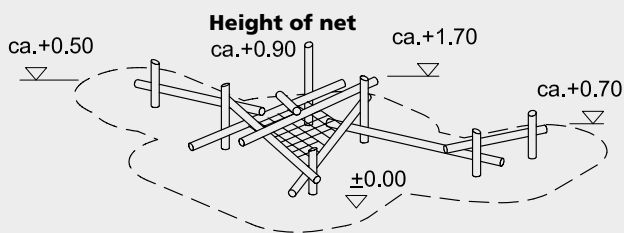


6.51009 / L6.51009

Order No. 6.51009 / L6.51009
Climbing Structure 09

Safety distance 
 Device dimensions 
 Functional distance 

Height details in meters



Scale 1:200

Safety check according to DIN EN 1176 and "safety in another way"

Components

- 7 Stand posts
- 8 Connecting tie beams
- 1 Net area
- Fittings

Dimensions

(small deviations possible)

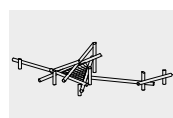
Length 10.65 m
 Width 6.20 m

Installation information

Surfacing requirements corresponding to a fall height of ≤ 2.00 m (please refer to price list for more detailed information)

Foundations
 7 items 80 x 80 x 60 cm
 Excavation depth 80 cm

Note
The climbing structure is an individual construction which is only partly pre-assembled in our workshop. Therefore, the installation needs to be carried out by an installation company authorised by us.
 Technical changes reserved.



6.51009 / L6.51009

Technical information

Posts made of robinia, \varnothing 15 - 21 cm

Peeled white

Palisades peeled white means that bark, cambium and sapwood are removed, the natural shape of the trunk is preserved and can be experienced



Bevel cut

Vertical stand posts with bevelled end grain section as constructive wood preservation measure



Richter Hercules type rope

Richter Hercules type rope, a combination of galvanised six-strand steel cables and polyester yarn, diameter > 20 mm, laid and glued with very good abrasion resistance, strong sheathing even in the case of damage by puncturing



Aluminium rope pressing

Aluminium rope pressing, cylindrically pressed, with rounded ends



S-connectors

S-connectors \varnothing 8.1 mm, made of high-quality stainless steel, rounded



Profiled washer

Profiled washer for covering protruding screw heads according to standard, improved pressure distribution and protection against water. Impedes loosening the bolt



Adjustable

Adjustable two-piece bolt connection, easy to maintain, no projecting threads



Stainless Chains

Chains made of steel with high corrosion resistance. Short-linked, without eyelets on the connecting parts, easily replaceable and simple shortening



Distance fitting

Screw connection with distance fitting to avoid entrapment areas



Fastening of rope

Fastening of rope / net by means of adjustable chain fixation, easy assembly and maintenance



Order No. L6.51009

As above, but de-barked posts made of non-impregnated mountain larch with steel feet, \varnothing 15 - 21 cm, splinter free

Ground anchor

All parts used for anchoring to the ground are made of hot-dip galvanised steel or stainless steel



Relief cut

Targeted relief cut as an effective measure against cracks caused by drying. The cut defines the position of the stress equalization in the trunk and minimises natural cracking



For more detailed explanation of the quality characteristics see price list.

Play value

Climbing Structures made from hand-processed irregular round logs, can be integrated into a strongly nature-oriented environment due to their formal expressive character. Many children can play within a small space; Climbing Structures can even absorb the arrival of a large number of children who wish to play on it and incorporate all of them within a flowing play rhythm. Climbing Structures do not only allow for climbing, experiencing height, and for having a sensual experience with hands and feet, but they can also be used as a nice seat for relaxing and observing.



Photo © Jenny Halse



Photo © Paul Upward



© Richter Spielgeräte GmbH 06/22

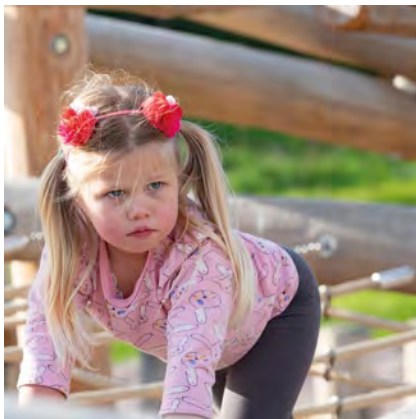


Photo © Paul Upward

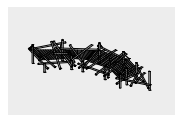
Climbing Structure 17

Fundamental characteristics

- Natural, strong posts
- No pre-determined play procedures, also able to be used in stages, individual mastering
- Incentive for playing: strong, challenging construction
- Movement: climbing, balancing, doing exercise


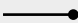
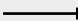
Recommended for

- School children
- Young people
- Supervised play areas, such as kindergartens, schools, after-school programmes or similar
- Public play areas without supervision, such as playgrounds, parks or similar

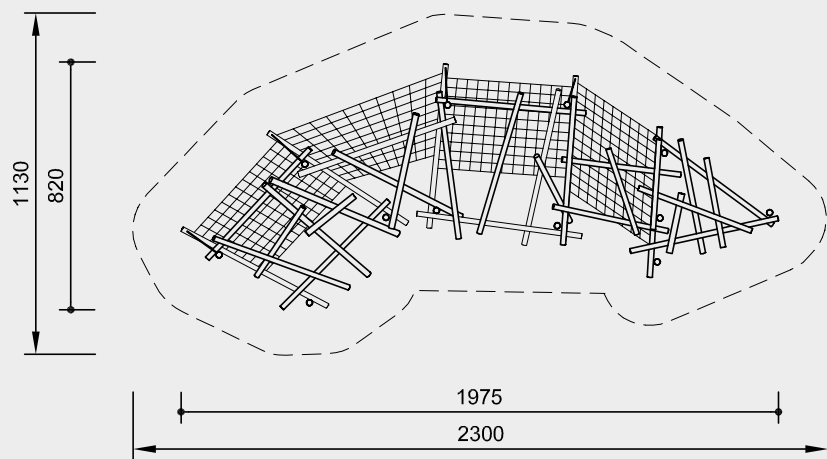
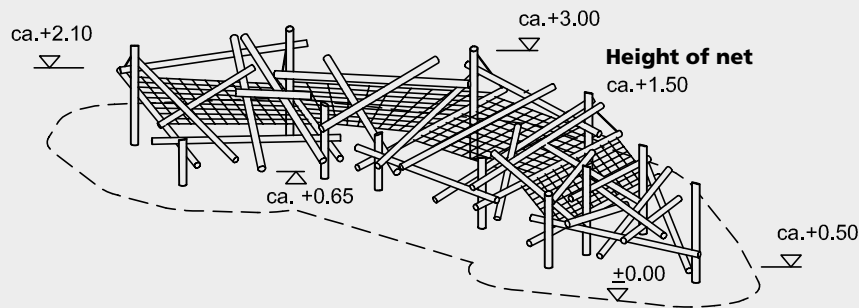


6.51017 / L6.51017

Order No. 6.51017 / L6.51017
Climbing Structure 17

Safety distance 
 Device dimensions 
 Functional distance 

Height details in meters



Scale 1:250

Safety check according to DIN EN 1176 and "safety in another way"

Components

- 12 Stand posts
- 32 Connecting tie beams
- 4 Net areas
- Ropes for tensioning
- Fittings

Dimensions

(small deviations possible)

Length 19.75 m
 Width 8.20 m

Installation information

Surfacing requirements corresponding to a fall height of ≤ 3.00 m (please refer to price list for more detailed information)

Foundations
 12 items 80 x 80 x 60 cm
 Excavation depth 80 cm

Note

The climbing structure is an individual construction which is only partly pre-assembled in our workshop. Therefore, the installation needs to be carried out by an installation company authorised by us.
 Technical changes reserved.

Technical information

Posts made of robinia, \varnothing 15 - 21 cm

Peeled white

Palisades peeled white means that bark, cambium and sapwood are removed, the natural shape of the trunk is preserved and can be experienced



Bevel cut

Vertical stand posts with bevelled end grain section as constructive wood preservation measure



Richter Hercules type rope

Richter Hercules type rope, a combination of galvanised six-strand steel cables and polyester yarn, diameter > 20 mm, laid and glued with very good abrasion resistance, strong sheathing even in the case of damage by puncturing



Aluminium rope pressing

Aluminium rope pressing, cylindrically pressed, with rounded ends



S-connectors

S-connectors \varnothing 8.1 mm, made of high-quality stainless steel, rounded



Profiled washer

Profiled washer for covering protruding screw heads according to standard, improved pressure distribution and protection against water. Impedes loosening the bolt



Adjustable

Adjustable two-piece bolt connection, easy to maintain, no projecting threads



Stainless Chains

Chains made of steel with high corrosion resistance. Short-linked, without eyelets on the connecting parts, easily replaceable and simple shortening



Distance fitting

Screw connection with distance fitting to avoid entrapment areas



Fastening of rope

Fastening of rope / net by means of adjustable chain fixation, easy assembly and maintenance



Order No. L6.51017

As above, but de-barked posts made of non-impregnated mountain larch with steel feet, \varnothing 15 - 21 cm, splinter free

Ground anchor

All parts used for anchoring to the ground are made of hot-dip galvanised steel or stainless steel



Relief cut

Targeted relief cut as an effective measure against cracks caused by drying. The cut defines the position of the stress equalization in the trunk and minimises natural cracking



For more detailed explanation of the quality characteristics see price list.



6.51017 / L6.51017

Play value

Climbing Structures made from hand-processed irregular round logs, can be integrated into a strongly nature-oriented environment due to their formal expressive character. Many children can play within a small space; Climbing Structures can even absorb the arrival of a large number of children who wish to play on it and incorporate all of them within a flowing play rhythm. Climbing Structures do not only allow for climbing, experiencing height, and for having a sensual experience with hands and feet, but they can also be used as a nice seat for relaxing and observing.



Photo © Monica Bedmar



© Richter Spielgeräte GmbH 06/22

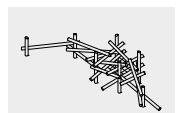
Climbing Structure 18

Fundamental characteristics

- Natural, strong posts
- No pre-determined play procedures, also able to be used in stages, individual mastering
- Incentive for playing: strong, challenging construction
- Movement: climbing, balancing, doing exercise

Recommended for

- School children
- Young people
- Supervised play areas such as kindergartens, schools, after-school programmes or similar
- Public play areas without supervision, such as playgrounds, parks or similar

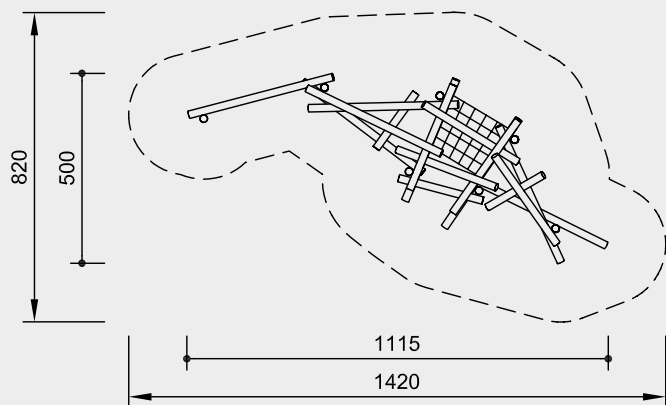
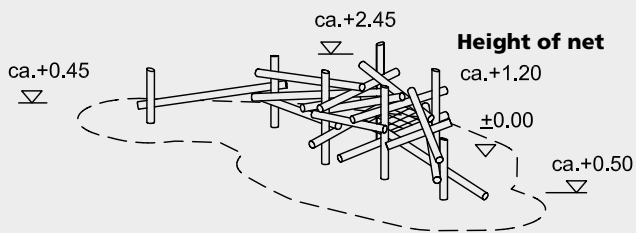


6.51018 / L6.51018

Order No. 6.51018 L6.51018
Climbing Structure 18

Safety distance 
 Device dimensions 
 Functional distance 

Height details in meters



Scale 1:200

Safety check according to DIN EN 1176 and "safety in another way"

Components

- 7 Stand posts
- 16 Connecting tie beams
- 1 Net area
- Fittings

Dimensions

(small deviations possible)

Length 11.15 m
 Width 5.00 m

Installation information

Surfacing requirements corresponding to a fall height of ≤ 3.00 m (please refer to price list for more detailed information)

Foundations
 7 items 80 x 80 x 60 cm
 Excavation depth 80 cm

Note
The climbing structure is an individual construction which is only partly pre-assembled in our workshop. Therefore, the installation needs to be carried out by an installation company authorised by us.
 Technical changes reserved.

Technical information

Posts made of robinia, \varnothing 15 - 21 cm

Peeled white

Palisades peeled white means that bark, cambium and sapwood are removed, the natural shape of the trunk is preserved and can be experienced



Bevel cut

Vertical stand posts with bevelled end grain section as constructive wood preservation measure



Richter Hercules type rope

Richter Hercules type rope, a combination of galvanised six-strand steel cables and polyester yarn, diameter > 20 mm, laid and glued with very good abrasion resistance, strong sheathing even in the case of damage by puncturing



Aluminium rope pressing

Aluminium rope pressing, cylindrically pressed, with rounded ends



S-connectors

S-connectors \varnothing 8.1 mm, made of high-quality stainless steel, rounded



Profiled washer

Profiled washer for covering protruding screw heads according to standard, improved pressure distribution and protection against water. Impedes loosening the bolt



Adjustable

Adjustable two-piece bolt connection, easy to maintain, no projecting threads



Stainless Chains

Chains made of steel with high corrosion resistance. Short-linked, without eyelets on the connecting parts, easily replaceable and simple shortening



Distance fitting

Screw connection with distance fitting to avoid entrapment areas



Fastening of rope

Fastening of rope / net by means of adjustable chain fixation, easy assembly and maintenance



Order No. L6.51018

As above, but de-barked posts made of non-impregnated mountain larch with steel feet, \varnothing 15 - 21 cm, splinter free

Ground anchor

All parts used for anchoring to the ground are made of hot-dip galvanised steel or stainless steel

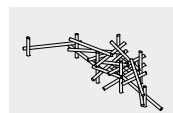


Relief cut

Targeted relief cut as an effective measure against cracks caused by drying. The cut defines the position of the stress equalization in the trunk and minimises natural cracking



For more detailed explanation of the quality characteristics see price list.



6.51018 / L6.51018

Play value

Climbing Structures made from hand-processed irregular round logs, can be integrated into a strongly nature-oriented environment due to their formal expressive character. Many children can play within a small space; Climbing Structures can even absorb the arrival of a large number of children who wish to play on it and incorporate all of them within a flowing play rhythm. Climbing Structures do not only allow for climbing, experiencing height, and for having a sensual experience with hands and feet, but they can also be used as a nice seat for relaxing and observing.



Photo © Paul Upward



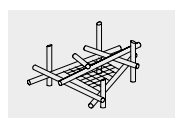
Climbing Structure 19

Fundamental characteristics



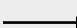
- Natural, strong posts
- No pre-determined play procedures, individual mastering
- Incentive for playing: strong, challenging structure
- Movement: climbing, balancing, doing exercise

Recommended for

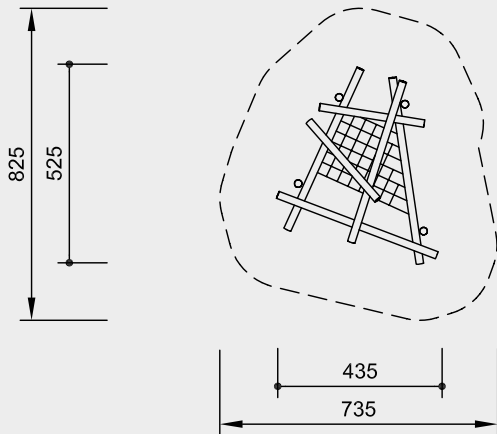
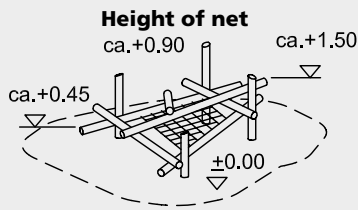
- Kindergarten children
- School children
- Supervised play areas such as kindergartens, schools, after-school programmes or similar
- Public play areas without supervision, such as playgrounds, parks or similar



Order No. 6.51019 / L6.51019
Climbing Structure 19

Safety distance 
 Device dimensions 
 Functional distance 

Height details in meters



Scale 1:200

Safety check according to DIN EN 1176 and "safety in another way"

Components

- 4 Stand posts
- 6 Connecting tie beams
- 1 Net area
- Fittings

Dimensions

(small deviations possible)

Length 4.35 m
 Width 5.25 m

Installation information

Surfacing requirements corresponding to a fall height of ≤ 2.00 m (please refer to price list for more detailed information)

Foundations
 4 items 80 x 80 x 60 cm
 Excavation depth 80 cm

Note
The climbing structure is an individual construction which is only partly pre-assembled in our workshop. Therefore, the installation needs to be carried out by an installation company authorised by us.
 Technical changes reserved.

Technical information

Posts made of robinia, Ø 15 - 21 cm

Peeled white

Palisades peeled white means that bark, cambium and sapwood are removed, the natural shape of the trunk is preserved and can be experienced



Bevel cut

Vertical stand posts with bevelled end grain section as constructive wood preservation measure



Richter Hercules type rope

Richter Hercules type rope, a combination of galvanised six-strand steel cables and polyester yarn, diameter > 20 mm, laid and glued with very good abrasion resistance, strong sheathing even in the case of damage by puncturing



Aluminium rope pressing

Aluminium rope pressing, cylindrically pressed, with rounded ends



S-connectors

S-connectors Ø 8.1 mm, made of high-quality stainless steel, rounded



Profiled washer

Profiled washer for covering protruding screw heads according to standard, improved pressure distribution and protection against water. Impedes loosening the bolt



Adjustable

Adjustable two-piece bolt connection, easy to maintain, no projecting threads



Stainless Chains

Chains made of steel with high corrosion resistance. Short-linked, without eyelets on the connecting parts, easily replaceable and simple shortening



Distance fitting

Screw connection with distance fitting to avoid entrapment areas



Fastening of rope

Fastening of rope / net by means of adjustable chain fixation, easy assembly and maintenance



Order No. L6.51019

As above, but de-barked posts made of non-impregnated mountain larch with steel feet, Ø 15 - 21 cm, splinter free

Ground anchor

All parts used for anchoring to the ground are made of hot-dip galvanised steel or stainless steel

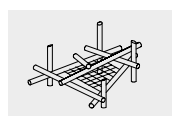


Relief cut

Targeted relief cut as an effective measure against cracks caused by drying. The cut defines the position of the stress equalization in the trunk and minimises natural cracking



For more detailed explanation of the quality characteristics see price list.



6.51019 / L6.51019

Play value

Climbing Structures made from hand-processed irregular round logs, can be integrated into a strongly nature-oriented environment due to their formal expressive character. Many children can play within a small space; Climbing Structures can even absorb the arrival of a large number of children who wish to play on it and incorporate all of them within a flowing play rhythm. Climbing Structures do not only allow for climbing, experiencing height, and for having a sensual experience with hands and feet, but they can also be used as a nice seat for relaxing and observing.



© Richter Spielgeräte GmbH 06/22

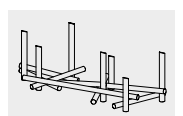
Climbing Structure 20

Fundamental characteristics

- Natural, strong posts
- No pre-determined play procedures, individual mastering
- Incentive for playing: strong, challenging structure
- Movement: climbing, balancing, doing exercise


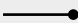
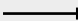
Recommended for

- Kindergarten children
- School children
- Supervised play areas, such as kindergartens, schools, after-school programmes or similar
- Public play areas without supervision, such as playgrounds, parks or similar

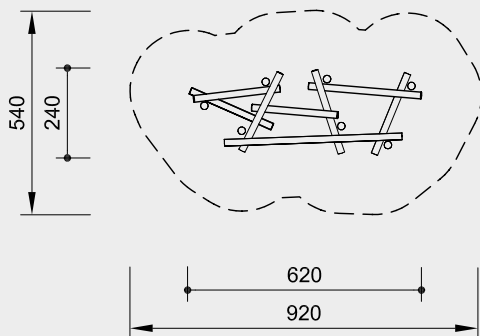
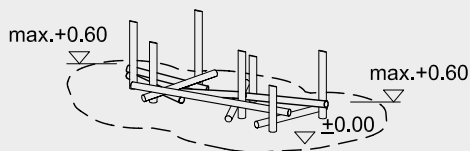


6.51020 / L6.51020

Order No. 6.51020 / L6.51020
Climbing Structure 20

Safety distance 
 Device dimensions 
 Functional distance 

Height details in meters



Scale 1:200

Safety check according to DIN EN 1176 and "safety in another way"

Components

- 7 Stand posts
- 8 Connecting tie beams
- Fittings

Dimensions

(small deviations possible)

Length 6.20 m
 Width 2.40 m

Installation information

Surfacing requirements corresponding to a fall height of ≤ 0.60 m (please refer to price list for more detailed information)

Foundations
 7 items 80 x 80 x 60 cm
 Excavation depth 80 cm

Note
The climbing structure is an individual construction which is only partly pre-assembled in our workshop. Therefore, the installation needs to be carried out by an installation company authorised by us.
 Technical changes reserved.

Technical information

Posts made of robinia, Ø 15 - 21 cm

Peeled white

Palisades peeled white means that bark, cambium and sapwood are removed, the natural shape of the trunk is preserved and can be experienced



Bevel cut

Vertical stand posts with bevelled end grain section as constructive wood preservation measure



Profiled washer

Profiled washer for covering protruding screw heads according to standard, improved pressure distribution and protection against water. Impedes loosening the bolt



Adjustable

Adjustable two-piece bolt connection, easy to maintain, no projecting threads



Distance fitting

Screw connection with distance fitting to avoid entrapment areas



Order No. L6.51020

As above, but de-barked posts made of non-impregnated mountain larch with steel feet, Ø 15 - 21 cm, splinter free

Ground anchor

All parts used for anchoring to the ground are made of hot-dip galvanised steel or stainless steel

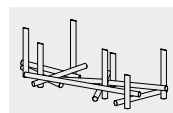


Relief cut

Targeted relief cut as an effective measure against cracks caused by drying. The cut defines the position of the stress equalization in the trunk and minimises natural cracking



For more detailed explanation of the quality characteristics see price list.



6.51020 / L6.51020

Play value

Children have a natural urge to climb upwards or to climb something. More than with many other forms of movement, climbing addresses self-awareness, promotes decision-making skills and concentration, trains spatial awareness and builds self-confidence. Our Vertical Climbing Net can also be equipped with a curved firemen's pole, which also invites children to climb up.



Order No. L6.51630 Vertical Climbing Net



Order No. L6.51630 Vertical Climbing Net



Order No. L6.51600 Vertical Climbing Net with Firemen's Pole, Photo © Barbara Evripidou

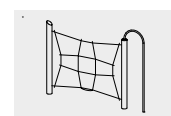
Fundamental characteristics

- Incentive for playing: strong, challenging construction, experience height
- Movement: climbing, doing exercises, shifting one's body weight, sitting, balancing

Recommended for

- School children
- Supervised play areas, such as schools, after-school programmes or similar
- Public play areas without supervision, such as playgrounds, parks or similar

**Vertical Climbing Net with Firemen's Pole
Vertical Climbing Net**

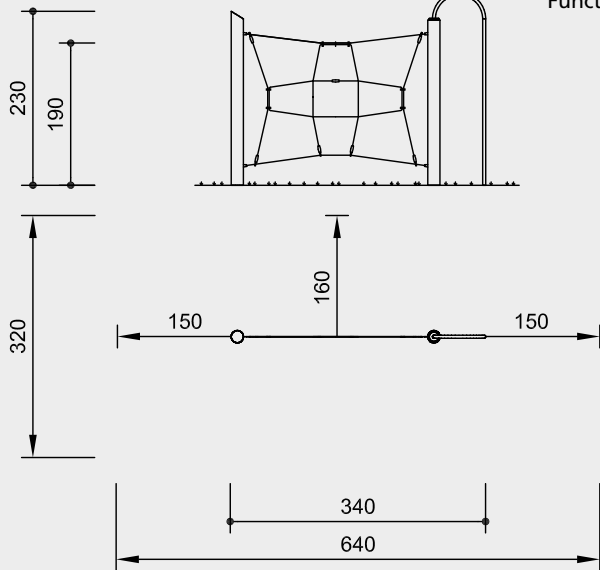


L6.51600

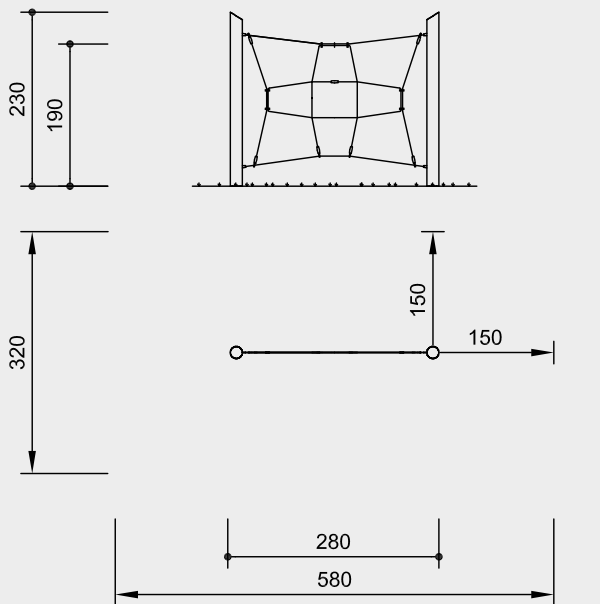


L6.51630

Order No. L6.51600
Vertical Climbing Net with Firemen's Pole



Order No. L6.51630
Vertical Climbing Net



Scale 1:100

Safety check according to DIN EN 1176

Components

Order No. L6.51600
Vertical Climbing Net with Firemen's Pole
 2 Support posts with steel feet, net and Firemen's Pole

Order No. L6.51630
Vertical Climbing Net
 2 Support posts with steel feet and net

Installation information

Surfacing requirements corresponding to a fall height of ≤ 1.50 m (please refer to price list for more detailed information)

Foundation
Order No. L6.51600
 2 item 60 x 60 x 60 cm
 Excavation depth 80 cm
 1 item 40 x 55 x 30 cm
 Excavation depth 50 cm
Order No. L6.51630
 2 item 60 x 60 x 60 cm
 Excavation depth 80 cm

Attention:
Exact measurements may vary, for all installation dimensions refer to current installation instructions.
 Technical changes reserved.



L6.51600



L6.51630

Technical information

Equipment made of non-impregnated mountain larch

Peeled white

Palisades peeled white means that bark, cambium and sapwood are removed, the natural shape of the trunk is preserved and can be experienced



Bevel cut

Vertical stand posts with bevelled end grain section as constructive wood preservation measure



Richter Hercules type rope

Richter Hercules type rope, a combination of galvanised six-strand steel cables and polyester yarn, diameter > 20 mm, laid and glued with very good abrasion resistance, strong sheathing even in the case of damage by puncturing



Aluminium rope pressing

Aluminium rope pressing, cylindrically pressed, with rounded ends



S-connectors

S-connectors $\varnothing 8.1$ mm, made of high-quality stainless steel, rounded



Rope connection fixed

Fixed rope connection without dangerous openings. Screw connection adjustable and countersunk in the wood



Ground anchor

All parts used for anchoring to the ground are made of hot-dip galvanised steel or stainless steel



For more detailed explanation of the quality characteristics see price list.

Sliding pole made of stainless steel, glass bead blasted, $\varnothing 42$ mm

Dimensions

(small deviations possible)

Order No. L6.51600
Vertical Climbing Net with Firemen's Pole

Height	2.30 m
Width	3.40 m
Net	1.75 x 2.50 m
Weight	120 kg

Order No. L6.51630
Vertical Climbing Net

Height	2.30 m
Width	2.80 m
Net	1.75 x 2.50 m
Weight	110 kg



Play value

The Climbing Wall represents an attractive challenge which can be climbed from both sides and offers various degrees of difficulty. The differently designed surface structure and the various elements to step and hold onto offer a place matching to everybody's courage. The Climbing Wall can be extended and in the angle modified between 60° and 90° conforming to design requirements. It separates play areas and is suited as space-forming element.

Fundamental characteristics

- Sturdy construction allows for free-standing installation
- Can be climbed from both sides
- Space-forming element
- Incentive for playing: climbing grips, height, connecting element
- Movement: climbing

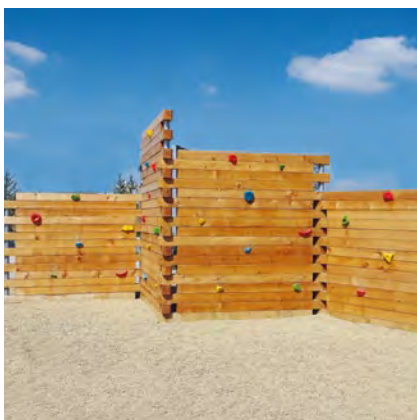
Recommended for

- School children
- Young people
- Public play areas without supervision, such as playgrounds, parks or similar
- Swimming pools without supervision, such as outdoor pools, adventure pools or similar
- Leisure parks

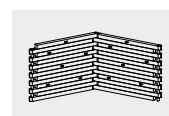


Order No. 7.77060 Climbing Wall with 4 elements

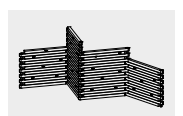
Climbing Wall with 2 elements
Climbing Wall with 4 elements



Order No. 7.77060 Climbing Wall with 4 elements



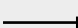


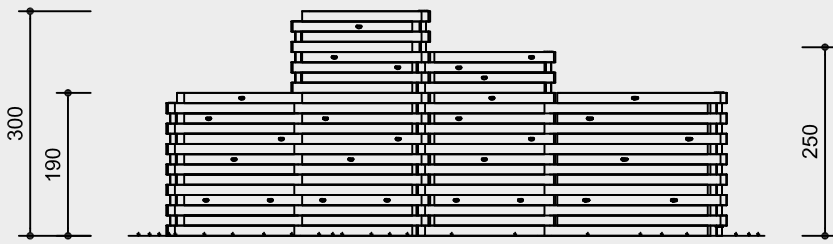
7.77010



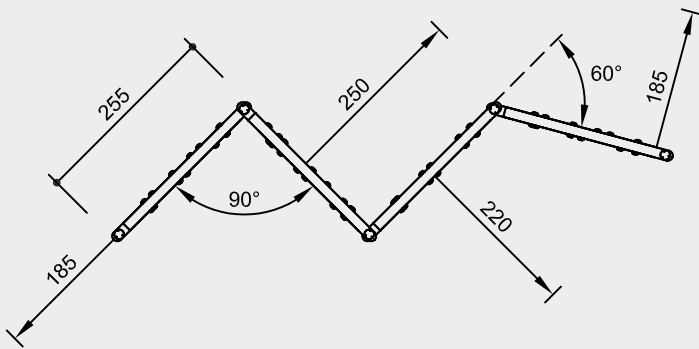
7.77060

Order No. 7.77060
Climbing Wall with 4 elements

Safety distance 
 Device dimensions 
 Functional distance 



Order No. 7.77060
Climbing Wall with 4 elements
 Example of a possible arrangement



Scale 1:100

Safety check according to DIN EN 1176

Components

- Order No. 7.77010**
Climbing Wall with 2 elements
- 2 Wall elements of 2 x 7 double-layer modules with grips
 - 3 Steel tubes as ground anchors

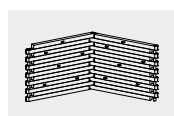
- Order No. 7.77060**
Climbing Wall with 4 elements
- 4 Wall elements of 2 x 7, 1 x 11 and 1 x 9 double-layer modules, with grips
 - 5 Steel tubes as ground anchors

Installation information

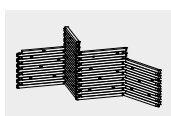
Surfacing requirements corresponding to a fall height of
Order No. 7.77010 ≤ 2.00 m
Order No. 7.77060 ≤ 3.00 m
 (please refer to price list for more detailed information)

Foundations
Order No. 7.77010
 3 items 100 x 100 x 50 cm
 Excavation depth 70 cm
Order No. 7.77060
 5 items 100 x 100 x 50 cm
 Excavation depth 70 cm

The wall elements have to be installed angular to guarantee stability; the standard anchors are sufficient for angles of 60° - 90°.



7.77010



7.77060

Technical information

Equipment made of non-impregnated mountain larch

Core-free
 Sawn-timbers core-free, thus decreasing occurrences of cracking and undesired changes in shape



Ground anchor
 All parts used for anchoring to the ground are made of hot-dip galvanised steel or stainless steel



For more detailed explanation of the quality characteristics see price list.

Walls in block construction of square timbers 14 / 14 cm

Professional climbing grips made of a mixture of sand-synthetic resin with anti-rotation system against unintended twisting of the grips

Dimensions

(small deviations possible)

- Order No. 7.77010**
Climbing Wall with 2 elements
- | | |
|---------------|---------|
| Height | 1.90 m |
| Element width | 2.55 m |
| Weight | 1000 kg |

- Order No. 7.77060**
Climbing Wall with 4 elements
- | | |
|---------------|-----------------------------|
| Height | 1.90 / 3.00 / 2.50 / 1.90 m |
| Element width | 2.55 m |
| Weight | 2500 kg |

Attention:
Exact measurements may vary;
for all installation dimensions refer to current assembly instructions.
 Technical changes reserved.



Photo © Daniel Perales

Play value

Climbing poles of equal length are centrally arranged, offering children and adolescents competitive play opportunities. The reward for climbing is the ringing of a bell at the top when it is tapped. Boys in particular, like measuring their strengths and skills and for this reason the Bell Climbing Poles are particularly suited to the teenager's area.



Photo © Daniel Perales



Photo © Daniel Perales

Bell Climbing Poles

Fundamental characteristics

- Unique and original
- Damped anchorage, which enables the free-standing poles to swing, is included in delivery
- Incentive for playing: tapping the bell
- Movement: climbing


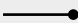
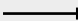
Recommended for

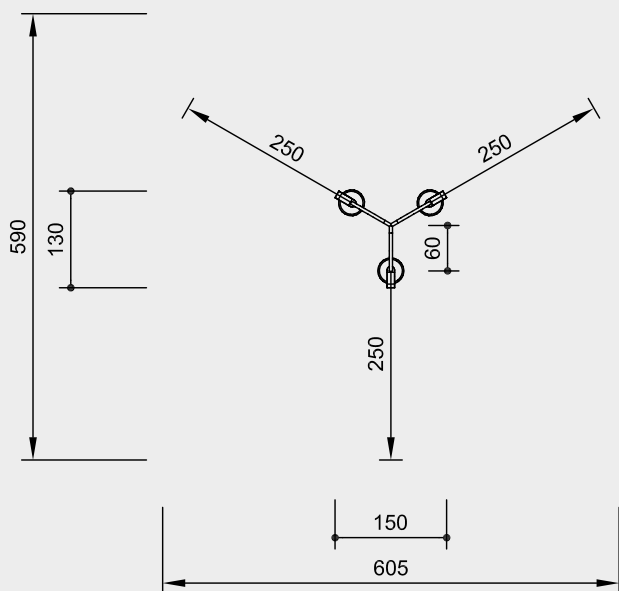
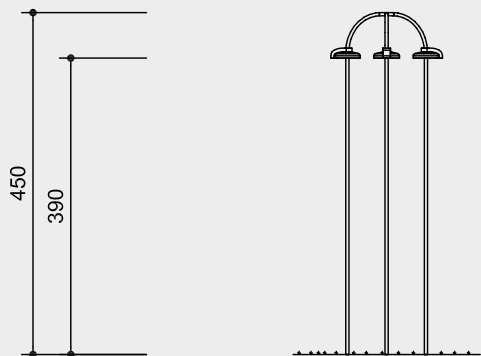
- School children
- Young people
- Supervised play areas, such as kindergartens, schools, after-school programmes or similar
- Public play areas without supervision, such as playgrounds, parks or similar
- Swimming pools without supervision, such as outdoor pools, adventure pools or similar



7.90000

Order No. 7.90000
Bell Climbing Poles

Safety distance 
 Device dimensions 
 Functional distance 



Scale 1:100

Safety check according to DIN EN 1176

Components

- 3 Climbing poles, welded together, with bells and rubber-damped anchorage construction

Installation information

Surfacing requirements corresponding to a fall height of ≤ 3.00 m (please refer to price list for more detailed information)

Foundations
 1 item $\varnothing 2.20$ m x 1.00 m
 Excavation depth 1.20 m

Attention:
Exact measurements may vary;
for all installation dimensions refer to current assembly instructions.
 Technical changes reserved.

Technical information

Equipment made of stainless steel

Ground anchor

All parts used for anchoring to the ground are made of hot-dip galvanised steel or stainless steel



For more detailed explanation of the quality characteristics see price list.

Climbing poles made of stainless steel, reinforced against kinking in the lower half

Colourfully painted sound elements, relatively soft percussion with plastic element, bell-like sound

Dimensions

(small deviations possible)

Height	4.50 m
Height of bells	3.90 m
Length	1.50 m
Width	1.30 m
Wall thickness of tubes	42 x 3.2 mm
Weight	160 kg



7.90000



Order No. L6.51640, Photo © Daniel Perales



Order No. L6.51642, Photo © Lucia Bartl

Play value

The horizontal net structure is a nice challenge even for smaller children who like to try out their artistic skills and sense of balance. As the net provides enough space to accommodate many children at the same time, it is well suited for heavily frequented playgrounds. The horizontal net surface also invites them to take a short break before resuming play activities.



Order No. L6.51640 Horizontal triangular net, wide-meshed, Photo © Daniel Perales



Order No. L6.51642 with fine-meshed net, Photo © Lucia Bartl

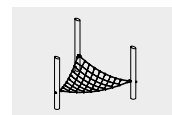
Fundamental characteristics

- Child-oriented dimensions according to ergonomic knowledge
- Incentive for playing: chance to lie down and rest
- Movement: climbing, sitting, balancing, role-playing games

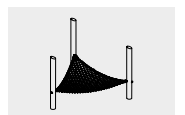
Recommended for

- Kindergarten children
- School children
- Supervised play areas, such as kindergartens, schools, after-school programmes or similar
- Public play areas without supervision, such as playgrounds, parks or similar

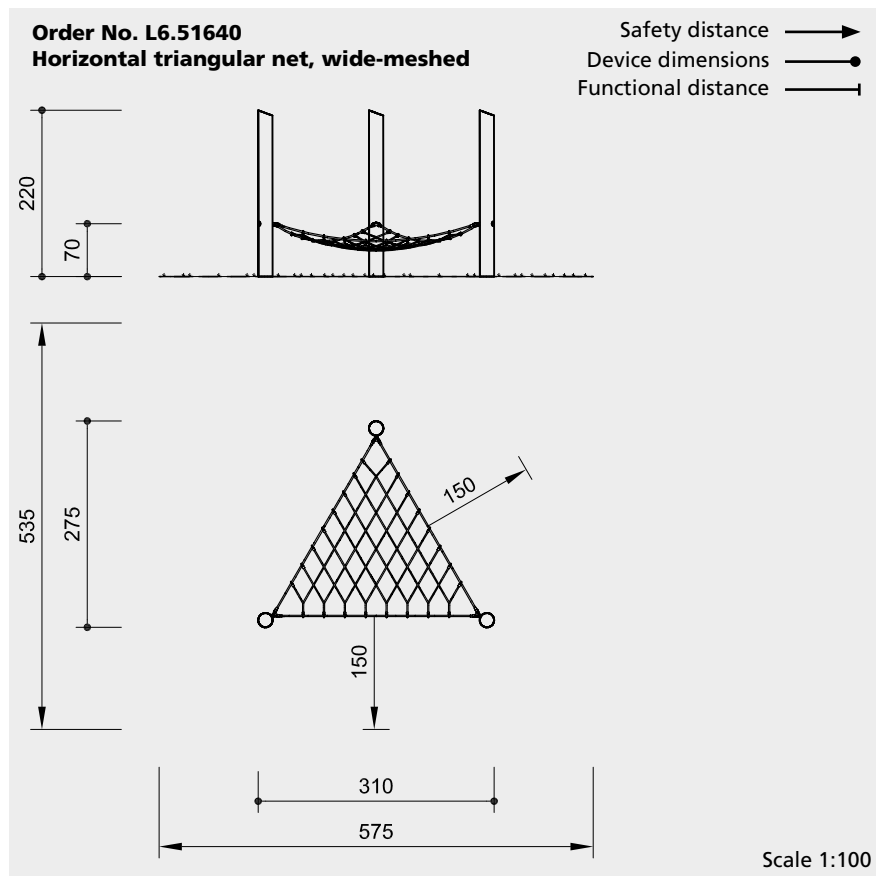
Horizontal triangular net, wide-meshed
Horizontal triangular net, fine-meshed



L6.51640



L6.51642



Safety check according to DIN EN 1176

Components

Order No. L6.51640

- 1 Wide-meshed Net
- 3 Stand posts with steel feet

Order No. L6.51642

- 1 Fine-meshed Net
- 3 Stand posts with steel feet

Installation information

Surfacing requirements corresponding to a fall height of ≤ 1.50 m (please refer to price list for more detailed information)

Foundations
 3 items 80 x 80 x 60 cm
 Excavation depth 80 cm

Attention:
Exact measurements may vary, for all installation dimensions refer to current installation instructions.
 Technical changes reserved.

Technical information

Equipment made of non-impregnated mountain larch

Peeled white

Palisades peeled white means that bark, cambium and sapwood are removed, the natural shape of the trunk is preserved and can be experienced



Bevel cut

Vertical stand posts with bevelled end grain section as constructive wood preservation measure



Hercules rope

Hercules rope, for spliced net connections. A compound of steel rope for the core and polyester or polyamide yarn for the sheath. High abrasion resistance, 4 or 6 strands



Rope connection with joint

Close-fitting connection with joint, without dangerous openings, with sintered bush and adjustable screw connection



Adjustable

Adjustable two-piece bolt connection, easy to maintain, no projecting threads



Sintered bush

For all reciprocating movements we use sintered plain bearings which are self-lubricating in use and can easily be exchanged if necessary



Ground anchor

All parts used for anchoring to the ground are made of hot-dip galvanised steel or stainless steel

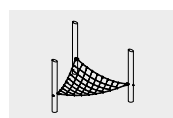


For more detailed explanation of the quality characteristics see price list.

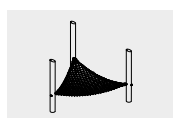
Dimensions

(small deviations possible)

Height	2.20 m
Width	3.10 m
Length	2.75 m
Weight	200 kg



L6.51640



L6.51642

Play value

Thanks to its various degrees of difficulty at different heights, the Climbing Forest is a thrilling challenge for children and adults who love to exercise and enjoy testing their strength and capabilities. As the trunks and ropes provide enough space to accommodate large numbers of adventurers at the same time, the Climbing Forest is well suited for heavily frequented playgrounds.



The standard colour of ropes red

Climbing together, moving hand over hand and balancing require skill and prudence. Children improve their motor skills and their ability to assess risks in a playful manner. Encounters on a rocking rope mean that you have to coordinate what you do with the other person. Having overcome a seemingly impossible obstacle strengthens the children's self-esteem – the proud expression on their faces when they reach the top of the Climbing Forest speaks for itself. The younger and older climbers joyfully experience how concentration and stamina help accomplish great goals.

Recommended for

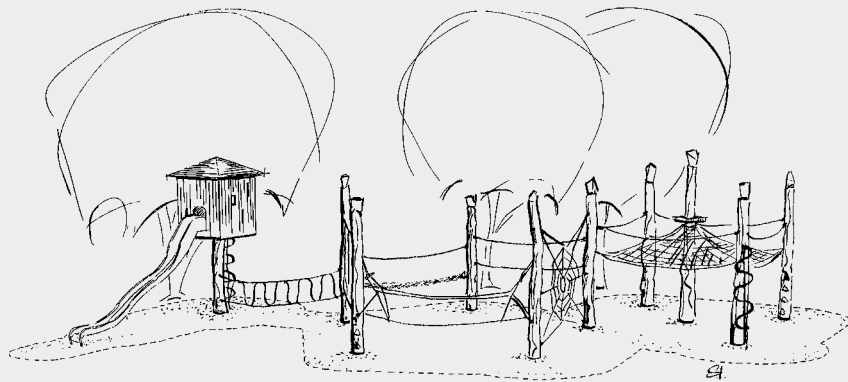
- School children
- Young people
- Supervised play areas, such as kindergartens, schools, after-school programmes or similar
- Public play areas without supervision, such as playgrounds, parks or similar
- Leisure parks

Climbing Forest



10.80001

Order No. 10.80001
Climbing Forest
Design example 01



Safety check according to DIN EN 1176

Components

- 10 Trunks
- 1 Tree house
- 1 Stainless steel slide with wave and higher sides, **Order No. 3.63225**
- 1 Parallel rope, length 5.00 m
- 1 Walk rope with 3 grip ropes
- 1 Nepalese rope bridge, length 5.00 m
- 1 Spider's web, width 5.00 m
- 1 PP rope with hand rope
- 1 Walk rope with hand rope
- 1 Horizontal square net on lookout with 4 rope handrails
- 2 Indian ladders
- 6 Bundles of support ledgers (= 40 items)

Peg out plans and rope plans

Trademark

30 2005 500 000 Germany
 40-0682207 South Korea

Installation information

Surfacing requirements corresponding to a fall height of ≤ 3.00 m (please refer to price list for more detailed information)

Foundations
 Ø 150 - 200 cm,
 Excavation depth 50 - 75 cm

Technical information

Trunks made of oak, non-impregnated mountain larch

Peeled white

Palisades peeled white means that bark, cambium and sapwood are removed, the natural shape of the trunk is preserved and can be experienced



Bevel cut

Vertical stand posts with bevelled end grain section as constructive wood preservation measure



Core-free

Sawn-timbers core-free, thus decreasing occurrences of cracking and undesired changes in shape



Richter Hercules type rope

Richter Hercules type rope, a combination of galvanised six-strand steel cables and polyester yarn, diameter > 20 mm, laid and glued with very good abrasion resistance, strong sheathing even in the case of damage by puncturing



Hercules rope

Hercules rope, for spliced net connections. A compound of steel rope for the core and polyester or polyamide yarn for the sheath. High abrasion resistance, 4 or 6 strands



Aluminium rope pressing

Aluminium rope pressing, cylindrically pressed, with rounded ends



S-connectors

S-connectors Ø 8.1 mm, made of high-quality stainless steel, rounded



Universal joint

Drop-forged, hot-dip galvanised universal joint, consists of two sintered bushes, for free swinging in any direction



Rotating rope connection

Rotatable fitting without dangerous openings, with sintered bush with integrated swivel to ensure the rope untwists



Adjustable

Adjustable two-piece bolt connection, easy to maintain, no projecting threads



Sintered bush

For all reciprocating movements we use sintered plain bearings which are self-lubricating in use and can easily be exchanged if necessary



Ground anchor

All parts used for anchoring to the ground are made of hot-dip galvanised steel or stainless steel



Stainless Chains

Chains made of steel with high corrosion resistance. Short-linked, without eyelets on the connecting parts, easily replaceable and simple shortening



For more detailed explanation of the quality characteristics see price list.



10.80001

Concept

- Climbing in lofty heights or just above the ground
- Climbing trunks and ropes are the basic elements, ideally ‚planted‘ between large living trees.
- For publicly accessible and unsupervised areas; The climbing forest is not a high ropes course. Therefore, no helmets, safety belts, or supervisory personnel are necessary



Photo © Tristan Filippone

Design characteristics

- Individually planned installation with graded difficulty levels for big and small
- Logs from 100 to 200 year old oak trees in natural growth form, therefore larger variety of height and span width is possible
- Handcrafted with a clear message: „function defines form“

The Climbing Forest is a modular system made of strong oak trunks and rope climbing connections. The elements may be arranged in a vast number of ways, for example to form a circuit or a swerving path around existing trees. We will design an individual arrangement according to your terrain and the available space. You will find an overview of our individual elements on the following pages.

Planning information

So that we can plan a climbing forest we require the following information:

- Plan of site with scale, reference measurements, north point, height details
- Tree register, photos
- Details of the position of supply lines in the earth or above it
- Budget

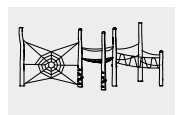


The standard colour of ropes red, Photo © Tristan Filippone

Climbing Forest

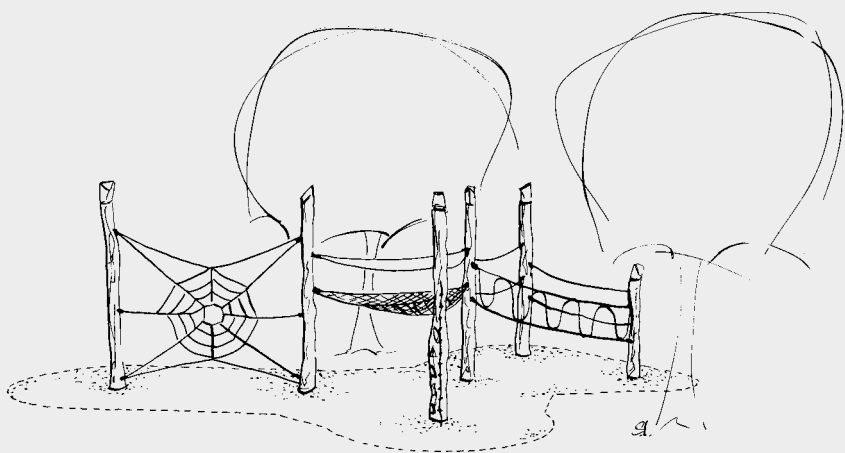


Photo © Tristan Filippone



10.80002

Order No. 10.80002
Climbing Forest
Design example 02



Safety check according to DIN EN 1176

Components

- 6 Trunks
- 1 Spider's web, width 5.00 m
- 1 Horizontal triangular net with 3 rope handrails
- 1 Parallel rope, length 4.00 m
- 2 Walk ropes with hand ropes
- 1 Knot rope
- 4 Bundles of support ledgers (= 24 items)

Peg out plans and rope plans

Trademark

30 2005 500 000 Germany
 40-0682207 South Korea

Installation information

Surfacing requirements corresponding to a fall height of ≤ 3.00 m (please refer to price list for more detailed information)

Foundations
 Ø 150 - 200 cm,
 Excavation depth 50 - 75 cm

Technical information

Trunks made of oak

Peeled white

Palisades peeled white means that bark, cambium and sapwood are removed, the natural shape of the trunk is preserved and can be experienced



Bevel cut

Vertical stand posts with bevelled end grain section as constructive wood preservation measure



Richter Hercules type rope

Richter Hercules type rope, a combination of galvanised six-strand steel cables and polyester yarn, diameter > 20 mm, laid and glued with very good abrasion resistance, strong sheathing even in the case of damage by puncturing



Hercules rope

Hercules rope, for spliced net connections. A compound of steel rope for the core and polyester or polyamide yarn for the sheath. High abrasion resistance, 4 or 6 strands



Aluminium rope pressing

Aluminium rope pressing, cylindrically pressed, with rounded ends



S-connectors

S-connectors Ø 8.1 mm, made of high-quality stainless steel, rounded



Universal joint

Drop-forged, hot-dip galvanised universal joint, consists of two sintered bushes, for free swinging in any direction



Rotating rope connection

Rotatable fitting without dangerous openings, with sintered bush with integrated swivel to ensure the rope untwists



Adjustable

Adjustable two-piece bolt connection, easy to maintain, no projecting threads



Sintered bush

For all reciprocating movements we use sintered plain bearings which are self-lubricating in use and can easily be exchanged if necessary



Ground anchor

All parts used for anchoring to the ground are made of hot-dip galvanised steel or stainless steel

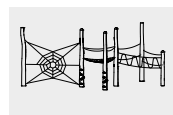


Stainless Chains

Chains made of steel with high corrosion resistance. Short-linked, without eyelets on the connecting parts, easily replaceable and simple shortening



For more detailed explanation of the quality characteristics see price list.



10.80002



Photo © Daniel Perales



Standard colour of ropes: red.



Standard colour of ropes: red.



Standard colour of ropes: red.

Safety

The Climbing Forest complies with the currently applicable playground equipment standard, DIN EN 1176 Safety inspection and safety approval can be carried out following installation on-site. As laid down in the standard, there is no free fall height over 3 m. Above this height, net tunnels can be used or nets can be installed at intermediate levels.

Delivery and assembly (on-site)

take place in 3 steps:

1. Earth and foundation work

2. First part of delivery

Assembly of trunks and rope elements with fixed lengths; determination of the lengths of the customised rope elements

3. Second part of delivery

Assembly of customised rope elements



Photo © David Hannah

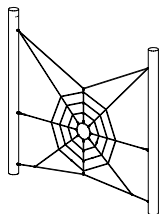


**Climbing Forest
Combination Elements**

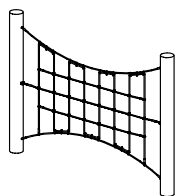


10.80000

In the following you will find a list of elements our climbing forests can be combined from. We would be happy to plan your individual climbing forest.



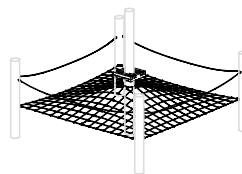
Spiderweb



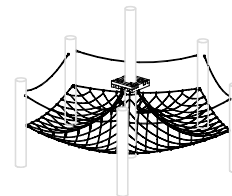
Vertical Climbing Net



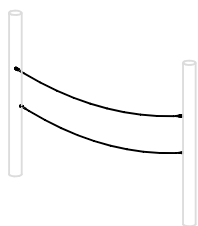
Horizontal Triangular Net



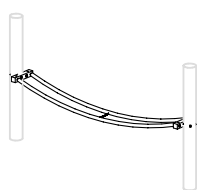
Horizontal Square Net



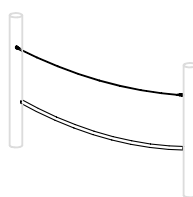
Horizontal Pentagonal Net



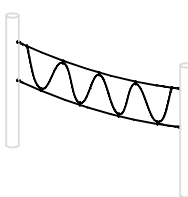
Walk Rope with Hand Rope



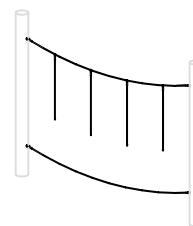
Double PP Rope



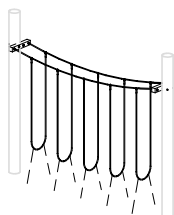
PP Rope with Hand Rope



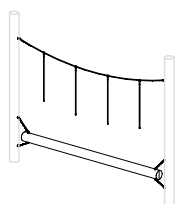
Parallel Rope



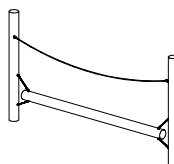
Grip Ropes with Walk Rope



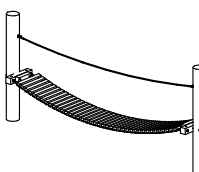
Dangling Walk



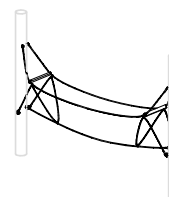
Balancing Beam with Grip Ropes



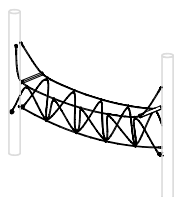
Balancing Beam with Hand Rope



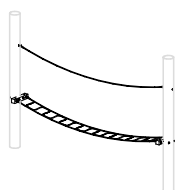
Suspension Bridge with Hand Rope



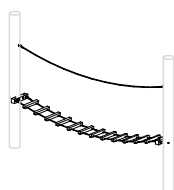
Nepalese Rope Bridge



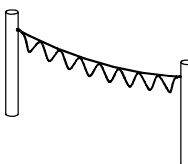
Three-Rope Bridge



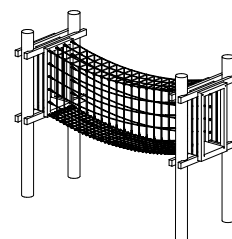
Wobbly Bridge with Hand Rope



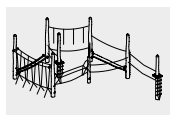
Ladder Bridge with Hand Rope



Monkey Loops



Net Tunnel Bridge



10.80000



Photo © Tristan Filippone



Standard colour of ropes: red



Standard colour of ropes: red



Standard colour of ropes: red



Standard colour of ropes: red



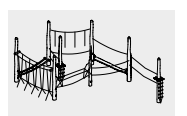
Standard colour of ropes: red

**Climbing Forest
Combination Elements**

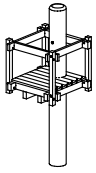
© Richter Spielgeräte GmbH 06/22



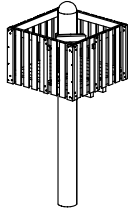
Design W. Graubner



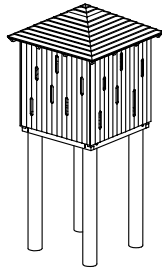
10.80000



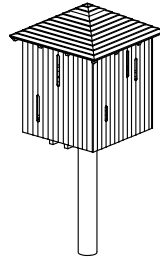
Small Crow's Nest



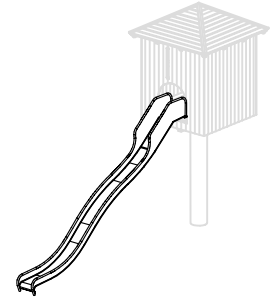
Large Crow's Nest



Tree House with 4 trunks



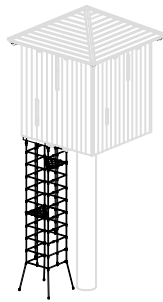
Tree House with 1 trunk



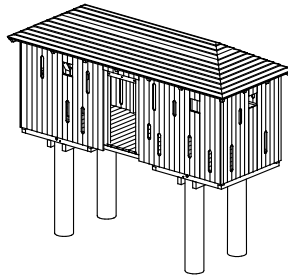
Slides



Nest Box



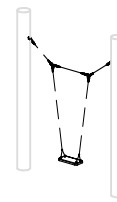
Net Tunnel as way up



Long Tree House



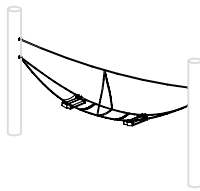
Hammock



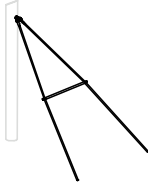
Swing



Whisk



Double Hammock Seat



Rope Bar



Horizontal Bar



Lookout with Rope Ladder



Trunk



Trunk with Steps



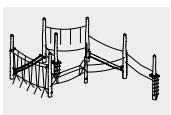
Climbing Trunk



Indian Ladder



Knot Rope



10.80000

Play value

Even landlubbers want to go to sea on our Sailing Boat. Just as in real life, young explorers can rock on the "waves". All the more with someone standing at the mast to make sure that there is a strong wind blowing. A sailor with less courage can sit next to the tiller and maintain the course. Even when there is a violent storm, the passengers don't fall off because they can hold on tight everywhere. The Sailing Boat encourages numerous activities and role-playing games.



Order No. 6.03201 Sailing Boat with Flag,
Photo © Paul Upward



Order No. 6.03200 Sailing Boat with Flag, Photo © Paul Upward

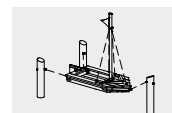
Fundamental characteristics

- Unique and original
- Three-point suspension evokes the illusion of being on a sailing boat
- Incentive for playing: shape, mast guy
- Movement: moving one's centre of gravity, rocking, swinging

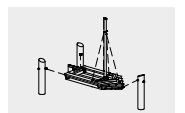
Recommended for

- Kindergarten children
- School children
- Supervised play areas, such as kindergartens, schools, after-school programmes or similar
- Public play areas without supervision, such as playgrounds, parks or similar

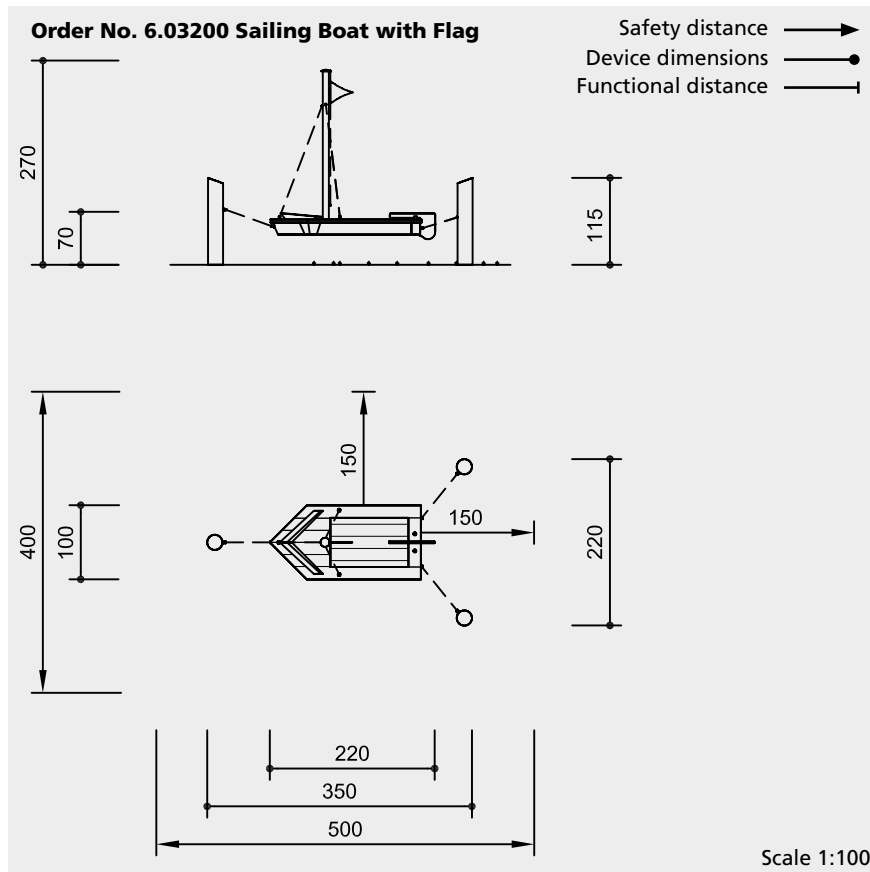
**Sailing Boat with Flag
Sailing Boat without Flag**



6.03200 / 6.03201



6.03210



Safety check according to DIN EN 1176

Components

Order No. 6.03200 Sailing Boat with Flag
 1 Ship with mast and tiller
 3 Stand posts of robinia
 1 Hoistable flag

Order No. 6.03201 Sailing Boat with Flag
 As above but with stand posts made of galvanised steel tube Ø 178 mm

Order No. 6.03210 Sailing Boat without Flag
 1 Ship with mast and tiller
 3 Stand posts of robinia

Installation information

Surfacing requirements corresponding to a fall height of ≤ 1.00 m (please refer to price list for more detailed information)

Foundations
 3 items 80 x 80 x 80 cm
 Excavation depth 100 cm

Attention:
Exact measurements may vary; for all installation dimensions refer to current assembly instructions.
 Technical changes reserved.

Dimensions
 (small deviations possible)

Length 3.50 m
 Width 2.20 m
 Seat height 0.70 m
 Weight

Order No. 6.03200
 Sailing Boat with Flag 300 kg
Order No. 6.03201
 Sailing Boat with Flag 275 kg
Order No. 6.03210
 Sailing Boat 285 kg

Technical information

Equipment made of non-impregnated mountain larch / robinia

Peeled white
 Palisades peeled white means that bark, cambium and sapwood are removed, the natural shape of the trunk is preserved and can be experienced



Bevel cut
 Vertical stand posts with bevelled end grain section as constructive wood preservation measure



Core-free
 Sawn-timbers core-free, thus decreasing occurrences of cracking and undesired changes in shape



Tongue and groove
 Tongue and groove planks made of 4 cm solid wood, highly resilient, no trickling of dust / sand, protection against direct rain



Universal joint
 Drop-forged, hot-dip galvanised universal joint, consists of two sintered bushes, for free swinging in any direction



Profiled washer
 Profiled washer for covering protruding screw heads according to standard, improved pressure distribution and protection against water. Impedes loosening the bolt



Adjustable
 Adjustable two-piece bolt connection, easy to maintain, no projecting threads



Sintered bush
 For all reciprocating movements we use sintered plain bearings which are self-lubricating in use and can easily be exchanged if necessary



Chains
 Chains made of hot-dip galvanized steel (1.4301 / 1.4571 at extra charge) welded before galvanising, short-linked, without eyelets on the connecting parts, easy to exchange and shorten



Fittings hot-dip galvanised

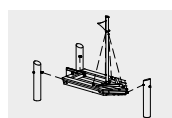
Flag made of weatherproof PVC fabric

Order No. 6.03201 Sailing Boat with Flag
 with hot-dip galvanised stand posts

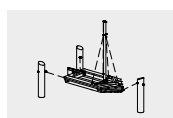
Ground anchor
 All parts used for anchoring to the ground are made of hot-dip galvanised steel or stainless steel



For more detailed explanation of the quality characteristics see price list.



6.03200 / 6.03201



6.03210



Photo © imagIN visual promotions

Play value

Little ones and big ones can go on a journey with our little Jet Plane. The childish explorers can fly merrily through the clouds, especially when someone sits or stands on the wings and provides a strong wind. The pilot sits in the cockpit and holds the course. You don't fall down even in a heavy storm because you can hold on tight everywhere. The Jet Plane encourages many movement activities and role-playing games.

Fundamental characteristics

- Unique and original
- Three-point suspension evokes the illusion of being on a sailing boat
- Incentive for playing: role-playing games
- Movement: moving one's centre of gravity, rocking, swinging

Recommended for

- Kindergarten children
- School children
- Supervised play areas, such as kindergartens, schools, after-school programmes or similar
- Public play areas without supervision, such as playgrounds, parks or similar



Photo © imagIN visual promotions

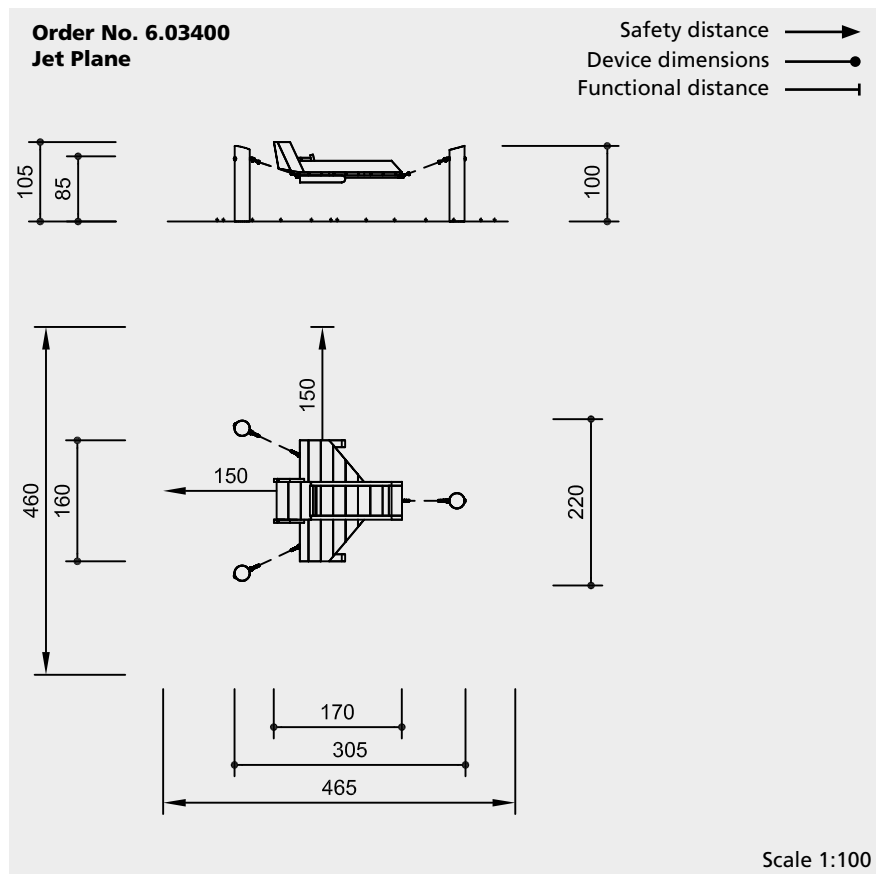
Jet Plane

© Richter Spielgeräte GmbH 06/22

Design G. Beltzig



6.03400



Safety check according to DIN EN 1176

Components

- 1 Jet Plane
- 3 Stand posts of robinia

Installation information

Surfacing requirements corresponding to a fall height of ≤ 1.00 m (please refer to price list for more detailed information)

Foundations
3 items 80 x 80 x 80 cm
Excavation depth 100 cm

Attention:
Exact measurements may vary;
for all installation dimensions refer
to current assembly instructions.
Technical changes reserved.

Technical information

Equipment made of non-impregnated mountain larch / robinia

Peeled white

Palisades peeled white means that bark, cambium and sapwood are removed, the natural shape of the trunk is preserved and can be experienced



Bevel cut

Vertical stand posts with bevelled end grain section as constructive wood preservation measure



Core-free

Sawn-timbers core-free, thus decreasing occurrences of cracking and undesired changes in shape



Tongue and groove

Tongue and groove planks made of 4 cm solid wood, highly resilient, no trickling of dust / sand, protection against direct rain



Universal joint

Drop-forged, hot-dip galvanised universal joint, consists of two sintered bushes, for free swinging in any direction



Profiled washer

Profiled washer for covering protruding screw heads according to standard, improved pressure distribution and protection against water. Impedes loosening the bolt



Adjustable

Adjustable two-piece bolt connection, easy to maintain, no projecting threads



Sintered bush

For all reciprocating movements we use sintered plain bearings which are self-lubricating in use and can easily be exchanged if necessary



Chains

Chains made of hot-dip galvanized steel (1.4301 / 1.4571 at extra charge) welded before galvanising, short-linked, without eyelets on the connecting parts, easy to exchange and shorten



For more detailed explanation of the quality characteristics see price list.

Fittings hot-dip galvanised

Dimensions

(small deviations possible)

Length	3.05 m
Width	2.20 m
Seat height	0.85 m
Weight	300 kg



6.03400



Play value

The Rocker is especially fun when several children set it in motion by moving around on it. The centre pole is ideal for holding on to and enjoying the fun even when the rocker is dipping sharply, because the weights are unevenly placed. The small platform is fastened to the foundation by three springs and is very durable.



Fundamental characteristics

- Incentive for playing: round wooden surface, pole for holding on, springs
- Movement: bouncing, shaking, wobbling, moving one's centre of gravity

Recommended for


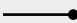
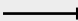
- Kindergarten children
- School children
- Supervised play areas, such as kindergartens, schools, after-school programmes or similar
- Public play areas without supervision, such as playgrounds, parks or similar
- Swimming pools without supervision, such as outdoor pools, adventure pools or similar

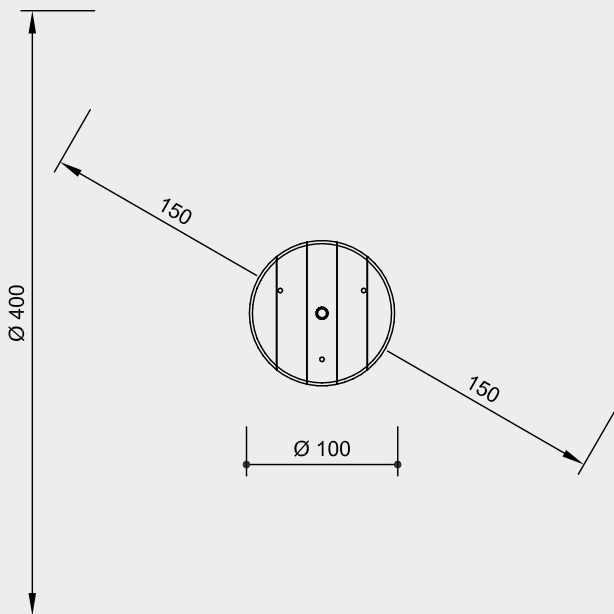
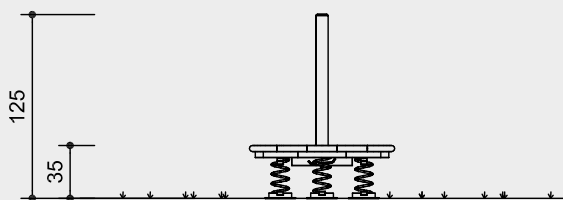
Rocker



6.04000

Order No. 6.04000
Rocker

Safety distance 
Device dimensions 
Functional distance 



Scale 1:50

Safety check according to DIN EN 1176

Components

- 1 Rocker complete with 3 springs
- 1 Foundation frame

Installation information

Surfacing requirements corresponding to a fall height of ≤ 0.60 m (please refer to price list for more detailed information)

Foundations
1 item $\varnothing 80$ cm x 30 cm
Excavation depth 35 cm

Attention:
Exact measurements may vary;
for all installation dimensions refer to current assembly instructions.
Technical changes reserved.

Technical information

Equipment made of non-impregnated mountain larch

Core-free

Sawn-timbers core-free, thus decreasing occurrences of cracking and undesired changes in shape



Ground anchor

All parts used for anchoring to the ground are made of hot-dip galvanised steel or stainless steel



For more detailed explanation of the quality characteristics see price list.

Plate of 45 mm thick boards, screwed together with expansion joints

Fastening elements hot-dip galvanised

Coated springs, standard colour red

Dimensions

(small deviations possible)

Height, total	1.25 m
Height, plate	0.35 m
Plate diameter	1.00 m
Round pole diameter	80 mm
Weight	60 kg



6.04000

Play value

Children love situations in which they can show their skill. The Totter Beam is an amusing activity that inspires competitiveness. When children move around, their activity sets the beam in motion and the shaking and tottering leads to someone not being able to hold on, especially if another participant is determined to help out. It's harmless fun that many can take part in.



© Richter Spielgeräte GmbH 06/22

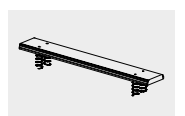
Totter Beam

Fundamental characteristics

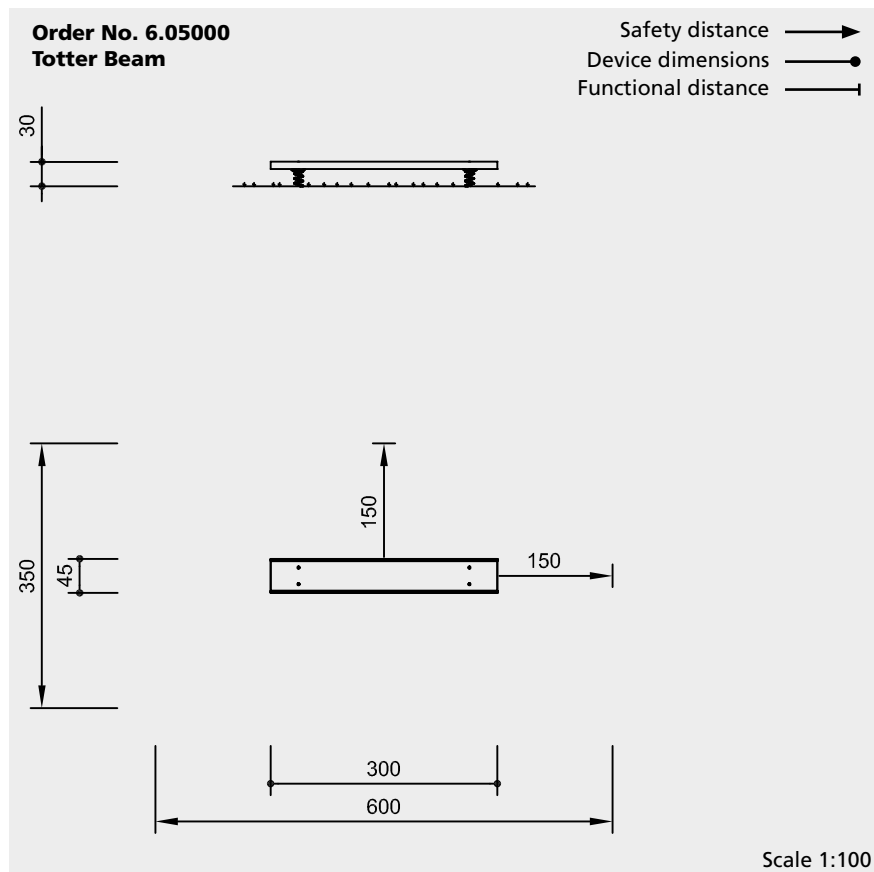
- Incentive for playing: board mounted on springs, curiosity
- Movement: balance, moving one's centre of gravity, bouncing, wobbling

Recommended for

- Kindergarten children
- School children
- Supervised play areas, such as kindergartens, schools, after-school programmes or similar
- Public play areas without supervision, such as playgrounds, parks or similar



6.05000



Safety check according to DIN EN 1176

Components

- 1 Totter Beam with 4 springs
- 4 Foundation irons

Installation information

Surfacing requirements corresponding to a fall height of ≤ 0.60 m (please refer to price list for more detailed information)

Foundations
2 items 30 x 40 x 25 cm
Excavation depth 30 cm

Attention:
Exact measurements may vary;
for all installation dimensions refer
to current assembly instructions.
Technical changes reserved.

Technical information

Equipment made of non-impregnated mountain larch

Core-free

Sawn-timbers core-free, thus decreasing occurrences of cracking and undesired changes in shape



Ground anchor

All parts used for anchoring to the ground are made of hot-dip galvanised steel or stainless steel



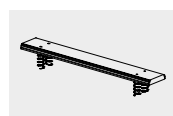
For more detailed explanation of the quality characteristics see price list.

Coated springs,
Standard colour red

Dimensions

(small deviations possible)

Height	0.30 m
Length	3.00 m
Width	0.45 m
Weight	100 kg



6.05000

Play value

Whoever first discovers the ship can storm it and take over one of the two seats. But you can only really set sail if the seat opposite you is occupied. Then all activities become concentrated on bringing about a to and fro movement. The pliability of the big tyre allows wave-like movements in all directions. The children are able to clearly perceive the interaction of cooperative exertion of force on the intensity of the tilt. In order not to slide out of the seat, the children spontaneously grip onto the side walls of the ship. Passengers are welcome to increase the collective experience.



Photo © Tristan Filippone



Swaying Ship

Fundamental characteristics

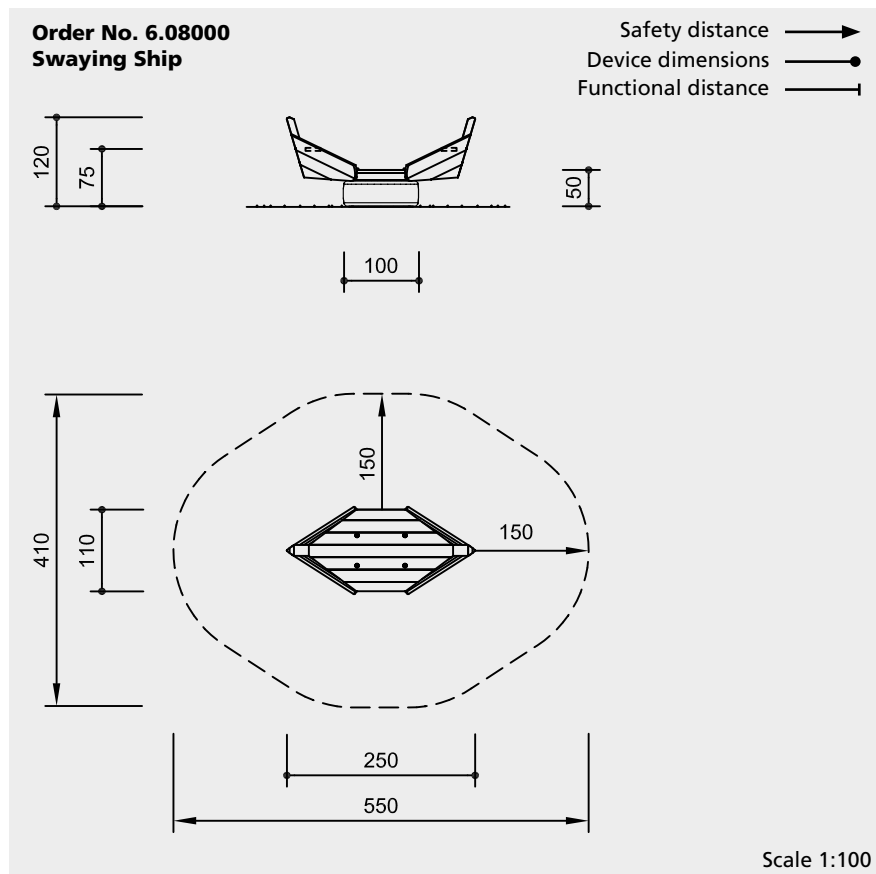
- Appealing design thanks to the slanted surface elements
- Role-playing games
- Movement: keeping an upright seating position, training for the safety reflex, overcoming differences in height

Recommended for

- Kindergarten children
- Supervised play areas, such as kindergartens, schools, after-school programmes or similar
- Public play areas without supervision, such as playgrounds, parks or similar



6.08000



Safety check according to DIN EN 1176

Components

- 1 Ship
- 1 Rubber tyre
- 1 Concrete foundation pedestal

Installation information

Surfacing requirements corresponding to a fall height of ≤ 1.00 m (please refer to price list for more detailed information)

Foundations
Excavation for concrete foundation pedestal $\varnothing 1.20 \times 0.60$ m

Attention:
Exact measurements may vary;
for all installation dimensions refer to current assembly instructions.
Technical changes reserved.

Technical information

Equipment made of non-impregnated mountain larch

Core-free

Sawn-timbers core-free, thus decreasing occurrences of cracking and undesired changes in shape



Tongue and groove

Tongue and groove planks made of 4 cm solid wood, highly resilient, no trickling of dust / sand, protection against direct rain



For more detailed explanation of the quality characteristics see price list.

Milled-off tyre

Concrete foundation pedestal as pre-cast foundation

Dimensions

(small deviations possible)

Height	1.20 m
Seat height	0.75 m
Floor height	0.50 m
Length	2.50 m
Width	1.10 m
Weight	1250 kg



6.08000

Play value

Effectively, the Cross Scales is a raised see-saw with hanging seats. The up and down movement can be carried-out with a slight spring to it or with full force. At the same time, a hard bump is damped by means of a mechanical spring system. Sideways swinging and even swinging in small circles is possible while sitting on the long hanging pendulum seats. The Cross Scales encourage communication and cooperation.



Order No. 6.10101 with stainless steel support frame



© Richter Spielgeräte GmbH 06/22

Cross Scales

Fundamental characteristics

- De-barked support posts inspire confidence
- Incentive for playing: high timber construction, suspended pendulum seats
- Movement: up and down, swaying, swinging



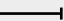
Recommended for

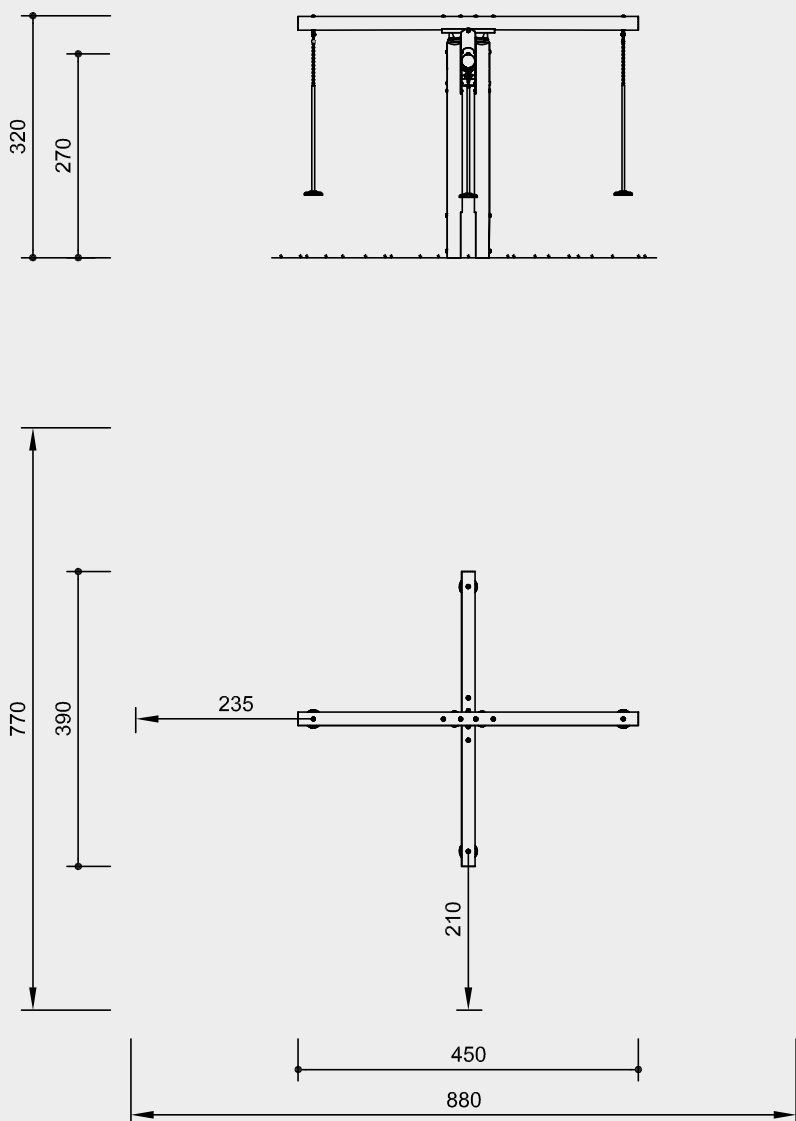
- School children
- Supervised play areas, such as schools, after-school programmes or similar
- Public play areas without supervision, such as playgrounds, parks or similar
- Swimming pools without supervision, such as outdoor pools, advent



L6.10100

Order No. L6.10100
Cross Scales

Safety distance 
Device dimensions 
Functional distance 



Scale 1:100

Safety check according to DIN EN 1176

Components

- 1 Support frame with steel feet and shock absorbing mechanism
- 2 Scale beams
- 4 Pendulum seats on universal joints

Installation information

Surfacing requirements corresponding to a fall height of ≤ 2.00 m (please refer to price list for more detailed information)

Foundations
1 item 100 x 100 x 60 cm
Excavation depth 80 cm

Attention:
Exact measurements may vary, for all installation dimensions refer to current installation instructions.

Technical changes reserved.
Equipment also available with stand frame made of steel (Order No. 6.10101).

Technical information

Equipment made of non-impregnated mountain larch

Peeled white

Palisades peeled white means that bark, cambium and sapwood are removed, the natural shape of the trunk is preserved and can be experienced



Bevel cut

Vertical stand posts with bevelled end grain section as constructive wood preservation measure



Pendulum seat

Pendulum seat with a large rubber surface. Soft, protective edge and steel insert



Universal joint

Drop-forged, hot-dip galvanised universal joint, consists of two sintered bushes, for free swinging in any direction



Profiled washer

Profiled washer for covering protruding screw heads according to standard, improved pressure distribution and protection against water. Impedes loosening the bolt



Adjustable

Adjustable two-piece bolt connection, easy to maintain, no projecting threads



Sintered bush

For all reciprocating movements we use sintered plain bearings which are self-lubricating in use and can easily be exchanged if necessary



Ground anchor

All parts used for anchoring to the ground are made of hot-dip galvanised steel or stainless steel



Chains

Chains made of hot-dip galvanized steel (1.4301 / 1.4571 at extra charge) welded before galvanising, short-linked, without eyelets on the connecting parts, easy to exchange and shorten



For more detailed explanation of the quality characteristics see price list.

Strong buffer mechanism, hot-dip galvanised

Dimensions

(small deviations possible)

Height	3.20 m
Length	4.50 m
Width	3.90 m
Weight	300 kg



L6.10100

Play value

See-sawing has a tremendous appeal for small children and children of school age. This can be seen already by the continual attempts to balance or rock to and fro on chairs, which can wear out the patience of many a parent and teacher. This type of play demonstrates how essential it is to have a good see-saw in every playground.



See-saw with Shock Absorber as special version with 4 hand grips



Order No. 6.11500 See-saw, Tyres on site

Fundamental characteristics

- See-saw beam inspires confidence
- Incentive for playing: grips, repeating familiar activities
- Movement: pushing oneself off, shifting one's weight

Order No 6.11000

See-saw with Shock Absorber

Inside the support tube there is a sturdy metal lever with double-sided rubber buffers, which, thanks to elaborate workmanship, ensures shock absorption of the See-saw movement.

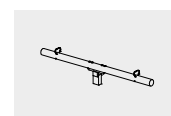
Recommended for

- Kindergarten children
- Supervised play areas, such as kindergartens, schools, after-school programmes or similar
- Public play areas without supervision, such as playgrounds, parks or similar
- Swimming pools without supervision, such as outdoor pools, adventure pools or similar

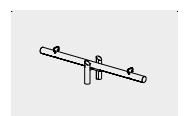
Planning information

To ensure that the see-saw movement of the See-saw **Order No. 6.11500** does not cause any impact damage to children's spines, a shock absorber is required just before the see-saw seat hits the ground (to be provided by customer), e. g. as depicted using tyres.

See-saw with Shock Absorber See-saw

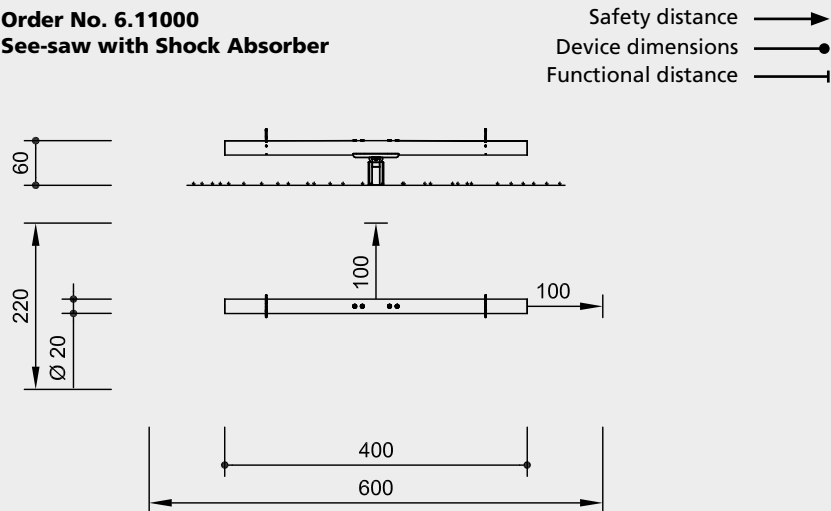


6.11000

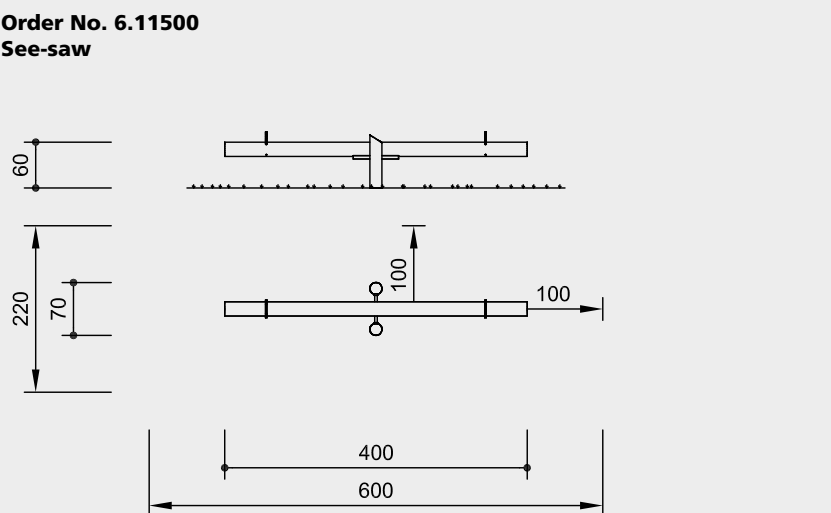


6.11500

Order No. 6.11000
See-saw with Shock Absorber



Order No. 6.11500
See-saw



Scale 1:100

Safety check according to DIN EN 1176

Components

Order No 6.11000

- 1 See-saw beam with 2 hand grips
- 1 support with integrated shock absorbers

Order No. 6.11500

- 1 See-saw beam with 2 hand grips
- 1 support frame made of robinia

Tyres for shock absorption not included!

Installation information

Surfacing requirements corresponding to a fall height of ≤ 1.00 m (please refer to price list for more detailed information)

Foundations

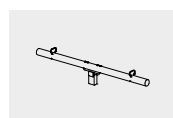
Order No 6.11000
See-saw with Shock Absorber

- 1 item 60 x 60 x 60 cm
- Excavation depth 80 cm

Order No. 6.11500
See-saw

- 1 item 60 x 100 x 60 cm
- Excavation depth 80 cm

Attention:
Exact measurements may vary;
for all installation dimensions refer
to current assembly instructions.
 Technical changes reserved.



6.11000



6.11500

Technical information

See-saw beam made of non-impregnated mountain larch

Peeled white

Palisades peeled white means that bark, cambium and sapwood are removed, the natural shape of the trunk is preserved and can be experienced



Profiled washer

Profiled washer for covering protruding screw heads according to standard, improved pressure distribution and protection against water. Impedes loosening the bolt



Sintered bush

For all reciprocating movements we use sintered plain bearings which are self-lubricating in use and can easily be exchanged if necessary



Relief cut

Targeted relief cut as an effective measure against cracks caused by drying. The cut defines the position of the stress equalization in the trunk and minimises natural cracking



Hand grips made of stainless steel, glass bead blasted

Order No 6.11000

See-saw with Shock Absorber

Hot-dip galvanised mechanism with rubber shock absorbers

Ground anchor

All parts used for anchoring to the ground are made of hot-dip galvanised steel or stainless steel



For more detailed explanation of the quality characteristics see price list.

Order No. 6.11500 See-saw

See-saw mechanism hot-dip galvanised
 Stand posts made of robinia

Dimensions

(small deviations possible)

Order No 6.11000

See-saw with Shock Absorber

Max. See-saw height	1.00 m
Length	4.00 m
Width diameter	0.20 m
Weight	135 kg

Order No. 6.11500

See-saw

Max. See-saw height	1.00 m
Length	4.00 m
Width diameter	0.70 m
Weight	120 kg



Photo © Paul Upward

Play value

Beam See-saws are available in different designs. The basic version has hand grips for two children, the beam is supported on a coloured metal axle. The Double See-saw has two grips on each side of the beam and can be used by four children at the same time. The Twin See-saw offers special fun as the see-saws are connected. Going up and down side by side is great fun.

Fundamental characteristics

- Progressive rubber buffers support the whole See-saw movement
- See-sawing is also possible alone
- Incentive for playing: coloured metal construction, grips
- Movement: see-sawing, pushing oneself off, shifting one's weight



Photo © Paul Upward



Order No. 6.11620 Twin See-saw, Photo © Barbara Evripidou



Order No. 6.11610 Double See-saw, Photo © Barbara Evripidou

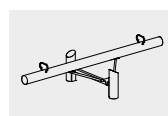
Recommended for

- Kindergarten children
- School children
- Supervised play areas, such as kindergartens, schools, after-school programmes or similar
- Public play areas without supervision, such as playgrounds, parks or similar

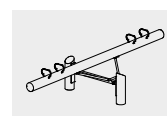
Barrier-free

- Special exercise experience

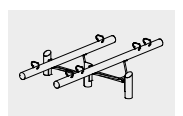
**Beam See-saw
Double See-saw
Twin See-saw**



6.11600



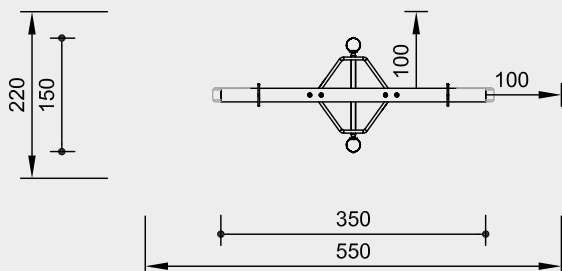
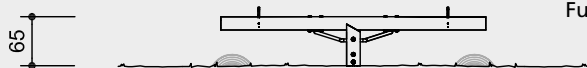
6.11610



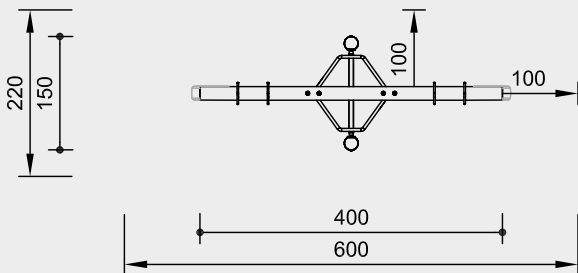
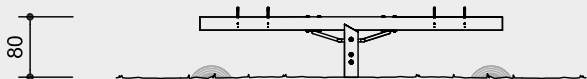
6.11620

Order No. 6.11600
Beam See-saw

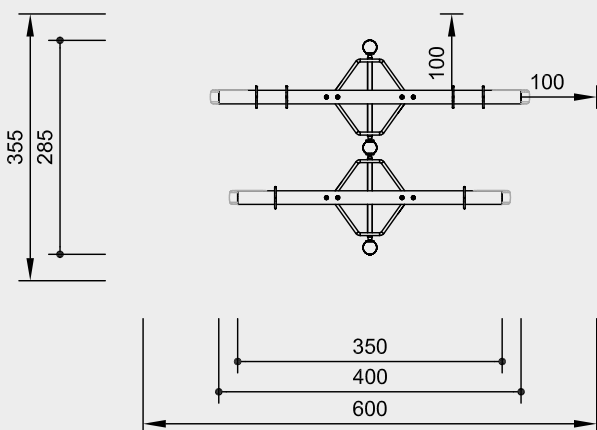
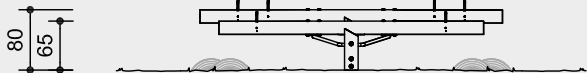
Safety distance 
Device dimensions 
Functional distance 



Order No. 6.11610
Double See-saw

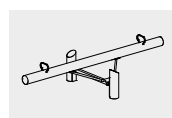


Order No. 6.11620
Twin See-saw

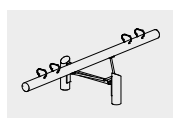


Scale 1:100

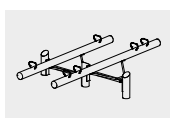
Safety check according to DIN EN 1176



6.11600



6.11610



6.11620

Technical information

See-saw beam de-barked, made of non-impregnated mountain larch

Peeled white

Palisades peeled white means that bark, cambium and sapwood are removed, the natural shape of the trunk is preserved and can be experienced



Relief cut

Targeted relief cut as an effective measure against cracks caused by drying. The cut defines the position of the stress equalization in the trunk and minimises natural cracking



For more detailed explanation of the quality characteristics see price list.

Support posts made of robinia, Ø 15 - 18 cm

See-saw mechanism with rubber buffers, lacquered, standard colour blue
Grips made of stainless steel, glass bead blasted

Dimensions

(small deviations possible)

Order No. 6.11600 Beam See-saw

Max. See-saw height	1.35 m
Length	3.50 m
Width	1.50 m
Weight	120 kg

Order No. 6.11610 Double See-saw

Max. See-saw height	1.35 m
Length	4.00 m
Width	1.50 m
Weight	140 kg

Order No. 6.11620 Twin See-saw

Max. See-saw height	1.35 m
Length	3.50 / 4.00 m
Width	2.85 m
Weight	250 kg

Components

- 1 or 2 See-saw beams with grips
- 1 or 2 See-saw mechanism(en)
- 2 or 3 Support posts

Tyres as additional shock absorbers on site.

Installation information

Surfacing requirements corresponding to a fall height of ≤ 1.50 m (please refer to price list for more detailed information)

Foundations

Order No. 6.11600
2 items 60 x 60 x 60 cm
Excavation depth 80 cm

Order No. 6.11610
2 items 60 x 60 x 60 cm
Excavation depth 80 cm

Order No. 6.11620
3 items 60 x 60 x 60 cm
Excavation depth 80 cm

Attention:

Exact measurements may vary; for all installation dimensions refer to current assembly instructions.
Technical changes reserved.

Play value

Rocking holds an almost inexhaustible attraction for small children. This can be seen by the way in which children persistently test their balance on chairs – bringing some parents to despair. That’s why every playground should have a see-saw. Our Small See-saw has a delightful shape and provides gentle see-sawing fun.



Photo © Daniel Perales



Photo © Jenny Halse



Photo © Jenny Halse



Fundamental characteristics

- High-quality design
- Incentive for playing: “riding”
- Movement: climbing up, see-saw

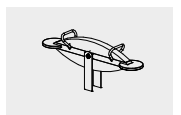
Recommended for

- Children under 3 years
- Kindergarten children
- Supervised play areas, such as kindergartens, schools, after-school programmes or similar
- Public play areas without supervision, such as playgrounds, parks or similar

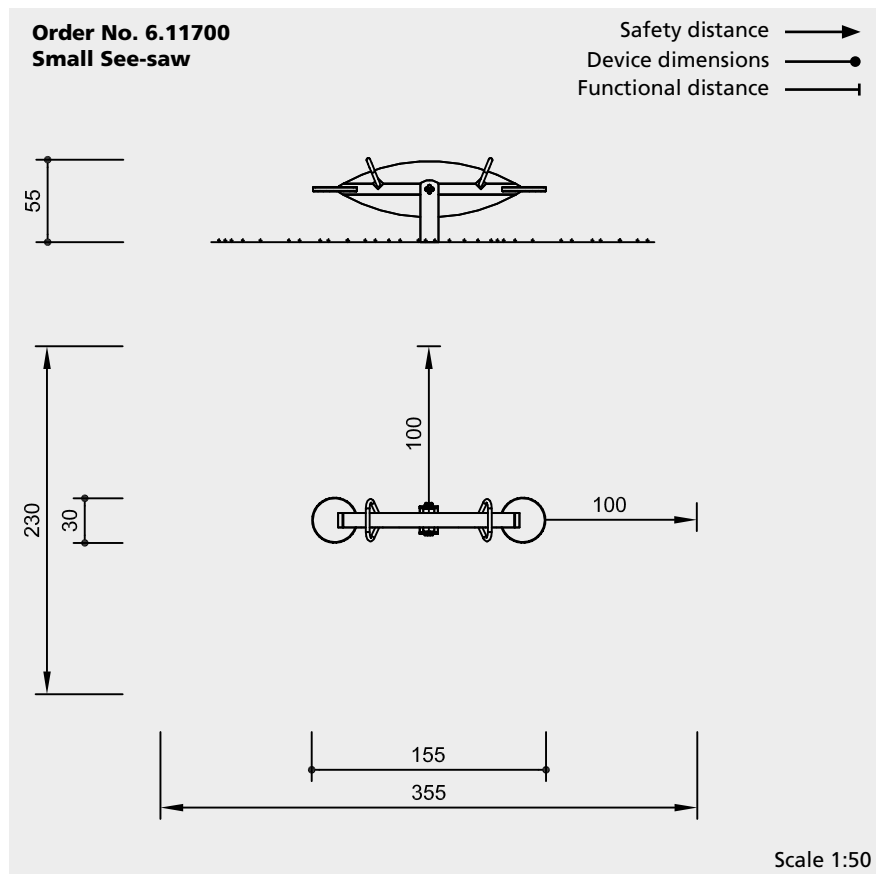
Small See-saw

© Richter Spielgeräte GmbH 06/22

Design P. Hannes



6.11700



Safety check according to DIN EN 1176

Components

- 1 Small See-saw complete with support frame

Installation information

Surfacing requirements
surfacing required as for critical fall height of ≤ 1.00 m (please refer to price list for more detailed information)

Foundations
1 item 50 x 80 x 50 cm
Excavation depth 70 cm

Attention:
Exact measurements may vary, for all installation dimensions refer to current installation instructions.
Technical changes reserved.

Technical information

Equipment made of non-impregnated mountain larch

Core-free

Sawn-timbers core-free, thus decreasing occurrences of cracking and undesired changes in shape



Laminated wood beams

Laminated wood beams made of non-impregnated larch, glued according to EN 14080:2013; for very large timber cross-sections; comparatively low shrinkage, almost completely free of cracks



Plywood

Plywood made of mountain larch, three-layer (3 cm) or five-layer (4 cm). High dimensional stability, waterproof, glued according to DIN EN 13353:2011



Ground anchor

All parts used for anchoring to the ground are made of hot-dip galvanised steel or stainless steel



For more detailed explanation of the quality characteristics see price list.

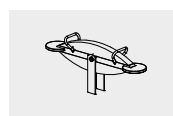
See-saw mechanism with rubber buffers, maintenance-free

Grips of stainless steel, glass bead blasted

Dimensions

(small deviations possible)

Height	0.55 m
Max. rocking height	0.80 m
Length	1.55 m
Width	0.30 m
Weight	55 kg



6.11700



Order No. 6.27005 Turning Tyre low version

Play value

A tyre is mounted on a rotatable, stable spiral spring. This makes a combined bouncing and pivoting movement possible, and the surprising angles ensure butterflies in the tummy. The swinging tyre is also perfect for relaxing on.

Fundamental characteristics

- The special construction of the spring provides for unexpected, soft swaying and turning
- Incentive for playing: high spiral spring
- Movement: see-sawing, swinging, wobbling, balancing

Recommended for

- Kindergarten children
- Supervised play areas, such as kindergartens, schools, after-school programmes or similar
- Public play areas without supervision, such as playgrounds, parks or similarr

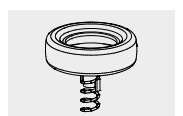


Order No. 6.27005 Turning Tyre low version and Order No. 6.27000 Turning Tyre



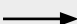
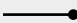

Order No. 6.27000 Turning Tyre

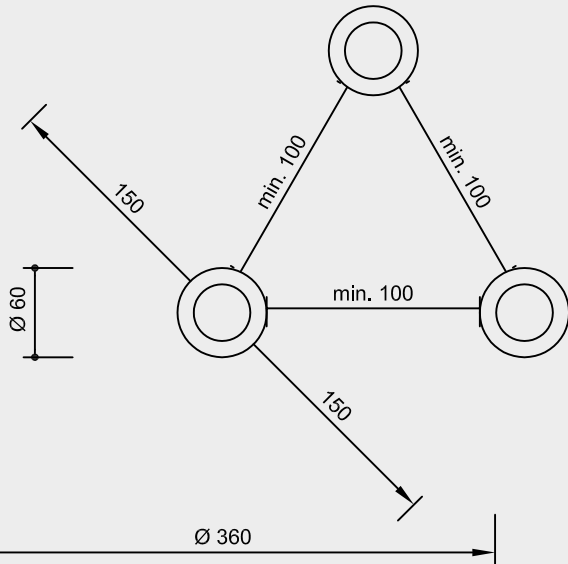
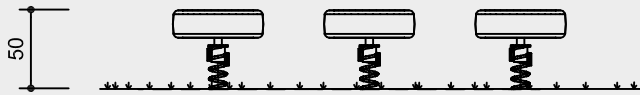
Turning Tyre
Turning Tyre low version
for small children



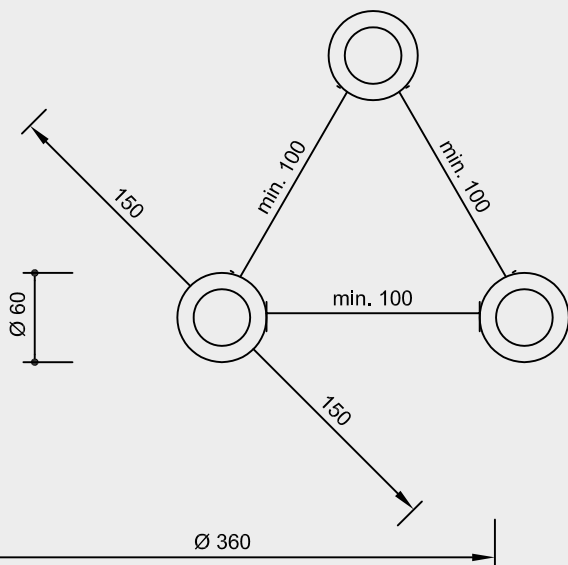
6.27000 / 6.27005

Order No. 6.27000
Turning Tyre

Safety distance 
Device dimensions 
Functional distance 



Order No. 6.27005
Turning Tyre low version for small children



Safety check according to DIN EN 1176

Scale 1:50

Technical information

Ground anchor

All parts used for anchoring to the ground are made of hot-dip galvanised steel or stainless steel



Roller bearings

Roller bearings made of stainless steel for rotating elements, easy to maintain and exchange, sealed



For more detailed explanation of the quality characteristics see price list.

Floor inside the tyre hot-dip galvanised

Spiral spring 19 mm thick wire, outer diameter 149 mm, screwed onto turning mechanism and foundation anchor with clamp profiles, standard colour purple

Dimensions

(small deviations possible)

Order No. 6.27000
Turning Tyre

Height	0.50 m
Diameter	0.60 m
Weight	40 kg

Order No. 6.27005
Turning Tyre low version for small children

Height	0.40 m
Diameter	0.60 m
Weight	40 kg

Components

Order No. 6.27000 / 6.27005

- 1 Tyre with floor, mounted on a spring, with swivel joint and hot-dip galvanised anchor

Installation information

Surfacing requirements as for critical fall height ≤ 1.00 m (please refer to price list for more detailed information)

Foundations

Order No. 6.27000
Turning Tyre

- 1 item 40 x 40 x 40 cm
- Excavation depth 50 cm

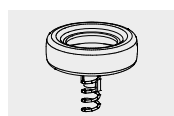
Order No. 6.27005
Turning Tyre low version for small children

- 1 item 40 x 40 x 40 cm
- Excavation depth 60 cm

Attention:

Exact measurements may vary, for all installation dimensions refer to current installation instructions.

Technical changes reserved.



6.27000 / 6.27005

Play value

The wooden beams „lying around accidentally“, belong to a sophisticated play construction which is not recognised at first glance. It is possible to rock on the wooden beams, to bounce up and down and to balance along them. This is a challenge for body control and co-ordination. When force and pressure are applied at one point of the system, the other beams move unexpectedly, as in the case of playing jackstraws. This effect is even more fun when several persons participate.



Photo © Jenny Halse



Photo © Jenny Halse

Jackstraws See-saw

Fundamental characteristics

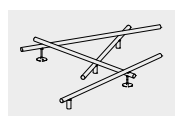
- Unique and original
- High-quality shock absorbing construction
- Incentive for playing: long beams invite for balancing
- Movement: balancing, bouncing up and down, rocking, sitting

Recommended for

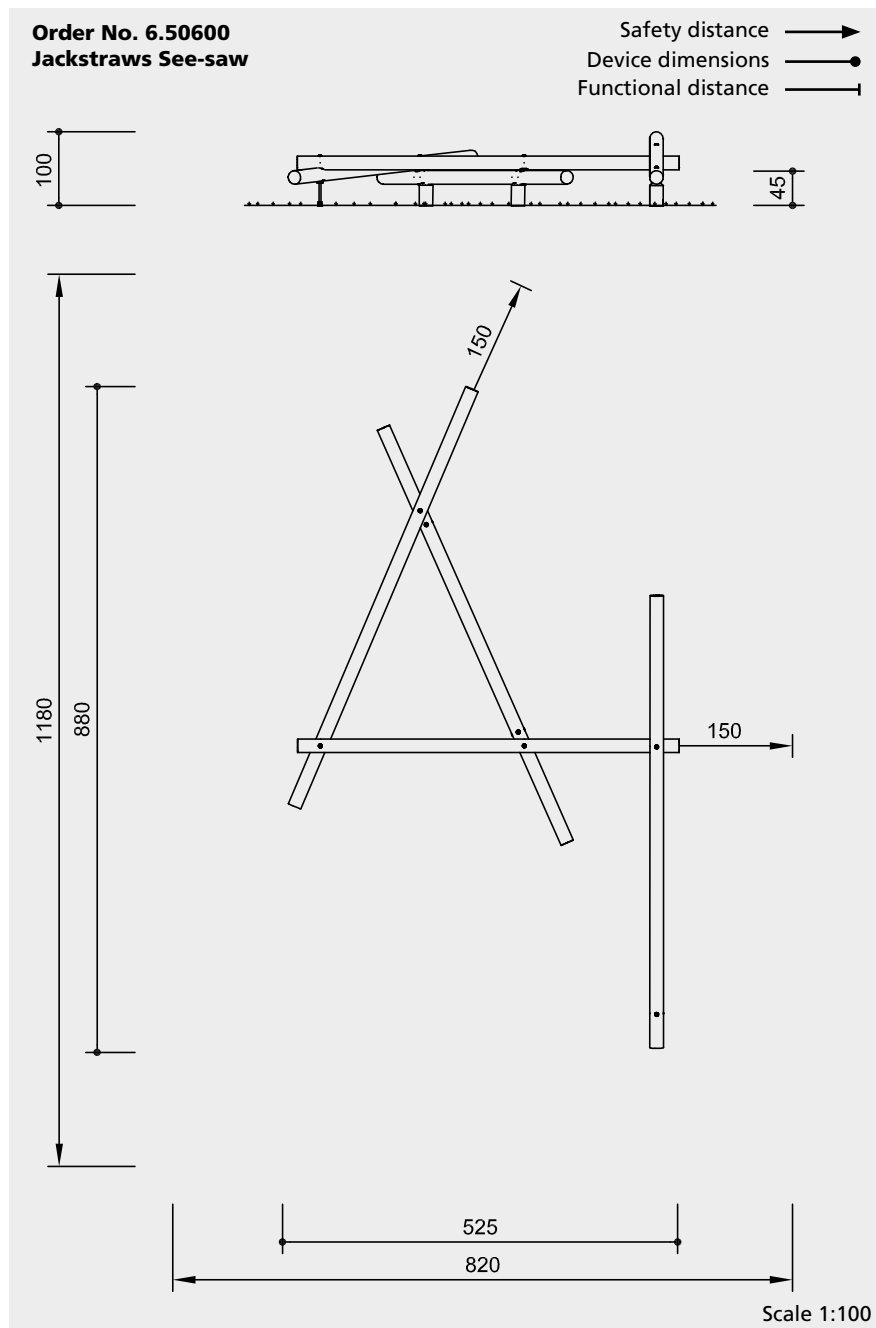
- School children
- Young people
- Supervised play areas, such as kindergartens, schools, after-school programmes or similar
- Public play areas without supervision, such as playgrounds, parks or similar

Planning information

To prevent the underground parts of the mechanism from being damaged, we strongly advise against installing the equipment in sand.



6.50600



Safety check according to DIN EN 1176

Components

- 4 Balancing beams
- 3 Support posts with steel feet
- 2 Shock absorbers on pre-fabricated concrete foundations

Installation information

Surfacing requirements corresponding to a fall height of ≤ 1.00 m (for more detailed information see price list)

Foundations
3 items 60 x 60 x 40 cm
Excavation depth 60 cm
2 pre-fabricated concrete foundations
Excavation 100 x 100 x 60 cm

Attention:
Exact measurements may vary; for all installation dimensions refer to current assembly instructions.
Technical changes reserved.

Technical information

Equipment made of non-impregnated mountain larch / robinia

Peeled white

Palisades peeled white means that bark, cambium and sapwood are removed, the natural shape of the trunk is preserved and can be experienced



Profiled washer

Profiled washer for covering protruding screw heads according to standard, improved pressure distribution and protection against water. Impedes loosening the bolt



Adjustable

Adjustable two-piece bolt connection, easy to maintain, no projecting threads



Interlocking

Interlocking connection, with milled metal rings or serrated disc dowels, to reinforce the bolt connection under high loads transverse to the grain direction of the wood



End grain connector

End grain connector as special fitting for the adjustable connection of horizontal and vertical timber



Ground anchor

All parts used for anchoring to the ground are made of hot-dip galvanised steel or stainless steel



Relief cut

Targeted relief cut as an effective measure against cracks caused by drying. The cut defines the position of the stress equalization in the trunk and minimises natural cracking



For more detailed explanation of the quality characteristics see price list.

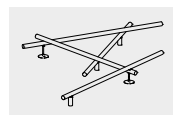
Moveable beams connected by rubber buffers

Impact of see-sawing absorbed by shock absorbers on pre-fabricated concrete foundations

Dimensions

(small deviations possible)

Height	1.00 m
Length of 3 beams	6.00 m
1 beam	5.05 m
Weight	550 kg



6.50600

Play value

The chief benefit of this piece of equipment is that it encourages people to pull together and to be aware of the need to cooperate with one another. Many children can see-saw and play with each other at the same time: the big children with the small, the heavy ones with the light ones, the old with the young. Here, play is with and against other people - even losing can be fun on this piece of equipment. Whether on foot, bicycle, moped, scooter, wheelchair or skateboard - fun is guaranteed. The big see-saw is a meeting place.



© Richter Spielgeräte GmbH 06/22

Big See-saw Platform

Fundamental characteristics

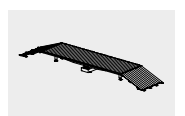
- Unique and original
- Distortion-free construction of the big see-saw floor
- Incentive for playing: inclined floor with ramps
- Movement: running, jumping, driving, shifting one's weight

Recommended for

- School children
- Young people
- Supervised play areas, such as schools, after-school programmes or similar
- Public play areas without supervision, such as playgrounds, parks or similar
- Swimming pools without supervision, such as outdoor pools, adventure pools or similar
- Leisure parks


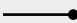
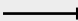
Barrier-free

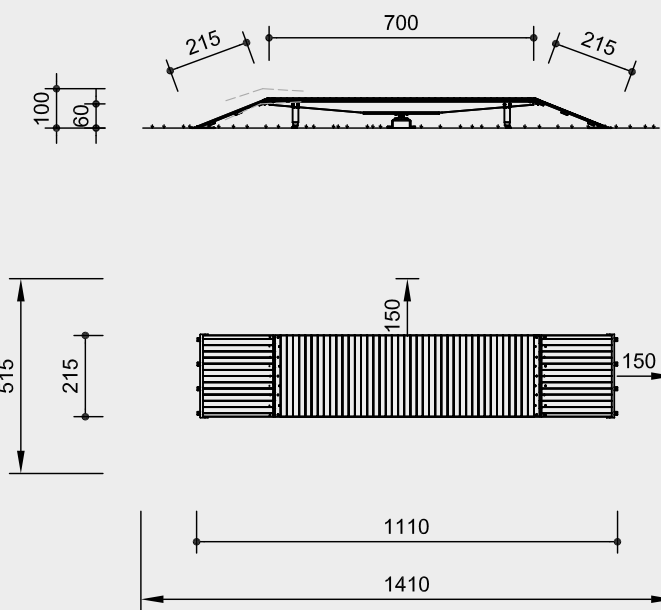
- Special exercise experience
- With a carer



6.70000

Order No. 6.70000
Big See-saw Platform

Safety distance 
 Device dimensions 
 Functional distance 



Scale 1:200

Safety check according to DIN EN 1176

Components

- 1 See-saw floor with 2 ramps, complete with all bearings, shock absorbers, foundation frame and concrete pedestal for central see-saw mechanism

Installation information

Surfacing requirements corresponding to a fall height of ≤ 1.00 m (please refer to price list for more detailed information)

Foundations
 2 items 215 x 70 x 80 cm
 2 items 120 x 50 x 80 cm
 1 item 160 x 100 x 80 cm
 (Must be set at frost depth 80 - 120 cm)

Attention:
Exact measurements may vary;
for all installation dimensions refer to current assembly instructions.
 Technical changes reserved.

Technical information

Equipment made of non-impregnated mountain larch

Core-free

Sawn-timbers core-free, thus decreasing occurrences of cracking and undesired changes in shape



Tongue and groove

Tongue and groove planks made of 4 cm solid wood, highly resilient, no trickling of dust / sand, protection against direct rain



Laminated wood beams

Laminated wood beams made of non-impregnated larch, glued according to EN 14080:2013; for very large timber cross-sections; comparatively low shrinkage, almost completely free of cracks



Sintered bush

For all reciprocating movements we use sintered plain bearings which are self-lubricating in use and can easily be exchanged if necessary



Ground anchor

All parts used for anchoring to the ground are made of hot-dip galvanised steel or stainless steel



For more detailed explanation of the quality characteristics see price list.

Heavy, distortion-free construction with hot-dip galvanised fittings

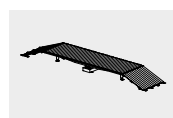
Ramps run in stainless steel guide rails, with brass edge protection and a rubber lip to prevent entrapment

Foundation frame made of steel

Dimensions

(small deviations possible)

Height	0.60 - 1.00 m
See-saw floor	2.15 x 7.00 m
Ramps	2.15 x 2.00 m
Weight	2000 kg



6.70000

Play value

A three-part see-saw plate is mounted on joints in a protective frame. The see-saw motion is generated by rolling to and fro or through corresponding body movement while walking. Mutual action, the stimulation of playing together and having to cooperate are the valuable elements of this equipment. Here, wheelchair users and the able-bodied, big people and little ones, heavy and light as well as old and young can all play together. Playing on it gives the impression of physically moving a part of the path or ground.



Photo © Claudia Dreyse

Fundamental characteristics

- Sturdy construction, no foundation required
- Incentive for playing: handrails, curiosity
- Movement: see-sawing, moving one's centre of gravity, balancing

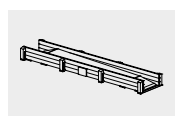
Recommended for

- Kindergarten children
- School children
- Young people
- Adults
- Supervised play areas such as kindergartens, schools, after-school programmes or similar
- Public play areas without supervision, such as playgrounds, parks or similar

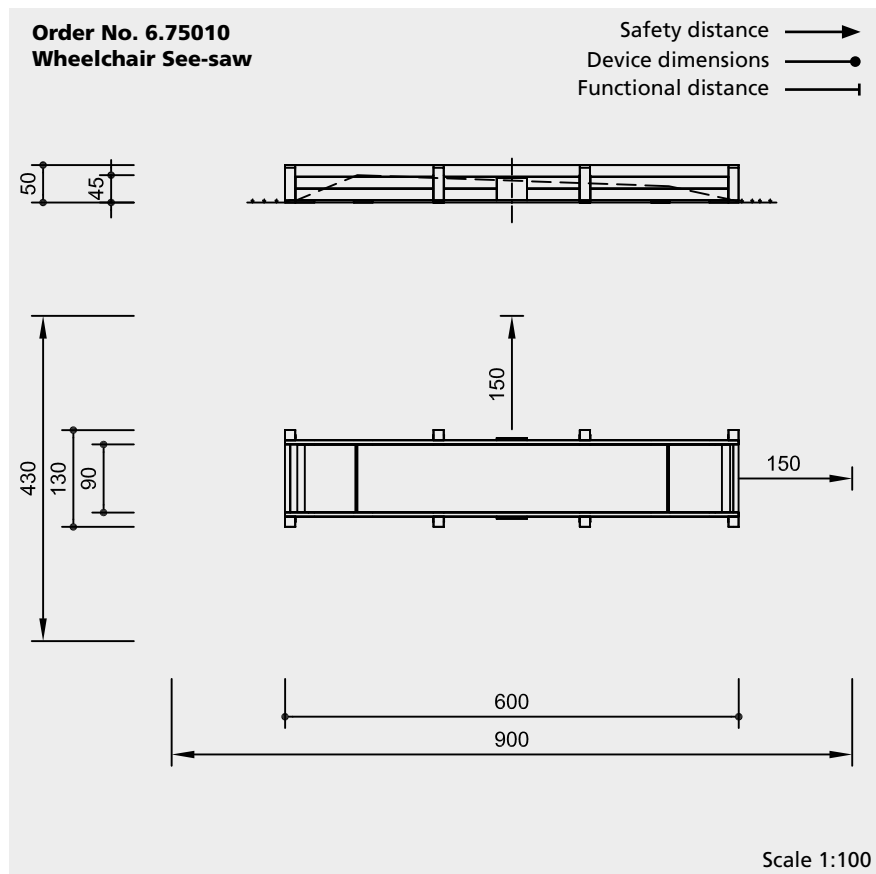
Barrier-free

- Special exercise experience

Wheelchair See-saw



6.75010



Safety check according to DIN EN 1176

Components

- 1 Complete piece of equipment with integrated see-saw area and 2 ramps

Installation information

Surfacing requirements corresponding to a fall height of ≤ 0.60 m (please refer to price list for more detailed information)

Foundations
None – only level ground required

Attention:
Exact measurements may vary;
for all installation dimensions refer to current assembly instructions.
Technical changes reserved.

Technical information

Equipment made of non-impregnated mountain larch

Core-free

Sawn-timbers core-free, thus decreasing occurrences of cracking and undesired changes in shape



Sintered bush

For all reciprocating movements we use sintered plain bearings which are self-lubricating in use and can easily be exchanged if necessary



For more detailed explanation of the quality characteristics see price list.

Handrails lowered

Side parts of square timber, edges of handrails rounded off

See-saw plate of waterproof plywood 27 mm, with anti-slip coating; screwed onto a stable steel frame

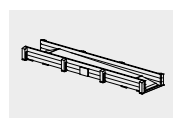
Maintenance-free pivot bearings

Ramp lips glide on plastic bearings, connected by solid strap hinges

Dimensions

(small deviations possible)

Height	0.50 m
Length	6.00 m
External width	1.30 m
Internal width	0.90 m
Weight	660 kg



6.75010

Play value

The Swinging Table is a closed hollow body suspended on chains. It invites one to sit down without immediately revealing its "secret". Only after sitting down, one recognizes a peculiar swinging of the table. One can feel the movement of the water inside the table which reacts in resonance to one's own movement. There is an interplay between the perception and action of the people and the response of the water. It is great fun to experience the unexpected movements of the table together with others. The Swinging Table is a nice offer for pedestrian zones.



© Richter Spielgeräte GmbH 06/22

Swinging Table for Water Filling

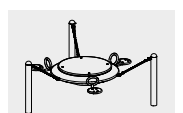
Fundamental characteristics

- Agreeable design
- Unique and original
- Feeling of the movement of the water inside the table
- Incentive for playing: peculiar seating
- Movement: swinging

Recommended for

- School children
- Young people
- Public play areas without supervision, such as playgrounds, parks or similar

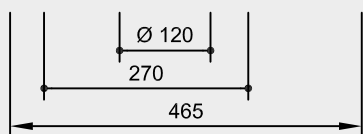
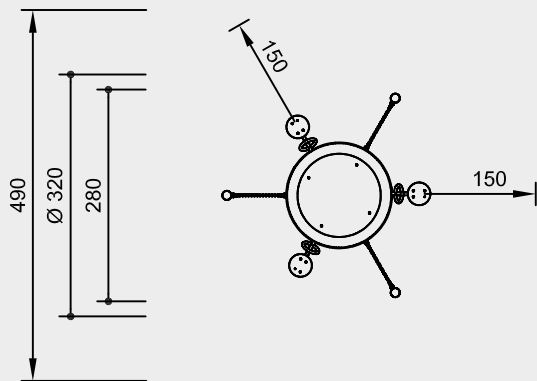
Design M. Rohrbach



9.55000

Order No. 9.55000
Swinging Table for Water Filling

Safety distance →
 Device dimensions ●
 Functional distance —



Scale 1:100

Safety check according to DIN EN 1176

Components

- 1 Swinging table with 3 connecting chains
- 3 Support posts
- 1 Canister antifreeze

Installation information

Surfacing requirements corresponding to a fall height of ≤ 1.00 m (please refer to price list for more detailed information)

Foundations
 3 items 60 x 80 x 60 cm
 Excavation depth 80 cm

Attention:
Exact measurements may vary;
for all installation dimensions refer to current assembly instructions.
 Technical changes reserved.

Technical information

Equipment made of stainless steel, glass bead blasted

Plywood

Plywood made of mountain larch, three-layer (3 cm) or five-layer (4 cm). High dimensional stability, waterproof, glued according to DIN EN 13353:2011



Universal joint

Drop-forged, hot-dip galvanised universal joint, consists of two sintered bushes, for free swinging in any direction



Sintered bush

For all reciprocating movements we use sintered plain bearings which are self-lubricating in use and can easily be exchanged if necessary



Ground anchor

All parts used for anchoring to the ground are made of hot-dip galvanised steel or stainless steel



Chains

Chains made of hot-dip galvanised steel (1.4301 / 1.4571 at extra charge) welded before galvanising, short-linked, without eyelets on the connecting parts, easy to exchange and shorten

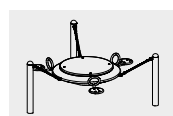


For more detailed explanation of the quality characteristics see price list.

Dimensions

(small deviations possible)

Height of support posts	1.10 m
Swinging table, diameter	1.20 m
Weight without water	300 kg
Weight with water	380 kg



9.55000

Risk and recklessness

P. 493 - 506



Play value

Once you have swung on a long pendulum, you will never let go of the dream of a really high swing. Here we have designed such a construction, which makes the feeling of freedom and lightness directly tangible, and the „dream of flying“ inherent in every human being, at least for the moment.

Fundamental characteristics

- Extra high swing frame allows for soft swinging
- Equipment height is challenging for young people
- Incentive for playing: height
- Movement: swinging

Recommended for

- School children
- Young people
- Supervised play areas, such as schools, after-school programmes or similar
- Public play areas without supervision, such as playgrounds, parks or similar
- Swimming pools without supervision, such as outdoor pools, adventure pools or similar



Order No. 7.14020 Extra High Twin Swing special

Extra High Twin Swing special
Extra High Swing special



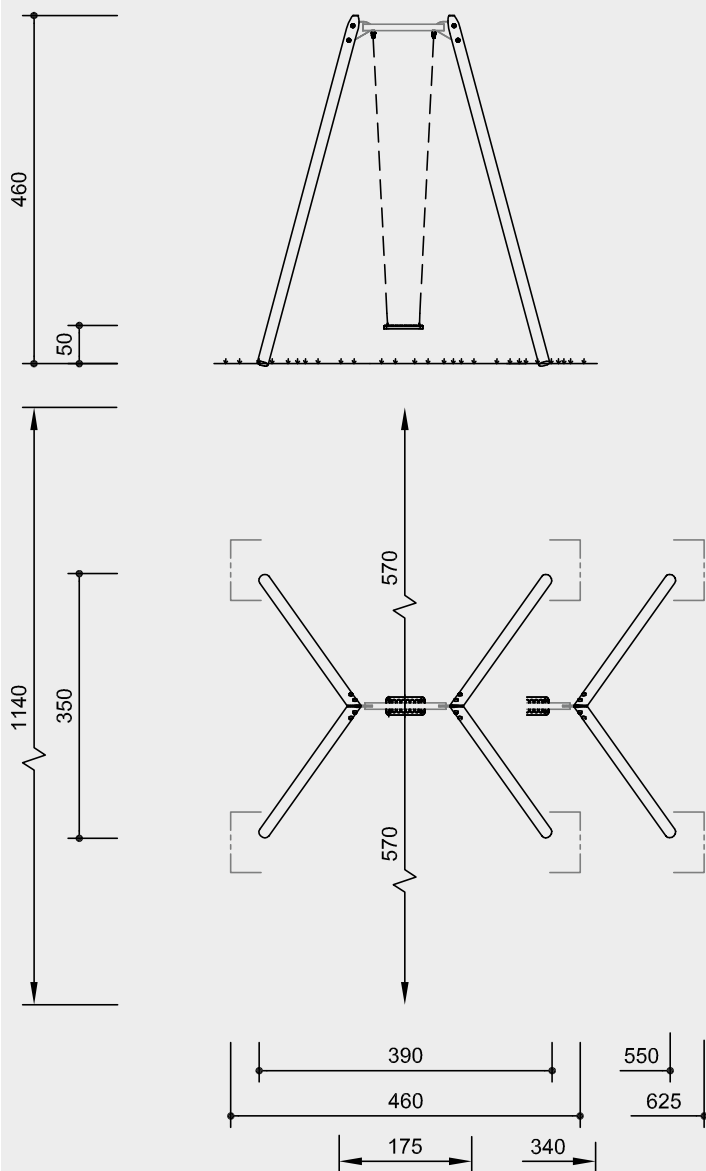
7.14020



7.14120

Order No. 7.14020
Extra High Twin Swing special
Order No. 7.14120
Extra High Swing special

Safety distance 
 Device dimensions 
 Functional distance 



Safety check according to DIN EN 1176

Components

- Order No. 7.14020**
Extra High Twin Swing special
- 1 Swing frame with steel feet and cross beam made of steel
 - 2 Wide swing seats with chains

- Order No. 7.14120**
Extra High Swing special
- 1 Swing frame with steel feet and cross beam made of steel
 - 2 Wide swing seat with chains

Installation information

Surfacing requirements corresponding to a fall height of ≤ 3.00 m (please refer to price list for more detailed information)

Foundations
 4 items 80 x 60 x 60 cm
 Excavation depth 80 cm

Attention:
Exact measurements may vary;
for all installation dimensions refer to current assembly instructions.
 Technical changes reserved.

Technical information

Equipment made of non-impregnated mountain larch

Peeled white
 Palisades peeled white means that bark, cambium and sapwood are removed, the natural shape of the trunk is preserved and can be experienced



Swing joint
 Drop-forged, hot-dip galvanised swing joint with sintered bush and integrated swivel



Profiled washer
 Profiled washer for covering protruding screw heads according to standard, improved pressure distribution and protection against water. Impedes loosening the bolt



Adjustable
 Adjustable two-piece bolt connection, easy to maintain, no projecting threads



Interlocking
 Interlocking connection, with milled metal rings or serrated disc dowels, to reinforce the bolt connection under high loads transverse to the grain direction of the wood



Sintered bush
 For all reciprocating movements we use sintered plain bearings which are self-lubricating in use and can easily be exchanged if necessary



Ground anchor
 All parts used for anchoring to the ground are made of hot-dip galvanised steel or stainless steel



Cross beam made of steel
 Swing cross beam made of hot-dip galvanised steel. Optimized swing geometry with rigid corner connections, thus allowing for smaller foundations and easier foundation covering



Chains
 Chains made of hot-dip galvanized steel (1.4301 / 1.4571 at extra charge) welded before galvanising, short-linked, without eyelets on the connecting parts, easy to exchange and shorten



For more detailed explanation of the quality characteristics see price list.

Rubber swing seats for adults, 25 x 50 cm

Dimensions
 (small deviations possible)

Order No. 7.14020 / 7.14120	
Height	4.60 m
Vertical clearance	4.45 m
Length	5.50 / 3.90 m
Width	3.50 m
Weight	500 / 270 kg



7.14020



7.14120

Play value

A three metre long cross-beam hangs with two ropes from a mast of nearly six metres. As the participants run around and pull on the pendulum seats, the ropes wind and turn the cross-beam upwards. When they sit on the seat again, the return force causes participants to fly around the mast in carousel fashion. The return force is dependent on the winding force. The appeal of cooperative play is increased by the fact that participants with different physical abilities can play together and increase their pleasure by co-ordinating their play. It can be used on playgrounds for older children and anywhere that younger ones let off steam.

Fundamental characteristics

- Unique and original
- Playful experience of energy storing and giving off of energy
- Versatile use, depending on the creativity and skills of the participants
- Incentive for playing: design, suspended seats
- Movement: physical power, spinning, swinging

Recommended for

- School children
- Young people
- Public play areas without supervision, such as playgrounds, parks or similar
- Swimming pools without supervision, such as outdoor pools, adventure pools or similar



Maypole

Note

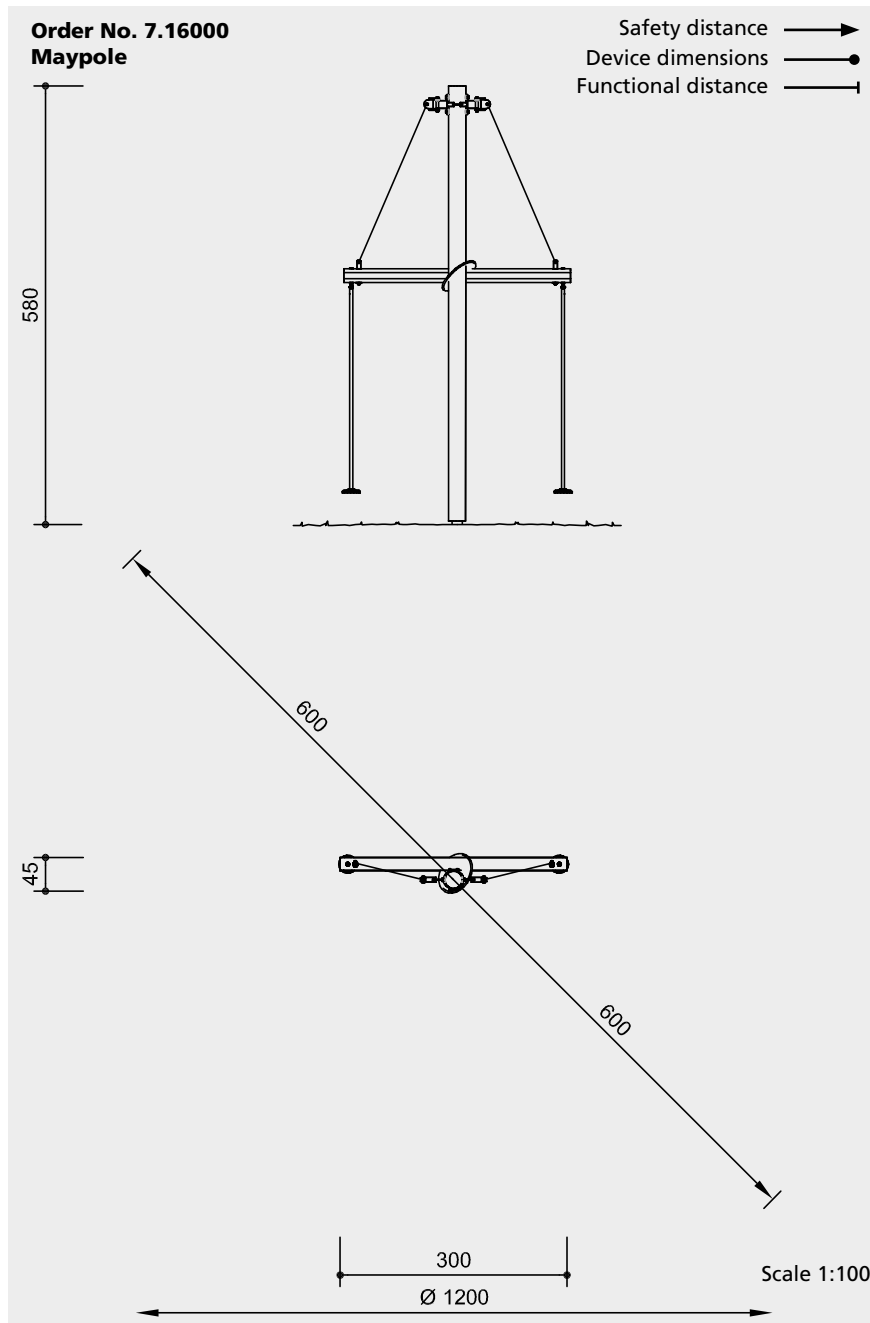
When using wood chips as fall protection, it is important to use high-quality material with a low percentage of bark, especially for one-legged pieces of equipment.

The prescribed inspections of the structural stability must be carried out with particular care with regard to the condition of the stand posts and any rot damage in the lower trunk area.

Please also refer to the note on the limitation period for the assertion of claims for defects in our General Terms and Conditions.



7.16000



Safety check according to DIN EN 1176 and "safety in another way"

Components

- 1 Main mast with steel foot
- 1 Cross beam
- 2 Winding rope including joints
- 1 Guide ring
- 2 Pendulum seats with chain suspension from universal joints

Installation information

Surfacing requirements corresponding to a fall height of ≤ 2.00 m (please refer to price list for more detailed information)

Foundations
1 item 140 x 140 x 65 cm
Excavation depth 85 cm

Attention:
Exact measurements may vary; for all installation dimensions refer to current assembly instructions.
Technical changes reserved.

Technical information

Equipment made of non-impregnated mountain larch

Peeled white

Palisades peeled white means that bark, cambium and sapwood are removed, the natural shape of the trunk is preserved and can be experienced



Bevel cut

Vertical stand posts with bevelled end grain section as constructive wood preservation measure



Pendulum seat

Pendulum seat with a large rubber surface. Soft, protective edge and steel insert



Universal joint

Drop-forged, hot-dip galvanised universal joint, consists of two sintered bushes, for free swinging in any direction



Profiled washer

Profiled washer for covering protruding screw heads according to standard, improved pressure distribution and protection against water. Impedes loosening the bolt



Adjustable

Adjustable two-piece bolt connection, easy to maintain, no projecting threads



Sintered bush

For all reciprocating movements we use sintered plain bearings which are self-lubricating in use and can easily be exchanged if necessary



Ground anchor

All parts used for anchoring to the ground are made of hot-dip galvanised steel or stainless steel



Chains

Chains made of hot-dip galvanized steel (1.4301 / 1.4571 at extra charge) welded before galvanising, short-linked, without eyelets on the connecting parts, easy to exchange and shorten



For more detailed explanation of the quality characteristics see price list.

All fittings hot-dip galvanised

Solid winding mechanism

Winding ropes made of braided core-sheathed rope made of high-quality polyester

Dimensions

(small deviations possible)

Height	5.80 m
Width	3.00 m
Weight	270 kg



7.16000

Play value

This swing is attached only at one point and can therefore move freely in every direction, enabling all kinds of swinging and turning games. The long swing chains make this piece of equipment interesting for young people. In their normal environment, they seldom find a satisfactory outlet for their natural energies. This big swing is designed to help meet that requirement. To set the swing in motion requires strength and skill. This equipment can be used to help even the most energetic of children let off steam, thereby avoiding these energies being directed on more negative activities.

Fundamental characteristics

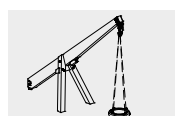
- One-point suspension allows for a multitude of different movements
- Equipment height is challenging for young people
- Incentive for playing: cantilever arm with chain suspension
- Movement: swinging, turning, swaying, jumping on and off, physical effort

Recommended for

- School children
- Supervised play areas, such as kindergartens, schools, after-school programmes or similar
- Public play areas without supervision, such as playgrounds, parks or similar
- Swimming pools without supervision



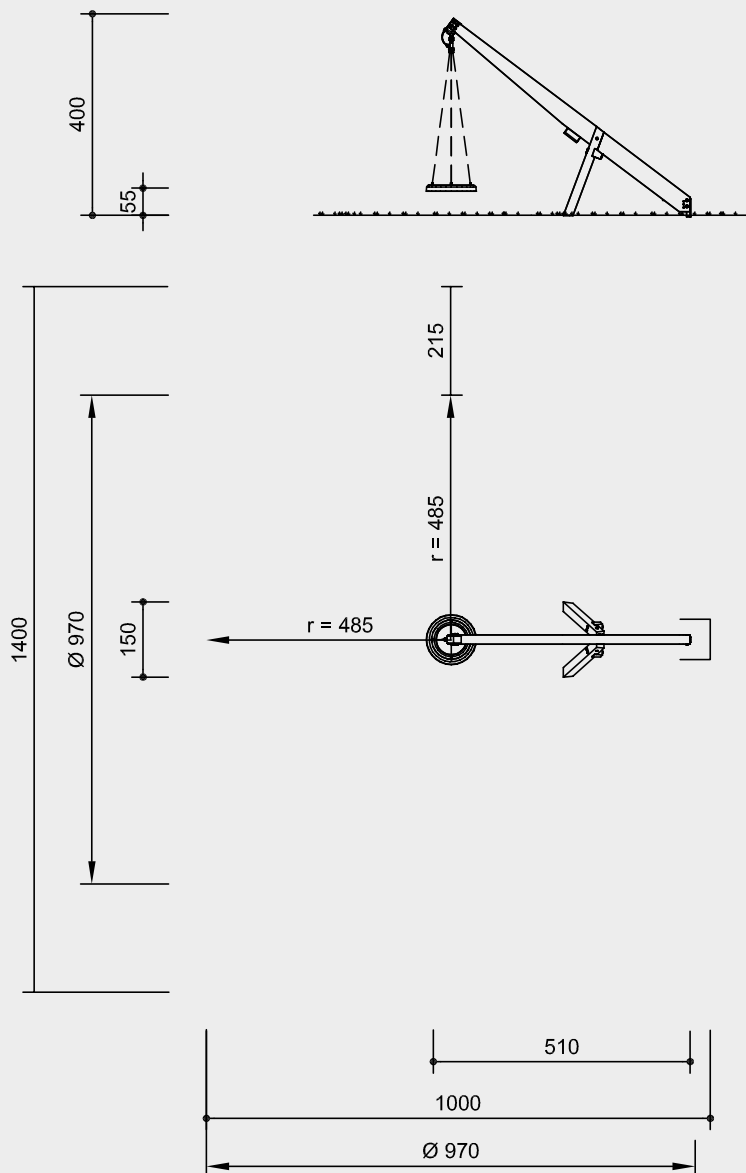
Tractor Tyre Swing



7.45000

Order No. 7.45000
Tractor Tyre Swing

Safety distance →
Device dimensions ●
Functional distance —



Scale 1:150

Safety check according to DIN EN 1176

Components

- 1 Carrying beam with ground anchor
- 1 A-frame with steel feet
- 1 Suspension consisting of:
 - 1 Swinging platform with 4 chains
 - 1 Universal joint with safety cable

Installation information

Surfacing requirements corresponding to a fall height of ≤ 3.00 m (please refer to price list for more detailed information)

Foundations
1 item 80 x 80 x 60 cm
Excavation depth 80 cm
2 items 60 x 60 x 60 cm
Excavation depth 80 cm

Attention:
Exact measurements may vary, for all installation dimensions refer to current installation instructions.
Technical changes reserved.



7.45000

Technical information

Equipment made of non-impregnated mountain larch

Laminated wood beams

Laminated wood beams made of non-impregnated larch, glued according to EN 14080:2013; for very large timber cross-sections; comparatively low shrinkage, almost completely free of cracks



Plywood

Plywood made of mountain larch, three-layer (3 cm) or five-layer (4 cm). High dimensional stability, waterproof, glued according to DIN EN 13353:2011



Impact absorbing

The anti-slip swing platform is covered by a special tyre-like element for impact absorption



Profiled washer

Profiled washer for covering protruding screw heads according to standard, improved pressure distribution and protection against water. Impedes loosening the bolt



Adjustable

Adjustable two-piece bolt connection, easy to maintain, no projecting threads



Interlocking

Interlocking connection, with milled metal rings or serrated disc dowels, to reinforce the bolt connection under high loads transverse to the grain direction of the wood



Ground anchor

All parts used for anchoring to the ground are made of hot-dip galvanised steel or stainless steel



Chains

Chains made of hot-dip galvanized steel (1.4301 / 1.4571 at extra charge) welded before galvanising, short-linked, without eyelets on the connecting parts, easy to exchange and shorten



For more detailed explanation of the quality characteristics see price list.

Rubber buffer at the carrying beam for impact absorption

Fastenings hot-dip galvanised

Universal joint for swing movement with 90° range, 2 roller bearings for rotational movement, lacquered, additionally secured with galvanised steel cable

Dimensions

(small deviations possible)

Height	4.00 m
Carrying beam	
Length	6.05 m
Cross-section	18/36 cm
Tapering to	18/18 cm
Trestle diameter	18/18 cm
Tyre diameter	1.00 m
Weight	380 kg



Play value

The seat and standing surface is composed of tyres and offers up to ten children seating and a secure hold. The hanging element is additionally mounted in bearings attached to an intermediate plate. This enables even small children to swing using their own body weight and it is also possible to rock and swing in circular fashion. The appealing diversity of movement requires skill and coordination of weight and counter weight. Children, adolescents and adults can gradually learn how to use the full range of the equipment's movement.



See-Saw-Carousel-Swing

Fundamental characteristics

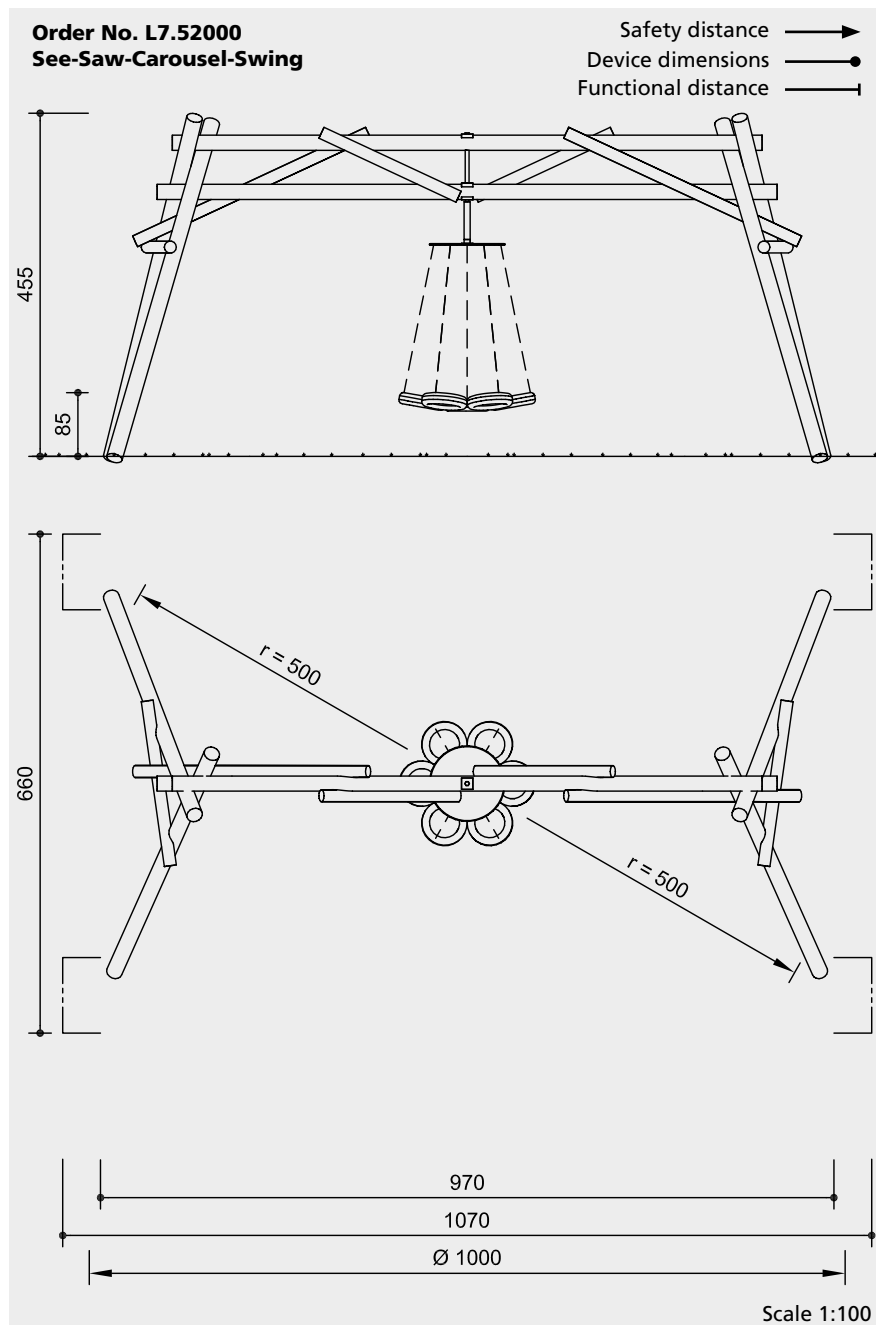
- Unique and original
- The huge construction enables coordinated play of a group of people at the same time
- Diverse play experiences
- Incentive for playing: huge carrying construction
- Movement: swinging, swaying, circling, see-sawing, body coordination

Recommended for

- School children
- Young people
- Supervised play areas, such as schools or similar
- Public play areas without supervision, such as playgrounds, parks or similar



L7.52000



Safety check according to DIN EN 1176

Components

- 1 Swing frame with steel feet and framework beams
- 1 Swing attachment consisting of:
 - 1 Swing platform with 7 connected tyres
 - 1 Steel plate with screwed-on, double universal joint with safety cable and 7 chains fixed on universal joints

Installation information

Surfacing requirements corresponding to a fall height of ≤ 2.00 m (please refer to price list for more detailed information)

Foundations
 4 items 100 x 100 x 80 cm
 Excavation depth 100 cm

Attention:
Exact measurements may vary;
for all installation dimensions refer to current assembly instructions.
 Technical changes reserved.

Technical information

Equipment made of non-impregnated mountain larch

Peeled white

Palisades peeled white means that bark, cambium and sapwood are removed, the natural shape of the trunk is preserved and can be experienced



Profiled washer

Profiled washer for covering protruding screw heads according to standard, improved pressure distribution and protection against water. Impedes loosening the bolt



Adjustable

Adjustable two-piece bolt connection, easy to maintain, no projecting threads



Interlocking

Interlocking connection, with milled metal rings or serrated disc dowels, to reinforce the bolt connection under high loads transverse to the grain direction of the wood



Sintered bush

For all reciprocating movements we use sintered plain bearings which are self-lubricating in use and can easily be exchanged if necessary



Ground anchor

All parts used for anchoring to the ground are made of hot-dip galvanised steel or stainless steel



Chains

Chains made of hot-dip galvanized steel (1.4301 / 1.4571 at extra charge) welded before galvanising, short-linked, without eyelets on the connecting parts, easy to exchange and shorten



For more detailed explanation of the quality characteristics see price list.

Swing suspension

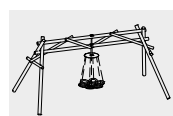
Hot-dip galvanised steel plate with welded swing joints on the underside; Chain suspension with rotating universal joint

Two inter-rotating universal joints with 90° range, 2 roller bearings for rotational movement, painted; additionally secured with 2 galvanised steel cables

Dimensions

(small deviations possible)

Height	4.55 m
Length	9.70 m
Width	5.15 m
Weight	1500 kg



L7.52000

Play value

The Swing Rope Equipment consists of a steel cable spanned horizontally between two high posts. Attached to the cable are three ropes for swinging. Because of the way the apparatus is made, swinging movements on one rope affect swinging movements on an adjacent rope, thus paving the way for games of a competitive and cooperative nature and promotes communication and cooperation.

Fundamental characteristics

- The long swing ropes are connected by a horizontal steel cable and thus affect each other.
- Incentive for playing: unusual suspension
- Movement: swinging, swaying, hanging, jumping off

Recommended for

- School children
- Young people
- Public play areas without supervision, such as playgrounds, parks or similar
- Swimming pools without supervision, such as outdoor pools, adventure pools or similar
- Leisure parks

Note

When using wood chips as fall protection, it is important to use high-quality material with a low percentage of bark, especially for one-legged pieces of equipment. The prescribed inspections of the structural stability must be carried out with particular care with regard to the condition of the stand posts and any rot damage in the lower trunk area. Please also refer to the note on the limitation period for the assertion of claims for defects in our General Terms and Conditions.



Photo © Paul Upward



The photo shows different tensioning ropes, Photo © Paul Upward



Order No. 7.65000 Swing Rope Equipment

Components

Order No. 7.65000

- 2 Poles with steel feet
- 4 Tensioning ropes
- 1 Rope suspension with 3 swing ropes, suspended on rotating universal joints

Order No. 7.65500

- 2 Poles with steel feet
- 4 Tensioning ropes
- 1 Rope suspension with 3 pendulum seats at with hose covered chains, suspended on rotating universal joints

**Swing Rope Equipment
Swing Rope Equipment
with pendulum seats**


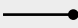



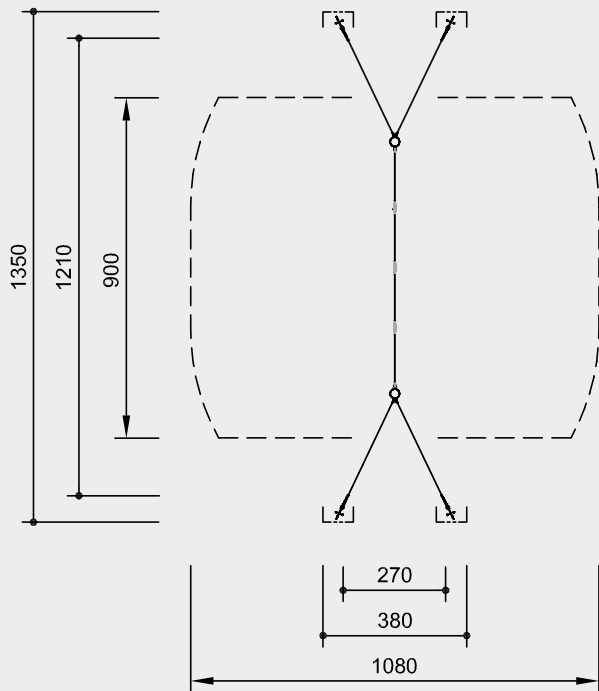
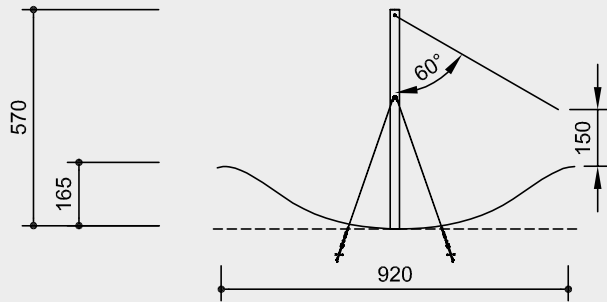
7.65000



7.65500

Order No. 7.65000 / 7.65500
Swing Rope Equipment

Safety distance 
 Device dimensions 
 Functional distance 



Scale 1:200

Safety check according to DIN EN 1176 and "safety in another way"

Dimensions

(small deviations possible)

Order No. 7.65000

Swing Rope Equipment

Height	5.70 m
Width, including tensioning ropes	12.10 m
Length of swing ropes	4.40 m
Weight	440 kg

Order No. 7.65500

Swing Rope Equipment with pendulum seats

Height	5.70 m
Width, including tensioning ropes	12.10 m
Length of swing ropes	4.30 m
Weight	450 kg

Installation information

Surfacing requirements corresponding to a fall height of ≤ 1.00 m when the ground is levelled in the recommended way or without hill ≤ 3.00 m

Foundations
 2 items 120 x 120 x 60 cm
 Excavation depth 80 cm
 4 items 80 x 80 x 60 cm
 Excavation depth 100 cm

Attention:

Exact measurements may vary, for all installation dimensions refer to current installation instructions.

Technical changes reserved.

Technical information

Equipment made of non-impregnated mountain larch

Peeled white

Palisades peeled white means that bark, cambium and sapwood are removed, the natural shape of the trunk is preserved and can be experienced



Bevel cut

Vertical stand posts with bevelled end grain section as constructive wood preservation measure



Richter Hercules type rope

Richter Hercules type rope, a combination of galvanised six-strand steel cables and polyester yarn, diameter > 20 mm, laid and glued with very good abrasion resistance, strong sheathing even in the case of damage by puncturing



Aluminium rope pressing

Aluminium rope pressing, cylindrically pressed, with rounded ends



Universal joint

Drop-forged, hot-dip galvanised universal joint, consists of two sintered bushes, for free swinging in any direction



Rotating rope connection

Rotatable fitting without dangerous openings, with sintered bush with integrated swivel to ensure the rope untwists



Double rope connection

Connection for complicated swing and swivel motion



Sintered bush

For all reciprocating movements we use sintered plain bearings which are self-lubricating in use and can easily be exchanged if necessary



Ground anchor

All parts used for anchoring to the ground are made of hot-dip galvanised steel or stainless steel



Order No. 7.65500

Swing Rope Equipment with pendulum seats

Pendulum seat

Pendulum seat with a large rubber surface. Soft, protective edge and steel insert



Chains

Chains made of hot-dip galvanized steel (1.4301 / 1.4571 at extra charge) welded before galvanising, short-linked, without eyelets on the connecting parts, easy to exchange and shorten



For more detailed explanation of the quality characteristics see price list.



7.65000



7.65500



Photo © Anton Donikov

Play value

The Partner Pendulum is the playful and physical embodiment of the laws of cause and effect. The pendulum motions of the partners are interdependent. If one pendulum is set in motion while the other is still, then the latter also begins to move; and vice versa. Synchronised swinging extends the effect and the play becomes more energetic as a result. The rope geometry also allows interchangeable hopping of the partners on the pendulum swings.

Fundamental characteristics

- Unique and original
- Pendulum tyres on holding poles, suspended on a rope, enable a special swinging experience
- Incentive for playing: interesting suspension construction
- Movement: physical effort, swinging, swaying

Recommended for

- School children
- Young people
- Supervised play areas such as kindergartens, schools, after-school programmes or similar
- Public play areas without supervision, such as playgrounds, parks or similar



Partner Pendulum



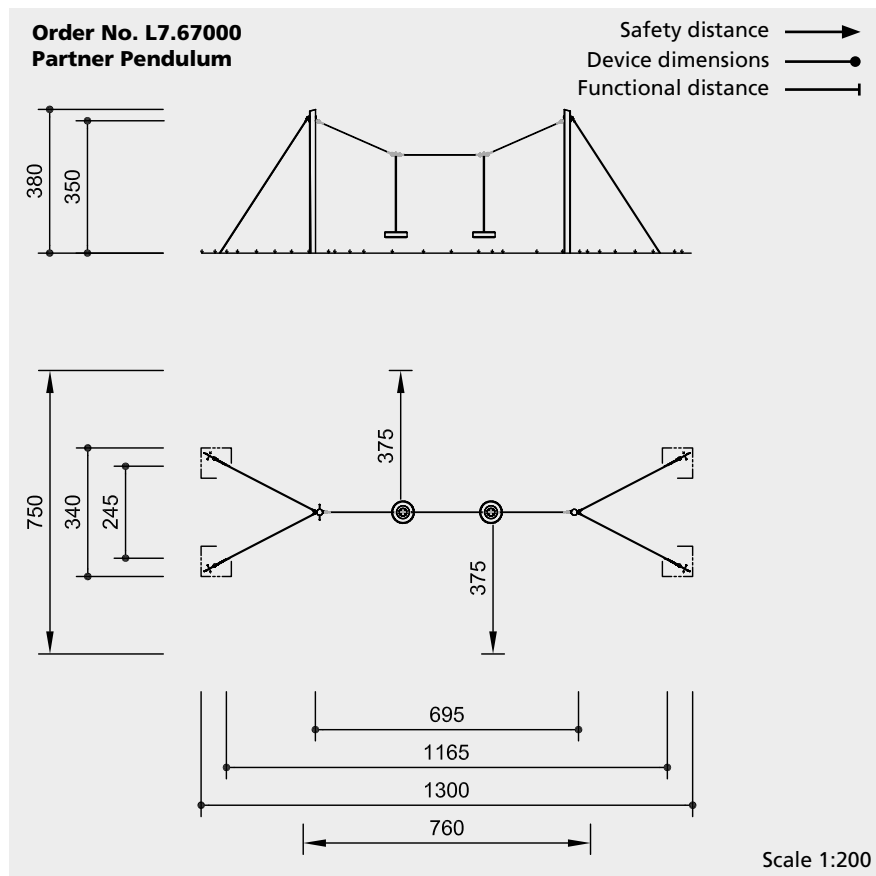
© Richter Spielgeräte GmbH 06/22



Design P. Hannes



L7.67000



Safety check according to DIN EN 1176 and "safety in another way"

Components

- 2 Support posts with steel feet and tensioning ropes
- 2 Pendulum tyres on holding poles with swing ropes

Installation information

Surfacing requirements corresponding to a fall height of ≤ 2.00 m (please refer to price list for more detailed information)

Foundations

- 2 items 80 x 80 x 60 cm
Excavation depth 80 cm
- 4 items 80 x 80 x 60 cm
Excavation depth 100 cm

Attention:

Exact measurements may vary, for all installation dimensions refer to current installation instructions.

Technical changes reserved.

Technical information

Equipment made of non-impregnated mountain larch

Peeled white

Palisades peeled white means that bark, cambium and sapwood are removed, the natural shape of the trunk is preserved and can be experienced



Bevel cut

Vertical stand posts with bevelled end grain section as constructive wood preservation measure



Richter Hercules type rope

Richter Hercules type rope, a combination of galvanised six-strand steel cables and polyester yarn, diameter > 20 mm, laid and glued with very good abrasion resistance, strong sheathing even in the case of damage by puncturing



Aluminium rope pressing

Aluminium rope pressing, cylindrically pressed, with rounded ends



Universal joint

Drop-forged, hot-dip galvanised universal joint, consists of two sintered bushes, for free swinging in any direction



Double rope connection

Connection for complicated swing and swivel motion



Sintered bush

For all reciprocating movements we use sintered plain bearings which are self-lubricating in use and can easily be exchanged if necessary



Ground anchor

All parts used for anchoring to the ground are made of hot-dip galvanised steel or stainless steel



For more detailed explanation of the quality characteristics see price list.

Pendulum tyres suspended on sleeved grip bars

Dimensions

(small deviations possible)

Height	3.80 m
Length	11.65 m
Width	2.45 m
Weight	200 kg



L7.67000

Play value

Swing fun is a truly noble pleasure - swinging and swaying, rocking and hanging and bouncing are all possible on the Queen Swing. Three cross-ropes with pendulum tyres suspended from joints are lightly spanned between the mobile-mounted central pole. The variably tensing ropes react with the swing and rocking movements to make the whole swing fun possible. If the pole tops are additionally fitted with mobiles and wind vanes, the movement is transferred into the air above and watching becomes a pleasure in itself.



Photo © Anton Donikov



The photo shows different tensioning ropes.

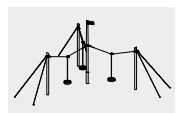
Fundamental characteristics

- Unique and original
- By the rope construction and the mobile-mounted central pole, the three swing suspensions influence each other; they can intensify or reduce the movement
- The pole foot prevents total failure of the construction, should one of the parts fail
- Incentive for playing: suspended tyres
- Movement: swinging, swaying, body coordination

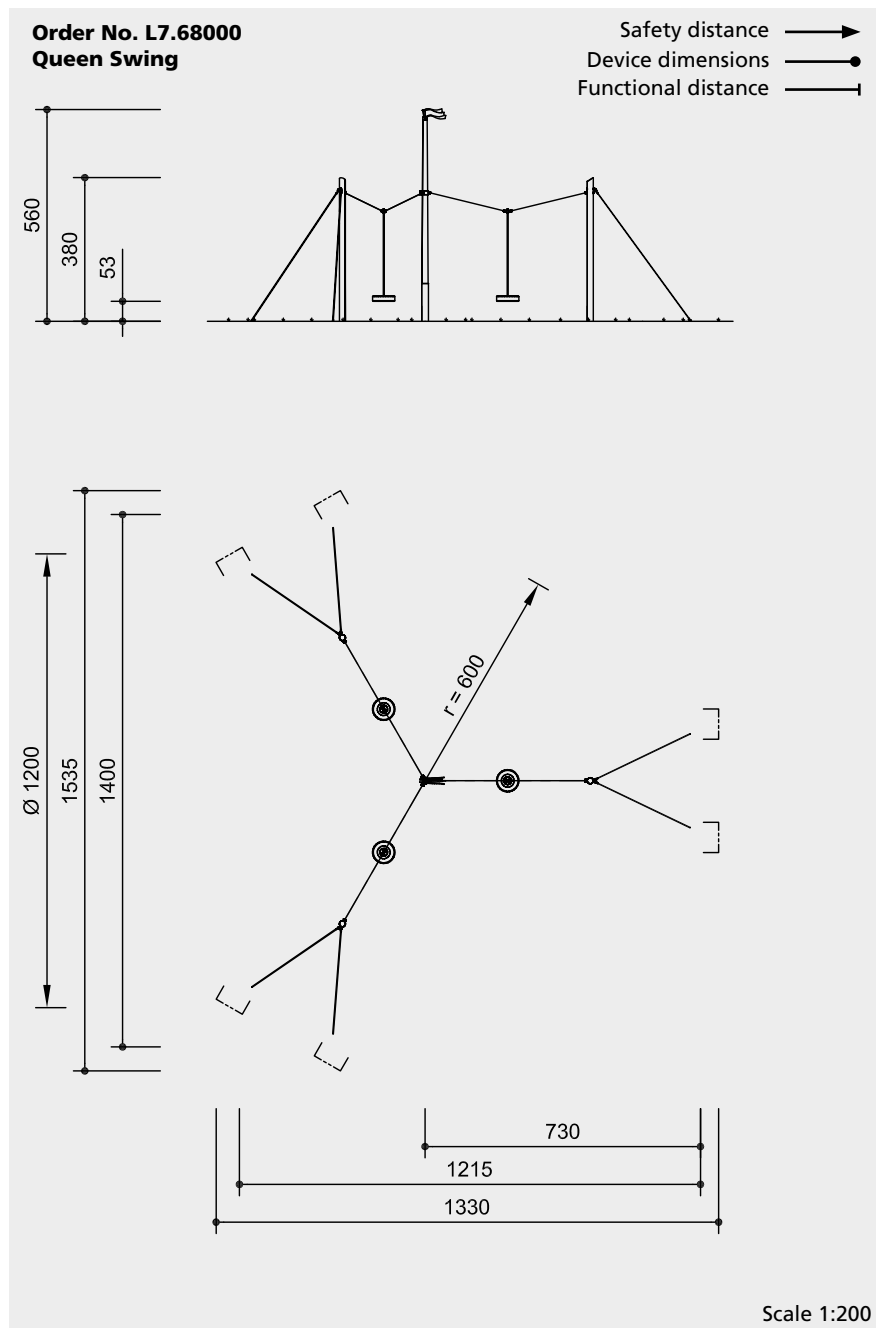
Recommended for

- School children
- Young people
- Supervised play areas, such as kindergartens, schools, after-school programmes or similar
- Public play areas without supervision, such as playgrounds, parks or similar

Queen Swing



L7.68000



Safety check according to DIN EN 1176 and "safety in another way"

Components

- 3 Outer poles with tensioning ropes and steel feet
- 1 Central pole with 4 flags and two-part pole foot
- 3 Pendulum tyres with hose-sleeved grip bars with swing ropes

Installation information

Surfacing requirements corresponding to a fall height of ≤ 2.00 m (please refer to price list for more detailed information)

Foundations

- 1 item 80 x 80 x 80 cm
Excavation depth 100 cm
- 6 items 80 x 80 x 60 cm
Excavation depth 100 cm
- 3 items 80 x 80 x 60 cm
Excavation depth 80 cm

Attention:

Exact measurements may vary, for all installation dimensions refer to current installation instructions.

Technical changes reserved.



L7.68000

Technical information

Equipment made of non-impregnated mountain larch

Peeled white

Palisades peeled white means that bark, cambium and sapwood are removed, the natural shape of the trunk is preserved and can be experienced



Bevel cut

Vertical stand posts with bevelled end grain section as constructive wood preservation measure



Richter Hercules type rope

Richter Hercules type rope, a combination of galvanised six-strand steel cables and polyester yarn, diameter > 20 mm, laid and glued with very good abrasion resistance, strong sheathing even in the case of damage by puncturing



Aluminium rope pressing

Aluminium rope pressing, cylindrically pressed, with rounded ends



Universal joint

Drop-forged, hot-dip galvanised universal joint, consists of two sintered bushes, for free swinging in any direction



Double rope connection

Connection for complicated swing and swivel motion



Sintered bush

For all reciprocating movements we use sintered plain bearings which are self-lubricating in use and can easily be exchanged if necessary



Ground anchor

All parts used for anchoring to the ground are made of hot-dip galvanised steel or stainless steel



For more detailed explanation of the quality characteristics see price list.

Pendulum tyres suspended on hose-sleeved grip bars

Four differently coloured flags made of weatherproof PVC-fabric

Central pole mobile-mounted in two-part, hot-dip galvanised pole foot

Dimensions

(small deviations possible)

Height of central pole	5.60 m
Height of outer poles	3.80 m
Length	12.15 m
Width	14.00 m
Weight	410 kg

Large and Special

Ships	P. 507 - 516
Play constructions	P. 517 - 552

Play value

Real ships are curved, and if they are as modern as the "Sand" model from our series of state-of-the-art working ships, then they are also made of steel. Real sailors, dockers, navy officers and, of course, the coxswain work hand in hand on this ship. They perform all the steps necessary to ensure that the ship can soon set off on its next trip. But before this, the shipment must be unloaded and reloaded using the cargo gear. Set in a harbour landscape with footbridges and piers, the metal ship named "Sand" is not only an eye-catcher but also a meeting point and place for role-playing.



Access options: e.g. Inclined Ramp, Inclined Climbing Net



Metal Ship "Sand"

Fundamental characteristics

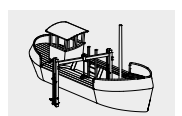
- Unique and original
- Eye-catcher
- Coloured design
- High-quality design
- Incentive for playing: role-playing games

Recommended for

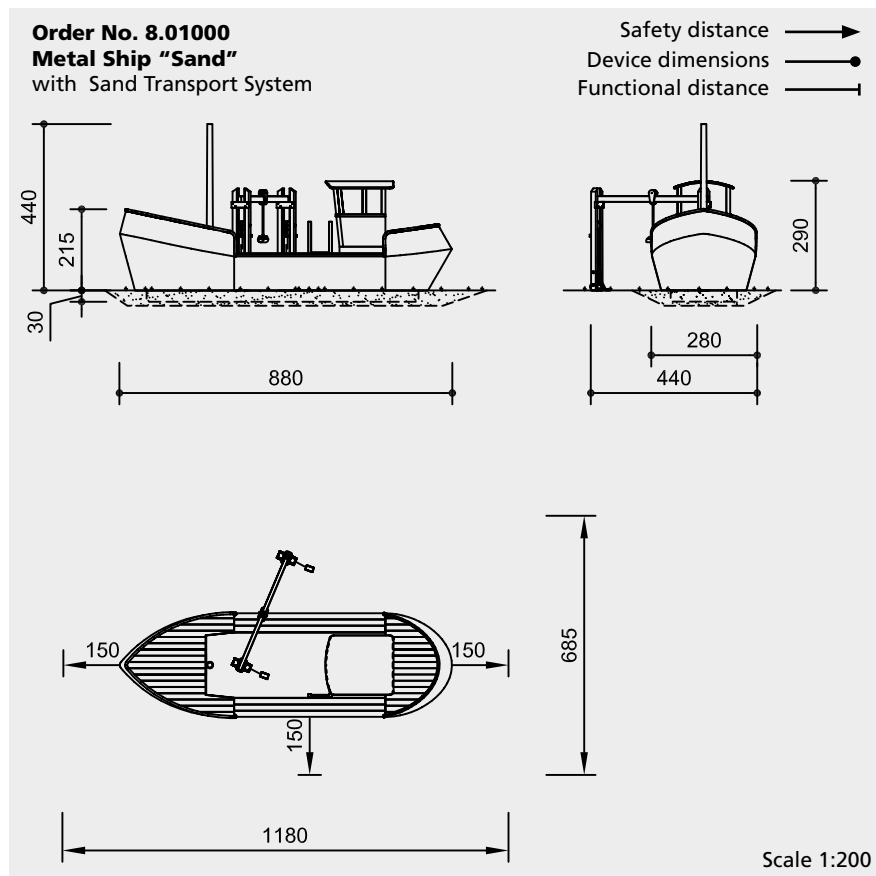
- Kindergarten children
- School children
- Public play areas without supervision, such as playgrounds, parks or similar

Planning information

Accesses are not included in the components. They must be planned as not easily accessible e. g. Rope Bridge, Chain Path, Climbing Trunk etc.



8.01000



Safety check according to DIN EN 1176

Components

- 1 Ship, with:
 - 1 Metal ship with wheelhouse
 - 1 Ladder inside
 - 1 Mast with access to deck and ship's bell
 - 1 Table
 - 3 Stools with foundation irons
- 1 Sand Transport System as cargo gear, with:
 - 2 Support frames with steel feet and 1 sand hoist each and 1 shovel with chain
 - 1 Transport rail with sand container

Installation information

Surfacing requirements corresponding to a fall height of ≤ 1.50 m (please refer to price list for more detailed information)
 Play sand or pea gravel is required for correct functioning.

Foundations

Ship
 No foundations are required for the ship. The sheet metal of the hull will reach 30 cm into the ground. A ballast bed is to be built in the area of the hull. The ship hull has no bottom. It must be filled with a layer of sand or pea gravel of approx. 30 cm.

Mast
 1 item 60 x 60 x 30 cm
 Excavation depth 80 cm

Table
 1 item 60 x 60 x 40 cm
 Excavation depth 60 cm

Sand Transport System
 2 items 80 x 60 x 50 cm
 Excavation depth 70 cm

Attention:
Exact measurements may vary;
for all installation dimensions refer to current assembly instructions.
 Technical changes reserved.

Technical information

Deck, mast, wheelhouse finishing, sand transport system, ladder, table and stool made of mountain larch

Bevel cut
 Vertical stand posts with bevelled end grain section as constructive wood preservation measure



Core-free
 Sawn-timbers core-free, thus decreasing occurrences of cracking and undesired changes in shape



Tongue and groove
 Tongue and groove planks made of 4 cm solid wood, highly resilient, no trickling of dust / sand, protection against direct rain



Plywood
 Plywood made of mountain larch, three-layer (3 cm) or five-layer (4 cm). High dimensional stability, waterproof, glued according to DIN EN 13353:2011



Profiled washer
 Profiled washer for covering protruding screw heads according to standard, improved pressure distribution and protection against water. Impedes loosening the bolt



Adjustable
 Adjustable two-piece bolt connection, easy to maintain, no projecting threads



Ground anchor
 All parts used for anchoring to the ground are made of hot-dip galvanised steel or stainless steel



Chains
 Chains made of hot-dip galvanized steel (1.4301 / 1.4571 at extra charge) welded before galvanising, short-linked, without eyelets on the connecting parts, easy to exchange and shorten



Roller bearings
 Roller bearings made of stainless steel for rotating elements, easy to maintain and exchange, sealed



For more detailed explanation of the quality characteristics see price list.

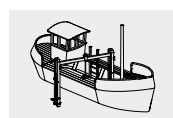
Ship made of 4 mm bent sheet metal, primed and painted in two colours, all edges in the play area have a sufficiently large radius

Sand container of textile-reinforced rubber belt, 8 mm thick
 Ship's bell made of brass

Dimensions
 (small deviations possible)

Height	4.40 m
Height of wheelhouse	2.90 m
Height of bow	2.15 m
Length	8.80 m
Width of ship	2.80 m
Width, overall	4.40 m
Total weight	4000 kg

Transport and unloading transport with low loader h = 70 cm on request, discharge with crane on site



8.01000

Play value

The appealing, open construction of our Small Two-Master with its lovingly realistic details simply invites children to play joint role-play games. The lean bow with bridge and portholes can be climbed while in the nave there are bridges, a rotating steering wheel and masks with flags – it's just like setting sail on the high seas. The stern can be conquered by big and little pirates via a suspension bridge or a climbing net. The next adventure can be planned at the round table with four stools under the platform in the cutter.



© Richter Spielgeräte GmbH 06/22

Small Two-Master

Fundamental characteristics

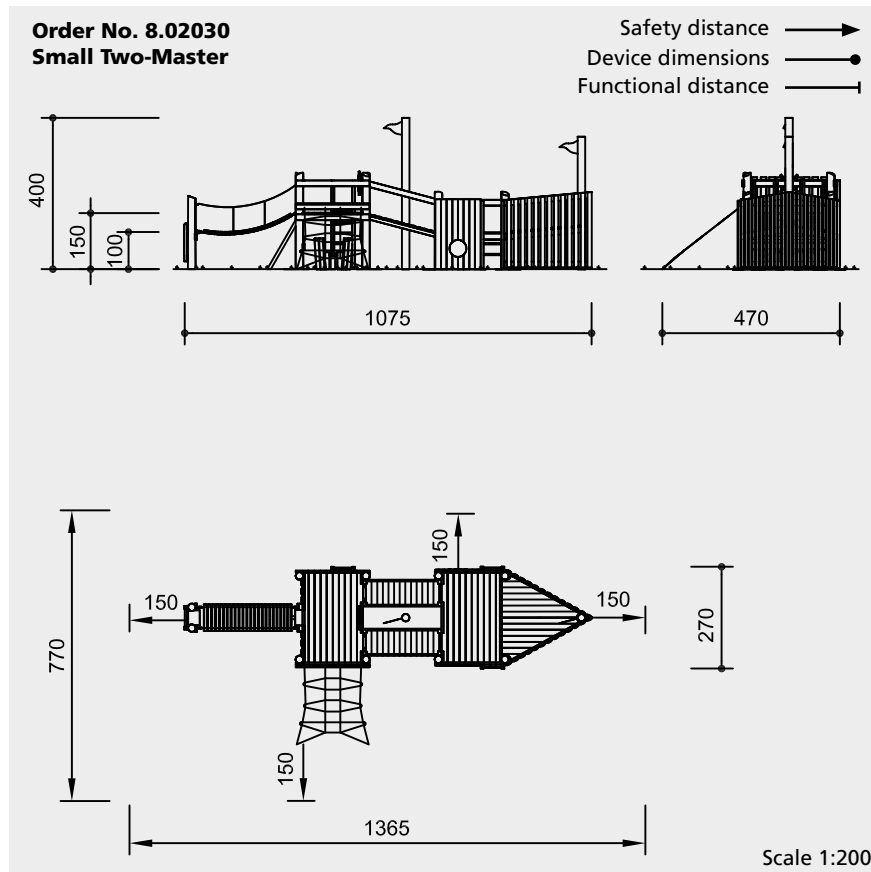
- Child-oriented dimensions
- Natural wooden surface appeals to the senses
- Emotionally appealing design
- Friendly appearance
- Incentive for playing: role-playing games
- Movement: climbing

Recommended for

- Kindergarten children
- School children
- Public play areas without supervision, such as playgrounds, parks or similar



8.02030



Safety check according to DIN EN 1176

Components

- 1 Bow with floor, 2 side panels and steel feet
- 1 Platform, height 1.00 m with 2 floor elements, handrails, 2 side panels and steel feet
- 2 Rigid bridges, length 2 m with wooden handrails
- 1 Platform as stern, height 1.50 m with 2 floor elements and handrails
- 1 Suspension bridge, length 3 m with chain handrails
- 1 End frame with ladder and steel feet
- 1 Inclined climbing net
- 2 Masts with steel feet and flag made of corrugated stainless steel sheet metal, thickness 2 mm, not rotateable
- 1 Round table with steel foot
- 4 Stools with back

Installation information

Surfacing requirements: corresponding to a fall height of ≤ 1.50 m (please refer to price list for more detailed information)

Foundations

Platforms
8 items 60 x 60 x 60 cm
Excavation depth 80 cm

Masts
2 item 60 x 60 x 60 cm
Excavation depth 80 cm

End frame for suspension bridge

1 item 125 x 120 x 60 cm
Excavation depth 80 cm

Metal strut
1 item 60 x 60 x 40 cm
Excavation depth 60 cm

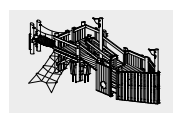
Inclined climbing net
2 items 50 x 50 x 40 cm
Excavation depth 80 cm

Round table
1 item 40 x 40 x 40 cm
Excavation depth 60 cm

Attention:
Exact measurements may vary; for all installation dimensions refer to current installation instructions.
Technical changes reserved.

Dimensions
(small deviations possible)

Height	4.00 m
Length	10.75 m
Width incl. net	4.70 m
Weight	2000 kg



8.02030

Technical information

Equipment made of mountain larch

Peeled white

Palisades peeled white means that bark, cambium and sapwood are removed, the natural shape of the trunk is preserved and can be experienced



Bevel cut

Vertical stand posts with bevelled end grain section as constructive wood preservation measure



Core-free

Sawn-timbers core-free, thus decreasing occurrences of cracking and undesired changes in shape



Claddings

Claddings made of mountain larch (4 – 5 cm). Peeled white by hand, natural tree surface remains tangible and perceptible



Tongue and groove

Tongue and groove planks made of 4 cm solid wood, highly resilient, no trickling of dust / sand, protection against direct rain



Hardwood rungs

Climbing rungs made of hardwood (ash) Ø 4.2 cm, milled and mortised, secured against twisting, easy to grip and not cold for children to touch



Richter Hercules type rope

Richter Hercules type rope, a combination of galvanised six-strand steel cables and polyester yarn, diameter > 20 mm, laid and glued with very good abrasion resistance, strong sheathing even in the case of damage by puncturing



Aluminium rope pressing

Aluminium rope pressing, cylindrically pressed, with rounded ends



S-connectors

S-connectors Ø 8.1 mm, made of high-quality stainless steel, rounded



Rope connection with joint

Close-fitting connection with joint, without dangerous openings, with sintered bush and adjustable screw connection



Profiled washer

Profiled washer for covering protruding screw heads according to standard, improved pressure distribution and protection against water. Impedes loosening the bolt



Adjustable

Adjustable two-piece bolt connection, easy to maintain, no projecting threads



Sintered bush

For all reciprocating movements we use sintered plain bearings which are self-lubricating in use and can easily be exchanged if necessary



Ground anchor

All parts used for anchoring to the ground are made of hot-dip galvanised steel or stainless steel



For more detailed explanation of the quality characteristics see price list.

Play value

The Cutter is a ship that can really “sail”. A counterweight, which corresponds in technical terms to the keel of a boat, allows the boat to make a rocking movement as if it were floating on the water. The movement is gentle and can be initiated even by small children walking up and down. Together with the cabin, the helm and other elements, this movement game creates a special play atmosphere where little sailors can use all their senses to experience the charm of a ship.



Photo © Luc Maas



Access option: Order No. 8.03101 Belt Path for Cutter

Cutter

Fundamental characteristics

- Unique and original
- Attraction
- High-quality design
- Incentive for playing: role-playing games

Recommended for

- School children
- Public play areas without supervision, such as playgrounds, parks or similar

Planning information

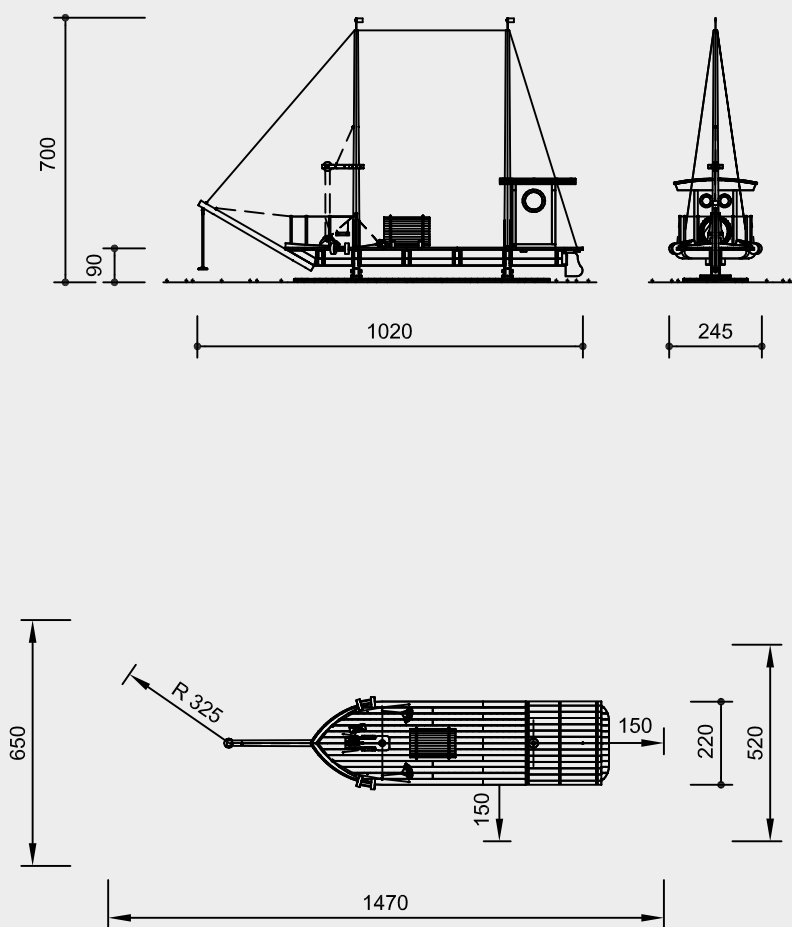
Accesses are not included in the components. They must be planned as not easily accessible e. g. Rope Bridge, Chain Path, Climbing Trunk etc.



8.03100

Order No. 8.03100
Cutter

Safety distance →
Device dimensions ●
Functional distance —



Scale 1:200

Safety check according to DIN EN 1176

Components

- 1 Deck
- 1 Counterweight with cross beams
- 2 Buffers
- 1 Wheel house
- 2 Masts with tensioning ropes and sand hoist
- 1 Sand sieve
- 1 Barrel
- 1 Bowsprit with pendulum seat

Installation information

Surfacing requirements corresponding to a fall height of ≤ 1.00 m (please refer to price list for more detailed information)

Foundations
Foundation basin
680 x 170 x 20 cm
Excavation depth 145 cm
be steel-reinforced on site (not included)

Attention:
Exact measurements may vary, for all installation dimensions refer to current installation instructions.
Technical changes reserved.

Technical information

Equipment made of non-impregnated mountain larch

Peeled white

Palisades peeled white means that bark, cambium and sapwood are removed, the natural shape of the trunk is preserved and can be experienced



Core-free

Sawn-timbers core-free, thus decreasing occurrences of cracking and undesired changes in shape



Tongue and groove

Tongue and groove planks made of 4 cm solid wood, highly resilient, no trickling of dust / sand, protection against direct rain



Plywood

Plywood made of mountain larch, three-layer (3 cm) or five-layer (4 cm). High dimensional stability, waterproof, glued according to DIN EN 13353:2011



Pendulum seat

Pendulum seat with a large rubber surface. Soft, protective edge and steel insert



Universal joint

Drop-forged, hot-dip galvanised universal joint, consists of two sintered bushes, for free swinging in any direction



Profiled washer

Profiled washer for covering protruding screw heads according to standard, improved pressure distribution and protection against water. Impedes loosening the bolt



Roller bearings

Roller bearings made of stainless steel for rotating elements, easy to maintain and exchange, sealed



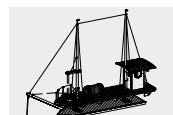
For more detailed explanation of the quality characteristics see price list.

All steel parts made of stainless steel or hot-dip galvanised
Rigging made of retensionable stainless steel ropes
Railing made of stainless steel
Steering wheel with operable helm
Underground counterweight, hot-dip galvanised steel
Window in the wheel house with stainless steel frame, both front windows with acrylic glass

Dimensions

(small deviations possible)

Height	7.00 m
Deck	
Height	0.90 m
Length	10.20 m
Width	2.20 m
Weight	4000 kg



8.03100

Play value

“Ahoy”, “Cast off!”, “Prepare to board!”
 – children are drawn towards ships as if by magic, and older people are also fascinated by them.

Our large Twin-Masted Ship, reminiscent of Captain Hook’s pirate ship from the Peter Pan story is not just a visual eye-catcher but above all is a very special play world with a magnetic effect on big and small. It acts as the central feature of a beautifully designed space and children can use it and play on it in lots of different ways.



Colouring against extra charge.



Photo © LUC London



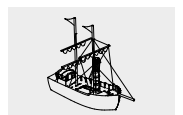
Large Twin-Masted Ship

Fundamental characteristics

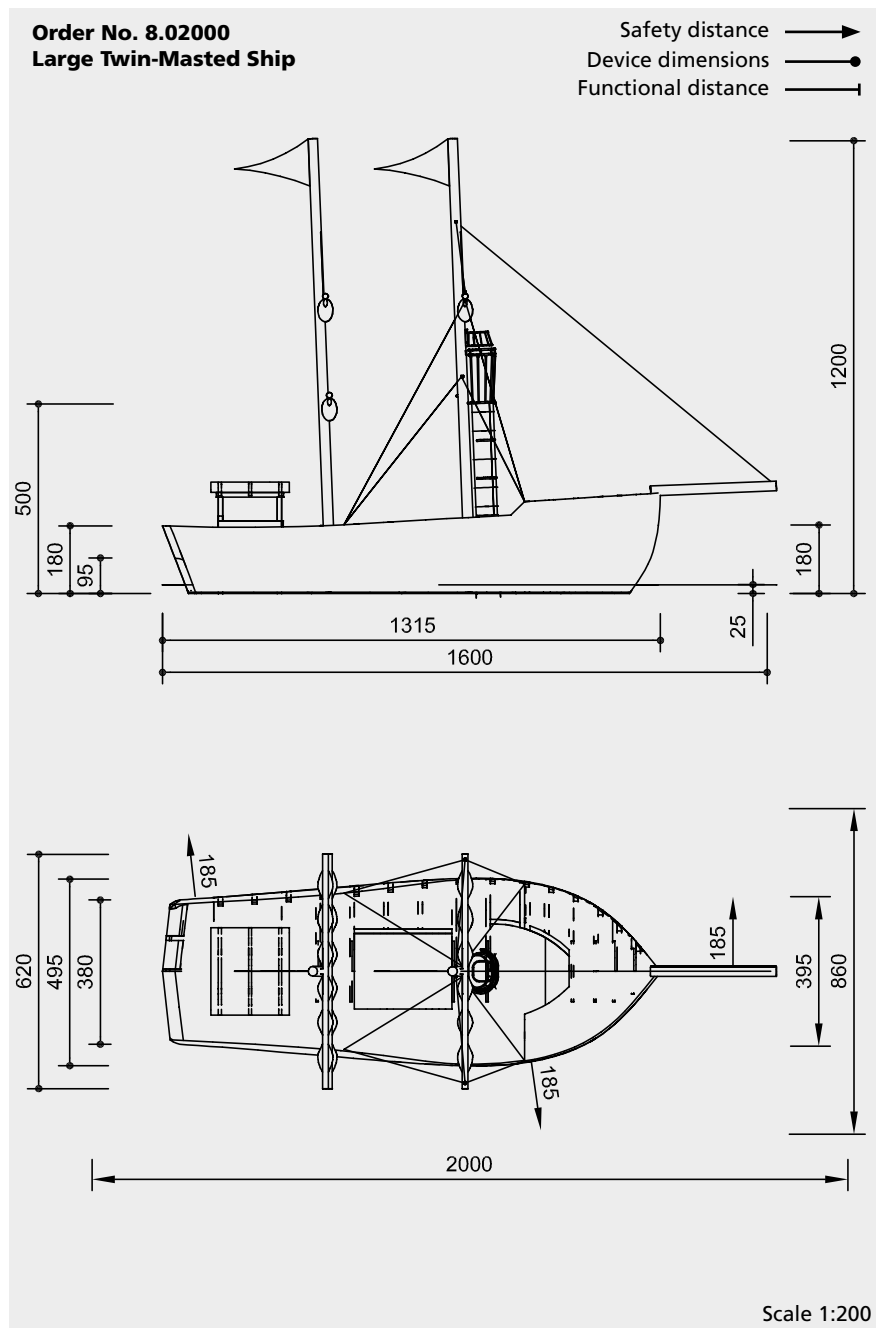
- Impressive design statement
- Very special appeal
- Eye-catcher of a play area
- Attractive meeting point
- Wooden surface for tactile sensory appeal
- Large play area in the hull
- Incentive for playing: role-playing games, hiding, observing
- Movement: climbing up and around

Recommended for

- School children
- Young people
- Public play areas without supervision, such as playgrounds, parks or similar
- Leisure parks



8.02000



Safety check according to DIN EN 1176

Components

- 2 Ship halves
- 2 Masts with tensioning ropes
- 2 Yards
- 3 Sails
- 1 Bowsprit
- 1 Cabin
- 1 Vertical net tunnel with Crow's Nest

(The flags are not included in the standard components)

Installation information

Surfacing requirements corresponding to a fall height of ≤ 1.50 m (please refer to price list for more detailed information)

Foundations
14 items 80 x 80 x 80 cm
Excavation depth 80 cm

Attention:
Exact measurements may vary;
for all installation dimensions refer to current assembly instructions.
Technical changes reserved.

Technical information

All wooden parts made of oak

Bevel cut

Vertical stand posts with bevelled end grain section as constructive wood preservation measure



Core-free

Sawn-timbers core-free, thus decreasing occurrences of cracking and undesired changes in shape



Laminated wood beams

Laminated wood beams made of non-impregnated larch, glued according to EN 14080:2013; for very large timber cross-sections; comparatively low shrinkage, almost completely free of cracks



Hardwood rungs

Climbing rungs made of hardwood (ash) Ø 4.2 cm, milled and mortised, secured against twisting, easy to grip and not cold for children to touch



Richter Hercules type rope

Richter Hercules type rope, a combination of galvanised six-strand steel cables and polyester yarn, diameter > 20 mm, laid and glued with very good abrasion resistance, strong sheathing even in the case of damage by puncturing



Rope connection with joint

Close-fitting connection with joint, without dangerous openings, with sintered bush and adjustable screw connection



Profiled washer

Profiled washer for covering protruding screw heads according to standard, improved pressure distribution and protection against water. Impedes loosening the bolt



For more detailed explanation of the quality characteristics see price list.

Sail made of canvas, sewn with UV-resistant thread, attached to the cross poles with 16 mm PP ropes.

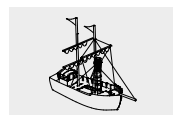
Flag made to order from fabric or sheet steel, if required with motif. (Not included in the standard components)

Crow's Nest made of stainless steel, glass bead blasted, incl. net tunnel ladder with half platforms

Dimensions

(small deviations possible)

Height	12 m
Length	16 m
Width incl. Yards	6.20 m



8.02000

Play value

The large Nile Galley is based on an ancient Egyptian Pharaoh barque. The aesthetically pleasing play sculpture not only conceals a whole range of play offers but its specially shaped design makes it uniquely memorable and contributes to the identity of a play space. To be able to slip into the role of pirate, captain, helmsperson or sailor is fun for both younger and older children – and the fact that it takes place on a “real” ship makes it all the more exciting.



Ship "Nil-Galley"

Fundamental characteristics

- Impressive design statement
- Very special appeal
- Eye-catcher of a play area
- Attractive meeting point
- Wooden surface for tactile sensory appeal
- Large play area in the hull
- Incentive for playing: role-playing games, hiding, observing
- Movement: climbing up and around

Recommended for

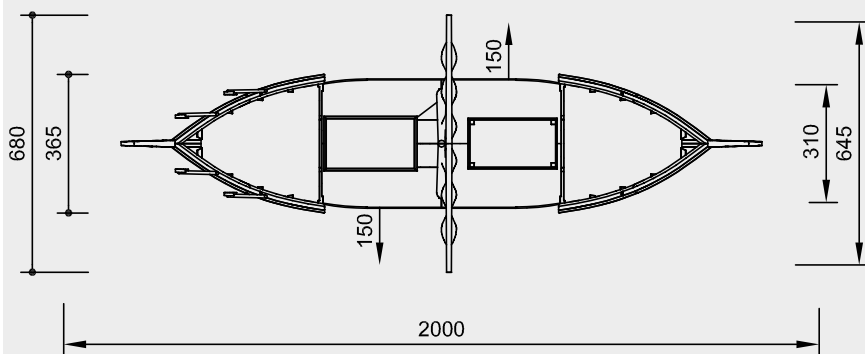
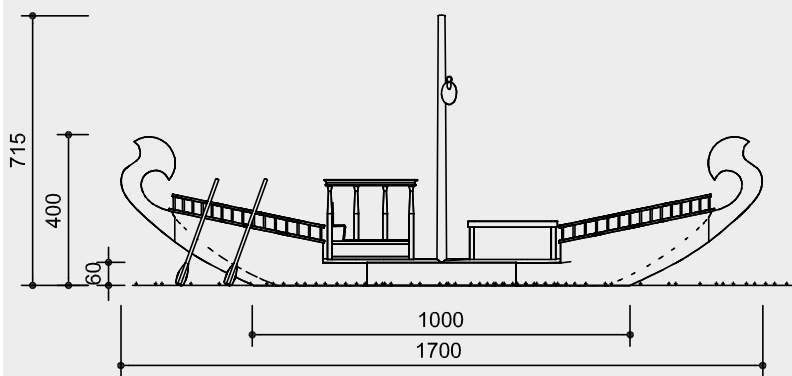
- School children
- Young people
- Public play areas without supervision, such as playgrounds, parks or similar
- Leisure parks



8.02020

Order No. 8.02020
Ship "Nil-Galley"

Safety distance →
 Device dimensions ●
 Functional distance —



Scale 1:200

Safety check according to DIN EN 1176

Components

- 1 Ship
- 1 Cabin
- 2 Masts
- 1 Sail
- 4 Wooden rudders, rigidly fixed

Installation information

Surfacing requirements corresponding to a fall height of ≤ 0.60 m (please refer to price list for more detailed information)

Foundations
 8 items 50 x 50 x 60 cm
 Excavation depth 100 cm

Attention:
Exact measurements may vary;
for all installation dimensions refer to current assembly instructions.
 Technical changes reserved.

Technical information

Masts and oars made of larch, other wooden parts made of oak

Bevel cut

Vertical stand posts with bevelled end grain section as constructive wood preservation measure



Core-free

Sawn-timbers core-free, thus decreasing occurrences of cracking and undesired changes in shape



Laminated wood beams

Laminated wood beams made of non-impregnated larch, glued according to EN 14080:2013; for very large timber cross-sections; comparatively low shrinkage, almost completely free of cracks



Hardwood rungs

Climbing rungs made of hardwood (ash) Ø 4.2 cm, milled and mortised, secured against twisting, easy to grip and not cold for children to touch



Rope connection with joint

Close-fitting connection with joint, without dangerous openings, with sintered bush and adjustable screw connection



Profiled washer

Profiled washer for covering protruding screw heads according to standard, improved pressure distribution and protection against water. Impedes loosening the bolt



For more detailed explanation of the quality characteristics see price list.

Sail made of canvas, sewn with UV-resistant thread, attached to the cross poles with 16 mm PP ropes.

Ornaments with finish at bow and stern with moulded parts made of stainless steel.

Four wooden rudders, rigidly attached to the hull

Dimensions

(small deviations possible)

Height	7.15 m
Length	17 m
Width incl. Yard	6.80 m



8.02020

Play value

The large Platform Tower is often used as the central design feature of playgrounds. With its two levels and if combined with various other pieces of playground equipment, it makes an attractive meeting place for children of all ages. The lower platform can be reached via a double ladder, climbed from the inside, which offers smaller climbers back protection. From there, the children have a variety of options, especially if suspension bridges, slides, nets and more are connected to the same level. The upper platform, which has a considerable height of 4 m, is secured by thick claddings screwed onto the structure with gaps that offer a view from a lofty height. This play area can also be reached by a double ladder and is particularly attractive if a large slide allows a swinning getaway to the ground. In this case, the slide will be installed above the extension of the lower platform in order to comply with the permitted free height of fall.

Fundamental characteristics

- Versatile opportunities for combination
- Natural wooden surface that appeals to the senses
- Incentive for playing: experiencing height, role-playing games
- Movement: climbing

Recommended for

- School children
- Supervised play areas, such as kindergartens, schools after-school programmes or similar
- Public play areas without supervision, such as playgrounds, parks or similar



Special version

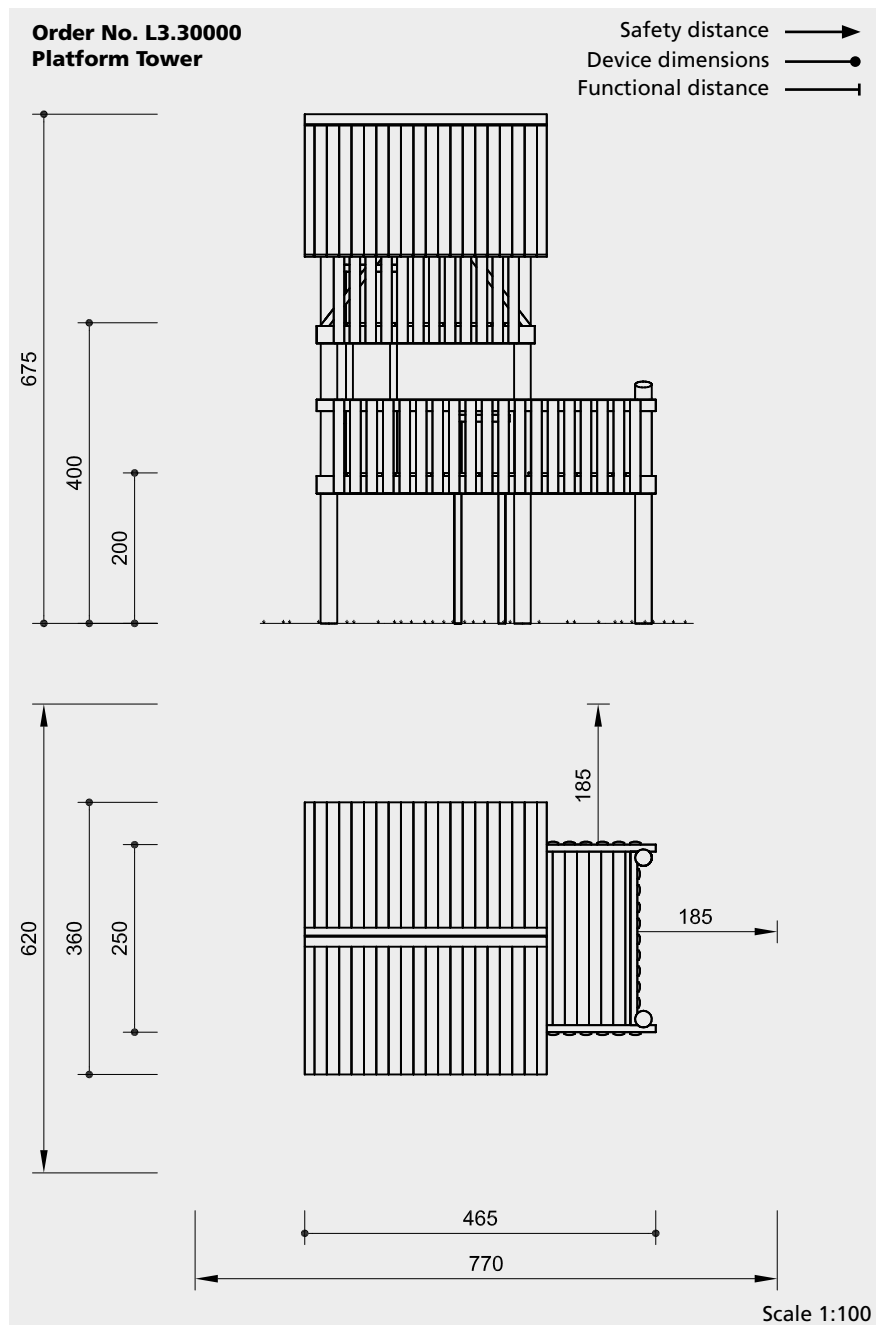
Platform Tower



Special version



L3.30000



Safety check according to DIN EN 1176

Components

- 6 Posts with steel feet
- 1 Platform with closed barrier
- 1 Platform enclosed up to the roof
- 2 Double ladders inside
- 8 Roof sections made of tongue and groove boarding

Installation information

Surfacing requirements corresponding to a fall height of ≤ 2.00 m (please refer to price list for more detailed information)

Foundations

Stand posts

6 items 110 x 110 x 60 cm
Excavation depth 80 cm

Ladders

4 items 30 x 30 x 50 cm
Excavation depth 70 cm

Attention:

Exact measurements may vary; for all installation dimensions refer to current assembly instructions.

Technical changes reserved.



L3.30000

Technical information

Equipment made of non-impregnated mountain larch

Peeled white

Palisades peeled white means that bark, cambium and sapwood are removed, the natural shape of the trunk is preserved and can be experienced



Core-free

Sawn-timbers core-free, thus decreasing occurrences of cracking and undesired changes in shape



Claddings

Claddings made of mountain larch (4 – 5 cm). Peeled white by hand, natural tree surface remains tangible and perceptible



Tongue and groove

Tongue and groove planks made of 4 cm solid wood, highly resilient, no trickling of dust / sand, protection against direct rain



Hardwood rungs

Climbing rungs made of hardwood (ash) $\varnothing 4.2$ cm, milled and mortised, secured against twisting, easy to grip and not cold for children to touch



Interlocking

Interlocking connection, with milled metal rings or serrated disc dowels, to reinforce the bolt connection under high loads transverse to the grain direction of the wood



Ground anchor

All parts used for anchoring to the ground are made of hot-dip galvanised steel or stainless steel



For more detailed explanation of the quality characteristics see price list.

Dimensions

(small deviations possible)

Total height	6.75 m
Floor heights	2.00 / 4.00 m
Floor size	2.50 x 4.00 / 2.50 x 2.40 m
Weight	approx. 4000 kg

Play value

Because of their striking shape, the Pentagonal Towers are real eye-catchers and are therefore well suited as a playground signal. They lend the site a very special, unmistakable character. The gaps in the cladding allow light to pass through and give children the opportunity to reach and experience heights. The installation of slides, e.g. as a tunnel slide increases the exercise activity. Several towers can be combined using connection tunnels to create a small village.

Fundamental characteristics

- Reach and experience heights
- Walls with gaps
- Can be combined with open slides and tunnel slides, connection tunnel, telescopes, kaleidoscope, prisms
- Incentive for playing: role-playing games

Recommended for

- School children
- Supervised play areas, such as kindergartens, schools, after-school programmes or similar
- Public play areas without supervision, such as playgrounds, parks or similar



This picture shows a special version of the Middle Pentagonal Tower, closed to a height of 2.40 m.

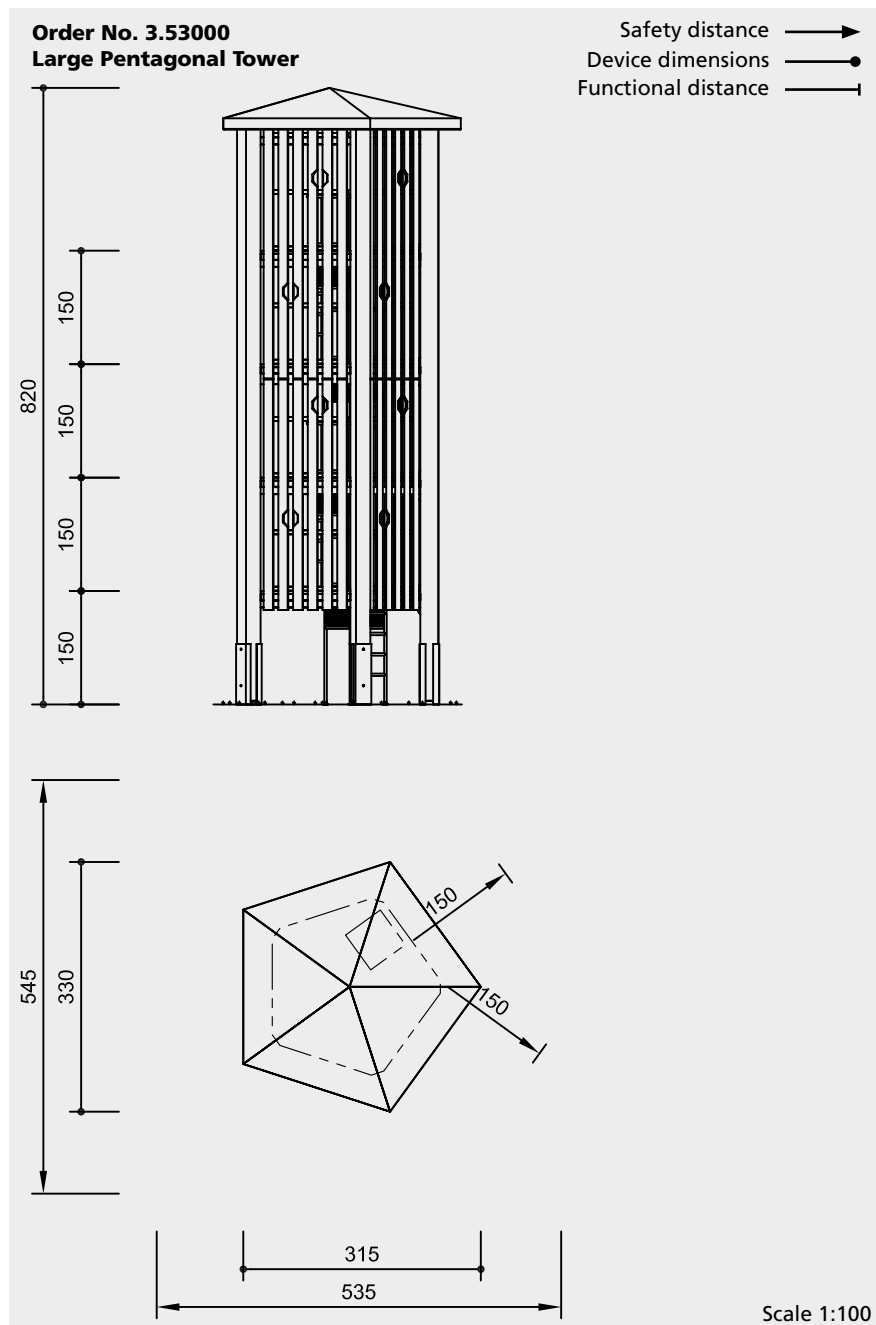
**Middle Pentagonal Tower
Large Pentagonal Tower**



3.52000



3.53000



Safety check according to DIN EN 1176

Components

- Order No. 3.52000**
Middle Pentagonal Tower
- 5 Laminated beams with steel feet
 - 3 Floors
 - 3 Ladders
 - 5 Roof elements
 - 5 Small Wall elements
 - 5 Big Wall elements

- Order No. 3.53000**
Large Pentagonal Tower
- 5 Laminated beams with steel feet
 - 4 Floors
 - 4 Ladders
 - 5 Roof elements
 - 10 Big Wall elements

Installation information

Surfacing requirements corresponding to a fall height of ≤ 1.50 m or depending on combination equipment (please refer to price list for more detailed information)

Foundations
1 item Ø 360 x 70 cm
Excavation depth 110 cm

Attention:
Exact measurements may vary;
for all installation dimensions refer to current assembly instructions.
Technical changes reserved.

Technical information

Equipment made of non-impregnated mountain larch

Core-free
Sawn-timbers core-free, thus decreasing occurrences of cracking and undesired changes in shape



Claddings
Claddings made of mountain larch (4 – 5 cm). Peeled white by hand, natural tree surface remains tangible and perceptible



Tongue and groove
Tongue and groove planks made of 4 cm solid wood, highly resilient, no trickling of dust / sand, protection against direct rain



Laminated wood beams
Laminated wood beams made of non-impregnated larch, glued according to EN 14080:2013; for very large timber cross-sections; comparatively low shrinkage, almost completely free of cracks



Ground anchor
All parts used for anchoring to the ground are made of hot-dip galvanised steel or stainless steel



For more detailed explanation of the quality characteristics see price list.

Roof, floor frame and ladders on the inside made of stainless steel, glass bead blasted

Acrylic glass in window openings

Dimensions
(small deviations possible)

Order No. 3.52000	
Middle Pentagonal Tower	
Height	6.70 m
Floor heights	1.50 / 3.00 / 4.50 m
Floor space diameter	2.05 m
Footprint diameter incl. roof	3.50 cm
Length	3.15 m
Width	3.30 m
Weight	3500 kg

Order No. 3.53000	
Large Pentagonal Tower	
Height	8.20 m
Floor heights	1.50 / 3.00 / 4.50 / 6.00 m
Floor space diameter	2.05 m
Footprint diameter incl. roof	3.50 m
Length	3.15 m
Width	3.30 m
Weight	4000 kg



3.52000



3.53000

Play value

The enchanting Round Village is composed of various little houses arranged in a circle and connected via walkways. They are the perfect setting to inspire a range of different movement activities and role-play. The play area on the large platform, around which the little houses are positioned, is fun to explore, and a slide or one of the bridge elements can be used to get "out of the village" again. The five slim, high palisades also make this object an attraction that can be seen from afar.



Photo © Tristan Filippone



Photo © Tristan Filippone

Round Village

Fundamental characteristics

- Impressive design statement
- Very special appeal
- Eye-catcher of a play area
- Attractive meeting point
- Incentive for playing: curiosity, role-playing games, hiding
- Movement: climbing up and around

Planning information

The access and exits, such as wheelchair ramps, wheelchair slides, chain walkways etc., must be planned by our planning department depending on the requirements.


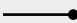
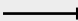
Recommended for

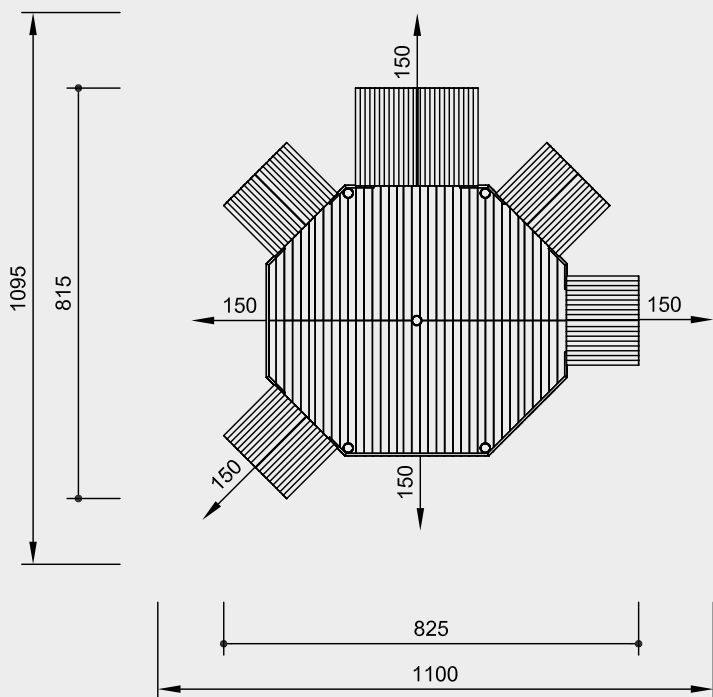
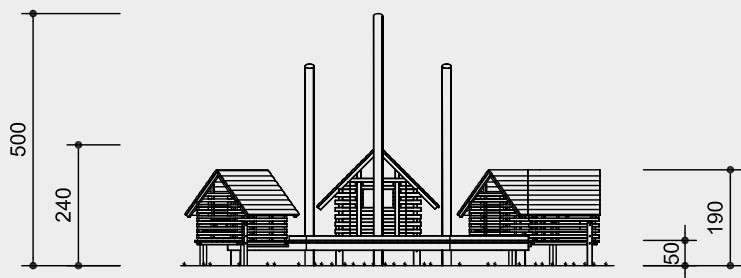
- Kindergarten children
- School children
- Young People
- Puplic play areas without supervision such as playgrounds, parks or similair
- Swimming pools without supervision, such as outdoor pools, adventure pools or similar
- Leisure parks



4.10600

Order No. 4.10600
Round Village

Safety distance 
Device dimensions 
Functional distance 



Scale 1:100

Safety check according to DIN EN 1176

Components

- 4 Small Timber Houses with steel feet
- 1 Large Timber House with steel feet
- 1 Play floor with all-round upstand
- 5 Wooden masts

Installation information

Surfacing requirements corresponding to a fall height of ≤ 0.60 m (please refer to price list for more detailed information)

Foundations

Timber Houses
10 items 50 x 50 x 40 cm
Excavation depth 60 cm

Play floor / Masts
8 item 50 x 50 x 40 cm
Excavation depth 60 cm
5 item 60 x 60 x 60 cm
Excavation depth 80 cm

Attention:
Exact measurements may vary;
for all installation dimensions refer
to current assembly instructions.
Technical changes reserved.



4.10600

Technical information

Equipment made of non-impregnated mountain larch

Peeled white

Palisades peeled white means that bark, cambium and sapwood are removed, the natural shape of the trunk is preserved and can be experienced



Bevel cut

Vertical stand posts with bevelled end grain section as constructive wood preservation measure



Core-free

Sawn-timbers core-free, thus decreasing occurrences of cracking and undesired changes in shape



Claddings

Claddings made of mountain larch (4 – 5 cm). Peeled white by hand, natural tree surface remains tangible and perceptible



Tongue and groove

Tongue and groove planks made of 4 cm solid wood, highly resilient, no trickling of dust / sand, protection against direct rain



Ground anchor

All parts used for anchoring to the ground are made of hot-dip galvanised steel or stainless steel



For more detailed explanation of the quality characteristics see price list.

Dimensions

(small deviations possible)

Length	8.25 m
Width	8.15 m
Height Timber Houses	2.40 / 1.90 m
Height House floors	0.50 m
Weight total	3400 kg

Play value

The gentle nature of these play and art figures with their calm expressions create an atmosphere of peace that promotes friendly interaction. The sculptures – each is a unique specimen – are made of mountain larch. They invite children to stroke, touch and feel them, but they can also be sat upon or incorporated into role-playing games. Play figures such as these are something very special – they strengthen the identity of a playground.



Order No. 4.51100 Polar Bear Family



Order No. 4.51100 Polar Bear Family

Polar Bear Family
Polar Bear
Small Polar Bear

Fundamental characteristics

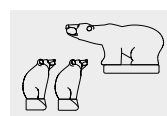
- Child-oriented dimensions
- Natural colours
- High-quality design
- Incentive for playing: animals with a friendly appearance
- Movement: climbing, sitting, cuddling

Recommended for

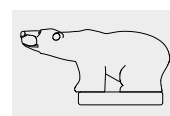
- Children under 3 years
- Kindergarten children
- Supervised play areas, such as kindergartens, schools, after-school programmes or similar
- Public play areas without supervision, such as playgrounds, parks or similar

© Richter Spielgeräte GmbH 06/22

Design C. Huba



4.51100



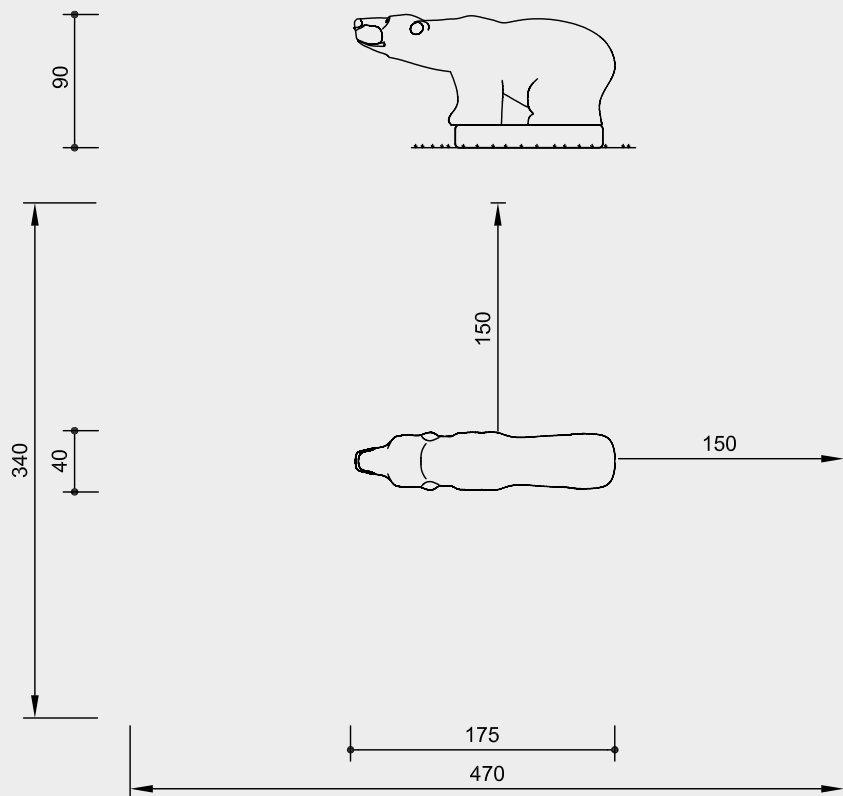
4.51110



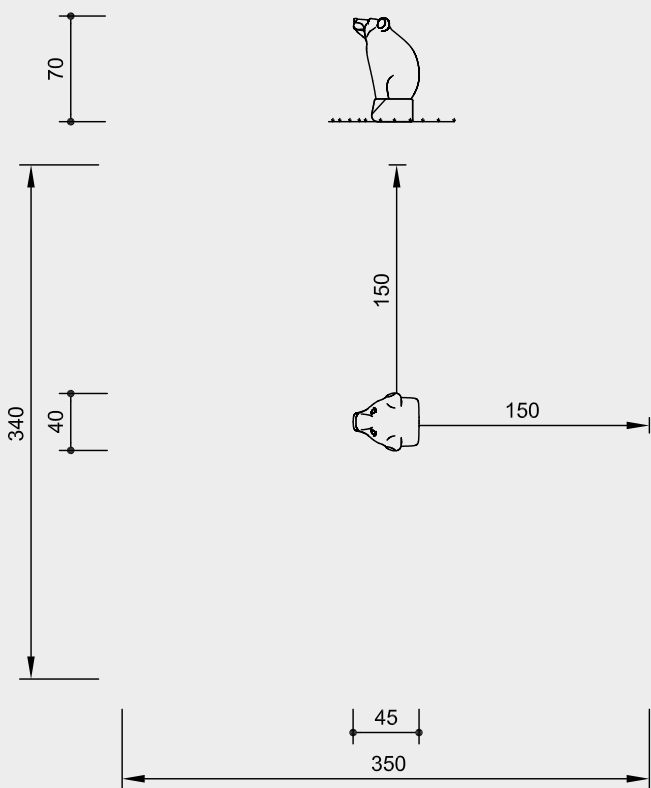
4.51120

Order No. 4.51110
Polar Bear

Safety distance →
Device dimensions ●
Functional distance —

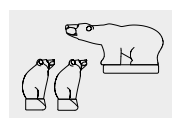


Order No. 4.51120
Small Polar Bear

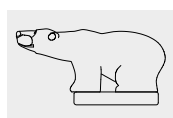


Scale 1:50

Safety check according to DIN EN 1176



4.51100



4.51110



4.51120

Technical information

Equipment made of non-impregnated mountain larch

Ground anchor

All parts used for anchoring to the ground are made of hot-dip galvanised steel or stainless steel



For more detailed explanation of the quality characteristics see price list.

Acrylic paints for colouring, larch oil as protective coating

Colour samples only for orientation, original colours differ

Dimensions

(each animal is a unique specimen, therefore deviations are possible)

Order No. 4.51110

Polar Bear

Height	0.90 m
Width	0.40 m
Length	1.75 m
Weight	approx. 190 kg

Order No. 4.51120

Small Polar Bear

Height	0.70 m
Width	0.40 m
Length	0.45 m
Weight	approx. 35 kg

Components

Order No. 4.51100

Polar Bear Family

- 1 Animal sculpture: polar bear
- 2 Animal sculptures: small polar bears
- 4 Foundation irons

Order No. 4.51110

Polar Bear

- 1 Animal sculpture: polar bear
- 2 Foundation irons

Order No. 4.51120

Small Polar Bear

- 1 Animal sculpture: small polar bear
- 1 Foundation irons

More animal sculptures on request

Installation information

Surfacing requirements corresponding to a fall height of ≤ 1.00 m (please refer to price list for more detailed information)

Foundations

Order No. 4.51110

Polar Bear

- 1 item 90 x 30 x 35 cm
- Excavation depth 35 cm

Order No. 4.51120

Small Polar Bear

- 1 item 30 x 30 x 35 cm
- Excavation depth 35 cm

Attention:

Exact measurements may vary; for all installation dimensions refer to current assembly instructions.

Technical changes reserved.

Play value

Children love swinging motions and they also love surprises. The artistically designed support posts of this Giraffe Swing are an unexpected idea attracting an enthusiastic reception. Children who don't wish to play, watch from the back of the giraffe or dream about the wide open spaces of Africa. The Giraffe Swing is particularly suited to define play areas as it emphasises the identity of the location. It is an unforgettable experience.



Giraffe Swing

Fundamental characteristics

- Play art
- Unique and original
- Incentive for playing: animal-like shape
- Movement: swinging

Recommended for

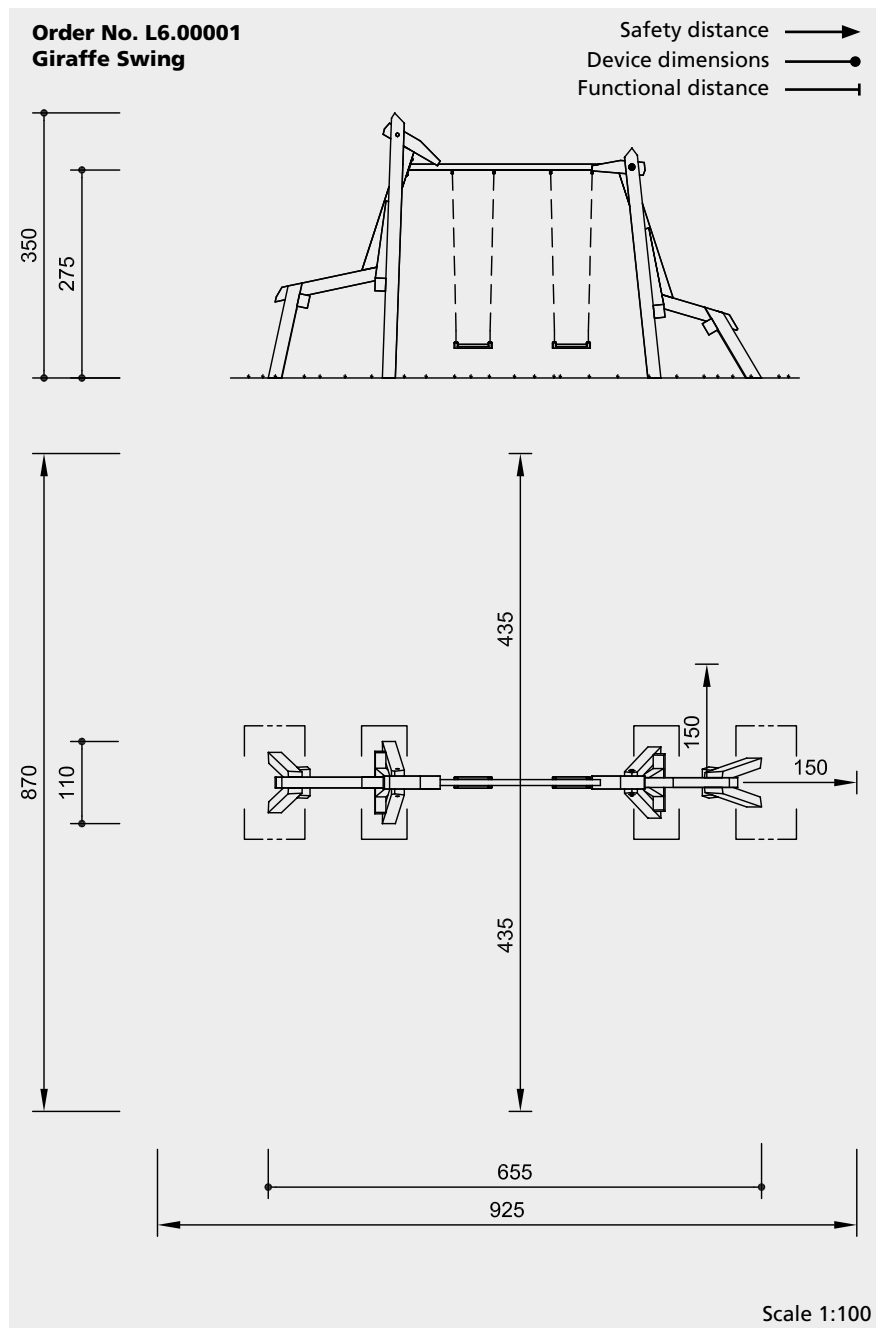
- School children
- Supervised play areas, such as schools, after-school programmes or similar
- Public play areas without supervision, such as playgrounds, parks or similar

© Richter Spielgeräte GmbH 06/22

Design F. Schellb



L6.00001



Safety check according to DIN EN 1176

Components

- 1 Swing frame with 1 large and 1 small giraffe, with steel feet and crossbeam made of metal
- 2 Swing seats with chains

Installation information

Surfacing requirements corresponding to a fall height of ≤ 1.50 m (please refer to price list for more detailed information)

Foundations
2 items 80 x 150 x 60 cm
Excavation depth 80 cm
2 items 60 x 150 x 60 cm
Excavation depth 80 cm

Attention:
Exact measurements may vary, for all installation dimensions refer to current installation instructions.
Technical changes reserved.

Technical information

Equipment made of non-impregnated mountain larch

Core-free

Sawn-timbers core-free, thus decreasing occurrences of cracking and undesired changes in shape



Swing seat

Ergonomically shaped swing seat made of rubber with soft shock absorbing edge. Durable due to strong profiled steel insert



Swing joint

Drop-forged, hot-dip galvanised swing joint with sintered bush and integrated swivel



Profiled washer

Profiled washer for covering protruding screw heads according to standard, improved pressure distribution and protection against water. Impedes loosening the bolt



Adjustable

Adjustable two-piece bolt connection, easy to maintain, no projecting threads



Ground anchor

All parts used for anchoring to the ground are made of hot-dip galvanised steel or stainless steel



Chains

Chains made of hot-dip galvanized steel (1.4301 / 1.4571 at extra charge) welded before galvanising, short-linked, without eyelets on the connecting parts, easy to exchange and shorten



For more detailed explanation of the quality characteristics see price list.

Cross bar made of galvanised steel tube

Dimensions

(small deviations possible)

Height	3.50 m
Vertical clearance	2.75 m
Length	6.55 m
Width	1.10 m
Weight	550 kg



L6.00001

Play value

The chimney slide is a piece of equipment for particularly skilful and daring children. The platform can only be reached via the chimney or the two climbing poles and is thus primarily suitable for older children and young people. This makes the platform a popular meeting place for retreating, enjoying the view and chatting in peace. For younger and older children alike it is lots of fun to swiftly get away on the long wave slide.



Special version



Special version



Special version

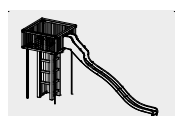
Chimney Slide

Fundamental characteristics

- Unique and original
- Appealing design
- Incentive for playing: experiencing height, role-playing games
- Movement: climbing, sliding

Recommended for

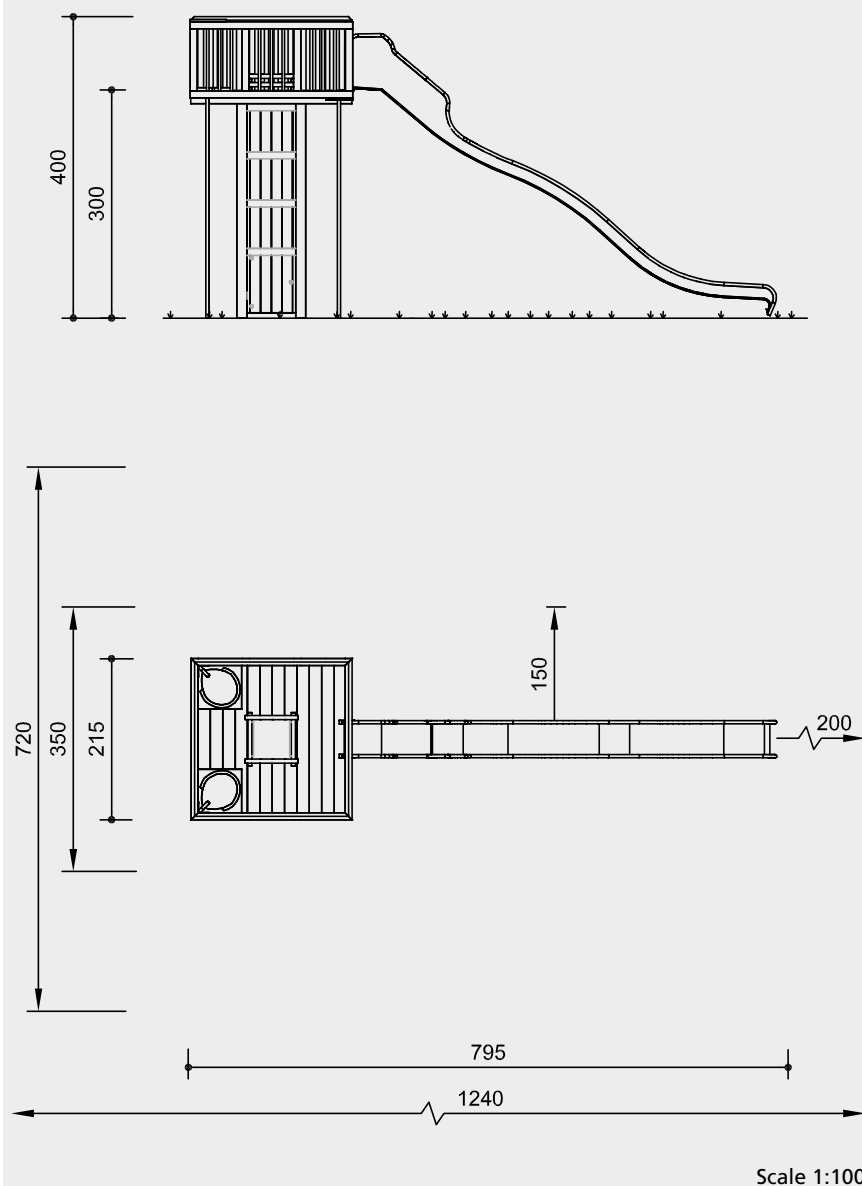
- School children
- Young people
- Public play areas without supervision, such as playgrounds, parks or similar
- Swimming pools without supervision, such as outdoor pools, adventure pools or similar



7.78000

Order No. 7.78000
Chimney Slide

Safety distance →
Device dimensions ●
Functional distance —



Scale 1:100

Safety check according to DIN EN 1176

Components

- 1 Chimney with internal access
- 1 Platform with handrails
- 1 Bundle: 4 firemen's poles
- 1 Stainless steel slide,
Order No 3.63225

Installation information

Surfacing requirements corresponding to a fall height of ≤ 3.00 m (please refer to price list for more detailed information)

Foundations

Chimney and firemen's poles

4 items 50 x 115 x 60 cm
Excavation depth 80 cm

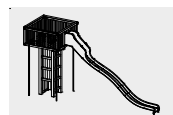
Slide

1 item 70 x 30 x 30 cm
Excavation depth 70 cm

Attention:

Exact measurements may vary; for all installation dimensions refer to current assembly instructions.

Technical changes reserved.



7.78000

Technical information

Equipment made of non-impregnated mountain larch

Core-free

Sawn-timbers core-free, thus decreasing occurrences of cracking and undesired changes in shape



Tongue and groove

Tongue and groove planks made of 4 cm solid wood, highly resilient, no trickling of dust / sand, protection against direct rain



Hardwood rungs

Climbing rungs made of hardwood (ash) Ø 4.2 cm, milled and mortised, secured against twisting, easy to grip and not cold for children to touch



Ground anchor

All parts used for anchoring to the ground are made of hot-dip galvanised steel or stainless steel



For more detailed explanation of the quality characteristics see price list.

Firemen's poles made of stainless steel, Ø 42 mm, glass-bead blasted

Slide made of stainless steel, glass-bead blasted, 2-mm-thick sliding surface with higher sides 2.5 mm

Dimensions

(small deviations possible)

Height	4.00 m
Length	7.95 m
Width	2.15 m
Floor height	3.00 m
Floor size	2.15 x 2.15 m
Length firemen's poles	3.00 / 3.90 m
Weight	approx. 1200 kg

Play value

The versatile Play Block offers a range of different exercise and play activities and is an attractive meeting point for older children and teenagers. The large platform can only be reached through the chimney or the climbing poles, which is a real challenge. Sliding down on the long wave slide is great fun. The climbing wall is a special attraction; children like to test their strength and skills there.



© Richter Spielgeräte GmbH 06/22

Play Block

Fundamental characteristics

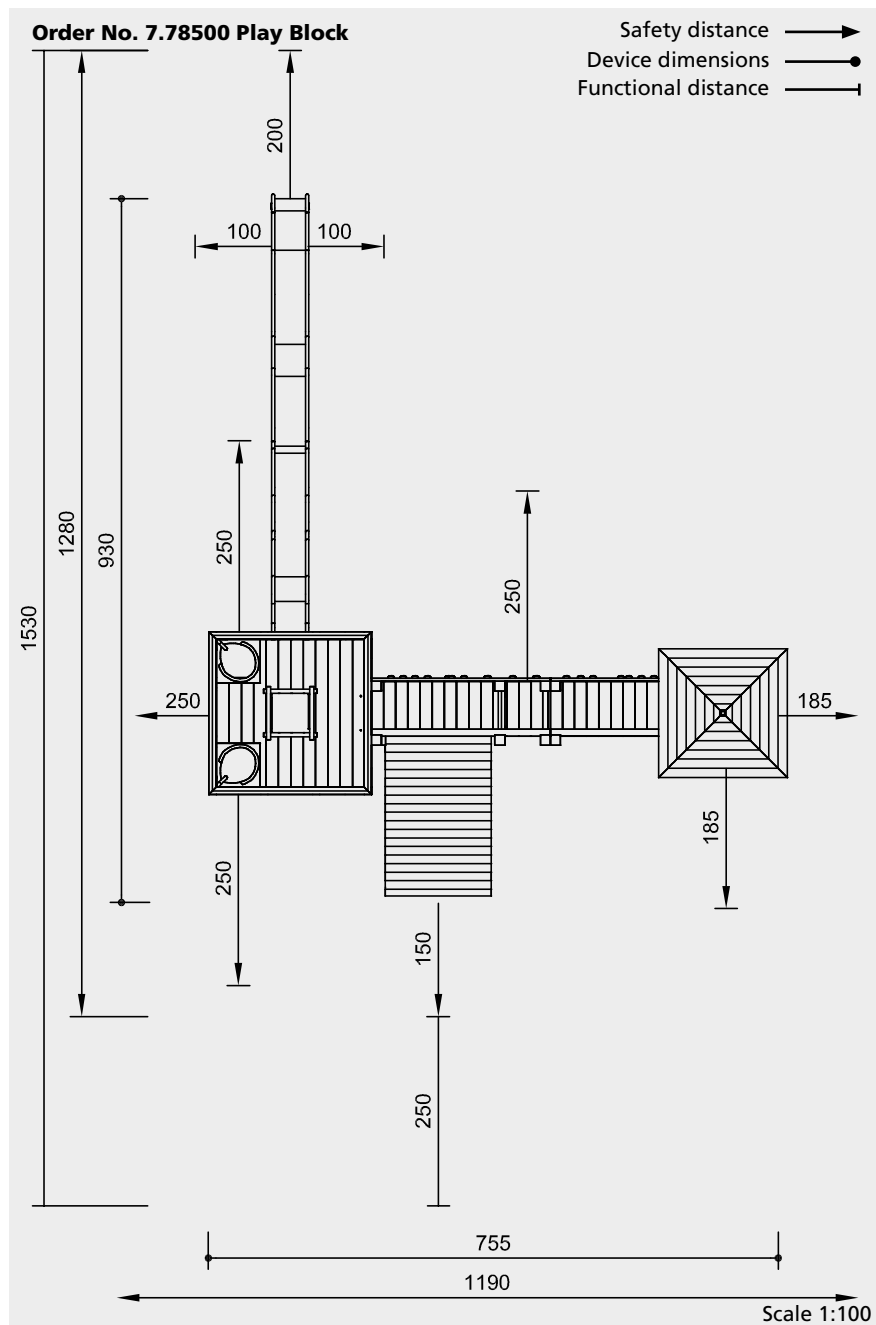
- Attractive meeting point
- A range of different exercise and play activities
- Incentive for playing: experiencing height, adventure
- Movement: climbing, physical effort, sliding, climbing up

Recommended for

- School children
- Young people
- Public play areas without supervision, such as playgrounds, parks or similar
- Swimming pools without supervision, such as outdoor pools, adventure pools or similar



7.78500



Safety check according to DIN EN 1176

Components

- 1 Chimney with passageway to platform
- 1 Platform 2.15 x 2.15 m
- 2 Firemen's pole up to balustrade
- 1 Stainless steel slide with 1 wave and higher sides,
Order No 3.63225
- 1 Two-part connecting structure with climbing wall
- 1 Firemen's pole
- 1 Inclined wall
- 1 Table
- 1 Bench
- 1 Square tower with raised roof



7.78500

Installation information

Surfacing requirements corresponding to a fall height of ≤ 3.00 m (please refer to price list for more detailed information)

Foundations

- Chimney**
- 1 item 130 x 130 x 60 cm
- 2 items 50 x 50 x 60 cm
- Excavation depth 80 cm
- Inclined wall**
- 2 items 50 x 50 x 40 cm
- Excavation depth 60 cm
- Tower**
- 4 items 50 x 50 x 55 cm
- Excavation depth 75 cm

Play block modules

- 4 items 50 x 120 x 60 cm
- Excavation depth 80 cm

Slide

- 1 item 30 x 70 x 30 cm
- Excavation depth 70 cm

Table

- 1 item 40 x 40 x 40 cm
- Excavation depth 60 cm

Technical information

Equipment made of non-impregnated mountain larch

Core-free

Sawn-timbers core-free, thus decreasing occurrences of cracking and undesired changes in shape



Claddings

Claddings made of mountain larch (4 – 5 cm). Peeled white by hand, natural tree surface remains tangible and perceptible



Tongue and groove

Tongue and groove planks made of 4 cm solid wood, highly resilient, no trickling of dust / sand, protection against direct rain



Hardwood rungs

Climbing rungs made of hardwood (ash) Ø 4.2 cm, milled and mortised, secured against twisting, easy to grip and not cold for children to touch



Ground anchor

All parts used for anchoring to the ground are made of hot-dip galvanised steel or stainless steel



For more detailed explanation of the quality characteristics see price list.

Firemen's pole of stainless steel, Ø 42 mm, glass bead blasted

Total construction of slides made of stainless steel with a 2-mm-thick sliding surface with higher glass-bead-blasted sides

Professional climbing grips made of a mixture of sand / synthetic resin with anti-rotation system against unintended twisting of the grips

Tower, refer to Order No. L3.20600

Dimensions

(small deviations possible)

Chimney Slide	
Height	3.95 m
Floor height	3.00 m
Floor size	2.15 x 2.15 m
Tower	
Height	4.50 m
Floor heights	0.20 / 1.05 / 2.00 m
Connecting walkway	4.00 x 1.00 m
Inclined wall	
Install. height	2.00 m
Stainless steel slide	
Install. height	3.00 m
Width	0.45 m

Attention:

Exact measurements may vary; for all installation dimensions refer to current assembly instructions.

Technical changes reserved.

Play value

Our Comes Around is an aesthetically convincing as well as comfortable sitting area. The two staggered halfshell-shaped niches each have a bench and invite the children to retreat or take a short breather before resuming play. There's also room for role-playing games, and older children use the Comes Around to hang out and keep watch.



Order No. 7.83001 Comes Around 01, double version



Order No. 7.83001 Comes Around 01 and Order No. 7.83002 Comes Around 02

© Richter Spielgeräte GmbH 06/22

Design F. Dorband / K. H. Thiele

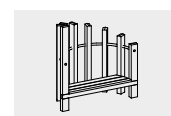
Comes Around

Fundamental characteristics

- Child-friendly dimensions according to ergonomic findings
- Natural wooden surfaces which appeal to the senses
- Incentive for playing: rest, retreat, observe, and role-playing games thanks to two partitioned rooms
- Movement: balancing, jumping off

Recommended for

- School children
- Young people
- Supervised play areas, such as kindergartens, schools, after-school programmes or similar
- Public play areas without supervision, such as playgrounds, parks or similar
- Private play areas without supervision, such as campsites or similar



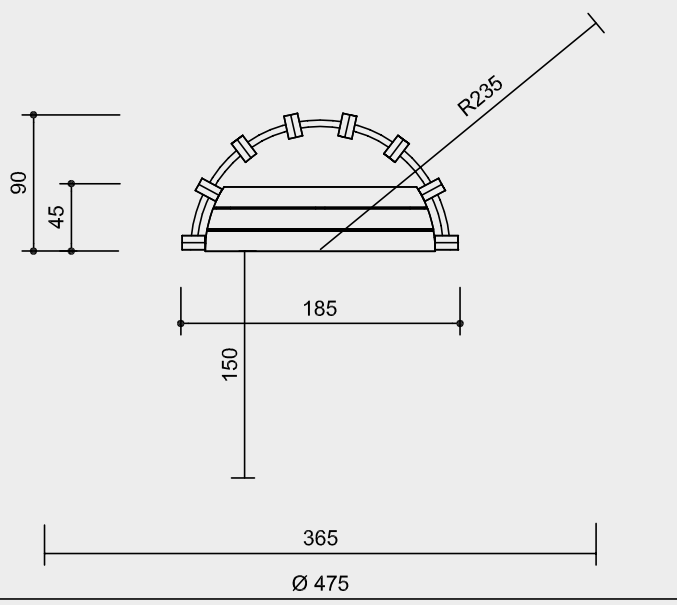
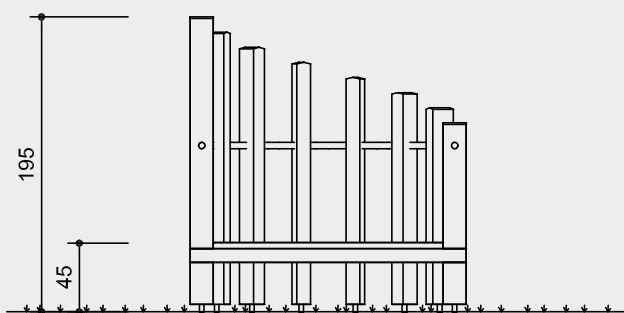
7.83001



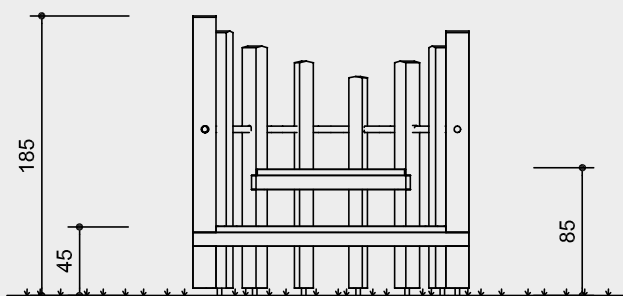
7.83002

**Order No. 7.83001
Comes Around 01**

Safety distance →
Device dimensions ●
Functional distance —



**Order No. 7.83002
Comes Around 02**



Scale 1:50

Safety check according to DIN EN 1176

Technical information

Equipment made of non-impregnated mountain larch

Bevel cut

Vertical stand posts with bevelled end grain section as constructive wood preservation measure



Core-free

Sawn-timbers core-free, thus decreasing occurrences of cracking and undesired changes in shape



Ground anchor

All parts used for anchoring to the ground are made of hot-dip galvanised steel or stainless steel



For more detailed explanation of the quality characteristics see price list.

Stainless steel connecting bar

Dimensions

(small deviations possible)

**Order No. 7.83001
Comes Around 01**

Height	1.95 m
Length	1.85 m
Width	0.90 m

**Order No. 7.83002
Comes Around 02**

Height	1.85 m
Length	1.85 m
Width	0.90 m

Components

1 Part complete

Installation information

Surfacing requirements corresponding to a fall height of ≤ 0.60 m (please refer to price list for more detailed information)

Foundations
2 items 40 x 40 x 40 cm
Excavation depth 60 cm
1 item 40 x 75 x 40 cm
Excavation depth 60 cm

Attention:
Exact measurements may vary;
for all installation dimensions refer to current assembly instructions.
Technical changes reserved.



7.83001



7.83002

Play value

Platforms installed at several levels simply invite children to get engaged in various exercise and role playing games in our Small Play Pyramid. They can climb up to and explore the individual playing levels. When finished, slides and sliding poles allow for a swift getaway to the ground. Totter path, swing and pendulum seat provide further incentives for exercise activities. A windmill installed at the top of the pyramid shines in the light and lets this object attract attention from afar.



Tunnel slide is not included in the components.



Tunnel slide is not included in the components, Photo © Daniel Perales

Small Play Pyramid

Fundamental characteristics

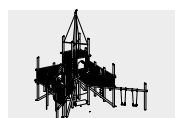
- Impressive design statement
- Very special appeal
- Eye-catcher of a play area attractive meeting point
- Incentive for playing: curiosity, role-playing games, experiencing height, hiding
- Movement: climbing up and around, sliding

Recommended for

- School children
- Young people
- Public play areas without supervision, such as playgrounds, parks or similar
- Swimming pools without supervision, such as outdoor pools, adventure pools or similar
- Leisure parks

Components

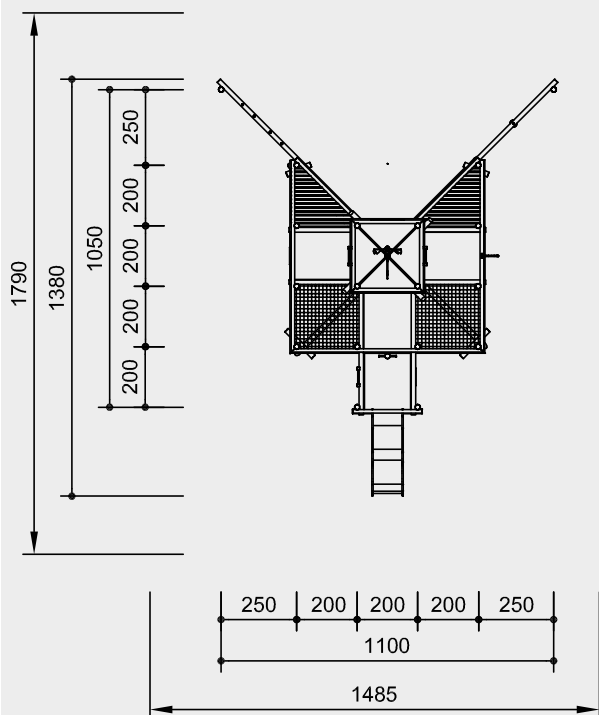
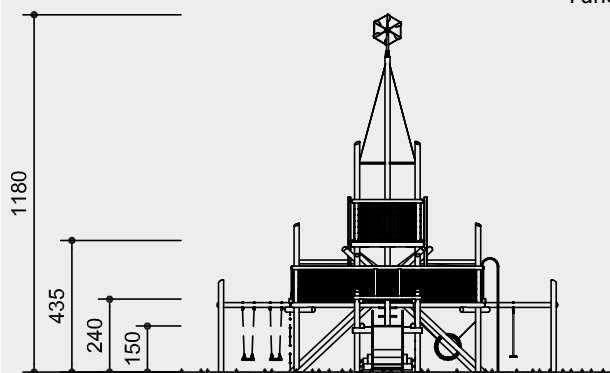
- 1 Basic structure
- 1 Stainless steel slide, **Order No. 3.63320**
- 1 Large windmill with tensioning cables
- 3 Ladders
- 2 Boatswain ladders
- 1 Crawling tube
- 1 Turning roller with holding rope
- 1 Rotating beam
- 1 Pendulum seat
- 1 Double swing
- 1 Bent fireman's pole
- 2 Horizontal chain nets



8.00010

Order No. 8.00010 Small Play Pyramid

Safety distance →
 Device dimensions ●
 Functional distance —



Scale 1:250

Safety check according to DIN EN 1176

Dimensions

(small deviations possible)

Height	11.80 m
Platform height	1.50 / 2.40 / 4.35 m
Length	13.80 m
Width	11.00 m

Installation information

Surfacing requirements corresponding to a fall height of ≤ 3.00 m (please refer to price list for more detailed information)

Foundations

Basic structure

- 1 Strip foundation 1180 x 80 x 60 cm
- Excavation depth 95 cm
- to be steel-reinforced by customer
- 1 item 1180 x 80 x 15 cm
- no separate excavation required
- 1 item 280 x 280 x 60 cm
- Excavation depth 95 cm
- 1 item 280 x 280 x 15 cm
- no separate excavation required

Combination elements on request

Attention:

Exact measurements may vary; for all installation dimensions refer to current assembly instructions.

Technical changes reserved.

Technical information

Equipment made of mountain larch

Peeled white

Palisades peeled white means that bark, cambium and sapwood are removed, the natural shape of the trunk is preserved and can be experienced



Bevel cut

Vertical stand posts with bevelled end grain section as constructive wood preservation measure



Core-free

Sawn-timbers core-free, thus decreasing occurrences of cracking and undesired changes in shape



Tongue and groove

Tongue and groove planks made of 4 cm solid wood, highly resilient, no trickling of dust / sand, protection against direct rain



Hardwood rungs

Climbing rungs made of hardwood (ash) Ø 4.2 cm, milled and mortised, secured against twisting, easy to grip and not cold for children to touch



Swing seat

Ergonomically shaped swing seat made of rubber with soft shock absorbing edge. Durable due to strong profiled steel insert



Pendulum seat

Pendulum seat with a large rubber surface. Soft, protective edge and steel insert



Swing joint

Drop-forged, hot-dip galvanised swing joint with sintered bush and integrated swivel



Universal joint

Drop-forged, hot-dip galvanised universal joint, consists of two sintered bushes, for free swinging in any direction



Profiled washer

Profiled washer for covering protruding screw heads according to standard, improved pressure distribution and protection against water. Impedes loosening the bolt



Ground anchor

All parts used for anchoring to the ground are made of hot-dip galvanised steel or stainless steel



Chains

Chains made of hot-dip galvanized steel (1.4301 / 1.4571 at extra charge) welded before galvanising, short-linked, without eyelets on the connecting parts, easy to exchange and shorten



Roller bearings

Roller bearings made of stainless steel for rotating elements, easy to maintain and exchange, sealed



For more detailed explanation of the quality characteristics see price list.

All steel parts made of stainless steel or hot-dip galvanised
 Barriers made of hot-dip galvanised metal grids



8.00010

Play value

Our Big Wooden Plane equally delights both big and little children. They can climb up to the fuselage of the plane via the spring-mounted deck as well as via the rope net at the tail of the plane. The object is enhanced by a climbing ladder and firemen's pole as well as rotating propellers. The child-oriented design is very appealing and, together with the integrated telephone in the form of a call box and the small airline kitchen, entices flyers to diverse role-playing activities. Its strong expressive design character also makes it an attractive centre point of any playground.



© Richter Spielgeräte GmbH 06/22

Large Wooden Airplane

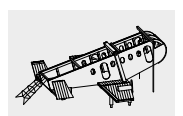
Fundamental characteristics

- Very special appeal
- Eye-catcher of a play area
- Attractive meeting point
- Incentive for playing: curiosity, role-playing games, experiencing height, hiding
- Movement: climbing up and around, observing, jumping

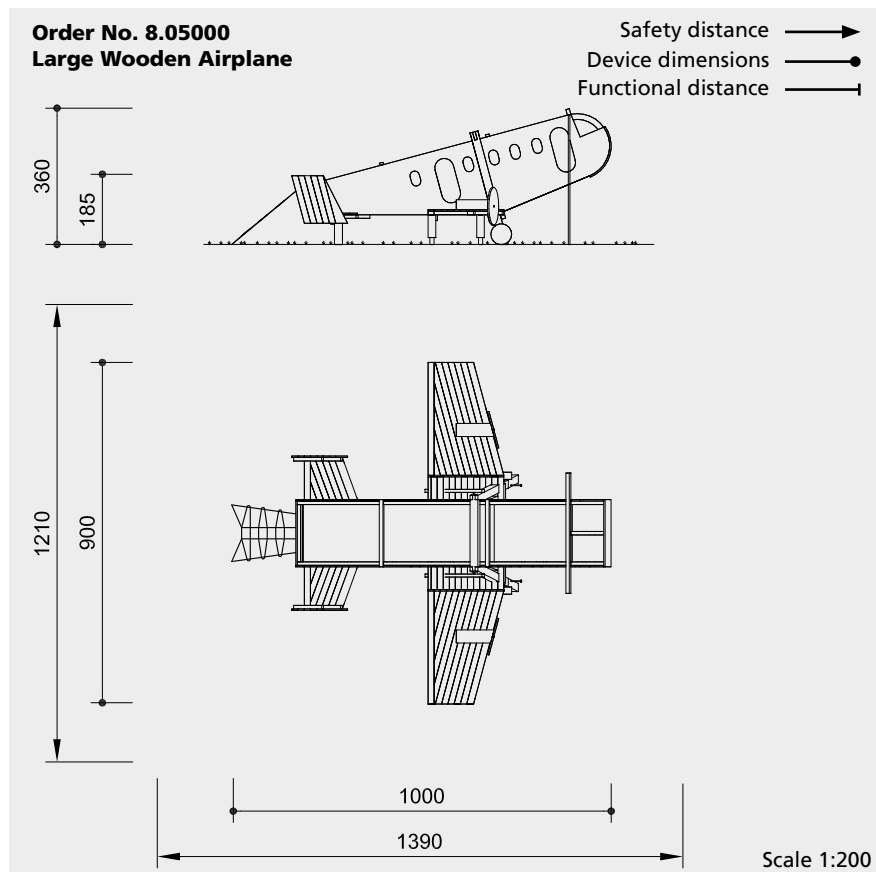
Recommended for

- School children
- Young people
- Public play areas without supervision, such as playgrounds, parks or similar
- Leisure parks

Design G. Beltzig



8.05000



Safety check according to DIN EN 1176

Components

- 1 Fuselage
- 4 Spring supports
- 2 Wings with propellers
- 1 Tail wing
- 2 Rudders
- 2 Wing consoles
- 2 Wing supports
- 1 Front support frame with fuselage support
- 1 Rear support frame
- 2 Wheels
- 1 Inclined climbing net
- 1 Firemen's pole
- 1 Cross beam with climbing ladder

Installation information

Surfacing requirements corresponding to a fall height of ≤ 3.00 m (please refer to price list for more detailed information)

Foundations

- Fuselage**
- Blinding layer
 - 1 item 400 x 120 x 20 cm
 - 1 item 240 x 100 x 20 cm
 - Excavation depth 120 cm
- Foundations**
- 1 item 400 x 120 x 60 cm
 - 1 item 240 x 100 x 60 cm

- Wings**
- 2 items 200 x 60 x 60 cm
 - Excavation depth 100 cm
- Inclined climbing net**
- 2 items 50 x 50 x 40 cm
 - Excavation depth 80 cm
- Firemen's pole**
- 1 item 55 x 40 x 30 cm
 - Excavation depth 50 cm
- Climbing ladder**
- 1 item 30 x 30 x 30 cm
 - Excavation depth 50 cm

Attention:
Exact measurements may vary; for all installation dimensions refer to current installation instructions.
Technical changes reserved.

Technical information

Equipment made of non-impregnated mountain larch

Peeled white

Palisades peeled white means that bark, cambium and sapwood are removed, the natural shape of the trunk is preserved and can be experienced



Core-free

Sawn-timbers core-free, thus decreasing occurrences of cracking and undesired changes in shape



Tongue and groove

Tongue and groove planks made of 4 cm solid wood, highly resilient, no trickling of dust / sand, protection against direct rain



Plywood

Plywood made of mountain larch, three-layer (3 cm) or five-layer (4 cm). High dimensional stability, waterproof, glued according to DIN EN 13353:2011



Richter Hercules type rope

Richter Hercules type rope, a combination of galvanised six-strand steel cables and polyester yarn, diameter > 20 mm, laid and glued with very good abrasion resistance, strong sheathing even in the case of damage by puncturing



Aluminium rope pressing

Aluminium rope pressing, cylindrically pressed, with rounded ends



S-connectors

S-connectors $\varnothing 8.1$ mm, made of high-quality stainless steel, rounded



Profiled washer

Profiled washer for covering protruding screw heads according to standard, improved pressure distribution and protection against water. Impedes loosening the bolt



Ground anchor

All parts used for anchoring to the ground are made of hot-dip galvanised steel or stainless steel



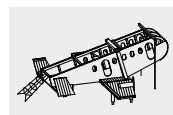
For more detailed explanation of the quality characteristics see price list.

Firemen's pole made of stainless steel, glass bead blasted
Spring support galvanised
Propeller on the decks: rotating disc made of precise black and white or coloured print with weather-resistant, special protective paint and antiglare surface
Window and door frames made of stainless steel

Dimensions

(small deviations possible)

Height	3.60 m
Length	10.00 m
Width	9.00 m
Weight	4000 kg



8.05000

Play value

Our Play Wall consists of several small house elements. With their different spaces and levels, they offer numerous opportunities for hiding away, climbing up, sliding down and going through openings. The cosiness of the little niches also provides children with enough space for imaginative role-play games. The modular Play Wall can be expanded to suit any needs and can be erected in a row or also at right angles. It is not just a unique play space but can also serve as sight and noise protection for playgrounds situated adjacent to roads.



Special version with special roof



Special version with special roof

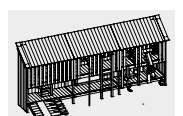
Fundamental characteristics

- Child-oriented dimensions according to ergonomic knowledge
- The space-defining design appeals to the senses
- High-quality design
- Numerous play offers
- Can be combined with other equipment
- Incentive for playing: sand hoists, sand wheel, chains, role-playing games
- Movement: climbing, crawling, crouching

Recommended for

- Kindergarten children
- School children
- Supervised play areas, such as kindergartens, schools, after-school programmes or similar
- Public play areas without supervision, such as playgrounds, parks or similar

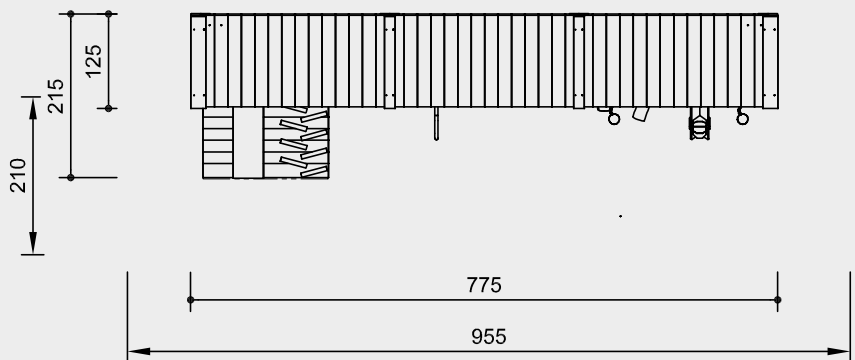
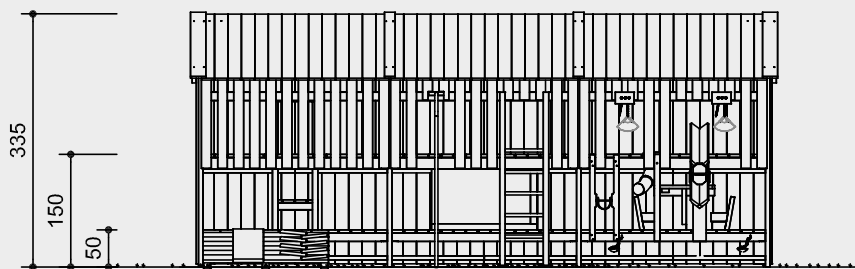
**Play Wall
Type 01**



8.50001

Order No. 8.50001
Play Wall Type 01

Safety distance →
Device dimensions ●—
Functional distance —|



Scale 1:100

Safety check according to DIN EN 1176

Components

- 3 Play wall modules with roof
- 1 Ramp with inclined stainless steel surface and foot holds as climbing aids
- 1 Internal platform as climbing aid
- 1 Ladder, height 1.50 m
- 2 Sand hoists
- 1 Sand chute
- 1 Top part of sand chute
- 1 Sand wheel
- 1 Bent sand pipe
- 2 Sand shovels with chain
- 1 Bent fireman's pole
- 1 Drawing board
- 2 Benches
- 1 Table
- 1 Sand see-saw

Installation information

Surfacing requirements corresponding to a fall height of ≤ 1.50 m (please refer to price list for more detailed information)
Sand is required for correct functioning.

Foundations

Play wall
4 items 195 x 100 x 20 cm
Excavation depth 60 cm

Ramp
2 items 30 x 30 x 30 cm
Excavation depth 50 cm

Firemen's pole
1 item 30 x 30 x 30 cm
Excavation depth 60 cm

Attention:
Exact measurements may vary;
for all installation dimensions refer
to current assembly instructions.
Technical changes reserved.

Technical information

Equipment made of non-impregnated mountain larch

Core-free

Sawn-timbers core-free, thus decreasing occurrences of cracking and undesired changes in shape



Tongue and groove

Tongue and groove planks made of 4 cm solid wood, highly resilient, no trickling of dust / sand, protection against direct rain



Hardwood rungs

Climbing rungs made of hardwood (ash) Ø 4.2 cm, milled and mortised, secured against twisting, easy to grip and not cold for children to touch



Ground anchor

All parts used for anchoring to the ground are made of hot-dip galvanised steel or stainless steel



Chains

Chains made of hot-dip galvanised steel (1.4301 / 1.4571 at extra charge) welded before galvanising, short-linked, without eyelets on the connecting parts, easy to exchange and shorten



For more detailed explanation of the quality characteristics see price list.

Assembly frames between the three modules and in the side walls made of hot-dip galvanised steel tubing 60 x 60 mm

Firemen's Pole made of stainless steel, glass bead blasted

Drawing board of HPL high-pressure laminated wood, thickness 10 mm, Matt surface; Colour gentian blue

Stainless steel incline

Sand pipes made of plastic, wall thickness approx. 7 mm

Sand container made of textile-reinforced rubber belt, 8 mm thick

Sand wheel hot-dip galvanised

Dimensions

(small deviations possible)

Height	3.35 m
Height pylons	0.50 / 1.50 m
Length	7.75 m
Width	2.00 m
Weight	on request



8.50001

Play value

Our Giant Elephant can be seen from a long way away. The large animal is an impressive example of play space design. Small and big children immediately recognise the elephant and want to explore the life within. A large play area with net is situated in the body, which invites them to hide away and engage in role-playing games. The tunnel slide in the trunk allows a quick getaway to the ground.



Special version with castle, Photo © Daniel Perales



Special version, Photo © Daniel Perales

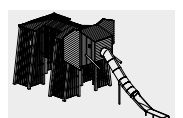
Giant Elephant with Tunnel Slide

Fundamental characteristics

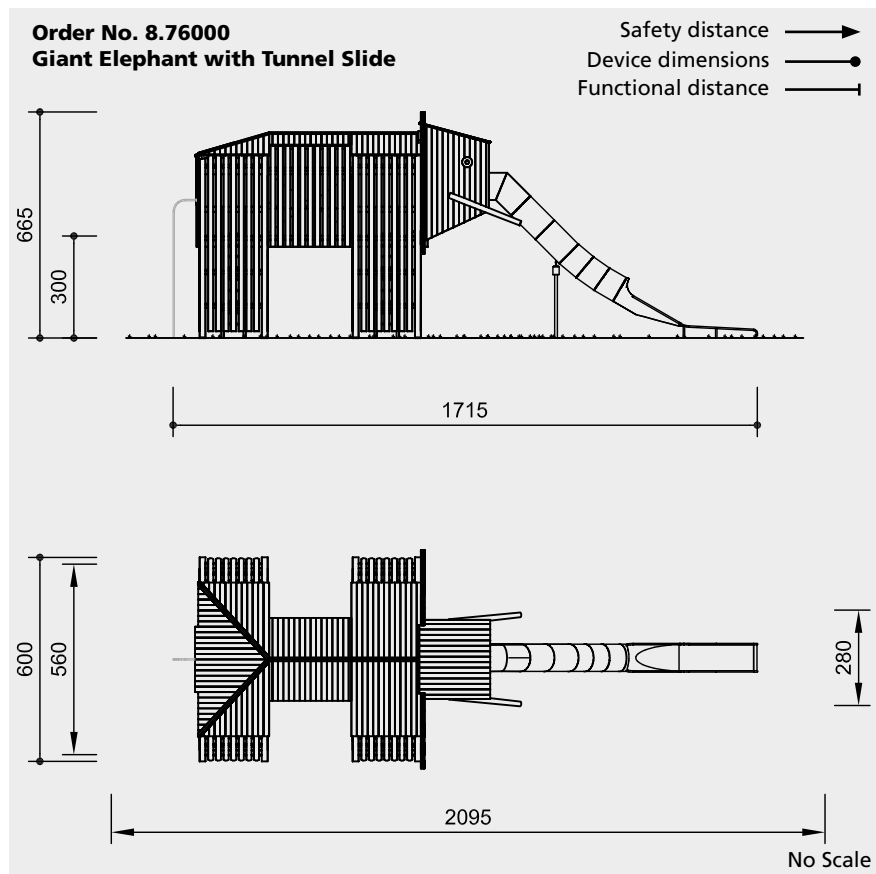
- Impressive design statement
- Very special appeal
- Eye-catcher of a play area
- Attractive meeting point
- Large play area underneath the platform
- Incentive for playing: curiosity, role-playing games, experiencing height, hiding
- Movement: climbing up and around, observing, sliding

Recommended for

- School children
- Young people
- Public play areas without supervision, such as playgrounds, parks or similar
- Leisure parks



8.76000



Safety check according to DIN EN 1176

Components

- 1 Giant elephant with 4 ladders
- 1 Tunnel slide
- 1 Horizontal inside net
- 1 Bent fireman's pole

Installation information

Surfacing requirements corresponding to a fall height of ≤ 3.00 m (please refer to price list for more detailed information)

Foundations

Giant Elephant
4 items 300 x 300 x 60 cm
Excavation depth 100 cm
(To be steel-reinforced on site)

Tunnel Slide
3 items 100 x 50 x 40 cm
Excavation depth 80 cm
1 item 80 x 80 x 40 cm
Excavation depth 80 cm

Firemen's Pole
1 item 40 x 40 x 30 cm
Excavation depth 70 cm

Attention:
Exact measurements may vary, for all installation dimensions refer to current installation instructions.
Technical changes reserved.

Technical information

Equipment made of non-impregnated mountain larch

Core-free
Sawn-timbers core-free, thus decreasing occurrences of cracking and undesired changes in shape



Claddings
Claddings made of mountain larch (4 – 5 cm). Peeled white by hand, natural tree surface remains tangible and perceptible



Tongue and groove
Tongue and groove planks made of 4 cm solid wood, highly resilient, no trickling of dust / sand, protection against direct rain



Hardwood rungs
Climbing rungs made of hardwood (ash) \varnothing 4.2 cm, milled and mortised, secured against twisting, easy to grip and not cold for children to touch



Richter Hercules type rope
Richter Hercules type rope, a combination of galvanised six-strand steel cables and polyester yarn, diameter > 20 mm, laid and glued with very good abrasion resistance, strong sheathing even in the case of damage by puncturing



Hercules rope
Hercules rope, for spliced net connections. A compound of steel rope for the core and polyester or polyamide yarn for the sheath. High abrasion resistance, 4 or 6 strands



Aluminium rope pressing
Aluminium rope pressing, cylindrically pressed, with rounded ends



S-connectors
S-connectors \varnothing 8.1 mm, made of high-quality stainless steel, rounded



Ground anchor
All parts used for anchoring to the ground are made of hot-dip galvanised steel or stainless steel



For more detailed explanation of the quality characteristics see price list.

Stand posts made of square timber 18/18 cm (not core-free)

High-quality carpentry joints

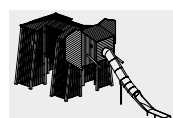
Fittings hot-dip galvanised

Firemen's pole made of stainless steel, glass bead blasted

Tunnel slide made of stainless steel, slide walls glass bead blasted

Dimensions
(small deviations possible)

Height	6.65 m
Length	17.15 m
Width	6.00 m
Weight	on request



8.76000

Play value

The Mountain Guard is a high tower with a friendly inclined head, which can also become with the help of various accessories a gentle king or a forest elf if required. He overlooks the area from a seven meter high vantage point. His small „head room“ allows visitors to look through his eyes and assures a safe descent through two exits. The Mountain Guard offers many different possibilities for climbing up and down and is therefore an interesting challenge for movement and skills. Due to its strong formal expressive character, the Mountain Guard defines the atmosphere of the location and is therefore particularly suited to identify a play area and to be its focal point.

Fundamental characteristics

- Harmonious, friendly design
- Strong formal expressive character
- Very special appeal
- Eye-catcher of a play area
- Incentive for playing: curiosity, friendly face, climbing offers
- Movement: climbing, observing

Recommended for

- School children
- Young people
- Supervised play areas, such as schools, after-school programmes or similar
- Public play areas without supervision, such as playgrounds, parks or similar
- Leisure parks



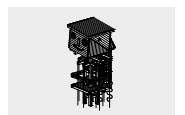
Special version with crane

Mountain Guard

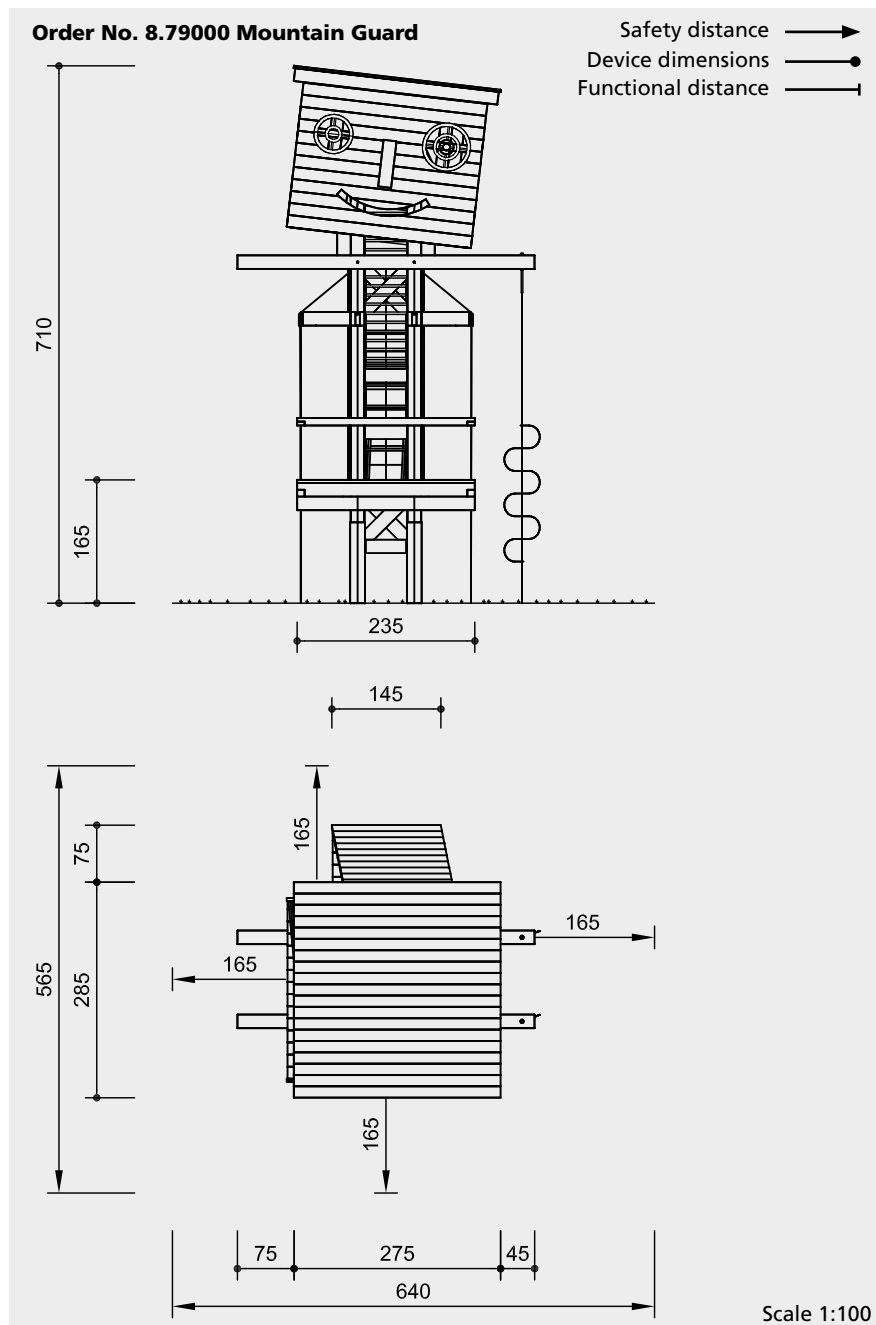


© Richter Spielgeräte GmbH 06/22

Design P. Hannes



8.79000



Safety check according to DIN EN 1176

Components

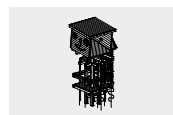
- 1 Complete equipment, consisting of:
 - 1 Head with pivoted telescope
 - 1 Chimney ascent
 - 1 Platform
 - 1 Vertical net tunnel
 - 2 Rope Climbing ladders

Installation information

Surfacing requirements corresponding to a fall height of ≤ 2.00 m (please refer to price list for more detailed information)

- Foundations**
- 1 item 300 x 300 x 20 cm
 - Excavation depth 115 cm
 - 1 item 270 x 270 x 50 cm
 - Not separate exavation required
 - 1 item 185 x 185 x 20 cm
 - Not separate exavation required
 - 2 pieces 30 x 30 x 30 cm
 - Excavation depth 50 cm
 - Constructive reinforcement on site

Attention:
 Exact measurements may vary, for all installation dimensions refer to current installation instructions.
 Technical changes reserved.



8.79000

Technical information

Equipment made of non-impregnated mountain larch

Core-free
 Sawn-timbers core-free, thus decreasing occurrences of cracking and undesired changes in shape



Tongue and groove
 Tongue and groove planks made of 4 cm solid wood, highly resilient, no trickling of dust / sand, protection against direct rain



Richter Hercules type rope
 Richter Hercules type rope, a combination of galvanised six-strand steel cables and polyester yarn, diameter > 20 mm, laid and glued with very good abrasion resistance, strong sheathing even in the case of damage by puncturing



Aluminium rope pressing
 Aluminium rope pressing, cylindrically pressed, with rounded ends



S-connectors
 S-connectors Ø 8.1 mm, made of high-quality stainless steel, rounded



Ground anchor
 All parts used for anchoring to the ground are made of hot-dip galvanised steel or stainless steel



Chains
 Chains made of hot-dip galvanized steel (1.4301 / 1.4571 at extra charge) welded before galvanising, short-linked, without eyelets on the connecting parts, easy to exchange and shorten



For more detailed explanation of the quality characteristics see price list.

Supporting construction made of square timber 18/18 cm, not core-free

Carpenter like connections

Fittings hot-dip galvanised

Ascent made of stainless steel, glass bead blasted, diameter of the rungs 30 mm

Moveable telescope made of plastic

Dimensions
 (small deviations possible)

Height	7.10 m
Length	3.95 m
Width	3.60 m
Weight	3000 kg



Play value

Even older children need a „den of their own“ where they can withdraw, undisturbed by parents or other children. The way of ascent into the gondolas is by means of a bosun’s ladder, which brings you within 1.50 m of the hatchway. For the remainder of the ascent you have to use a climbing rope. If you don’t want anyone else to follow you up into the gondola, you can pull the rope up inside after you. The Science Fiction Town is an eye-catcher for special play areas.

Fundamental characteristics

- Appealing design
- Eye-catcher
- Incentive for playing: curiosity, climbing ladders, green gondolas
- Movement: climbing

Recommended for

- School children
- Young people
- Public play areas without supervision, such as playgrounds, parks or similar
- Swimming pools without supervision, such as outdoor pools, adventure pools or similar
- Leisure parks

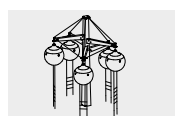


Photos © Daniel Perales

Science Fiction Town



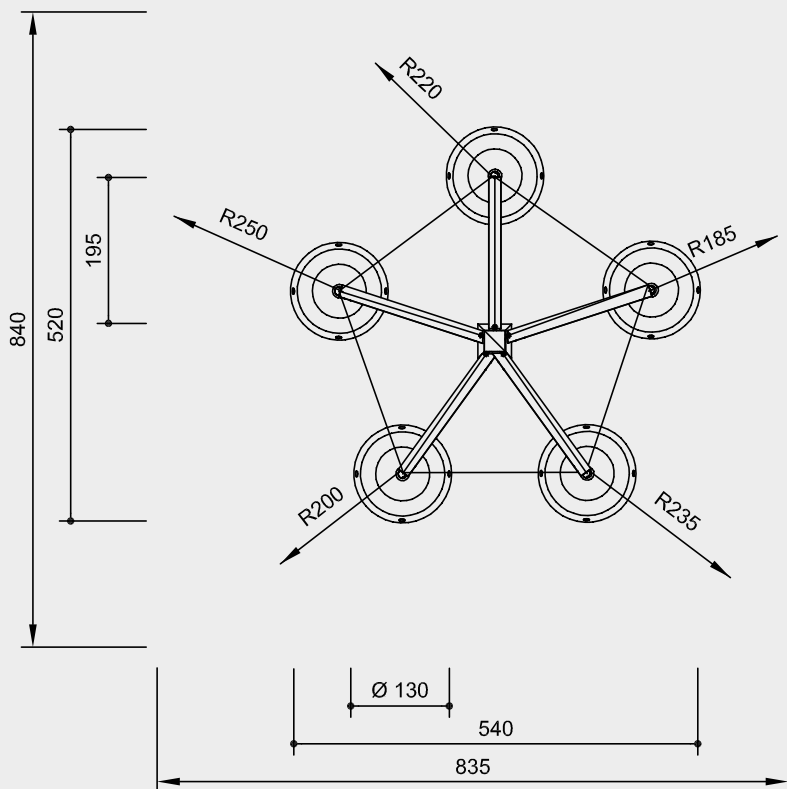
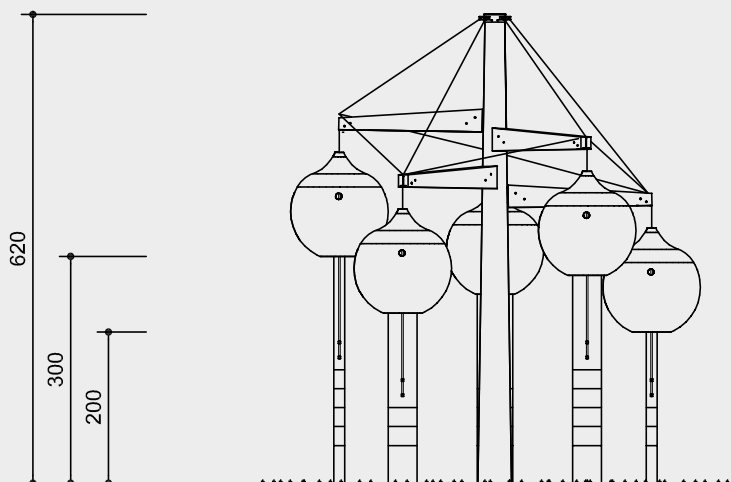
© Richter Spielgeräte GmbH 06/22



8.80500

Order No. 8.80500
Science Fiction Town

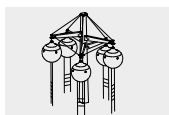
Safety distance 
 Device dimensions 
 Functional distance 



Scale 1:100

Safety check according to DIN EN 1176 and "safety in another way"

Attention:
Exact measurements may vary, for all installation dimensions refer to current installation instructions.
 Technical changes reserved.



8.80500

Technical information

Equipment made of non-impregnated mountain larch

Laminated wood beams

Laminated wood beams made of non-impregnated larch, glued according to EN 14080:2013; for very large timber cross-sections; comparatively low shrinkage, almost completely free of cracks



Richter Hercules type rope

Richter Hercules type rope, a combination of galvanised six-strand steel cables and polyester yarn, diameter > 20 mm, laid and glued with very good abrasion resistance, strong sheathing even in the case of damage by puncturing



Aluminium rope pressing

Aluminium rope pressing, cylindrically pressed, with rounded ends



S-connectors

S-connectors Ø 8.1 mm, made of high-quality stainless steel, rounded



Rotating rope connection

Rotatable fitting without dangerous openings, with sintered bush with integrated swivel to ensure the rope untwists



For more detailed explanation of the quality characteristics see price list.

All steel parts hot-dip galvanised

Gondolas made of GFK, self extinguishing, suspended on universal joints, standard colour: green, other colours on request

Bracings made of galvanised steel ropes, Ø 10 mm

Dimensions

(small deviations possible)

Height	6.20 m
Maximum width	5.40 m
Diameter of gondolas	1.30 m
Gondolas entrance height	2.00 - 3.00 m
Weight	1500 kg

Components

- 1 Middle mast with 5 arms and 5 gondolas complete with all unbendings, joints and ascents

Installation information

Surfacing requirements corresponding to a fall height of ≤ 3.00 m (please refer to price list for more detailed information)

- Foundations
 - 1 item 150 x 150 x 160 cm
 - Excavation depth 180 cm
 - 5 items 30 x 60 x 60 cm
 - Excavation depth 80 cm



Play value

The Topsy-Turvy Tree House arouses curiosity from afar. Attached to four Hercules type ropes, the wooden body widening toward the top appears to float above the ground. Inside there are two levels connected by a ladder, which invite children to explore and which promote role-playing games. To reach the lower entry platform of the tree house, access via a net tunnel, a bridge or a walkway is required.

Fundamental characteristics

- Unique and original
- Very appealing design
- Strong aesthetic appeal
- Combination elements: tunnels, bridges, walkways and slides
- Incentive for playing: experiencing height, role-playing games
- Movement: climbing

Recommended for

- School children
- Young People
- Public play areas without supervision, such as playgrounds, parks or similar
- Leisure parks



Coloured design against surcharge

Topsy-Turvy Tree House

Planning information

The overall plan must include an access, e.g. via a net tunnel or bridge.



© Richter Spielgeräte GmbH 06/22

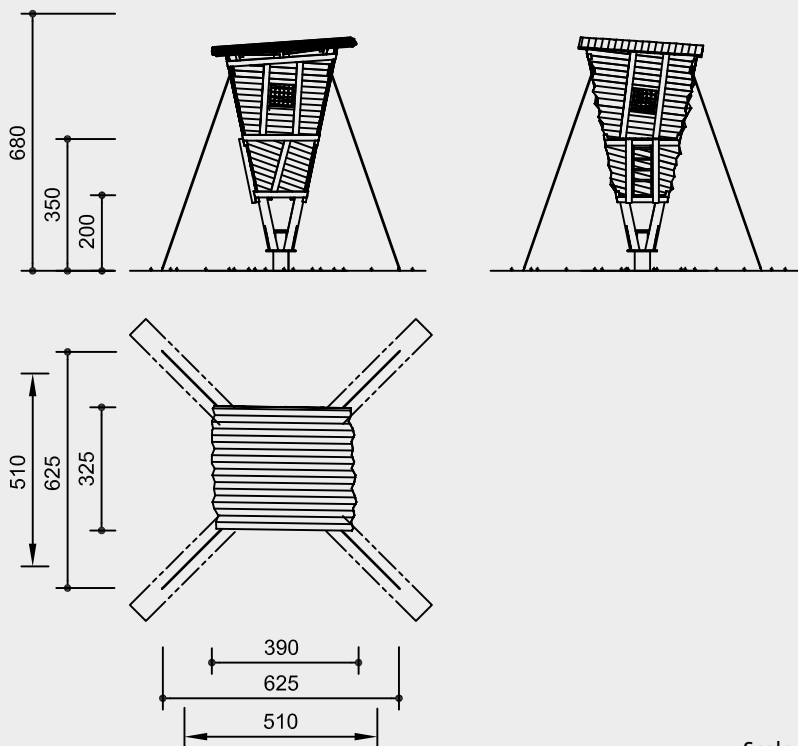
Design G. Beltzig



8.81000

Order No. 8.81000
Topsy-Turvy Tree House

Safety distance →
 Device dimensions ●
 Functional distance —



Safety check according to DIN EN 1176

Components

- 1 Topsy-Turvy Tree House complete with 3 rope windows, 2 floors and ascent with foundation foot
- 1 Bundle of roof sections

Installation information

Surfacing requirements corresponding to a fall height of ≤ 2.00 m (please refer to price list for more detailed information)

Foundations

1. Blinding layer:

- 4 items 460 x 70 x 20 cm
- 1 item 160 x 160 x 20

2. Foundation (phase 1 + 2):

- 4 items 460 x 60 x 40
- 1 item 150 x 150 x 60

Steel reinforcement according to the plan

Attention:
 Exact measurements may vary; for all installation dimensions refer to current assembly instructions.
 Technical changes reserved.

Technical information

Equipment of non-impregnated mountain larch

Peeled white

Palisades peeled white means that bark, cambium and sapwood are removed, the natural shape of the trunk is preserved and can be experienced



Core-free

Sawn-timbers core-free, thus decreasing occurrences of cracking and undesired changes in shape



Tongue and groove

Tongue and groove planks made of 4 cm solid wood, highly resilient, no trickling of dust / sand, protection against direct rain



Hardwood rungs

Climbing rungs made of hardwood (ash) Ø 4.2 cm, milled and mortised, secured against twisting, easy to grip and not cold for children to touch



Plywood

Plywood made of mountain larch, three-layer (3 cm) or five-layer (4 cm). High dimensional stability, waterproof, glued according to DIN EN 13353:2011



Richter Hercules type rope

Richter Hercules type rope, a combination of galvanised six-strand steel cables and polyester yarn, diameter > 20 mm, laid and glued with very good abrasion resistance, strong sheathing even in the case of damage by puncturing



Aluminium rope pressing

Aluminium rope pressing, cylindrically pressed, with rounded ends



Rope connection with joint

Close-fitting connection with joint, without dangerous openings, with sintered bush and adjustable screw connection



Profiled washer

Profiled washer for covering protruding screw heads according to standard, improved pressure distribution and protection against water. Impedes loosening the bolt



Adjustable

Adjustable two-piece bolt connection, easy to maintain, no projecting threads



Ground anchor

All parts used for anchoring to the ground are made of hot-dip galvanised steel or stainless steel



For more detailed explanation of the quality characteristics see price list.

Completely assembled construction

Dimensions

(small deviations possible)

Height	6.80 m
Floor Heights	2.00 / 3.50 m
Footprint	6.25 x 6.25 m
Weight	4000 kg



8.81000

Play value

Despite its commanding size, the Ornithopter nevertheless looks light and „fit to fly“. This play installation, which is weird in the best sense, creates a very special atmosphere and evokes numerous connotations. The bird can be seen from a far and makes the place where it is installed unmistakable. Children are fascinated by this exceptional play offer. The bird starts moving as soon as a „passenger“ gets on.



© Richter Spielgeräte GmbH 06/22



Special version, Photo © Daniel Perales

Fundamental characteristics

- Unique and original
- The body of the bird is swinging
- The soft movement is determined by the dimensions of the parts of the body (long pendulums)
- Incentive for playing: bird shape, role-playing games
- Movement: swinging, physical effort, climbing

Recommended for

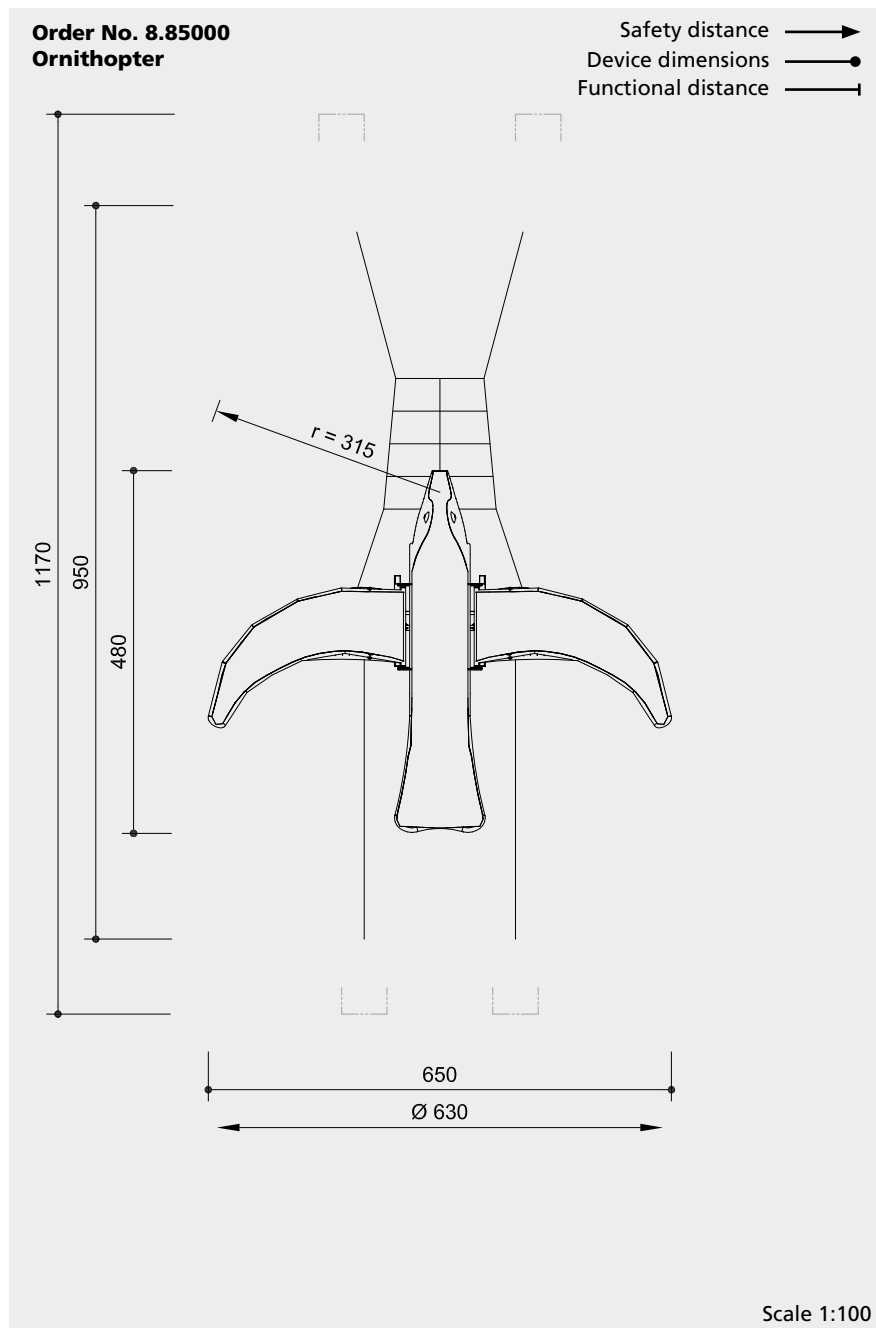
- School children
- Young people
- Public play areas without supervision, such as playgrounds, parks or similar
- Leisure parks

Ornithopter

Design G. Beltzig



8.85000



Safety check according to DIN EN 1176

Components

- 1 Complete unit with guy ropes and climbing net
- 1 Supporting frame for setting into concrete

Installation information

Surfacing requirements corresponding to a fall height of ≤ 2.00 m (please refer to price list for more detailed information)

Foundations
1 item 180 x 180 x 80 cm
Excavation depth 120 cm
(To be steel-reinforced on site)
4 items 60 x 70 x 40 cm
Excavation depth 80 cm

Attention:
Exact measurements may vary, for all installation dimensions refer to current installation instructions.
Technical changes reserved.

Technical information

Equipment made of stainless steel, glass bead blasted

Richter Hercules type rope

Richter Hercules type rope, a combination of galvanised six-strand steel cables and polyester yarn, diameter > 20 mm, laid and glued with very good abrasion resistance, strong sheathing even in the case of damage by puncturing



Aluminium rope pressing

Aluminium rope pressing, cylindrically pressed, with rounded ends



S-connectors

S-connectors $\text{Ø} 8.1$ mm, made of high-quality stainless steel, rounded



Rotating rope connection

Rotatable fitting without dangerous openings, with sintered bush with integrated swivel to ensure the rope untwists



Sintered bush

For all reciprocating movements we use sintered plain bearings which are self-lubricating in use and can easily be exchanged if necessary



Ground anchor

All parts used for anchoring to the ground are made of hot-dip galvanised steel or stainless steel



Roller bearings

Roller bearings made of stainless steel for rotating elements, easy to maintain and exchange, sealed



For more detailed explanation of the quality characteristics see price list.

Safety ropes with shock absorbers

Dimensions

(small deviations possible)

Max. height	4.00 m
Sitting height	2.00 m
Length	9.50 m
Width	6.50 m
Weight	860 kg



8.85000



Play value

Our Elephant with Trunk Slide can be seen from a long way away. The large animal is an impressive example of play space design. Small and big children immediately recognise the elephant and want to explore the life within. A large play area is situated in the body, which invites them to hide away and engage in role-playing games. The slide in the trunk allows a quick getaway to the ground.

Fundamental characteristics

- Impressive design statement
- Very special appeal
- Eye-catcher of a play area
- Attractive meeting point
- Large play area underneath the platform
- Incentive for playing: curiosity, role-playing games, experiencing height, hiding
- Movement: climbing up and around, observing, sliding

Recommended for

- School children
- Young people
- Public play areas without supervision, such as playgrounds, parks or similar
- Leisure parks

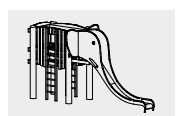


Elephant with Trunk Slide



© Richter Spielgeräte GmbH 06/22

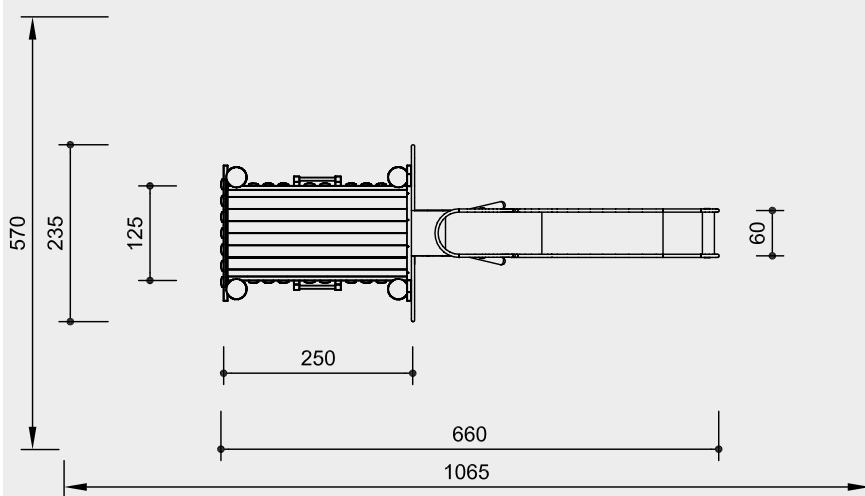
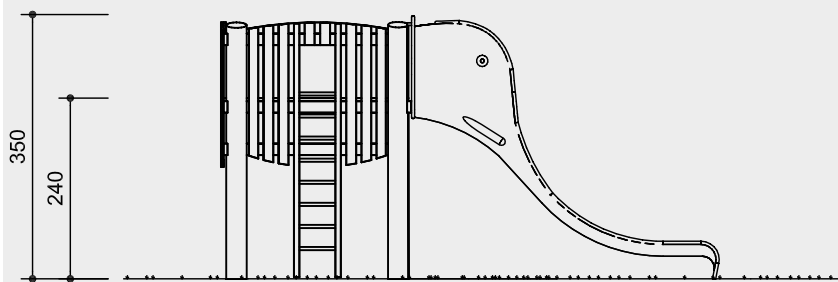
Design G. Beltzig



8.99210

Order No. 8.99210
Elephant with Trunk Slide

Safety distance →
 Device dimensions ●
 Functional distance —



Scale 1:100

Safety check according to DIN EN 1176

Components

- 1 Platform with 2 ladders and 4 steel feet
- 1 Trunk slide

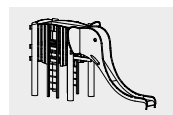
Installation information

Surfacing requirements corresponding to a fall height of ≤ 3.00 m (please refer to price list for more detailed information)

Foundations

- Elephant**
- 4 items 80 x 80 x 60 cm
- Excavation depth 80 cm
- Trunk Slide**
- 1 item 90 x 30 x 30 cm
- Excavation depth 70 cm

Attention:
Exact measurements may vary;
for all installation dimensions refer to current assembly instructions.
 Technical changes reserved.



8.99210

Technical information

Equipment made of non-impregnated mountain larch

Peeled white

Palisades peeled white means that bark, cambium and sapwood are removed, the natural shape of the trunk is preserved and can be experienced



Bevel cut

Vertical stand posts with bevelled end grain section as constructive wood preservation measure



Core-free

Sawn-timbers core-free, thus decreasing occurrences of cracking and undesired changes in shape



Claddings

Claddings made of mountain larch (4 – 5 cm). Peeled white by hand, natural tree surface remains tangible and perceptible



Tongue and groove

Tongue and groove planks made of 4 cm solid wood, highly resilient, no trickling of dust / sand, protection against direct rain



Hardwood rungs

Climbing rungs made of hardwood (ash) Ø 4.2 cm, milled and mortised, secured against twisting, easy to grip and not cold for children to touch



Ground anchor

All parts used for anchoring to the ground are made of hot-dip galvanised steel or stainless steel



For more detailed explanation of the quality characteristics see price list.

Trunk slide made of stainless steel, side of the slide glass bead blasted

Dimensions

(small deviations possible)

Height	3.50 m
Height of platform	2.40 m
Floor size	2.50 x 1.25 m
Length	6.60 m
Width	2.35 m

Play value

The installation „Street Musicians“ is of a high artistic effect and gives a special accent to public places and play areas. The triangular figures are made of stainless steel, have a coloured small head and can be turned around their middle axis. As „hands-on“ sculpture this movement produces a gong-like, deep sound. When several „Musicians“ are installed next to each other, new spaces can be created again and again and interesting views are produced. The rotating bodies make different sounds so that an unusual harmony is created when several are „played“ together.



© Richter Spielgeräte GmbH 06/22

Design B. Poth-Lengefeld

Fundamental characteristics

- Unique and original
- Exclusive design
- Due to the triangular shape, players of every age can „embrace“ the musicians
- Incentive for playing: shape, coloured head, curiosity
- Movement: holding on, make it spin

Recommended for

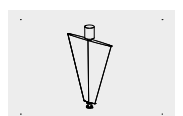
- School children
- Young people
- Adults
- Older people
- Public play areas without supervision, such as playgrounds, parks or similar

Barrier-free

- Independent play


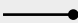
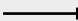
Acoustic effect	medium
Vandalism	not vulnerable

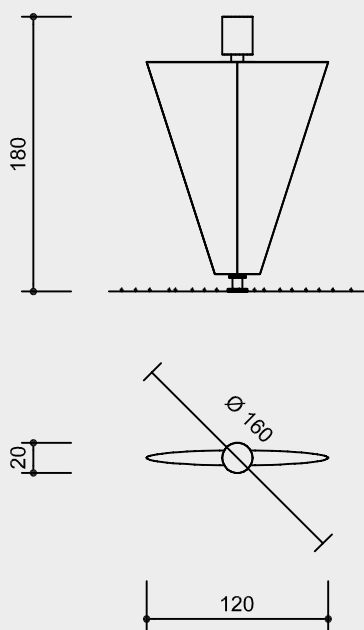
Street Musicians



9.10010

Order No. 9.10010
Street Musicians

Safety distance 
Device dimensions 
Functional distance 



Scale 1:50

Safety check according to DIN EN 1176

Components

- 1 Street Musician with coloured head for dowelling and 4 heavy duty anchors

Installation information

Surfacing requirements
no requirements

Foundations
1 item 60 x 60 x 50 cm
Excavation depth 70 cm

Attention:
Exact measurements may vary;
for all installation dimensions refer
to current assembly instructions.
Technical changes reserved.

Technical information

Equipment made of stainless steel,
glass bead blasted, rotating bearings

Sintered bush

For all reciprocating movements we use sintered plain bearings which are self-lubricating in use and can easily be exchanged if necessary



Ground anchor

All parts used for anchoring to the ground are made of hot-dip galvanised steel or stainless steel



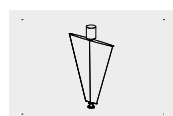
For more detailed explanation of the quality characteristics see price list.

Sound elements of groups are tuned and painted in different colours

Dimensions

(small deviations possible)

Height	1.80 m
Width	1.20 m
Depth	0.20 m
Weight	100 kg



9.10010

Playful competition

P. 553 - 568

Play value

The Rope Bar and Whisk can be attached to existing support posts and thus create an additional play range. In this example, both elements are installed in combination with our Vertical Climbing Net. The Bar is one of the classic exercise equipment items and is well-received by children, while the Whisk promotes completely new movements and is especially fun for two.



Order No. 6.45100 Rope Bar



Order No. L6.46000 Combination of Whisk, Rope Bar and Vertical Climbing Net. Rope Bar technical changed.

Fundamental characteristics

- Movement: climbing, doing exercises, turning, shifting one's body weight

Recommended for

- School children
- Supervised play areas, such as kindergartens, schools, after-school programmes or similar
- Public play areas without supervision, such as playgrounds, parks or similar

Components

Order No. 6.27600 / 6.27610

- 1 Turning whisk made of stainless steel for attachment to existing equipment

Order No. 6.45100

- 1 Rope Bar made of stainless steel complete with tensioning ropes, pressed for attachment to existing equipment

Support posts for attachment available on request

Order No. L6.46000

- 1 Whisk
- 1 Rope Bar
- 1 Vertical Climbing Net, Stand posts with steel feet

**Whisk
Rope Bar
Combination of Whisk, Rope Bar
and Vertical Climbing Net**



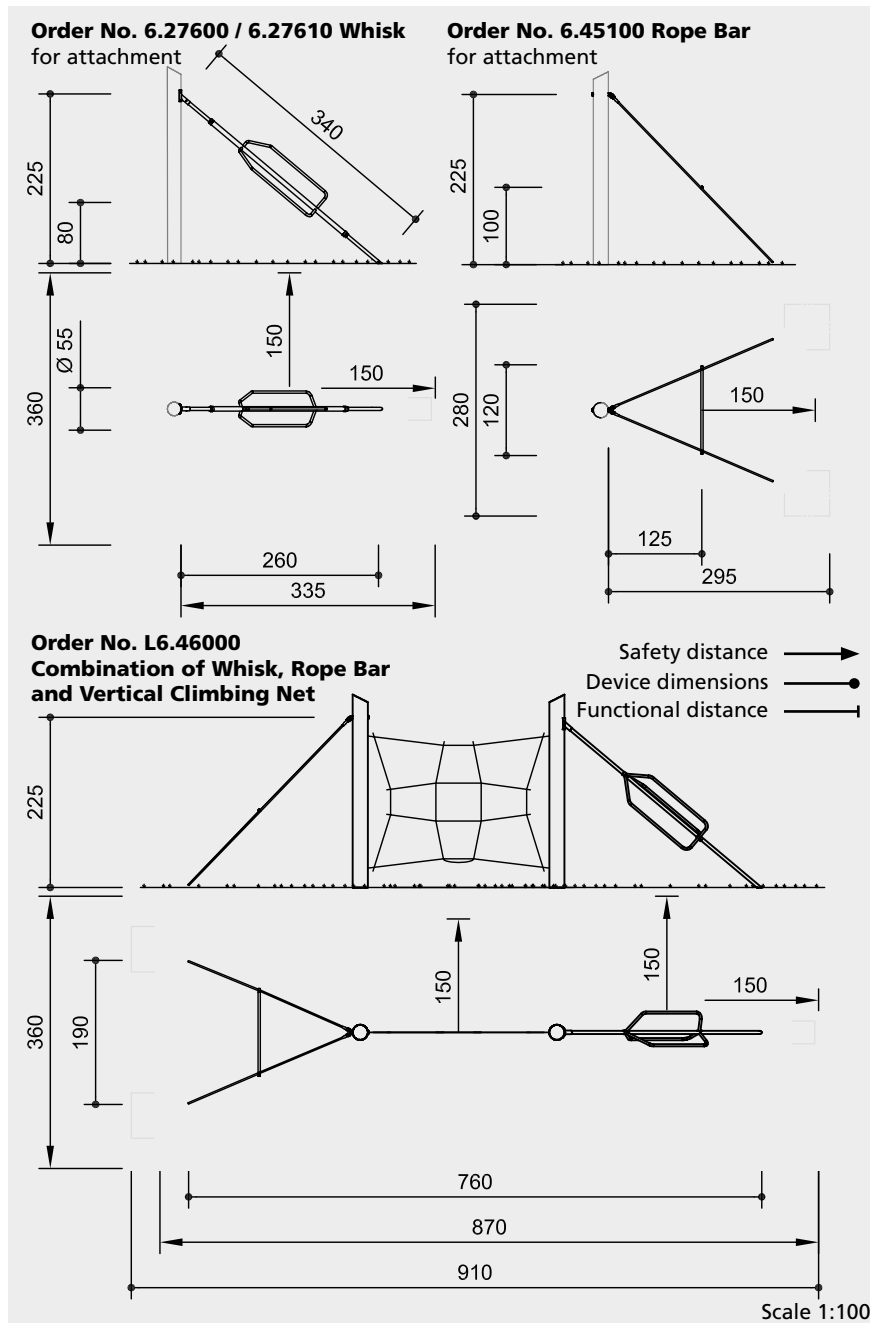
6.27600 / 6.27610



6.45100



L6.46000



Safety check according to DIN EN 1176

Dimensions

(small deviations possible)

Order No. 6.27600 / 6.27610 Whisk

Attachment height	2.25 m
Length	3.40 m
Weight	40 kg

Order No. 6.45100 Rope Bar

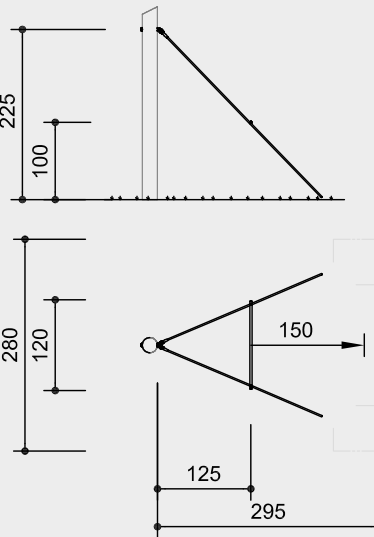
Attachment height	2.25 m
Rope Bar	1.00 m
Height	1.20 m
Length	1.20 m
Weight	17 kg

Order No. L6.46000

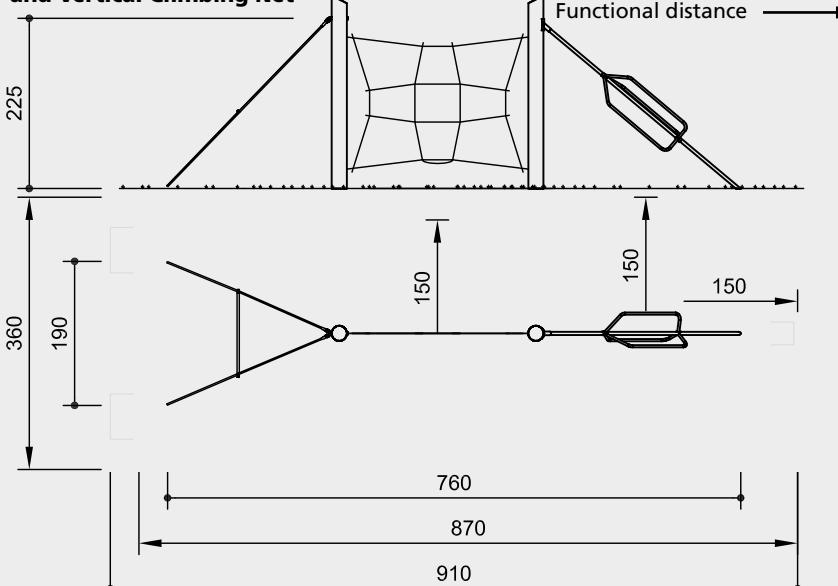
Combination of Whisk, Rope Bar and Vertical Climbing Net

Height	2.25 m
Length	7.60 m
Width	1.90 m
Weight	190 kg

Order No. 6.45100 Rope Bar for attachment



Order No. L6.46000 Combination of Whisk, Rope Bar and Vertical Climbing Net



Safety distance →
Device dimensions —●—
Functional distance —|—

Scale 1:100

Installation information

Surfacing requirements corresponding to a fall height of
Order No. 6.27600 / 6.27610 / 6.45100
≤ 1.00 m
Order No. L6.46000
≤ 1.50 m
(please refer to price list for more detailed information)

Foundations

Order No. 6.27600	1 item 30 x 80 x 40 cm, Excavation 60 cm
Order No. 6.45100	2 items 60 x 60 x 40 cm, Excavation 80 cm
Order No. L6.46000	2 items 60 x 60 x 60 cm, Excavation 80 cm
	2 items 60 x 60 x 40 cm, Excavation 80 cm
	1 item 30 x 80 x 40 cm, Excavation 60 cm

Technical information

Order No. 6.27600 Whisk
for attachment to round timber
Order No. 6.27610 Whisk
for attachment to square timber

Equipment made of stainless steel,
glass bead blasted, Ø 42 or 30 mm

Sintered bush

For all reciprocating movements we use sintered plain bearings which are self-lubricating in use and can easily be exchanged if necessary



Ground anchor

All parts used for anchoring to the ground are made of hot-dip galvanised steel or stainless steel



Fixings on top depending on the element for attachment

Order No. 6.45100 Rope Bar

Rope Bar made of stainless steel,
Ø 30 mm, glass bead blasted

Richter Hercules type rope

Richter Hercules type rope, a combination of galvanised six-strand steel cables and polyester yarn, diameter > 20 mm, laid and glued with very good abrasion resistance, strong sheathing even in the case of damage by puncturing



Ground anchor

All parts used for anchoring to the ground are made of hot-dip galvanised steel or stainless steel



Order No. L6.46000 Combination of Whisk, Rope Bar and Vertical Climbing Net

As above, but additionally

Peeled white

Palisades peeled white means that bark, cambium and sapwood are removed, the natural shape of the trunk is preserved and can be experienced



Bevel cut

Vertical stand posts with bevelled end grain section as constructive wood preservation measure



Richter Hercules type rope

Richter Hercules type rope, a combination of galvanised six-strand steel cables and polyester yarn, diameter > 20 mm, laid and glued with very good abrasion resistance, strong sheathing even in the case of damage by puncturing



Ground anchor

All parts used for anchoring to the ground are made of hot-dip galvanised steel or stainless steel



For more detailed explanation of the quality characteristics see price list.

Attention:

Exact measurements may vary, for all installation dimensions refer to current installation instructions.

Technical changes reserved.



6.27600 / 6.27610



6.45100



L6.46000



Order No. L6.96000, special version



Order No. L6.98000 Goal

Play value

Children like to practice their skills. Therefore, a playground should also provide equipment that is suitable for a range of exercises. The children's degree of success determines, amongst other things, how they see themselves within the group. The horizontal bars are especially suited to allow these sorts of activities, e.g. forward rolls for self-evaluation.

The Ball Wall allows children to test their ball skills just like the big stars. The Ball Wall encourages playful and exciting competitions.

Fundamental characteristics

- Incentive for playing: repeating familiar activities
- Movement: balancing, whole body activities, races, ball skills, gymnastic-like exercises

Recommended for

- Kindergarten children
- School children
- Young People
- Supervised play areas, such as kindergartens, schools, after-school programmes or similar
- Public play areas without supervision, such as playgrounds parks or similar



Order No. L6.96000 Horizontal Bars in different heights, special version made of square timber

**Horizontal Bars in different heights
Goal
Ball Wall**

Components

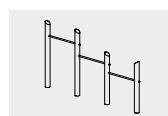
- Order No. L6.96000
Horizontal Bars in different heights**
- 4 Stand posts with steel feet
 - 3 Horizontal bars, length 1.20 m

- Order No. L6.98000
Goal**
- 2 Stand posts with steel feet
 - 1 Cross beam

- Order No. L6.99000
Ball Wall**
- 1 Complete piece of equipment with steel feet



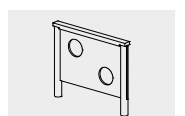
Order No. L6.99000 Ball Wall, technical changed



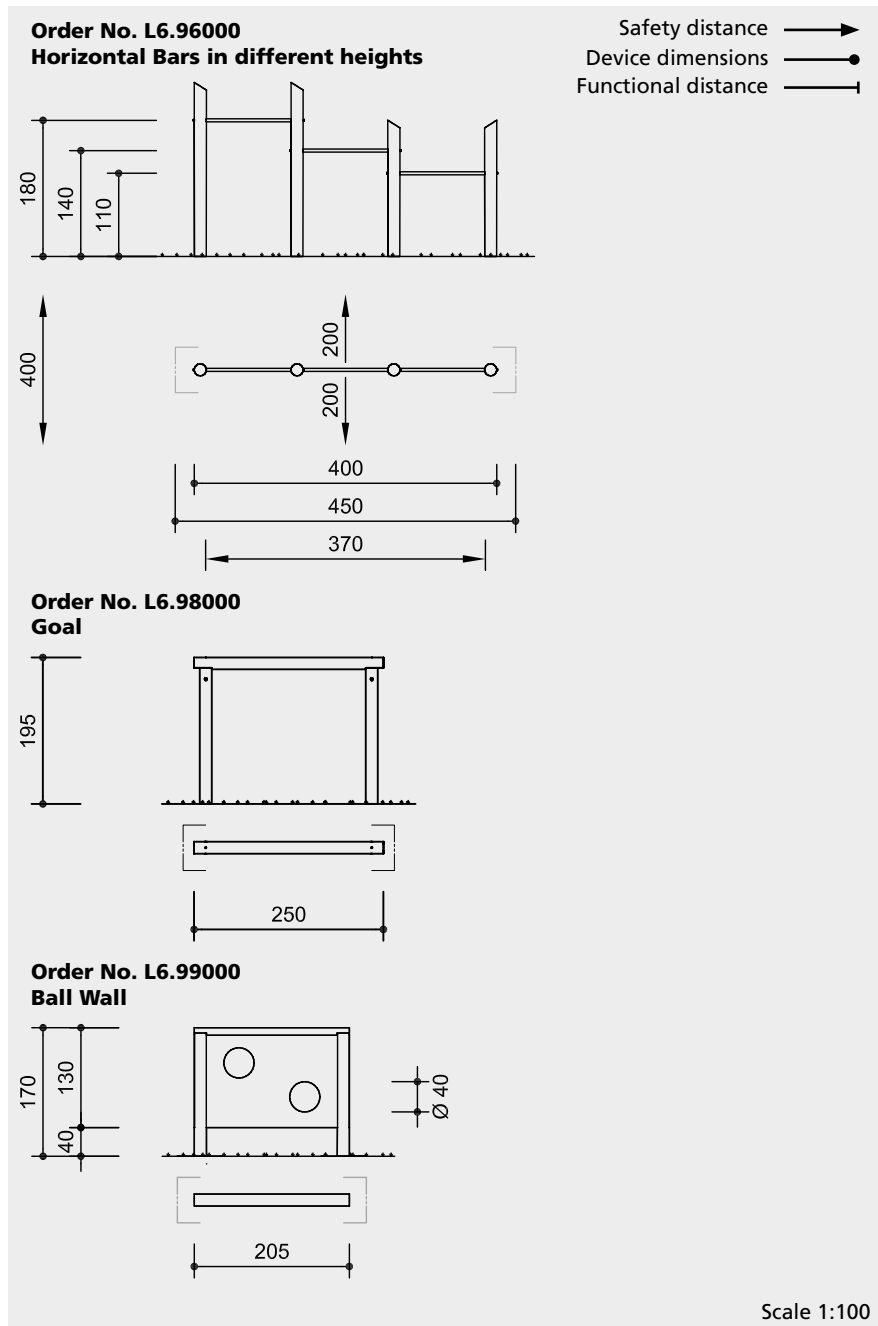
L6.96000



L6.98000



L6.99000



Safety check according to DIN EN 1176

Dimensions

(small deviations possible)

Order No. L6.96000

Horizontal Bars in different heights

Heights of bars 1.10 / 1.40 / 1.80 m
Width 4.00 m
Weight 200 kg

Order No. L6.98000

Goal

Height 1.95 m
Width 2.50 m
Weight 100 kg

Order No. L6.99000

Ball Wall

Height 1.70 m
Width 2.05 m
Weight 150 kg

Installation information

Surfacing requirements corresponding to a fall height of **Order No. L6.96000** ≤ 2.00 m (please refer to price list for more detailed information)

Foundations

Order No. L6.96000
4 items 60 x 60 x 60 cm
Excavation depth 80 cm
Order No. L6.98000
2 items 60 x 60 x 60 cm
Excavation depth 80 cm
Order No. L6.99000
2 items 60 x 60 x 60 cm
Excavation depth 80 cm

Technical information

Equipment made of mountain larch

Peeled white

Palisades peeled white means that bark, cambium and sapwood are removed, the natural shape of the trunk is preserved and can be experienced



Ground anchor

All parts used for anchoring to the ground are made of hot-dip galvanised steel or stainless steel



Order No. L6.96000

Horizontal Bars in different heights

As above, but in addition with

Bevel cut

Vertical stand posts with bevelled end grain section as constructive wood preservation measure



Profiled washer

Profiled washer for covering protruding screw heads according to standard, improved pressure distribution and protection against water. Impedes loosening the bolt



Horizontal bars made of stainless steel, glass-bead blasted, Ø 30 mm

Order No. L6.98000

Goal

As above, but in addition with

End grain connector

End grain connector as special fitting for the adjustable connection of horizontal and vertical timber



Profiled washer

Profiled washer for covering protruding screw heads according to standard, improved pressure distribution and protection against water. Impedes loosening the bolt



Order No. L6.99000

Ball Wall

As above, but in addition with

Core-free

Sawn-timbers core-free, thus decreasing occurrences of cracking and undesired changes in shape



Plywood

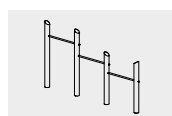
Plywood made of mountain larch, three-layer (3 cm) or five-layer (4 cm). High dimensional stability, waterproof, glued according to DIN EN 13353:2011



For more detailed explanation of the quality characteristics see price list.

Attention:

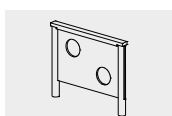
Exact measurements may vary; for all installation dimensions refer to current assembly instructions.
Technical changes reserved.



L6.96000



L6.98000



L6.99000

Play value

Table Tennis in parks or on playgrounds is often a meeting point for bigger children and adolescents and for this reason should be combined with seating for spectators. Table tennis provides an opportunity for friendly competition, a stimulus for activity ranging from play to sporting conflict.



© Richter Spielgeräte GmbH 06/22

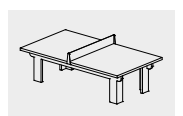
Table Tennis Table

Fundamental characteristics

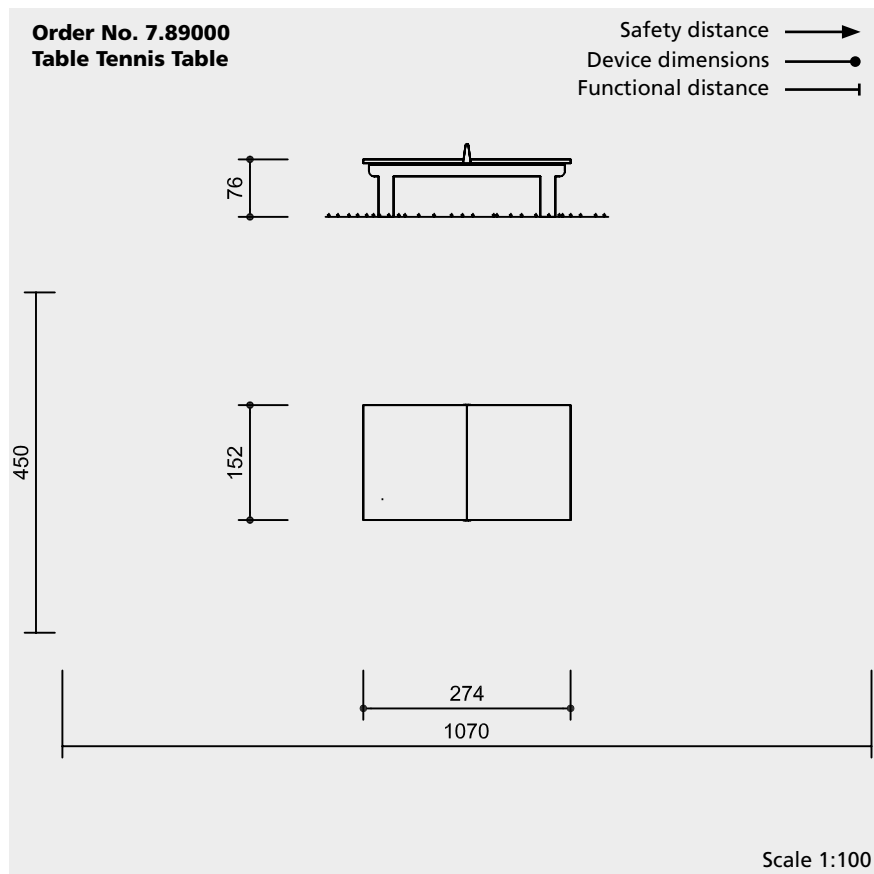
- Incentive for playing: known activities
- Movement: physical effort

Recommended for

- School children
- Young people
- Supervised play areas, such as kindergartens, schools, after-school programmes or similar
- Public play areas without supervision, such as playgrounds, parks or similar
- Swimming pools without supervision, such as outdoor pools, adventure pools or similar
- Leisure parks



7.89000



Safety check according to DIN EN 1176

Components

- 1 Standing frame with ground anchor
- 2 Part table top of acrylic composite
- 1 Aluminium net

Installation information

Surfacing requirements
No requirements

Foundations
No foundations required, but the play surface should be reinforced

Attention:
Exact measurements may vary;
for all installation dimensions refer
to current assembly instructions.
Technical changes reserved.

Technical information

Two-part plate made of polymer concrete, 30 mm

Surface absolutely weatherproof, smooth, does not reflect sunlight, enables precise, fast and quiet play

Edges made of shatter-proof hardened PVC, 45 mm

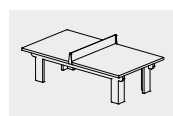
Substructure made of polymer concrete

Net and fixings made of 4 / 8 mm aluminium

Dimensions

(small deviations possible)

Height	0.76 m
Length	2.74 m
Width	1.52 m
Weight	415 kg



7.89000

Play value

Our „Catch me if you can“ games are suitable for two to four people of all age groups. All games can also be set up outdoors. The players bring their own chess pieces. The „Nine Men's Morris“ pieces differ by their colour, the pieces of the "Catch me if you can" game by their different feel – the surfaces are grooved or smooth. The pieces can be easily moved through the lanes, but cannot be removed.



Order No. 9.11010 Catch me if you can – Table



Order No. 9.12000 Chess Game



Order No. 9.14000 Nine Men's Morris Game

Fundamental characteristics

- Attractive design
- Incentive for playing: known activities

Recommended for

- Kindergarten children
- School children
- Young people
- Adults
- Older people
- Public play areas without supervision, such as playgrounds, parks or similar

Barrier-free

- Independent play

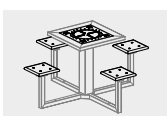
Catch me if you can – Game
Catch me if you can – Table

Chess Game

Chess Table

Nine Men's Morris Game

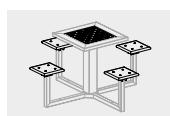
Morris Table



9.11000



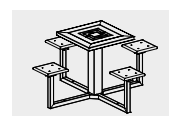
9.11010



9.12000



9.12010


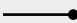
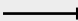


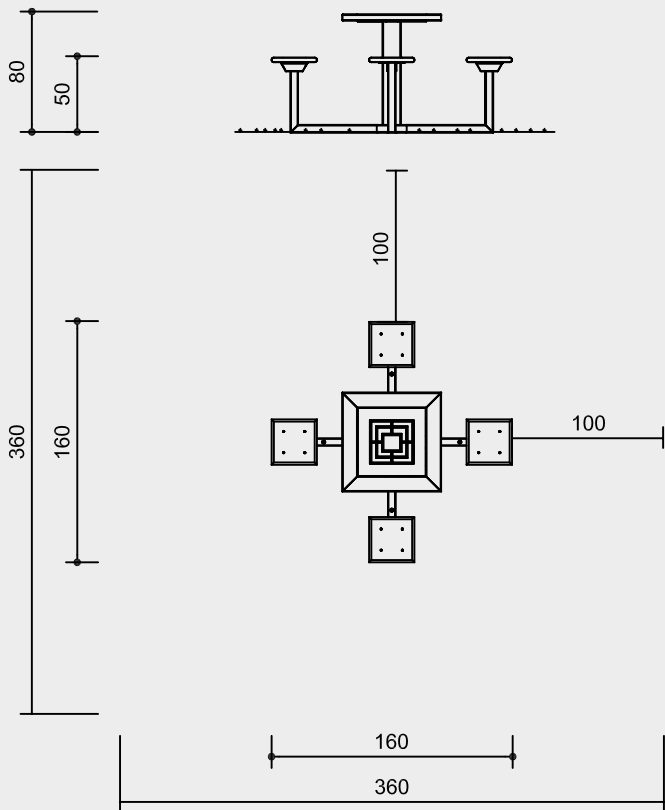
9.14000



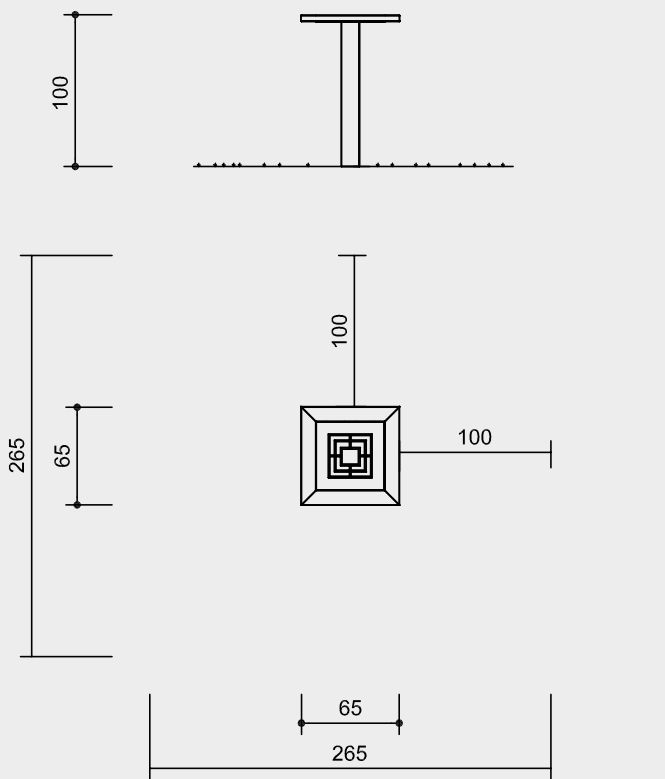
9.14010

Order No. 9.11000 Catch me if you can – Game
Order No. 9.12000 Chess Game
Order No. 9.14000 Nine Men's Morris Game

Safety distance 
 Device dimensions 
 Functional distance 



Order No. 9.11010 Catch me if you can – Table
Order No. 9.12010 Chess Table
Order No. 9.14010 Morris Table



Scale 1:50

Safety check according to DIN EN 1176

Technical information

Equipment made of stainless steel, glass-bead blasted

Ground anchor

All parts used for anchoring to the ground are made of hot-dip galvanised steel or stainless steel



For more detailed explanation of the quality characteristics see price list.

Seating surfaces made of polyoxymethylene (POM-C), standard colour black

Order No. 9.11000 / 9.11010

Order No. 9.14000 / 9.14010

Playing surface made of POM

Playing pieces made of stainless steel / POM

Order No. 9.12000 / 9.12010

Playing surface made of marble

Playing pieces not included in delivery

Dimensions

(small deviations possible)

Order No. 9.11000 / 9.12000 / 9.14000

Height of table 0.80 m

Overall width 1.60 m

Overall length 1.60 m

Width of table 0.65 m

Length of table 0.65 m

Seat height 0.50 m

Weight 60 kg

Order No. 9.11010 / 9.12010 / 9.14010

Height 1.00 m

Width 0.65 m

Length 0.65 m

Weight 31 kg

Components

Order No. 9.11000 / 9.14000

1 Table with non-removable pieces and 4 seats

Order No. 9.12000

1 Table and 4 seats (playing pieces not included in delivery)

Order No. 9.11010 / 9.14010

1 Table with non-removable playing pieces

Order No. 9.12010

1 Table (pieces not included in delivery)

Installation information

No Surfacing requirements

Foundations

Order No. 9.11000 / 9.12000 / 9.14000

without foundation, fixation with bolts

Order No. 9.11010 / 9.12010 / 9.14010

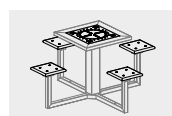
1 item 50 x 50 x 40 cm

Excavation depth 60 cm, fixation with bolts

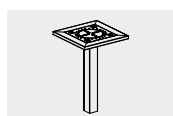
Attention:

Exact measurements may vary; for all installation dimensions refer to current assembly instructions.

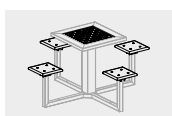
Technical changes reserved.



9.11000



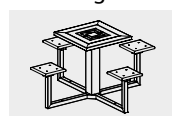
9.11010



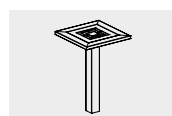
9.12000



9.12010



9.14000



9.14010



Play Value

„Four in a row“ promotes logical thinking and strategic acting. It is played on a vertical, hollow playing field where the players can take turns to move their playing tokens but cannot remove them. The playing field consists of seven vertical columns and six horizontal rows. Each player has 21 playing tokens of the same colour. The player drops a playing token into a column, where it occupies the lowest available free space in the column. The player who first manages to line up at least four of their tokens horizontally, vertically or diagonally is the winner. If the playing field is completely filled in without either of the players managing to create a row of four, the game is called a draw.

Fundamental characteristics

- Attractive design
- Incentive for playing: known activities

Recommended for

- Kindergarten children
- School children
- Young people
- Adults
- Older people
- Supervised play areas, such as kindergartens, schools, after- school programmes or similar
- Public play areas without supervision, such as playgrounds, parks or similar

Barrier-free


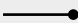
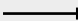
- Independent play

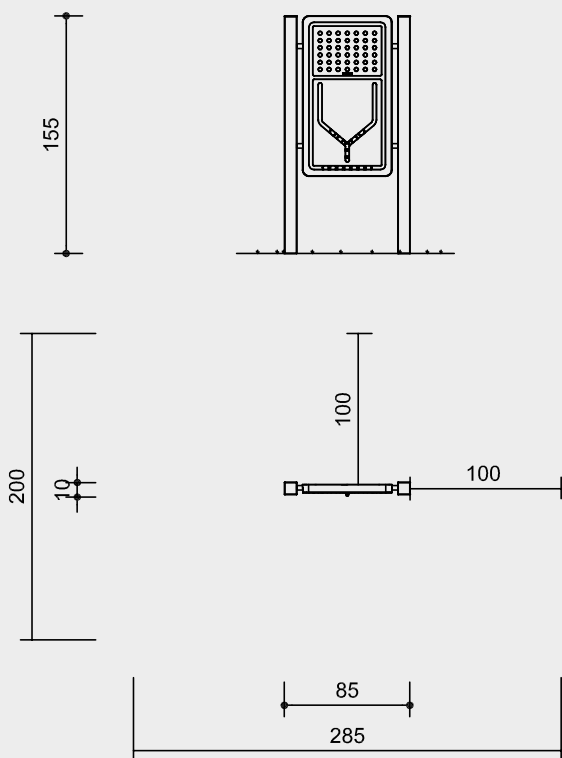
Four in a row



9.15000

Order No. 9.15000
Four in a row

Safety distance 
 Device dimensions 
 Functional distance 



Scale 1:50

Safety check according to DIN EN 1176

Components

- 1 Outer frame with playing field and magazine with 21 playing tokens of each colour

Utility Model

20 2012 012 518.4 Germany

Registered Design

40 2020 202 223.7 Germany

Installation information

Surfacing requirements
 no requirements

Foundations
 2 items 50 x 50 x 40 cm
 Excavation depth 60 cm

Attention:

Exact measurements may vary, for all installation dimensions refer to current assembly instructions.

Technical changes reserved.

Technical information

Equipment made of matt, glass-bead blasted stainless steel (V2A)

Ground anchor

All parts used for anchoring to the ground are made of hot-dip galvanised steel or stainless steel



For more detailed explanation of the quality characteristics see price list.

Playing field made of black coloured-through castor oil-based PUR plastic

Red and blue playing tokens

Dimensions

(small deviations possible)

Height	1.55 m
Width	0.85 m
Depth	0.10 m
Playfield	1.00 x 0.60 m
Stand posts	80 x 80 mm
Weight	80 kg



9.15000



Play value

The rules of the Ball Labyrinth are simple. The round handles are used to tip the playing table to make the ball roll in the corresponding direction. The goal is to get the ball once across the labyrinth. The game is not just fun but also promotes dexterity and patience, something that is particularly important for children and seniors. In addition, the game requires concentration and coordination.

Fundamental characteristics

- Attractive design
- Incentive for playing: known activities

Recommended for

- School children
- Young people
- Adults
- Older people
- Supervised play areas, such as schools, after-school programmes or similar
- Public play areas without supervision, such as playgrounds, parks or similar

Barrier-free

- Independent play



Ball Labyrinth



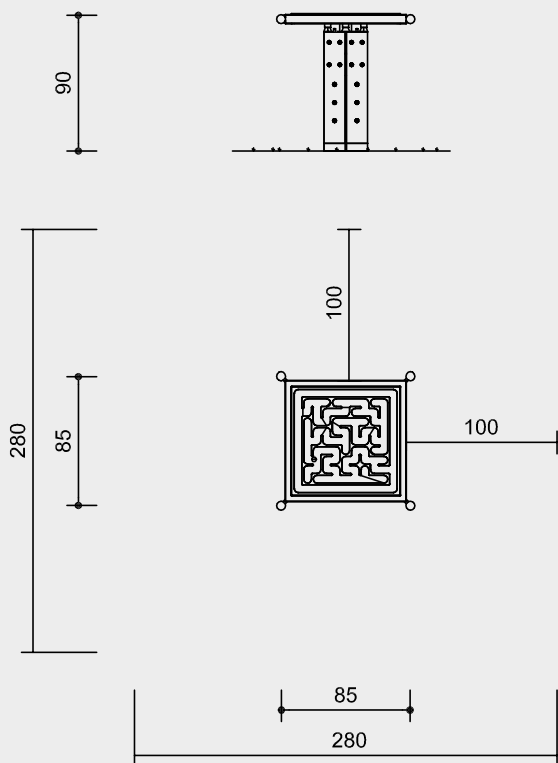
9.15100

© Richter Spielgeräte GmbH 06/22

Design F. J. Wagner

Order No. 9.15100
Ball Labyrinth

Safety distance 
Device dimensions 
Functional distance 



Scale 1:50

Safety check according to DIN EN 1176

Components

- 1 Ball labyrinth
- 1 Support post with
- 4 foundation anchors

Registered Design

40 2020 202 223.7 Germany

Installation information

Surfacing requirements
no requirements

Foundations
1 item 60 x 70 x 40 cm
Excavation depth 60 cm

Attention:
Exact measurements may vary;
for all installation dimensions refer
to current assembly instructions.
Technical changes reserved.

Technical information

Frame made of stainless steel,
glass bead blasted

Core-free
Sawn-timbers core-free, thus decreasing
occurrences of cracking and undesired
changes in shape



Adjustable
Adjustable two-piece bolt connection,
easy to maintain,
no projecting threads



HPL ground anchor
Foundation anchor made of phenol
resin paper-based laminates



**For more detailed explanation of the
quality characteristics see price list.**

Sandwich construction frame, oiled,
non-positive fitting

Guide plate for sphere made of plastic

Covered with (toughened) safety glass,
10 mm

Play table with bearing on rubber buffers
for controlled swinging movements

Handle balls made of polyurethane (PUR)

Dimensions

(small deviations possible)

Height	0.90 m
Length	0.85 m
Width	0.85 m
Play area	0.72 x 0.72 m
Thickness of safety glass	10 mm
Weight	160 kg



9.15100



Special version with fruit motifs



Photo © Monica Bedmar

Play Value

This memory game, suitable for outdoors, is a well-known brain teaser. The aim of the game is to find matching pairs of cards, which promotes memory skills. Two players take turns to turn around two wooden tiles with pictures of animals on the back. If the two pictures do not match, they must be turned back around. This is continued until a pair is found. The player who has collected the most pairs at the end is the winner.

Fundamental characteristics

- Attractive design
- Incentive for playing: turn, push, recognise, assign

Recommended for

- Kindergarten children
- School children
- Young people
- Adults
- Older people
- Supervised play areas, such as kindergartens, schools, after-school programmes or similar
- Public play areas without supervision, such as playgrounds, parks or similar

Barrier-free

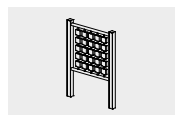
- Independent play



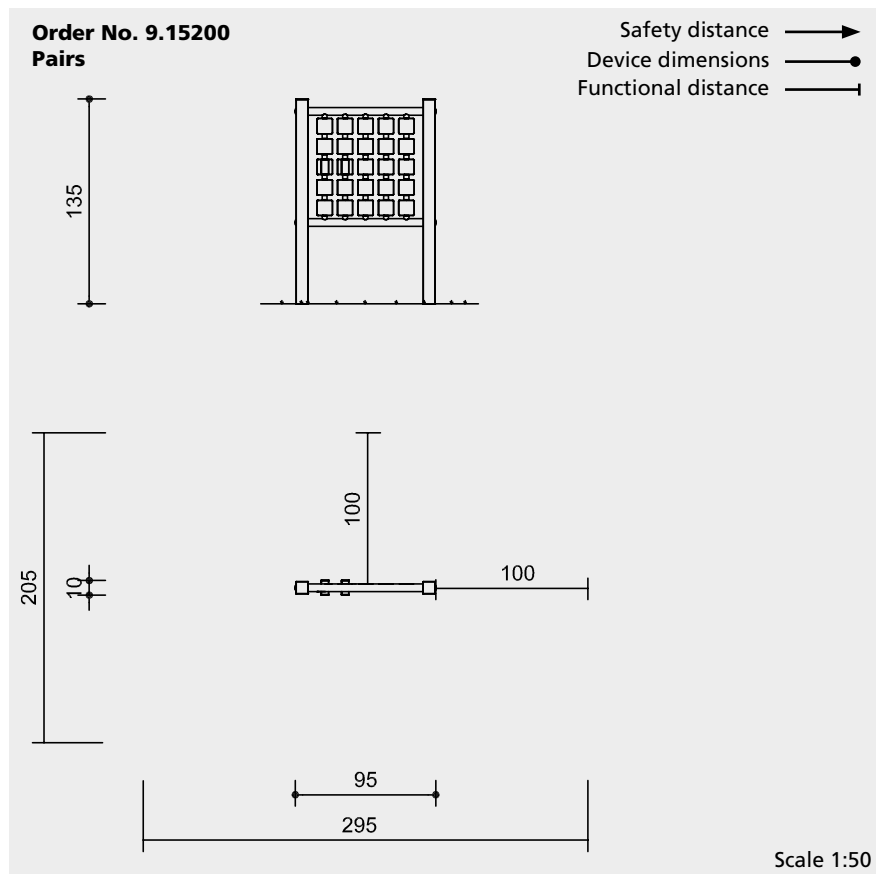
Pairs

© Richter Spielgeräte GmbH 06/22

Design F. J. Wagner



9.15200



Safety check according to DIN EN 1176

Components

- 1 Frame with panel

Registered Design

40 2020 202 223.7 Germany

Installation information

Surfacing requirements
no requirements

Foundations
2 items 40 x 40 x 40 cm
Excavation depth 60 cm

Attention:

**Exact measurements may vary;
for all installation dimensions refer
to current assembly instructions.**

Technical changes reserved.

Technical information

Frame and standposts made of stainless steel; glass bead blasted

Ground anchor

All parts used for anchoring to the ground are made of hot-dip galvanised steel or stainless steel



For more detailed explanation of the quality characteristics see price list.

12 pairs of turnable timber pieces made of oiled mountain larch with animal theme on one side, mounted in sliding bushes

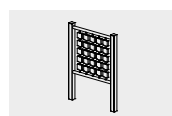
Animal themes made of stainless steel, laser cut and vibratory grinding

Pairs also available with special themes
(Order No. 9.15210 / 9.15220)

Dimensions

(small deviations possible)

Height	1.35 m
Length	0.92 m
Width	0.10 m
Play area	0.70 x 0.70 m
Weight	45 kg



9.15200

Play value

Our Ball Track is a very special experience. Multiple starting points, a ball basin, an adjustable disc as well as an exiting course allow for varied and stimulating play. Tracking and observing the ball all the way to the finish and then sending it off again, is great fun and gets young and old moving. In addition, the direction of the ball can be changed with the adjustable disc.



The colours of the standard version differ from those shown in the photos.



© Richter Spielgeräte GmbH 06/22

Fundamental characteristics

- Self-explanatory, attractive design
- Simple physical principles and processes are imparted in a playful manner
- Incentive for playing: observing, experimenting, communicating, exercising

Recommended for

- Kindergarten children
- School children
- Only supervised play areas
- Leisure parks

Barrier-free

- Independent play

Components

Order No. 9.19100

- 6 Tracks
- 1 Adjustable disc
- 2 Balls

Order No. 9.19200

- 7 Tracks
- 1 Ball basin
- 1 Adjustable disc
- 2 Balls

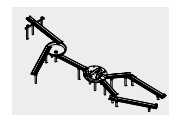
Order No. 9.19500

- 7 Tracks
- 1 Ball basin
- 1 Adjustable disc
- 1 Finish plate
- 2 Balls

Small Ball Track, Type 1
Small Ball Track, Type 2
Medium Ball Track



9.19100




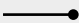
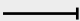
9.19200

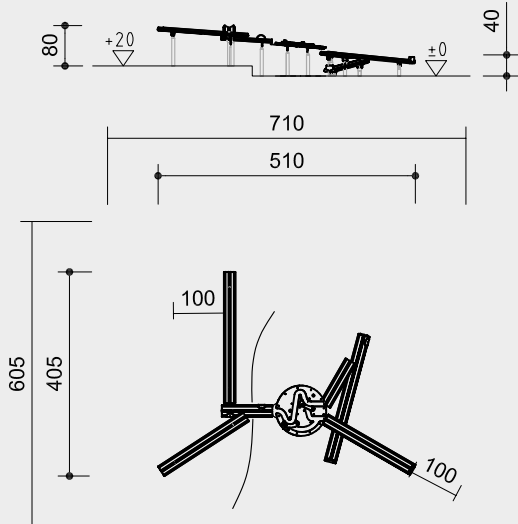


9.19500

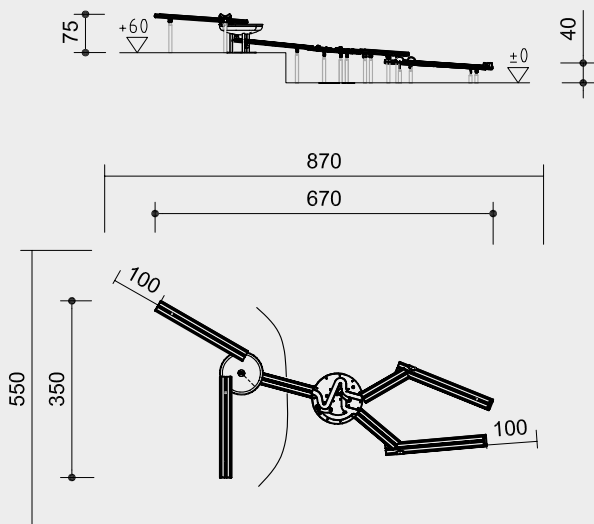
Design F. Dorband / K. H. Thiele

Order No. 9.19100 Small Ball Track, Type 1

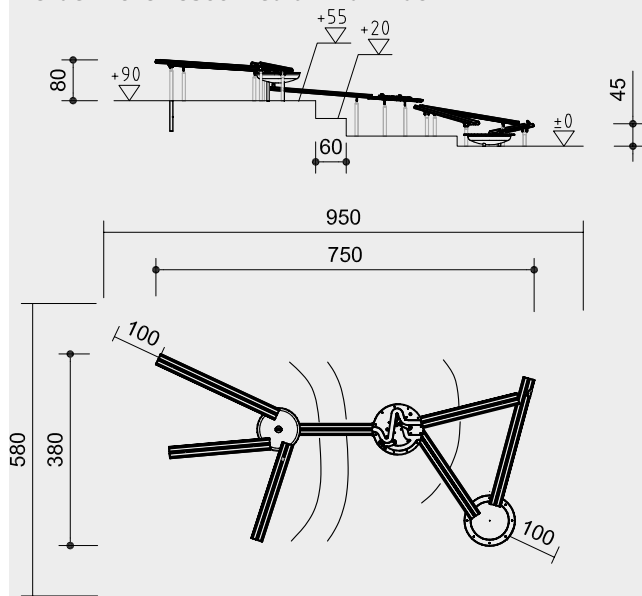
Safety distance 
 Device dimensions 
 Functional distance 



Order No. 9.19200 Small Ball Track, Type 2



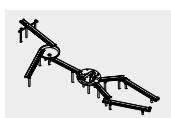
Order No. 9.19500 Medium Ball Track



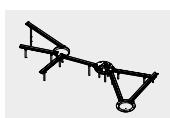
Safety check according to DIN EN 1176



9.19100



9.19200



9.19500

Technical information

Tracks made of non-impregnated mountain larch

Core-free

Sawn-timbers core-free, thus decreasing occurrences of cracking and undesired changes in shape



Ground anchor

All parts used for anchoring to the ground are made of hot-dip galvanised steel or stainless steel



For more detailed explanation of the quality characteristics see price list.

Ball basin and finish plate made of stainless steel, glass-bead blasted

Adjustable disc of high pressure laminate, 10 mm

Rubber elements made of elevator belt, PAH-free, laminated with textile

Balls made of PAH-free hard plastics

Dimensions

(small deviations possible)

Order No. 9.19100 Small Ball Track, Type 1

Height	0.80 m
Length	5.10 m
Width	4.05 m
Weight	165 kg

Order No. 9.19200 Small Ball Track, Type 2

Height	0.75 m
Length	6.70 m
Width	3.50 m
Weight	200 kg

Order No. 9.19500 Medium Ball Track

Height	0.80 m
Length	7.50 m
Width	3.80 m
Weight	245 kg

Installation information

Surfacing requirements corresponding to a fall height of ≤ 0.60 m (please refer to price list for more detailed information)

Foundations

Order No. 9.19100

11 items 50 x 50 x 40
 1 item 70 x 70 x 40
 Excavation depth 60 cm

Order No. 9.19200

11 items 50 x 50 x 40
 1 items 70 x 70 x 40
 1 items 60 x 60 x 40
 Excavation depth 60 cm

Order No. 9.19500

13 items 50 x 50 x 40,
 1 items 70 x 70 x 40
 2 items 60 x 60 x 40
 Excavation depth 60 cm

Attention:

Exact measurements may vary; for all installation dimensions refer to current assembly instructions.

Technical changes reserved.

Senses

Acoustic
Optics

P. 569 - 592
P. 593 - 600

Play value

The Wind Pipes are a simple sound equipment which enables the person „playing them“ to experience physically the relation of cause and effect. The three, ground level integrated see-saw beams can be moved independently from each other. Due to the movement of the beams, the air pressure which is required for playing the pipes is produced. By means of shifting the weight or moving from one beam to the other, different simple sequences of notes are produced. Six different notes are possible. Children enjoy very much making „music“ with the whole body or producing „beautiful“ (dreadful) sequences of notes by using the see-saw effect of the beams.

Fundamental characteristics

- Unique and original
- Combination of see-sawing and experience of sound
- Incentive for playing: surprising element on the ground
- Movement: shifting one’s weight

Recommended for

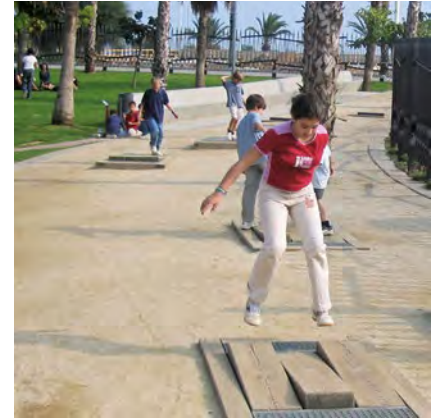
- Kindergarten children
- School children
- Young people
- Adults
- Older people
- Supervised play areas, such as kindergartens, schools, after-school programmes or similar
- Public play areas without supervision, such as playgrounds, parks or similar

Barrier-free

- Independent play

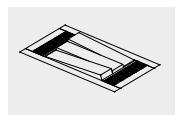
Planning information

To prevent the underground parts of the mechanism from being damaged, we strongly advise against installing the equipment in sand.

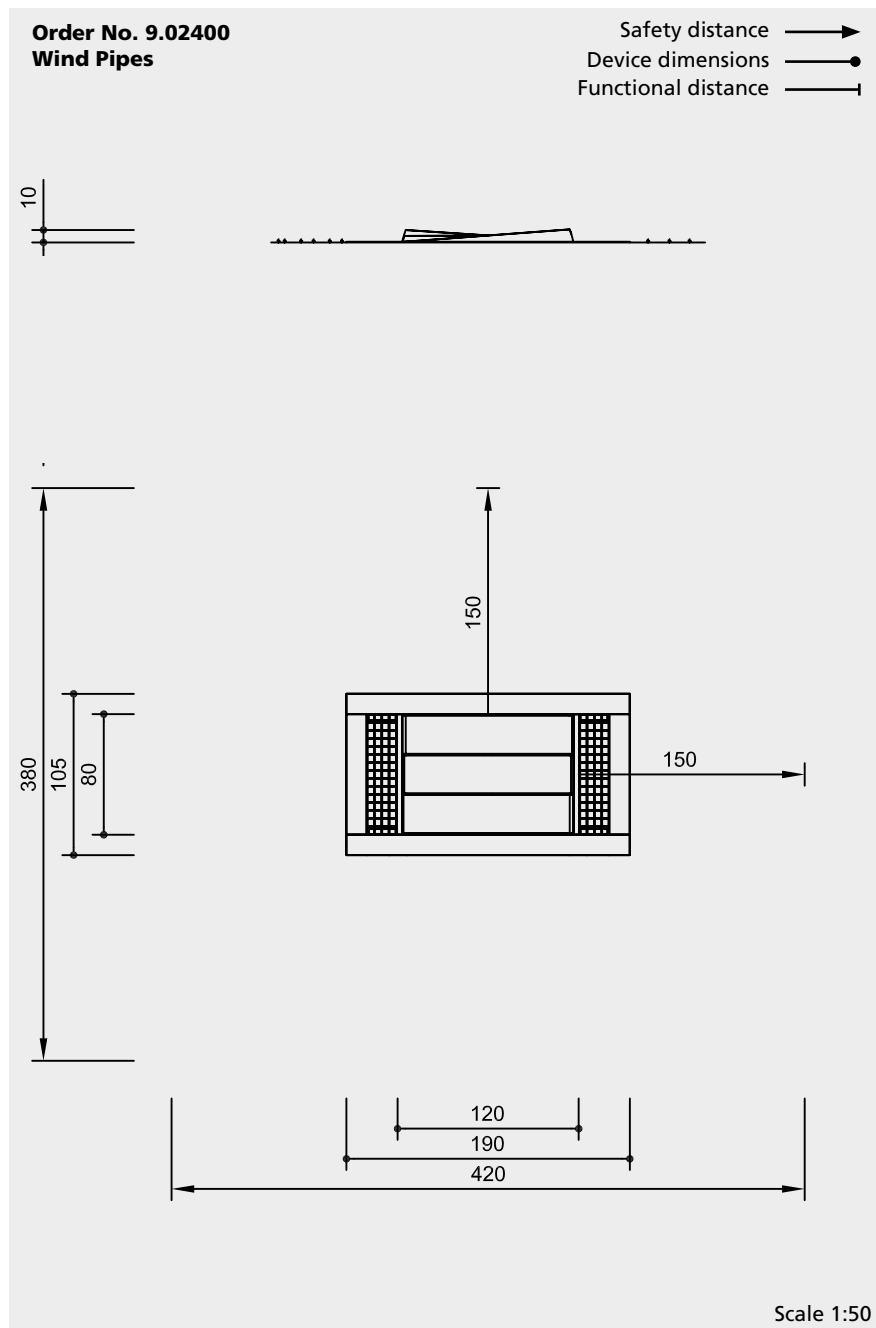


Acoustic effect	medium / pipes
Vandalism	not vulnerable
Supervision	recommended

Wind Pipes



9.02400



Safety check according to DIN EN 1176

Components

- 1 Complete equipment with 3 see-saw beams and 6 piston pumps with musical pipes

Installation information

Surfacing requirements corresponding to a fall height of ≤ 0.60 m (please refer to price list for more detailed information)

Foundations

Excavation: 125 x 220 x 63 cm
1 box foundation 125 x 220 x 50 cm with a wall thickness of 30 cm on the short side and 20 cm on the long side

Attention:

Exact measurements may vary; for all installation dimensions refer to current assembly instructions.

Technical changes reserved.

Technical information

Equipment made of non-impregnated mountain larch

Core-free

Sawn-timbers core-free, thus decreasing occurrences of cracking and undesired changes in shape



Sintered bush

For all reciprocating movements we use sintered plain bearings which are self-lubricating in use and can easily be exchanged if necessary



Ground anchor

All parts used for anchoring to the ground are made of hot-dip galvanised steel or stainless steel



For more detailed explanation of the quality characteristics see price list.

Piston pumps with pipes mounted under the see-saw beam

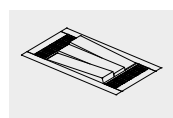
Pipes are tuned to the pentatonic scale

Ventilation from hot-dip galvanised grille

Dimensions

(small deviations possible)

Length	1.90 m
Width	1.05 m
See-saw beams	10 / 26 cm
Weight	200 kg



9.02400

Play value

The Sound Cushions provide an attractive activity for nearly all ages. Tones are produced by hopping on, or running over the cushions. Surprising tone sequences are produced, interrupted by amusing squeaks. This is a game for children and adults. As installation takes place using ground anchors rather than foundations, the tones can be changed any time. New sequences of movement are then required together with new tones and noises.



Photo © Ayumi Nakanishi



Photo © Anton Donikov

Fundamental characteristics

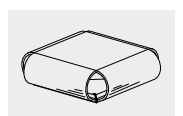
- Incentive for playing: „funny“ cushions on the ground, curiosity
- Movement: jumping, hopping, running

Acoustic effect	medium / pipes
Vandalism	slightly vulnerable

Sound Cushions


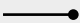
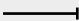
Recommended for

- Kindergarten children
- School children
- Supervised play areas, such as kindergartens, schools, after-school programmes or similar
- Public play areas without supervision, such as playgrounds, parks or similar
- Swimming pools without supervision, such as outdoor pools, adventure pools or similar



9.02410

Order No. 9.02410
Sound Cushions
 Installation example

Safety distance 
 Device dimensions 
 Functional distance 

Technical information

Hopping surface made of textile-reinforced rubber belt, thickness 8 mm

Ground anchor

All parts used for anchoring to the ground are made of hot-dip galvanised steel or stainless steel



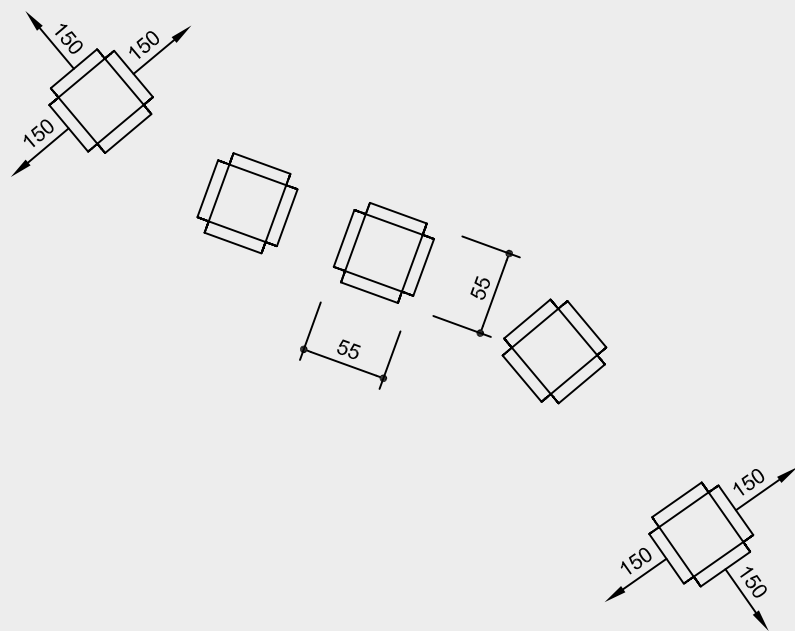
For more detailed explanation of the quality characteristics see price list.

Air spring with pipe, for installation in groups pentatonically tuned

Dimensions

(small deviations possible)

Height	0.15 m
Length	0.55 m
Width	0.55 m
Weight	25 kg



Scale 1:50

Safety check according to DIN EN 1176

Components

- 1 Hopper
- 2 Foundation irons

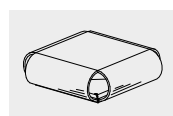
Installation information

Surfacing requirements corresponding to a fall height of ≤ 0.60 m (please refer to price list for more detailed information)

Foundations
 Excavation per item approx. 60 x 20 x 40 cm (only necessary to immobilise the equipment)

Attention:
Exact measurements may vary; for all installation dimensions refer to current assembly instructions.

Technical changes reserved.



9.02410



Play value

By turning the individual rollers, different sounds are generated. Participants can balance by standing on the rollers or sit on the ropes pushing the rollers with their feet. Sounds are generated in an amusing way on the sound roller while sense of balance is improved.



© Richter Spielgeräte GmbH 06/22

Sound Roller

Fundamental characteristics

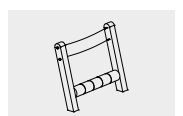
- Experience of sound for sensitive perception
- Incentive for playing: rollers, holding ropes
- Movement: movement of feet, holding on, hanging

Acoustic effect	soft clanging
Vandalism	not vulnerable

Recommended for


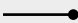
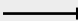
- School children
- Supervised play areas, such as kindergartens, schools, after-school programmes or similar
- Public play areas without supervision, such as playgrounds, parks or similar

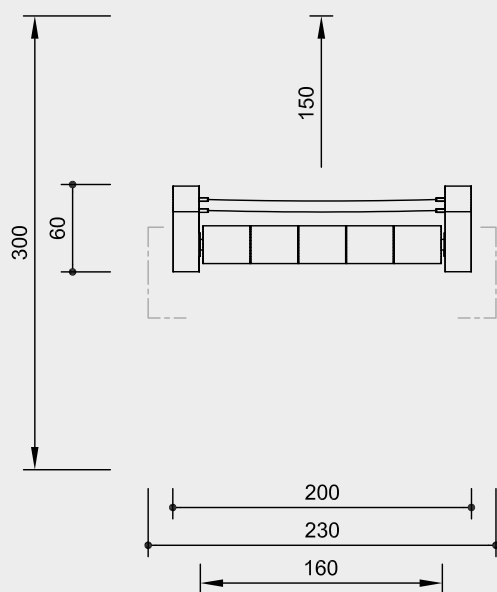
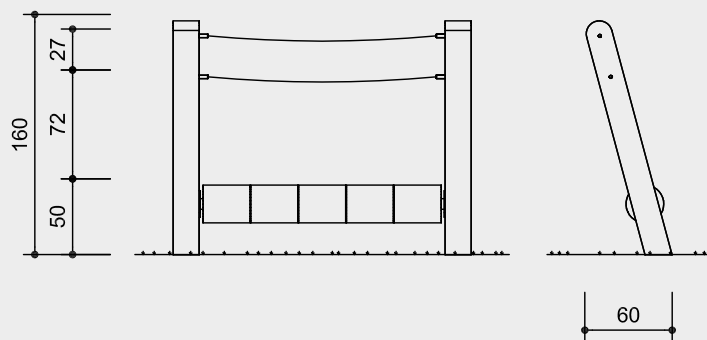
Design F. Dorband / K. H. Thiele



9.02431

Order No. 9.02431
Sound Roller

Safety distance 
Device dimensions 
Functional distance 



Scale 1:50

Safety check according to DIN EN 1176

Components

- 2 Support posts with steel feet and 2 ropes
- 1 Axle with 5 rollers

Installation information

Surfacing requirements corresponding to a fall height of ≤ 0.60 m (please refer to price list for more detailed information)

Foundations
1 item 60 x 60 x 60 cm
Excavation depth 80 cm

Attention:
Exact measurements may vary;
for all installation dimensions refer to current assembly instructions.
Technical changes reserved.

Technical information

Support posts made of square timber 18 / 18 cm, non-impregnated mountain larch

Core-free
Sawn-timbers core-free, thus decreasing occurrences of cracking and undesired changes in shape



Richter Hercules type rope
Richter Hercules type rope, a combination of galvanised six-strand steel cables and polyester yarn, diameter > 20 mm, laid and glued with very good abrasion resistance, strong sheathing even in the case of damage by puncturing



Aluminium rope pressing
Aluminium rope pressing, cylindrically pressed, with rounded ends



Rope connection fixed
Fixed rope connection without dangerous openings. Screw connection adjustable and countersunk in the wood



Profiled washer
Profiled washer for covering protruding screw heads according to standard, improved pressure distribution and protection against water. Impedes loosening the bolt



Sintered bush
For all reciprocating movements we use sintered plain bearings which are self-lubricating in use and can easily be exchanged if necessary



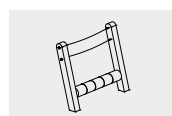
Ground anchor
All parts used for anchoring to the ground are made of hot-dip galvanised steel or stainless steel



For more detailed explanation of the quality characteristics see price list.

Dimensions
(small deviations possible)

Height	1.60 m
Length	2.00 m
Depth	0.60 m
Weight	250 kg



9.02431

Play value

Three wooden columns with pump handles are placed around a central post. Raising and lowering the levers produces air pressure which drives sound elements. Pumping produces different triads. Playing together with the Wind Pump produces elementary experience of rhythm and tone using simple hand movements. This attractive play equipment is an appealing enhancement of parks and leisure areas. It is just as suited as a central feature of play areas.



© Richter Spielgeräte GmbH 06/22

Wind Pumps

Fundamental characteristics

- Unique and original
- Harmonic design
- Incentive for playing: interesting installation, curiosity
- Movement: pumping

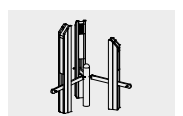
Acoustic effect	strong / pipes
Vandalism	not vulnerable

Recommended for

- School children
- Supervised play areas, such as kindergartens, schools, after-school programmes or similar
- Public play areas without supervision, such as playgrounds, parks or similar

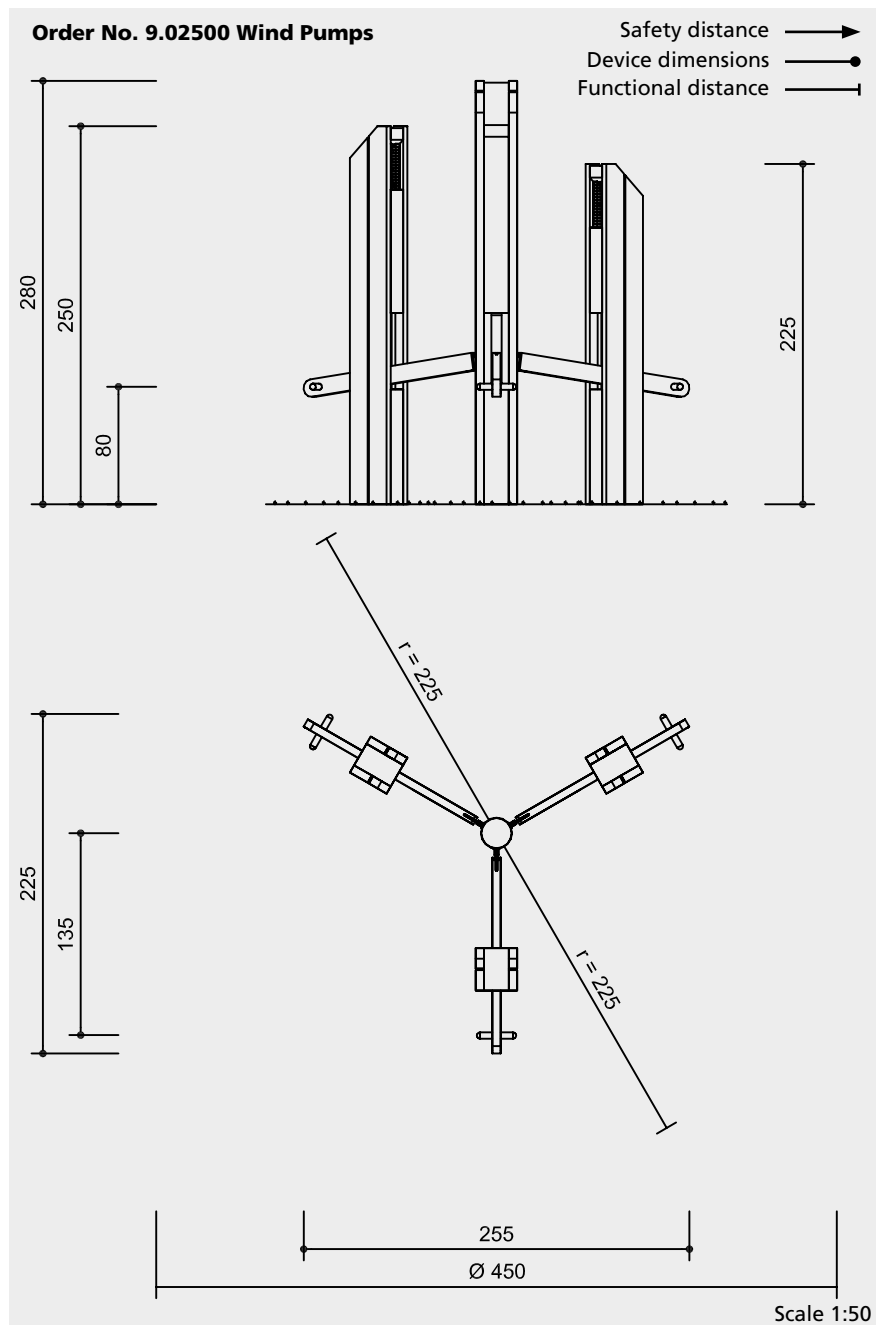
Barrier-free

- Independent play



9.02500

Design F. Dorband / K. H. Thiele



Safety check according to DIN EN 1176

Components

- 3 Individual pumps with integrated sound elements and steel feet
- 1 Central column with 3 levers and steel foot

Installation information

Surfacing requirements
 no requirements

Foundations
 4 items 50 x 50 x 60 cm
 Excavation depth 80 cm

Attention:
Exact measurements may vary; for all installation dimensions refer to current assembly instructions.
 Technical changes reserved.

Technical information

Equipment made of non-impregnated mountain larch

Peeled white

Palisades peeled white means that bark, cambium and sapwood are removed, the natural shape of the trunk is preserved and can be experienced



Core-free

Sawn-timbers core-free, thus decreasing occurrences of cracking and undesired changes in shape



Ground anchor

All parts used for anchoring to the ground are made of hot-dip galvanised steel or stainless steel



For more detailed explanation of the quality characteristics see price list.

1 piston pump per column each with 2 pipes, tuned to the pentatonic scale

Hot-dip galvanised fittings

Dimensions

(small deviations possible)

Height	2.80 m
Weight	300 kg



9.02500

Play value

The play possibilities of **Sea Roarer** are not apparent until the user steps onto the stainless steel platform and discovers the pivotally rotating movements it allows. These movements are fun, and increased play value is achieved when users interact with each other. Gradually the players become conscious of a special sound. Concentration turns more and more to listening and exploring how the movement controls the sound – they discover the roar of the sea. Below the surface are many little balls, which move when the position of the standing plate is changed. The balls roll over a membrane producing a sound which is similar to that of the sea rolling in and out of the shore. The senses of balance and hearing are both challenged and stimulated, heightening the awareness of the senses through play activity.

Another exciting acoustic phenomenon can be experienced with our **piper**. Two sound tubes together make up a set. One serves as a pump while the other determines the pitch of the tone. The movable metal rod is used to draw air upwards into the sound element and to push it downwards. The second sound element then simultaneously generates a piping sound. Different chord progressions can be generated depending on the speed of the pump and how the tone pitch is controlled.

Fundamental characteristics

- Unique and original
- High-quality design appeals to the senses
- Incentive for playing: appealing design, curiosity
- Movement: balancing, experiencing one's whole body



Order No. 9.02652 Sea Roarer free-standing



Order No. 9.02650 Sea Roarer

Recommended for

- School children
- Young people
- Supervised play areas, such as kindergartens, schools, after-school programmes or similar
- Public play areas without supervision, such as playgrounds, parks or similar

Barrier-free

- Special exercise experience
- Independent play (piper)

**Sea Roarer
Sea Roarer free-standing
Piper**

Acoustic effect

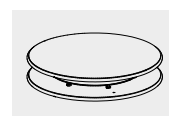
Sea Roarer:
soft
Piper:
strong

Vandalism

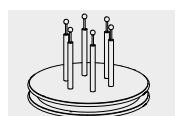
not vulnerable



Order No 9.02660 Piper



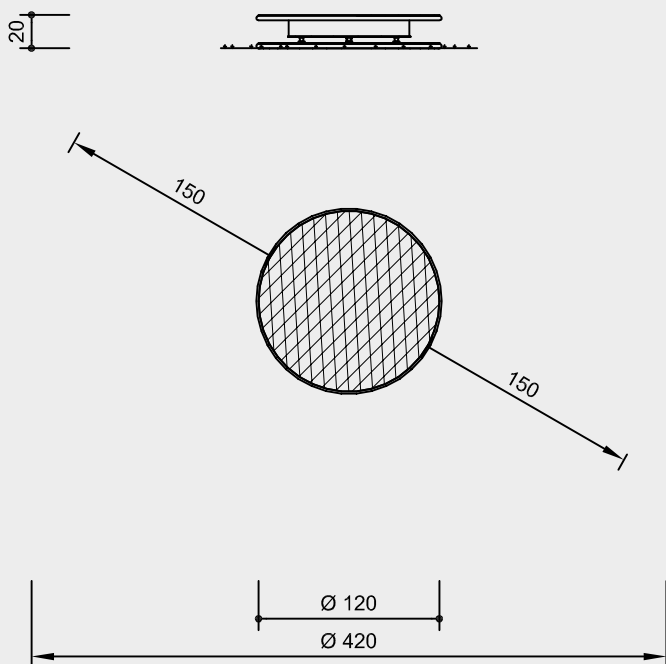
9.02650 / 9.02652



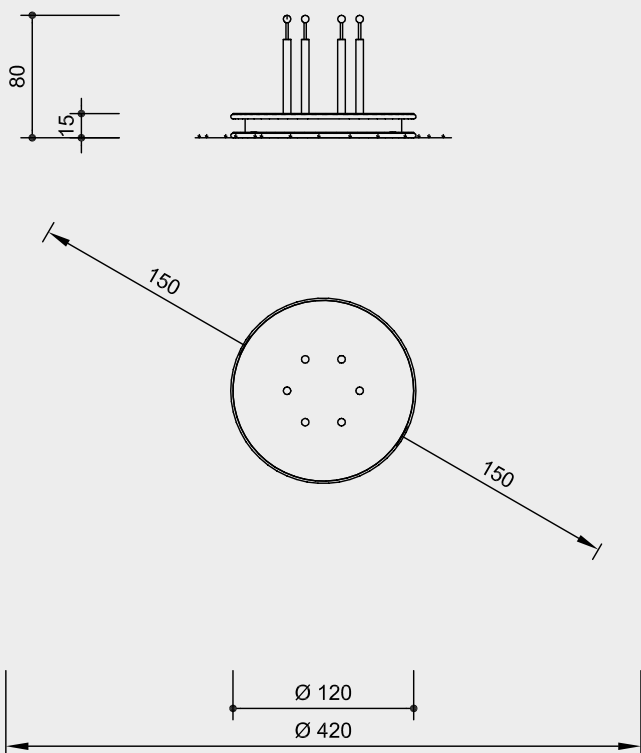
9.02660

Order No. 9.02650 / 9.02652
Sea Roarer

Safety distance 
Device dimensions 
Functional distance 

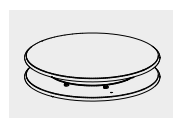


Order No. 9.02660
Piper

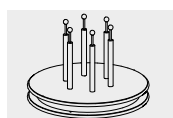


Scale 1:50

Safety check according to DIN EN 1176



9.02650 / 9.02652



9.02660

Technical information

Equipment entirely made of stainless steel, glass bead blasted, with sound elements

Ground anchor

All parts used for anchoring to the ground are made of hot-dip galvanised steel or stainless steel



For more detailed explanation of the quality characteristics see price list.

Order No. 9.02652

Sea Roarer free-standing

Rubber buffer made of hard rubber abrasion-resistant

Order No. 9.02660

Piper

Pipes made of phenolic resin, different colour pairs

Dimensions

(small deviations possible)

Order No. 9.02650 / 9.02652

Sea Roarer

Height	0.20 m
Diameter	1.20 m
Weight	130 / 120 kg

Order No. 9.02660

Piper

Height	0.15 m
Height incl. pipes	0.80 m
Diameter	1.20 m
Weight	70 kg

Components

Order No. 9.02650

Sea Roarer

- 1 Piece of equipment
- 3 Foundation irons

Order No. 9.02652

Sea Roarer free-standing

- 1 Piece of equipment
- 6 Rubber buffers

Order No. 9.02660

Piper

- 1 Piece of equipment
- 3 Foundation irons

Installation information

Surfacing requirements corresponding to a fall height of ≤ 0.60 m (please refer to price list for more detailed information)

Foundations

Order No. 9.02650 / 9.02660

- 3 items 40 x 40 x 35 cm
- Excavation depth 40 cm

Attention:

Exact measurements may vary; for all installation dimensions refer to current assembly instructions.

Technical changes reserved.



Order No. 9.02710 Phones in Concrete

Play value

The Phones are an attractive play item which confront people with the physical phenomena of sound waves and sound wave transmission during play. Children are fascinated when they can actually hear the voice of their play partner clearly at a distance of approximately 15 m. This telephone can also be incorporated in role play and becomes particularly interesting when bushes or trees obscure the view to give an illusion of a big distance to be bridged.

Fundamental characteristics

- Agreeable design
- Enables communication over a big distance
- Movement: bending, stretching

Recommended for

- Kindergarten children
- School children
- Supervised play areas, such as kindergartens, schools, after school programmes or similar
- Public play areas without supervision, such as playgrounds, parks or similar

Barrier-free

- Independent play



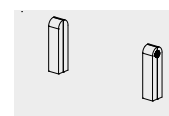
Order No. 9.02700 Phones in Wood

**Phones in Wood
Phones in Concrete**

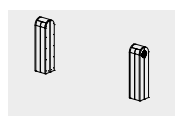
Acoustic effect	soft
Vandalism	not vulnerable



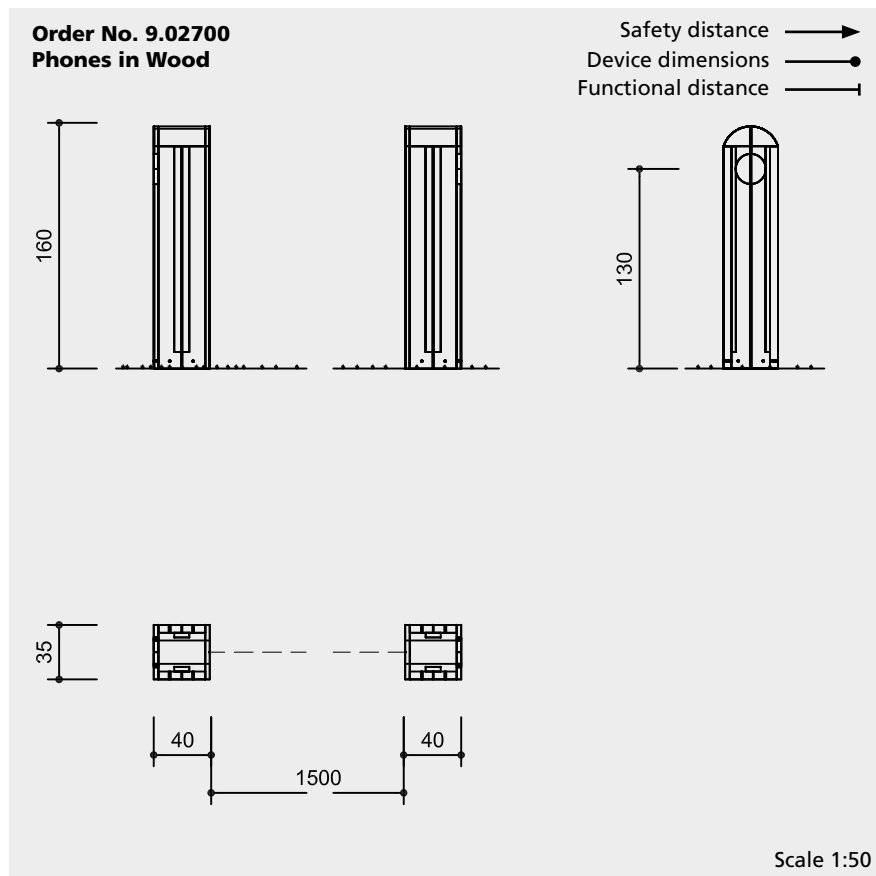
9.02700



9.02710



9.02720



Safety check according to DIN EN 1176

Components

- 2 Phones
- 17 m plastic pipe and accessories
- 2 Foundation frames

Installation information

Surfacing requirements
no requirements

Foundations

Order No. 9.02700 / 9.02720
Phones in Wood

2 items 60 x 60 x 40 cm
Excavation depth 45 cm

Order No. 9.02710
Phones in Concrete

no foundation work necessary
Excavation 60 x 55 x 55 cm
A well-compacted soil with good carrying capacity is required, if necessary use gravel or, respectively, a blinding layer.

Groundwork necessary for connection pipe

Piping included in scope of delivery for max. distance of 17 m, distances up to 30 m possible.

Attention:
Exact measurements may vary;
for all installation dimensions refer to current assembly instructions.

Technical changes reserved.

Technical information

Order No. 9.02700 / 9.02720
Phones in Wood

Equipment made of non-impregnated mountain larch

Core-free

Sawn-timbers core-free, thus decreasing occurrences of cracking and undesired changes in shape



Ground anchor

All parts used for anchoring to the ground are made of hot-dip galvanized steel or stainless steel



For more detailed explanation of the quality characteristics see price list.

Mouthpieces closed with communication grille of stainless steel, connected with plastic pipes

Order No. 9.02710
Phones in Concrete

Each phone as 1 part of reinforced concrete C40/50

Mouthpieces closed with communication grille of stainless steel, connected with plastic pipes

Dimensions

(small deviations possible)

Order No. 9.02700
Phones in Wood

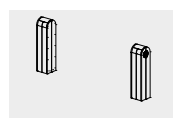
Height	1.60 m
Mouthpiece	1.30 m
Width	0.35 m
Depth	0.40 m
Weight	150 kg

Order No. 9.02710
Phones in Concrete

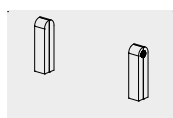
Height	1.50 m
Mouthpiece	1.30 m
Width	0.35 m
Depth	0.40 m
Weight	720 kg

Order No. 9.02720
Phones in Wood for kindergartens

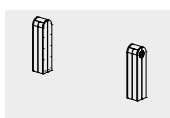
Height	1.20 m
Mouthpiece	0.90 m
Width	0.35 m
Depth	0.40 m
Weight	130 kg



9.02700



9.02710



9.02720

Play value

Our Ear and Speaking Trumpets are an attractive piece of play equipment, which can be used in lots of different ways. The transmission of voices and sounds through the funnels begins with listening to a gentle sound and then becomes intriguing when you become aware of the amplification effect. In order to achieve good results, the "trumpets" must face each other precisely. Since the trumpets can be rotated 360° and swivelled vertically, it is possible to mount several of them at different heights. For speaking and listening, two of them have to be adjusted individually so that they are precisely in line with each other. The funnels can be integrated into role-playing games in countless ways - small and big children alike are fascinated by being able to communicate with each other over a certain distance. In addition, the Trumpet are also exciting individually - for eavesdropping on the ambient sounds, for ship commands and numerous of other role-playing variants.

Recommended for

- School children
- Young people
- Adults
- Older people
- Supervised play areas, such as kindergartens, schools, after-school programmes or similar
- Public play areas without supervision, such as playgrounds, parks or similar

Barrier-free

- Special version for wheelchair users optional



Special version with Handrail fastening




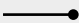
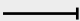
Ear and Speaking Trumpet

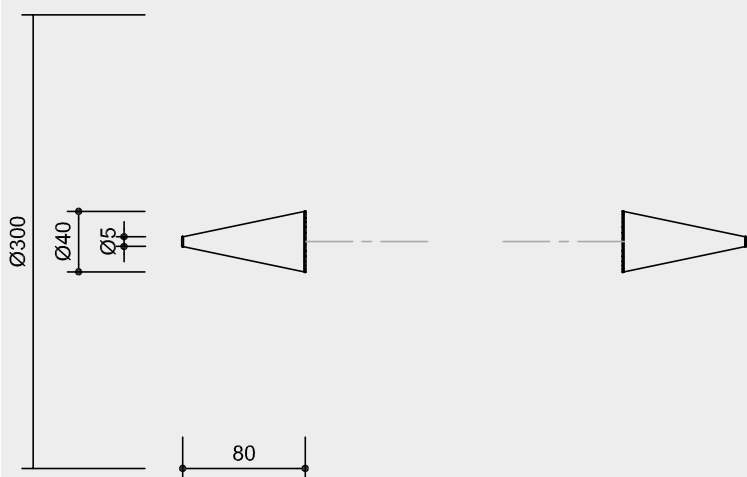
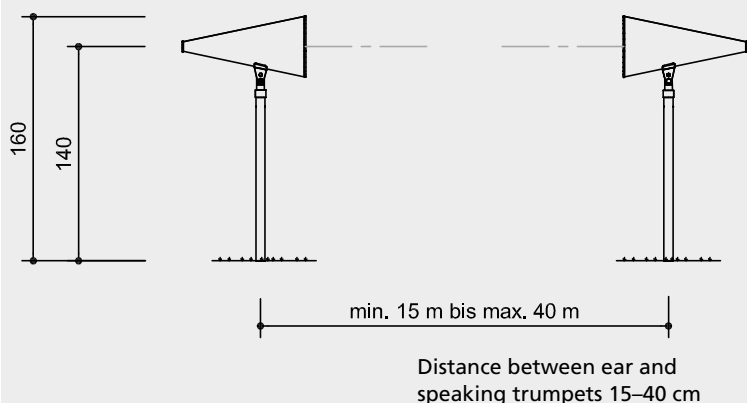
Acoustic effect	soft
Vandalism	not vulnerable
Supervision	not required
Explanation Board	recommended
Installation	indoors and outdoors
Safety check (DIN EN 1176)	not required
Installation in concrete	possible



9.03000

Order No. 9.03000
Ear and Speaking Trumpet
 Example with 2 trumpets

Safety distance 
 Device dimensions 
 Functional distance 



Scale 1:50

Technical information

Equipment made of stainless steel

Sintered bush

For all reciprocating movements we use sintered plain bearings which are self-lubricating in use and can easily be exchanged if necessary



Ground anchor

All parts used for anchoring to the ground are made of hot-dip galvanised steel or stainless steel



For more detailed explanation of the quality characteristics see price list.

Funnel-shaped opening, rotating mechanism (PE), can be swivelled vertically

Dimensions

(small deviations possible)

Height	1.40 m
Depth	0.80 m
Weight of trumpet with support post	22 kg

Components

Depends on number of pieces ordered

Minimum number = 2 trumpets for dowelling, with 4 heavy duty anchors each

Installation information

Recommended space including safety distances
 Circle diameter = 300 cm per "trumpet"

Foundations
 1 item 40 x 40 x 40 cm for each
 Excavation depth 60 cm

Note

No obstacle (other devices) may be positioned in the direct line between the two devices as this would greatly impair the function of the device.

Attention:

Exact measurements may vary; for all installation dimensions refer to current assembly instructions.

Technical changes reserved.



9.03000

Play value

Sound, like light and heat, can be made to focus. What is spoken at normal volume into the focal point of the reflector can be picked up in a second reflector placed opposite about 30 to 40 m away, as well as at all points between the two reflectors. Sound waves, like light and heat waves, can be concentrated onto one particular spot. The Parabolic Reflector provides experience of physical phenomena.

Fundamental characteristics

- Incentive for playing: large reflectors
- Movement: listening

Recommended for

- Schoolchildren
- Young people
- Adults
- Older people
- Public play areas without supervision, such as playgrounds, parks or similar

Barrier-free

- Independent play



Photo © Daniel Perales

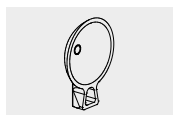


Photo © Daniel Perales




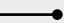
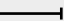
Parabolic Reflectors made of concrete

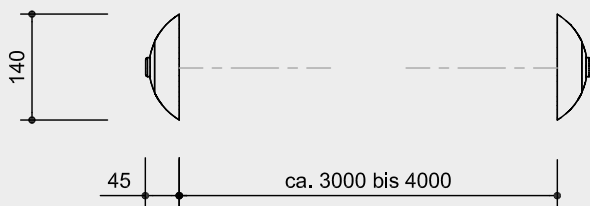
Acoustic effect	soft
Vandalism	not vulnerable



9.05000

Order No. 9.05000
Parabolic Reflectors made of concrete

Safety distance 
 Device dimensions 
 Functional distance 



Scale 1:100

Safety check according to DIN EN 1176

Components

- 2 Concrete Parabolic Reflectors with stand feet
- 2 Pylon frames
- 2 Foundation irons

Installation information

Surfacing requirements
 no requirements

Foundations
 1 item 50 x 50 x 80 cm for each
 Excavation depth 80 cm
 optical measurement with levelling instrument recommended

Attention:
Exact measurements may vary;
for all installation dimensions refer
to current assembly instructions.
 Technical changes reserved.

Technical information

Each reflector is cast as 1 part of vibrated concrete C 30/37, steel-reinforced

Ground anchor

All parts used for anchoring to the ground are made of hot-dip galvanised steel or stainless steel



For more detailed explanation of the quality characteristics see price list.

Dimensions

(small deviations possible)

Height	1.80 m
Diameter	1.40 m
Weight per reflector	520 kg



9.05000

Play value

This special **instrument** invites people to make music by playing the keys. It is available in two versions: The diatonic version is better suited to playing known melodies, while the pentatonic version is a motivation for free improvisation. This attractive play equipment is an appealing enhancement for any park and can serve as the exciting central feature of a play space.

Sound tubes are mounted on metal bars. They make sounds when they are hit by a small hammer activated by a pedal. Nearly everyone enjoys making sounds and therefore, this **wall** made from bars is very attractive both for young and older people. Due to the tubes of different lengths, the sound wall is a real music instrument which can produce a melody when „played“.

Fundamental characteristics

- Unique and original
- Incentive for playing: curiosity, percussion keys, sound elements
- Experiencing sound, making music
- Movement: beating



Order No. 9.05500 / 9.05510 Instrument



Order No. 9.05500 / 9.05510 Instrument, Photo © Iliya Varlamov



Order No. 9.06710 Sound Wall

Recommended for

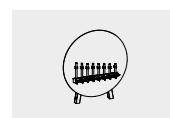
- Kindergarten children
- School children
- Young people
- Adults
- Older people
- Supervised play areas, such as kindergartens, schools, after-school programmes or similar
- Public play areas without supervision, such as playgrounds, parks or similar

Barrier-free

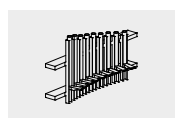
- Independent play

Acoustic effect	medium
Vandalism	not vulnerable

Instrument Sound Wall




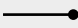

9.05500 / 9.05510

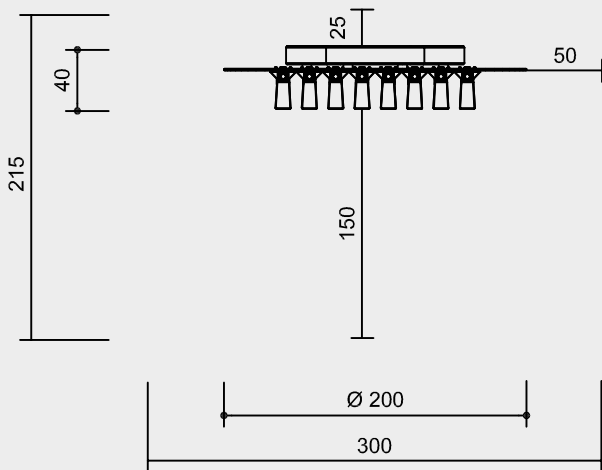
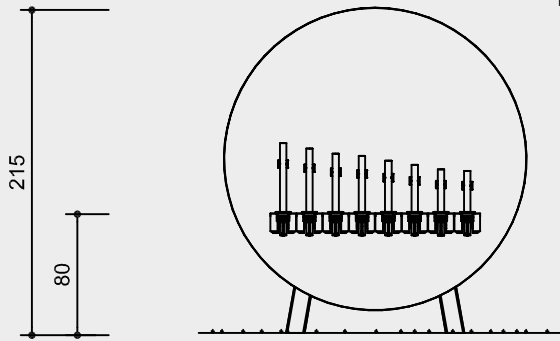


9.06710

Order No. 9.05500 / 9.05510

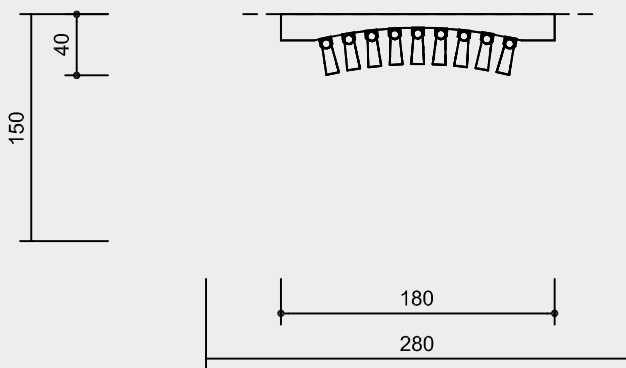
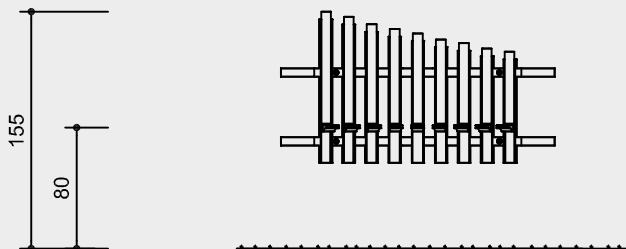
Instrument

Safety distance 
 Device dimensions 
 Functional distance 



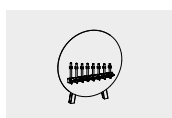
Order No. 9.06710

Sound Wall



Scale 1:50

Safety check according to DIN EN 1176



9.05500 / 9.05510



9.06710

Attention:
 Exact measurements may vary; for all installation dimensions refer to current assembly instructions.
 Technical changes reserved.

Technical information

Order No. 9.05500 / 9.05510 Instrument

Equipment made of stainless steel, sanded
 Sound tubes of hot-dip galvanised, weldless steel, mounted in stainless steel profiles
 Percussion mechanism is dampened by robust rubber buffers
 Percussion keys made of anodise aluminium

Order No. 9.06710 Sound Wall

Sound tubes of hot-dip galvanised, weldless steel, mounted in varnished U-profiles

Core-free

Sawn-timbers core-free, thus decreasing occurrences of cracking and undesired changes in shape



For more detailed explanation of the quality characteristics see price list.

Tuned to a pentatonic scale (in groups)
 Percussion mechanism is dampened by robust rubber buffers in every direction
 Percussion keys made of oak

Dimensions

(small deviations possible)

Order No. 9.05500 / 9.05510 Instrument

Height 2.15 m
 Diameter 2.00 m
 Width 0.40 m
 Weight 450 kg

Order No. 9.06710 Sound Wall

Width 1.80 m
 Length of Sound elements 0.75 – 1.00 m
 Weight 180 kg

Components

Order No. 9.05500 / 9.05510 Instrument

1 Disc
 1 Support frame

Order No. 9.05500

tuned to a pentatonic scale

Order No 9.05510

tuned to a diatonic scale

Also available for wall attachment.

Order No. 9.06710 Sound Wall

1 Sound Wall with 9 notes for attachment

The sound wall is also available with stand posts for in-situ concrete, **Order No 9.06720.**

Installation information

Surfacing
 no requirements

Foundations

Order No. 9.05500 / 9.05510 Instrument

2 items 60 x 60 x 40 cm
 Exavation depth 60 cm

Play value

The Dance Chimes connect movement with experience of sounds. People of nearly all ages enjoy producing bright tones by hopping, jumping, or even dancing. Few play items produce so much smiling as this one. Both the spectators and listeners feel a moment of lightness, joy and harmony. The strong motivation produced by the Dance Chimes helps people to overcome physical inhibitions and to harmonise uncoordinated movements. However, even arbitrary hopping produces pleasant sounds which are pentatonic sequences rather than normal tones. Nine brass tiles are arranged in a square with a sound element under each. These are set into vibration by the energy of motion and thus produce ringing tones. The Dance Chimes are also valuable as therapeutic equipment for people with a variety of functional limitations and they are a very attractive and demanding play offer for young children.

Fundamental characteristics

- Unique and original
- High-quality, sturdy construction
- Incentive for playing: surprising element on the ground, curiosity
- Movement: jumping, hopping, dancing



Photo © Paul Upward



Photo © Paul Upward



Special version with perforated plate,
Photo © Daniel Perales

Dance Chimes

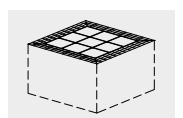
Recommended for

- Kindergarten children
- School children
- Supervised play areas, such as kindergartens, schools, after-school programmes or similar
- Public play areas without supervision, such as playgrounds, parks or similar

Barrier-free


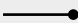
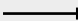
- Independent play

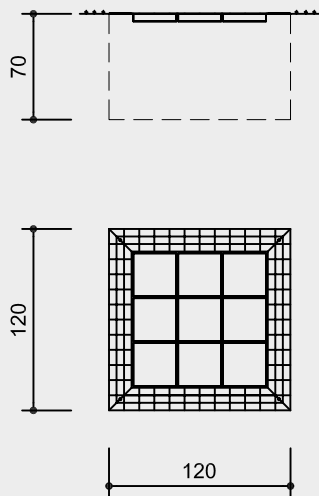
Acoustic effect	medium / tubular bells
Vandalism	not vulnerable



9.06000

Order No. 9.06000
Dance Chimes

Safety distance 
 Device dimensions 
 Functional distance 



Scale 1:50

Safety check according to DIN EN 1176

Components

- 1 Dance Chimes unit completely mounted in a corrosion protected steel housing, with 9 sound elements, pentatonically tuned and tiles of brass with sensitive hammer mechanism

Installation information

- Surfacing requirements
- Firm ground, asphalt, concrete, paving or slabs
 - The housing is lowered into the ground so that the brass tiles are level with the surrounding surface
 - To prevent spontaneous resonance, any hollow areas around the housing should be filled with sand

A foundation ist not necessarily required. Ground which is able to take a load and which is well compressed covered with gravel or a blinding layer is sufficient.

Excavation:
 Pit 1.40 x 1.40 m
 at least 0.70 m deep
 with drainage

Attention:
Exact measurements may vary;
for all installation dimensions refer
to current assembly instructions.

Technical changes reserved.
 Technische Änderungen vorbehalten.

Additional Equipment:
Electric locking device with clock
(Order No. 9.06102),
mechanical locking device with key
(Order No. 9.06106)

Technical information

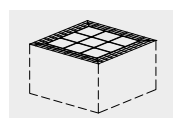
We are continuously asked if the price demanded for this equipment is not a little high. Consequently, we feel obliged to explain the sales price of this equipment. Its price is calculated no differently to any of our others. Even careful re-calculation has revealed no undue costs. All who see the high quality material, the complicated mechanism, and the clean finish understand the real value of the equipment. In your interests, its price-value relationship has been double checked and we can therefore say with a clear conscience that the Dance Chimes are worth the money.

In order for play, dance and music to form an inseparable, mutually reinforcing entity, the following and further mechanical aspects are necessary, to guarantee problem-free operation:

- Sophisticated bearings
- Precise movement, which guarantees parallel movement and thus prevents any slippage
- Return mechanism which presses the foot plate into its original position
- Buffers which prevent metal-on-metal contact
- Pentatonically-tuned tone elements which always produce a harmonious sound
- The high-quality brass foot plates which become more attractive the more they are used
- The hot-dip galvanised housing which protects the various tone elements.

Dimensions
 (small deviations possible)

Height	0.70 m
Length	1.20 m
Width	1.20 m
Weight	450 kg



9.06000



Photo © Paul Upward



Photo © Mary Noble Ours

Play value

Stainless steel sheets are curved into a U shape and then welded in this shape to a hollow tube, which serves as a resonator. When the U-shaped steel sheets are hit with a beater, a warm lively sound is created. The resonator is not just open at the top of the hollow tube but also at the bottom. If this opening is closed off with the hand, the sound volume can be increased or decreased and the resonance of the sound in the air can be experienced. This tuning makes it possible for everybody to immediately create pleasant sounds, without any disharmony.

Fundamental characteristics

- Unique and original
- Exclusive design
- Incentive for playing: form, beater

Recommended for

- School children
- Supervised play areas, such as kindergartens, schools, after-school programmes or similar
- Public play areas without supervision, such as playgrounds, parks or similar

Barrier-free

- Independent play



Photo © Iliya Varlamov



Photo © Valentin Luthiger



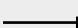
Acoustic effect	soft
Vandalism	not vulnerable

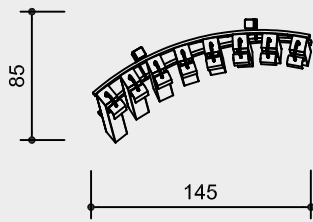
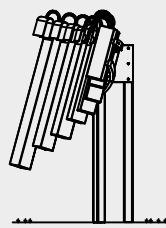
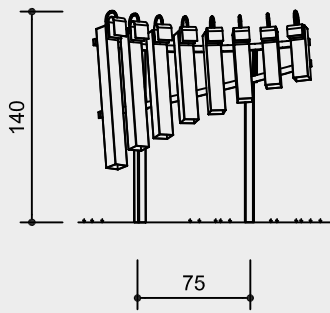
Ferraphone



9.07000

Order No. 9.07000
Ferraphone

Safety distance 
 Device dimensions 
 Functional distance 



Scale 1:50

Safety check according to DIN EN 1176

Components

- 1 Ferraphone for dowelling
 with 2 beaters
 and 4 heavy duty anchors

Installation information

Surfacing requirements
 no requirements

Foundations
 1 item 120 x 50 x 30 cm
 Excavation depth 50 cm
 for fixation with bolts

Attention:
Exact measurements may vary;
for all installation dimensions refer
to current assembly instructions.
 Technical changes reserved.

Technical information

Equipment made of stainless steel,
 glass bead blasted

Ground anchor

All parts used for anchoring to the
 ground are made of hot-dip galvanised
 steel or stainless steel



**For more detailed explanation of the
 quality characteristics see price list.**

Beater with rubber head, suspension
 made of stainless steel cable

Dimensions

(small deviations possible)

Height	1.40 m
Width	1.45 m
Depth	0.85 m
Weight	85 kg



9.07000



Photo © Paul Upward



Order No. 9.08500 Kling Klang Disc with support post

Play value

The Kling Klang Disc is a play offer for people of all age groups. By turning of the disc, the spheres start moving and touch the obstacles inside, thus producing an amiable „kling-klang“ sound. It is not only fun to discover the different nuances of sound, but also to observe the way of the rolling spheres. The Kling Klang Disc is available for wall attachment or with support post.

Fundamental characteristics

- Unique and original
- Pleasant design
- Visual and aural experience
- Incentive for playing: turning disc, spheres, curiosity
- Experience: sounds, cause and effect

Recommended for

- School children
- Supervised play areas, such as kindergartens, schools, after-school programmes or similar
- Public play areas without supervision, such as playgrounds, parks or similar

Barrier-free

- Independent play



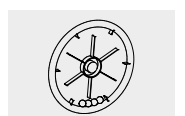
Order No. 9.08000 Kling Klang Disc for wall attachment, Photo © Daniel Perales

**Kling Klang Disc for wall attachment
Kling Klang Disc with support post**

Acoustic effect	soft
Vandalism	not vulnerable



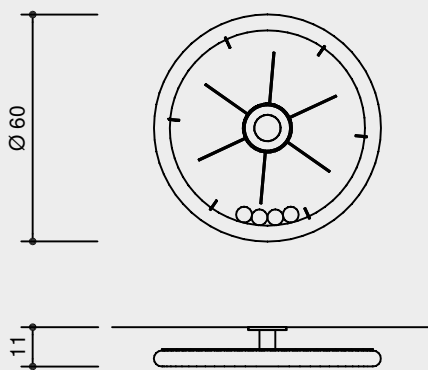
Order No. 9.08000 Kling Klang Disc for wall attachment, Photo © Daniel Perales



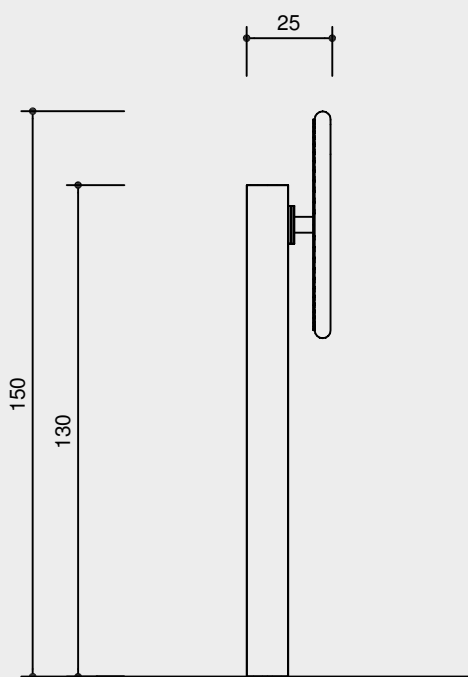
9.08000 / 9.08500

Order No. 9.08000
Kling Klang Disc for wall attachment

Safety distance →
 Device dimensions —●—
 Functional distance —|—



Order No. 9.08500
Kling Klang Disc with support post



Scale 1:20

Safety check according to DIN EN 1176

Components

Order No. 9.08000
 1 Kling Klang Disc

Order No. 9.08500
 1 Kling Klang Disc
 1 Support post for dowelling,
 with 4 heavy duty anchors

Installation information

Recommended space
 diameter 1.50 m

Foundations
Order No. 9.08500
Kling Klang Disc
with support post
 1 item 50 x 50 x 40 cm
 Excavation depth 60 cm, for dowelling

Attention:
Exact measurements may vary;
for all installation dimensions refer
to current assembly instructions.
 Technical changes reserved.

Technical information

Sound disc made of stainless steel,
 glass bead blasted

Roller bearings
 Roller bearings made of stainless steel
 for rotating elements, easy to maintain
 and exchange, sealed



For more detailed explanation of the
quality characteristics see price list.

Order No. 9.08500
Kling Klang Disc
with support post
 As above, but in addition with

Ground anchor
 All parts used for anchoring to the
 ground are made of hot-dip galvanised
 steel or stainless steel



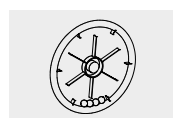
For more detailed explanation of the
quality characteristics see price list.

Transparent cover disc made of Makrolon
 Spheres made of hard plastic

Dimensions
 (small deviations possible)

Order No. 9.08000
Kling Klang Disc for wall attachment
 Diameter 0.60 m
 Depth 0.11 m
 Weight 30 kg

Order No. 9.08500
Kling Klang Disc with support post
 Diameter 0.60 m
 Depth 0.25 m
 Height of support post 1.30 m
 Weight 100 kg



9.08000 / 9.08500

Play value

The caterpillar is a friendly play offer for small children. The harmonious appearance of the figure and the way in which it is possible to play from both sides offer a lively and pleasant basis for smaller playing spaces. The space partitions promote communicative play, but also make it possible to create borders and divisions of the play areas. This caterpillar type is equipped with coloured discs, a marble run and rotating discs.



Photos © Daniel Perales



Photo © Daniel Perales

Fundamental characteristics

- Friendly appearance
- Coloured discs
- Rotating discs

Recommended for

- Kindergarten children
- Supervised play areas, such as kindergartens, schools, after-school programmes or similar
- Public play areas without supervision, such as playgrounds, parks or similar

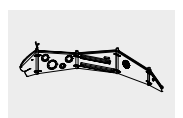
Planning information

The angles of the opposing wall elements and their number can be freely selected to a great extent. Both spread-out as well as more compact floor plans can be constructed. By freely selecting and arranging the individual elements, it is possible to carry out planning according to your requirements. The elements can also be used as partitioning play units without caterpillar head and tail.

Note

In the standard version, only the head and tail use colour in their design. The elements installed in between are also available with coloured trims at extra charge.

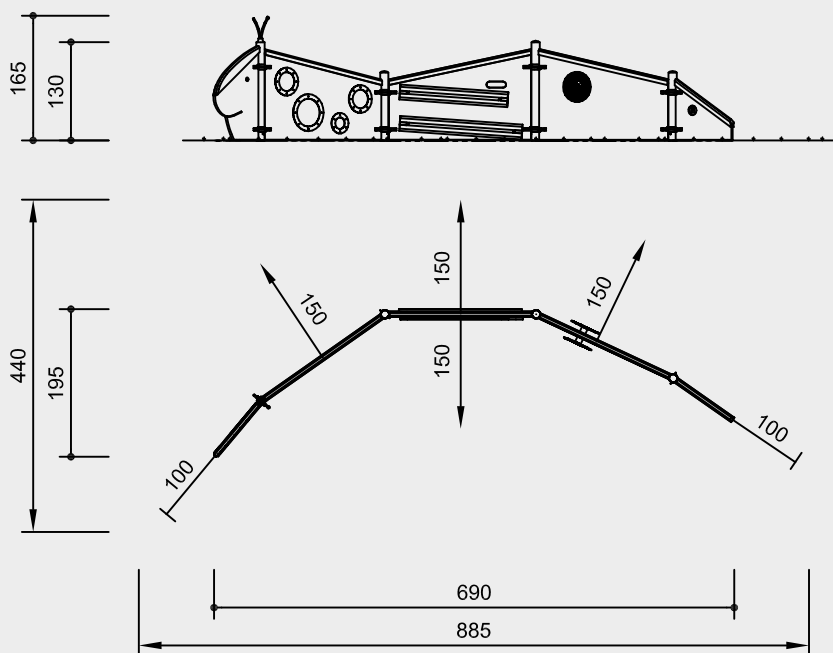
Caterpillar Type 02



5.00015

Order No. 5.00015
Caterpillar Type 02

Safety distance →
 Device dimensions ●
 Functional distance —



Scale 1:100

Safety check according to DIN EN 1176

Components

- 1 Head with horns
- 1 Element: coloured discs
- 1 Element: marble run with 6 balls
- 1 Element: rotating discs
- 1 Tail with bell
- 4 Steel posts for dowelling and 4 heavy duty anchors

Installation information

Surfacing requirements corresponding to a fall height of ≤ 0.60 m (please refer to price list for more detailed information)

Foundations
 4 items 50 x 50 x 40 cm
 Excavation depth 60 cm
 2 items 30 x 30 x 30 cm
 Excavation depth 50 cm

Attention:
Exact measurements may vary;
for all installation dimensions refer to current assembly instructions.
 Technical changes reserved.

Technical information

Equipment made of non-impregnated mountain larch

Core-free
 Sawn-timbers core-free, thus decreasing occurrences of cracking and undesired changes in shape



Plywood
 Plywood made of mountain larch, three-layer (3 cm) or five-layer (4 cm). High dimensional stability, waterproof, glued according to DIN EN 13353:2011



Richter Hercules type rope
 Richter Hercules type rope, a combination of galvanised six-strand steel cables and polyester yarn, diameter > 20 mm, laid and glued with very good abrasion resistance, strong sheathing even in the case of damage by puncturing



Aluminium rope pressing
 Aluminium rope pressing, cylindrically pressed, with rounded ends



Ground anchor
 All parts used for anchoring to the ground are made of hot-dip galvanised steel or stainless steel



Roller bearings
 Roller bearings made of stainless steel for rotating elements, easy to maintain and exchange, sealed



For more detailed explanation of the quality characteristics see price list.

Posts made of stainless steel, glass bead blasted

Bell made of brass

Rotating Discs made of PVC hard integral foam

Printed-on black / white motif anti-glare surface

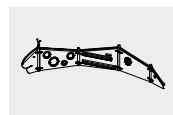
Vlange and fastening bolts made of stainless steel

Coloured Discs made of acrylic glass 3 mm, fastening frame made of stainless steel

Colour
 Colouring with solvent-free acrylic paints; the wood is processed in a way that allows the structure of the wood to remain clearly visible

Dimensions
 (small deviations possible)

Height	1.65 m
Height of head	1.30 m
Length of the element	
Head	1.00 m
Middle part	2.00 m
Tail	1.00 m
Weight	260 kg



5.00015

Play value

To see oneself in a mirror, to discover changes, to experience a mirror world. To exert oneself while turning the rotunda and to be rewarded with the sound of the bell. The Mirror Rotunda represents a concentrated address of the senses and is interesting for grown-ups as well as for children. In pedestrian zones, it is a welcome change to the activities and gives a particular accent to large places or squares, particularly when several rotundas are grouped together. In front of public buildings, especially of modern architecture, it emphasises through play the significance of the location due to its impressive appearance. The Mirror Rotunda is available with or without sound effect.



Mirror Rotunda



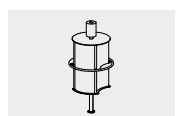
Fundamental characteristics

- Unique and original
- Surprising reflections, address of the senses
- Incentive for playing: reflection, coloured head
- Movement: setting the rotunda in motion, turning oneself

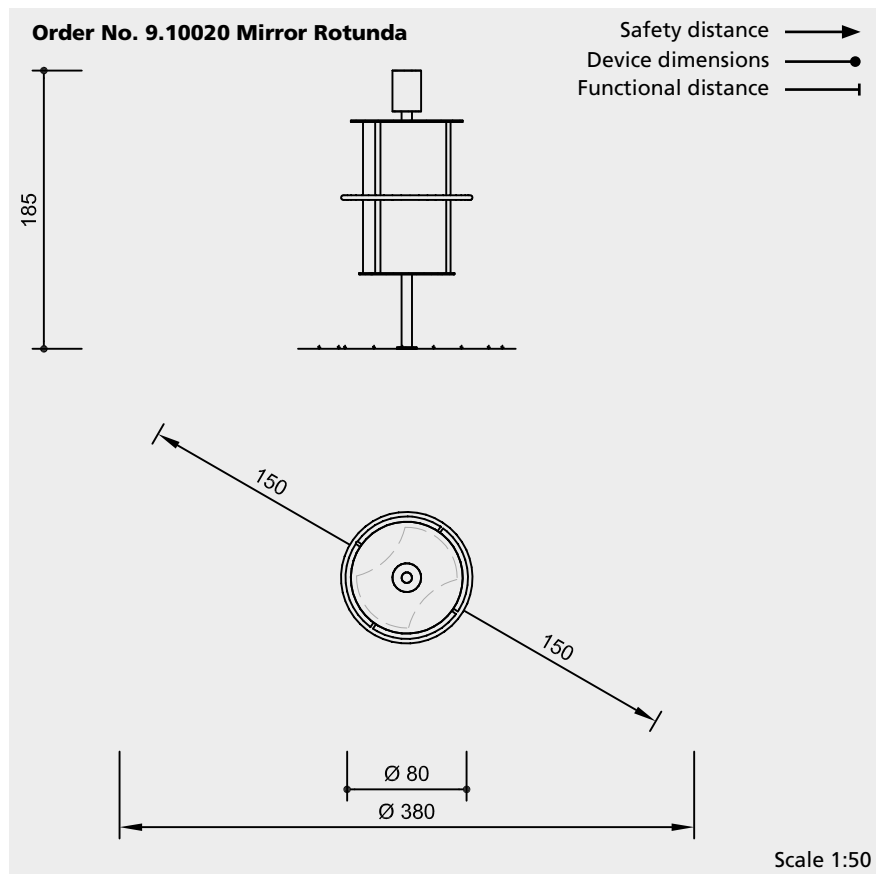
Recommended for

- School children
- Young people
- Adults
- Older people
- Public play areas without supervision, such as playgrounds, parks or similar

Acoustic effect	medium
Vandalism	not vulnerable



9.10020



Safety check according to DIN EN 1176

Components

- 1 Mirror Rotunda for dowelling, with 4 heavy duty anchors

Installation information

Surfacing requirements corresponding to a fall height of ≤ 0.60 m (please refer to price list for more detailed information)

Foundations
 1 item 60 x 60 x 50 cm
 Excavation depth 70 cm

Attention:
Exact measurements may vary;
for all installation dimensions refer to current assembly instructions.
 Technical changes reserved.

Technical information

Equipment made of stainless steel, glass bead blasted, with built-in concave and convex mirrors of stainless metal sheeting

Sintered bush

For all reciprocating movements we use sintered plain bearings which are self-lubricating in use and can easily be exchanged if necessary



Ground anchor

All parts used for anchoring to the ground are made of hot-dip galvanised steel or stainless steel



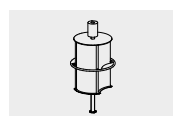
For more detailed explanation of the quality characteristics see price list.

Sound elements of groups are tuned and painted in different colours

Dimensions

(small deviations possible)

Height	1.85 m
Diameter	0.80 m
Weight	200 kg



9.10020

Play value

Stretching, elongating, distorting body contours: The Distorting Mirror allows observers to experience their own body in completely different shapes and figures. Convex, concave or convex at the top and concave at the bottom and vice versa – the Distorting Mirror provides both young and old with a variety of possibilities to explore themselves with an unusual appearance. Sensory perception and fantasy are promoted in an entertaining way and the transformation of your own self and that of other people can be experienced with a sense of enjoyment – laughter included. Whether installed in pedestrian zones, in front of or in public buildings, schools, companies or in leisure areas - a group of Distorting Mirrors always acts as an eye-catcher and magnet that really holds your attention.



Photo © Valentin Luthiger



Order No. 9.10600 Distorting Mirror



Order No. 9.10702 Distorting Mirror



Order No. 9.10600 Distorting Mirror



Order No. 9.10500 Distorting Mirror for wall attachment

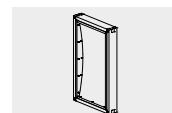
Distorting Mirror

Fundamental characteristics

- Surprising reflections
- Promotion of visual perception
- Stimulus for communication, social experiences

Recommended for

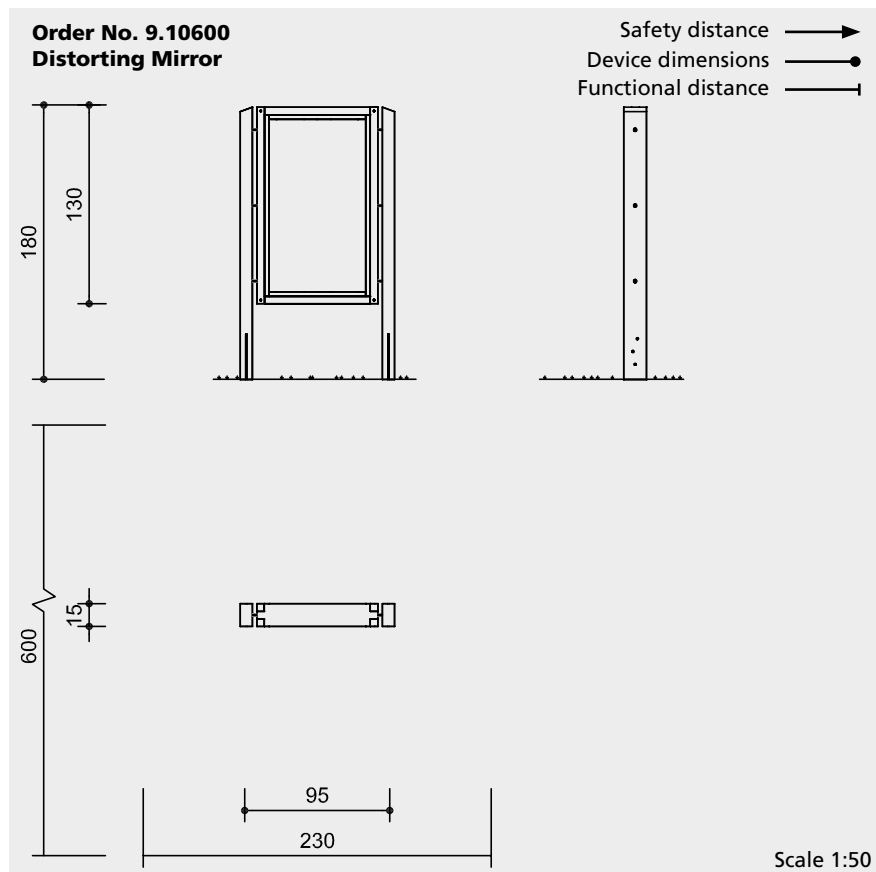
- Kindergarten children
- School children
- Young people
- Adults
- Public play areas without supervision, such as playgrounds, parks or similar



9.10500



9.10600 / 9.10700



Safety check according to DIN EN 1176

Order No. The mirrorformat is possible in: Motiv

9.10500 9.10600 9.10700	Distorting Mirror, convex or concave horizontal Frame made of larch, 1 curvature crosswise Frame and posts made of larch with steel foot, 1 curvature crosswise Frame made of larch with posts made of V2A, 1 curvature crosswise	
9.10501 9.10601 9.10701	Distorting Mirror, convex or concave horizontal Frame made of larch, 1 curvature lengthwise Frame and posts made of larch with steel foot, 1 curvature lengthwise Frame made of larch with posts made of V2A, 1 curvature lengthwise	
9.10502 9.10602 9.10702	Distorting Mirror, combination convex und concave Frame made of larch, 2 curvature crosswise Frame and posts made of larch with steel foot, 2 curvature crosswise Frame made of larch with posts made of V2A, 2 curvature crosswise	

Technical information

Equipment made of
non-impregnated mountain larch

Core-free

Sawn-timbers core-free, thus decreasing
occurrences of cracking and undesired
changes in shape



**For more detailed explanation of the
quality characteristics see price list.**

Mirror made of double-sided, high-gloss
polished stainless steel.

Order No. 9.10500

With Frame for wall attachment

Order No. 9.10600

With stand posts with steel feet

Ground anchor

All parts used for anchoring to the
ground are made of hot-dip galvanised
steel or stainless steel



**For more detailed explanation of the
quality characteristics see price list.**

Order No. 9.10700

Stand posts made of stainless steel

Ground anchor

All parts used for anchoring to the
ground are made of hot-dip galvanised
steel or stainless steel



**For more detailed explanation of the
quality characteristics see price list.**

Dimensions

(small deviations possible)

Height	1.80 m
Height of frame	1.30 m
Length	0.96 m
Width	0.15 m
Mirror surface	1.20 x 0.70 m
Weight	60 kg

Components

1 Distorting mirror

Installation information

Foundations

Order No. 9.10600

2 items 50 x 50 x 50 cm
Excavation depth 70 cm

Order No. 9.10700

2 items 50 x 50 x 40 cm
Excavation depth 60 cm

Attention:

**Exact measurements may vary;
for all installation dimensions refer
to current assembly instructions.**

Technical changes reserved.



9.10500



9.10600 / 9.10700

Play value

This collection of elements encourages a play with light, shadows and colours that is open to change and manipulation. This play will be different depending on the age of the person that interacts with it, his/her abilities and motivations. The results will also change depending on the weather, the hour of the day or the season of the year. The 360° rotating poles offer kids and adults the possibility of overlapping colours and shadows, and creating new stories and situations. „Shadowplay“ promotes a physical interaction, but also the symbolic and the exploratory play that invites us to understand how and why things happen around us.

Fundamental characteristics

- Unique and original
- Attractiv design
- Incentive for playing: Curiosity

Recommended for

- School children
- Young people
- Adults
- Older people
- Public play areas without supervision, such as playgrounds, parks or similar



Shadowplay, round
Shadowplay, square
Shadowplay, amorphous



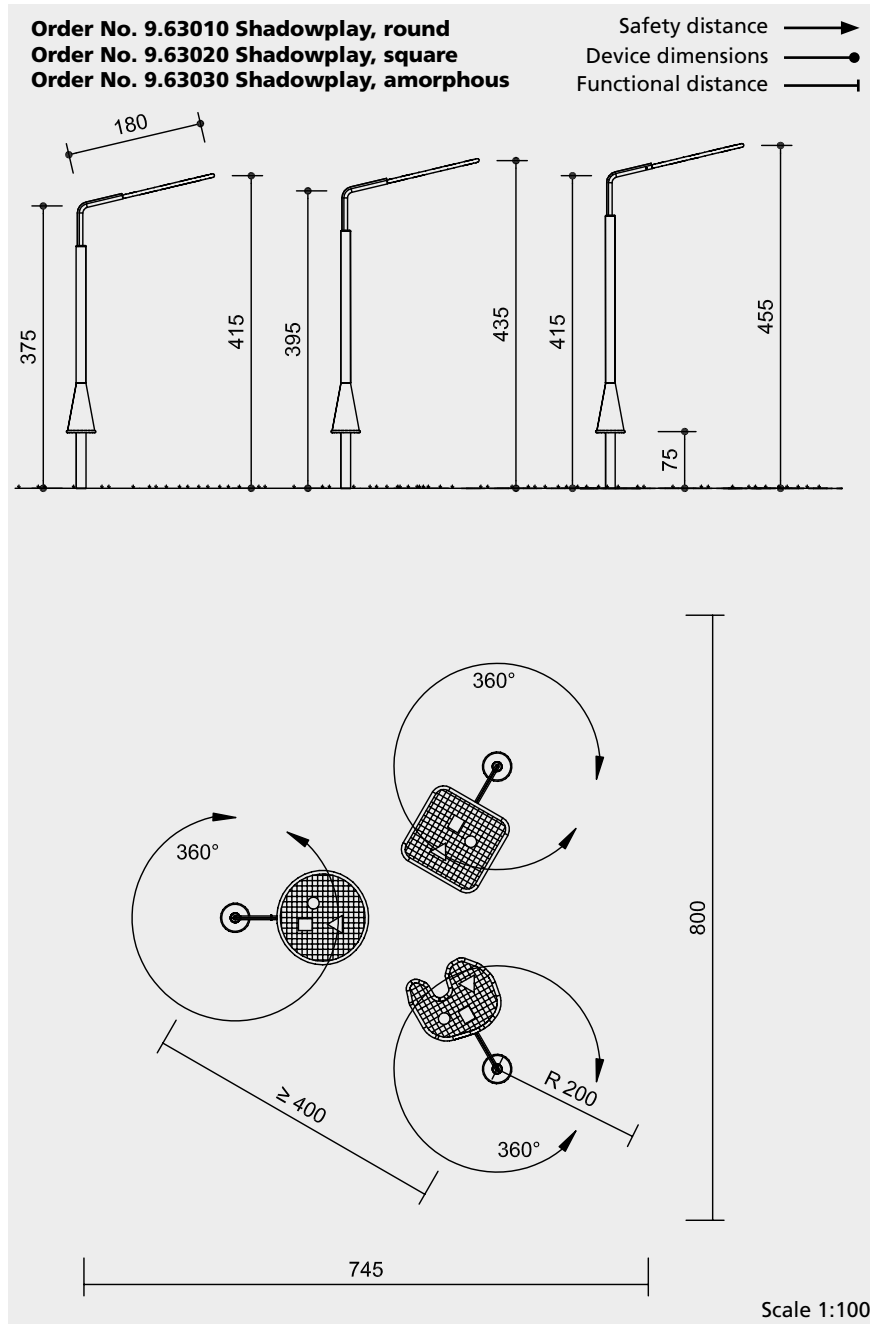
9.63010



9.63020



9.63030



Technical information

Stand posts made of stainless steel

Ground anchor

All parts used for anchoring to the ground are made of hot-dip galvanised steel or stainless steel



For more detailed explanation of the quality characteristics see price list.

Sturdy pivot bearing with lubricating nipple

Grid made of metal with filling of coloured acryl glass, possible motive:



Dimensions

(small deviations possible)

Order No. 9.63010 Shadowplay, round

Total height	4.15 m
Hight of the posts	3.75 m
Grid diameter	1.80 m
Weight	95 kg

Order No. 9.63020 Shadowplay, square

Total height	4.35 m
Hight of the posts	3.95 m
Grid diameter	1.80 m
Weight	95 kg

Order No. 9.63030 Shadowplay, amorphous

Total height	4.55 m
Hight of the posts	4.15 m
Grid diameter	1.80 m
Weight	95 kg

Safety check according to DIN EN 1176

Components

1 Complete equipment

Installation information

Surfacing requirements
no requirements

Foundations
1 item 80 x 80 x 60 cm
Excavation depth 80 cm

Attention:
Exact measurements may vary;
for all installation dimensions refer
to current assembly instructions.
 Technical changes reserved.



9.63010



9.63020



9.63030

Additional Equipment

P. 601 - 618



Special version, Order No. 4.24200 Trunk Seat



Order No. 4.35050 Toddler's Table with 8 Stools, Photo © Daniel Perales

Play value

Children love seats that are intended just for them. They use them either according to their original function, or they attribute a new meaning to them depending on what they are playing. Children like to sit down anywhere they are allowed to; they prefer unusual seating such as the Trunk Seat with face. The Toddler's Table promotes communication and can also serve at the same time as a meeting point for an outside facility.

Fundamental characteristics

- Natural wooden surface that appeals to the senses
- Harmonic design

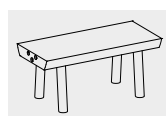
Recommended for

- Children under 3 years
- Kindergarten children
- Public play areas without supervision, such as playgrounds, parks or similar

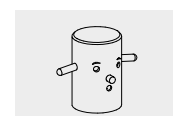


Order No. 4.35050 Toddler's Table with 8 Stools, Table as a special version, Photo © Daniel Perales

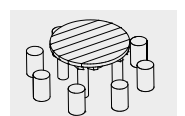
**Play Table
Trunk Seat
Toddler's Table with 8 Stools**



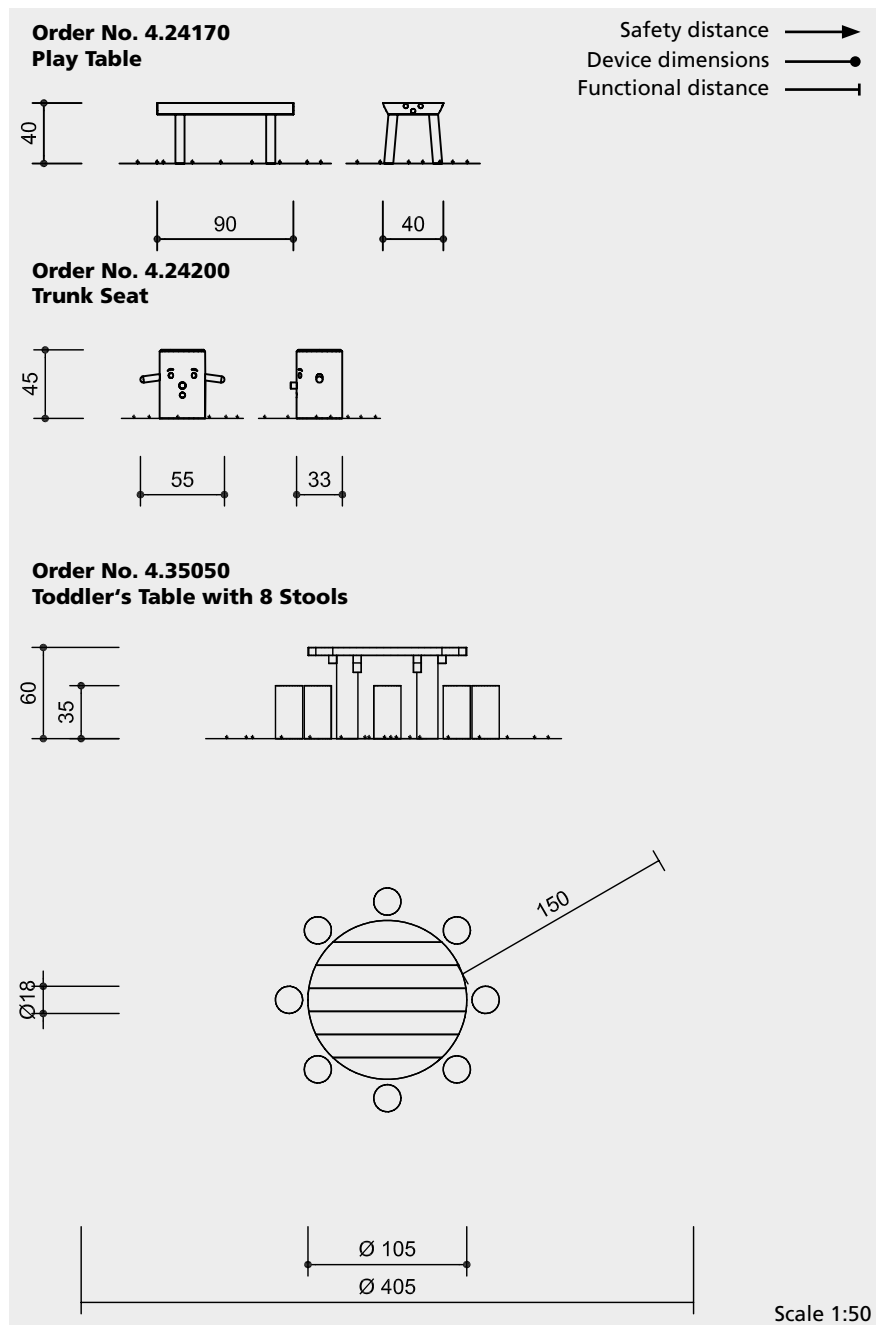
4.24170



4.24200



4.35050



Safety check according to DIN EN 1176

Components

Order No. 4.24170

1 Play table

Order No. 4.24200

1 Trunk seat

Order No. 4.35050

1 Round table with 2 threaded rods
8 Stools with 1 threaded rod

Installation information

Surfacing requirements

no requirements

Foundations

(only necessary in order to immobilise the equipment)

Order No. 4.35050

Table

2 items 20 x 20 x 30 cm
Excavation depth 50 cm

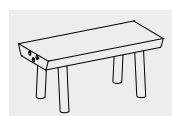
Stool

8 items 20 x 20 x 30 cm
Excavation depth 50 cm

Attention:

Exact measurements may vary; for all installation dimensions refer to current installation instructions.

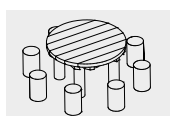
Technical changes reserved.



4.24170



4.24200



4.35050

Technical information

Equipment made of non-impregnated mountain larch

Order No. 4.24170 Play Table

Core-free

Sawn-timbers core-free, thus decreasing occurrences of cracking and undesired changes in shape



Order No. 4.24200 Trunk Seat

Peeled white

Palisades peeled white means that bark, cambium and sapwood are removed, the natural shape of the trunk is preserved and can be experienced



Relief cut

Targeted relief cut as an effective measure against cracks caused by drying. The cut defines the position of the stress equalization in the trunk and minimises natural cracking



Order No. 4.35050 Toddler's Table with 8 Stools

Peeled white

Palisades peeled white means that bark, cambium and sapwood are removed, the natural shape of the trunk is preserved and can be experienced



Core-free

Sawn-timbers core-free, thus decreasing occurrences of cracking and undesired changes in shape



Ground anchor

All parts used for anchoring to the ground are made of hot-dip galvanised steel or stainless steel



Relief cut

Targeted relief cut as an effective measure against cracks caused by drying. The cut defines the position of the stress equalization in the trunk and minimises natural cracking



For more detailed explanation of the quality characteristics see price list.

Dimensions

(small deviations possible)

Order No. 4.24170 Play Table

Length 0.90 m
Height 0.40 m
Weight 35 kg

Order No. 4.24200 Trunk Seat

Diameter 0.33 m
With grips 0.55 m
Weight 0.45 m
Height 25 kg

Order No. 4.35050

Toddler's Table with 8 Stools

Total weight 132 kg

Table

Height 0.60 m
Diameter 1.05 m
Weight 60 kg

Stool

Height 0.35 m
Diameter 0.20 m
Weight 9 kg



Play value

Children's need to scribble and draw on various surfaces can be perfectly guided by installing a drawing board. Kindergarten children in particular feel themselves attracted to the "blackboard" and they use it as an incentive for role-playing games.

Fundamental characteristics

- Child proportions according to ergonomic requirements
- Natural wooden surface that appeals to the senses
- Minimalistic style
- With chalk tray

Recommended for

- Children under 3 years
- Kindergarten children
- Supervised play areas, such as kindergartens, schools, after-school programmes or similar

Barrier-free

- Independent play

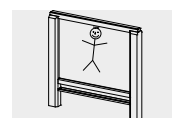


Order No. 4.24455 Drawing Board low version for toddlers (special version without chalk tray)

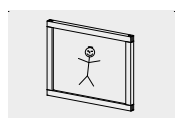


Order No. 4.24450 Drawing Board

Drawing Board
Drawing Board low version
Drawing Board for wall attachment



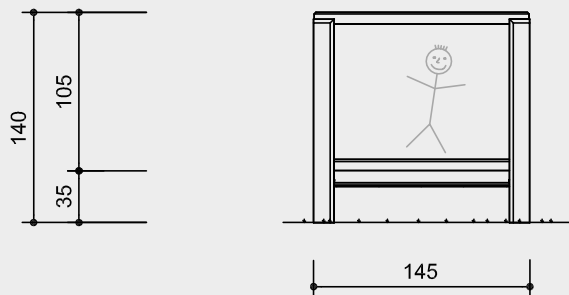
4.24450 / 4.24455



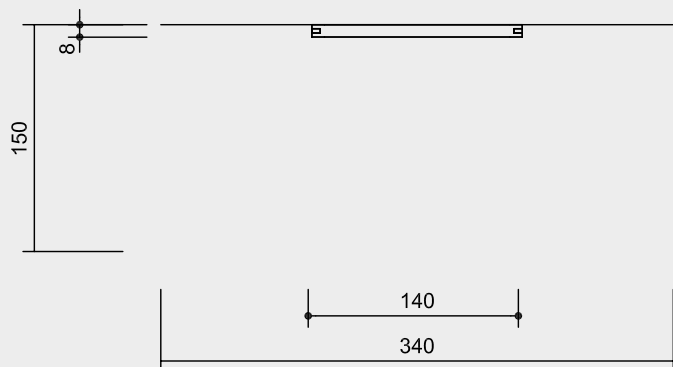
4.24460

**Order No. 4.24450
Drawing Board**

Safety distance 
 Device dimensions 
 Functional distance 



**Order No. 4.24460
Drawing Board for wall attachment**



Scale 1:50

Safety check according to DIN EN 1176

Components

Order No. 4.24450 / 4.24455

- 1 Drawing board with chalk tray
- 1 Package of liquid chalk pens (6 pieces)

Order No. 4.24460

- 1 Drawing board
- 1 Package of liquid chalk pens (6 pieces)

Installation information

Surfacing requirements
no requirements

Foundations

Order No. 4.24450 / 4.24455

- 2 items 60 x 60 x 60 cm
- Excavation depth 80 cm

Attention:

Exact measurements may vary; for all installation dimensions refer to current assembly instructions.

Technical changes reserved.

Technical information

Equipment made of non-impregnated mountain larch

**Order No. 4.24450
Drawing Board
Order No. 4.24455
Drawing Board low version**

Core-free

Sawn-timbers core-free, thus decreasing occurrences of cracking and undesired changes in shape



Ground anchor

All parts used for anchoring to the ground are made of hot-dip galvanised steel or stainless steel



For more detailed explanation of the quality characteristics see price list.

Drawing board of HPL high-pressure laminated wood, thickness 10 mm, usable on both sides

Matt surface;
Colour gentian blue

Chalk tray made of stainless steel

**Order No. 4.24460
Drawing Board for wall attachment**

Core-free

Sawn-timbers core-free, thus decreasing occurrences of cracking and undesired changes in shape



For more detailed explanation of the quality characteristics see price list.

Drawing board of HPL high-pressure laminated wood, thickness 10 mm, usable on both sides

Matt surface;
Colour gentian blue

Dimensions

(Small deviations possible)

**Order No. 4.24450
Drawing Board**

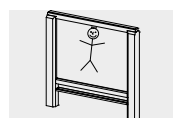
Height	1.40 m
Length	1.45 m
Width	0.15 m
Drawing surface	1.16 x 0.92 m
Weight	100 kg

**Order No. 4.24455
Drawing Board low version**

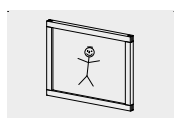
Height	1.30 m
Length	1.45 m
Width	0.15 m
Drawing surface	1.16 x 0.92 m
Weight	95 kg

**Order No. 4.24460
Drawing Board for wall attachment**

Height	1.10 m
Length	1.40 m
Width	0.08 m
Drawing surface	1.16 x 0.92 m
Weight	80 kg



4.24450 / 4.24455



4.24460



Photo © Daniel Perales

Play value

Children love furniture which is provided especially for them. They prefer unusual seating which they can also use for play activities. The Round Table with 8 Benches encourages communication, and, at the same time, it can be the focal point of an outdoor area. A round table, even a small one, encourages common activities. It allows people to look at each other, thus making it easier to develop a community spirit.

Fundamental characteristics

- Wooden surface which appeals to the senses
- Agreeable design



Order No. 4.35000 Round Table with 8 Benches, Photo © Daniel Perales

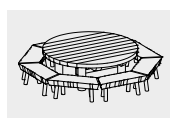


Order No. 4.40051 Stool without Back, Photo © Daniel Perales

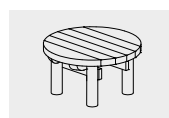
**Round Table with 8 Benches
Round Table
Stool with Back
Stool without Back**

Recommended for

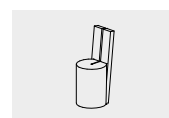
- Kindergarten children
- Public play areas without supervision, such as playgrounds, parks or similar
- Swimming pools without supervision, such as outdoor pools, adventure pools or similar



4.35000



4.40000

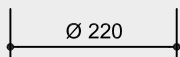
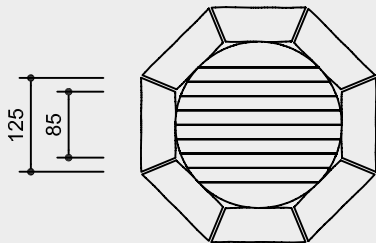


4.40050



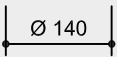
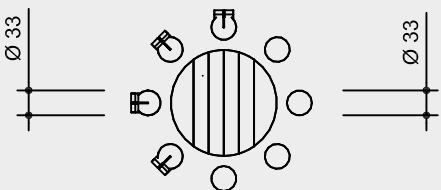
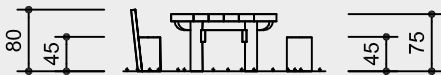
4.40051

Order No. 4.35000
Round Table with 8 Benches



Safety distance →
 Device dimensions —●—
 Functional distance —|—

Order No. 4.40000 Round Table
Order No. 4.40050 Stool with Back
Order No. 4.40051 Stool without Back
 Example with 8 Stools



Safety check according to DIN EN 1176

Components

- Order No. 4.35000**
 1 Round table top
 1 Frame
 8 Benches

- Order No. 4.40000**
 1 Round table top
 1 Frame

- Order No. 4.40050**
 1 Stool with Back
 2 Foundation irons, attached

- Order No. 4.40051**
 1 Stool without Back
 2 Foundation irons, attached

Installation information

Surfacing requirements
 no requirements

Foundations
 only necessary to immobilise the equipment
 per foundation iron 20 x 20 x 30 cm
 Excavation depth 50 cm

Attention:
Exact measurements may vary;
for all installation dimensions refer
to current assembly instructions.
 Technical changes reserved.

Technical information

Equipment made of non-impregnated mountain larch

Peeled white

Palisades peeled white means that bark, cambium and sapwood are removed, the natural shape of the trunk is preserved and can be experienced



Core-free

Sawn-timbers core-free, thus decreasing occurrences of cracking and undesired changes in shape



Ground anchor

All parts used for anchoring to the ground are made of hot-dip galvanised steel or stainless steel



For more detailed explanation of the quality characteristics see price list.

Table tops of 10 cm thick boards, connected by additional hardwood tongue boards

Order No. 4.40050 Stool with Back
Order No. 4.40051 Stool without Back
 As above, but in addition with

Relief cut

Targeted relief cut as an effective measure against cracks caused by drying. The cut defines the position of the stress equalization in the trunk and minimises natural cracking



For more detailed explanation of the quality characteristics see price list.

Dimensions

(small deviations possible)

Order No. 4.35000
Round Table with 8 Benches

Table	
Diameter	2.20 m
Height	0.75 m
Weight	330 kg
Bench	
Length	1.25 m
Seat height	0.45 m
Weight	each 40 kg

Order No. 4.40000
Round Table

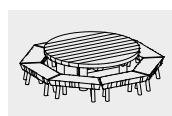
Diameter	1.40 m
Height	0.75 m
Weight	175 kg

Order No. 4.40050
Stool with Back

Diameter	0.33 m
Seat height	0.45 m
Weight	30 kg

Order No. 4.40051
Stool without Back

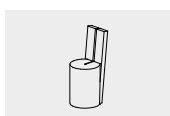
Diameter	0.33 m
Seat height	0.45 m
Weight	20 kg



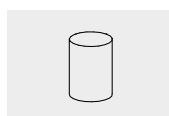
4.35000



4.40000



4.40050



4.40051

Play value

Our playscapes have been designed especially for day-care centres. They consist of individual modules which can be freely varied and combined to suit individual needs. We create exciting and diverse playscapes from platforms and different wooden boxes that can be filled with water, plants, play sand or balls. The system is complemented by awnings which can be mounted in a number of ways.



© Richter Spielgeräte GmbH 06/22



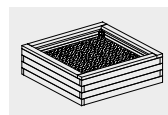
Fundamental characteristics

- Friendly appearance
- Child-oriented dimensions according to ergonomic knowledge
- The space-defining design appeals to the senses
- Numerous play offers
- Sunshade

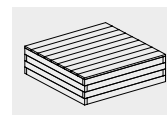
Recommended for

- Children under 3 years
- Kindergarten children
- Supervised play areas, such as kindergartens, schools, after-school programmes or similar

**Sand Box
Chill-Out Box
Awning for Playscapes**



5.54030




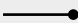
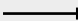
5.54050

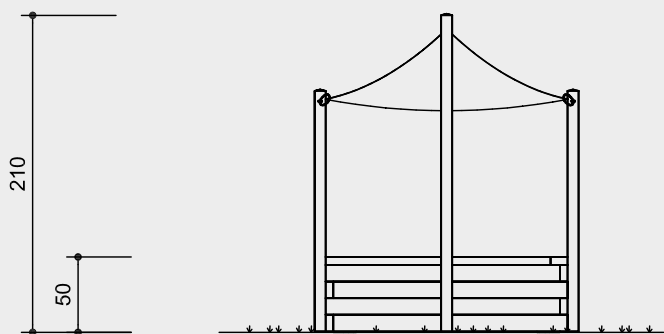


5.54060

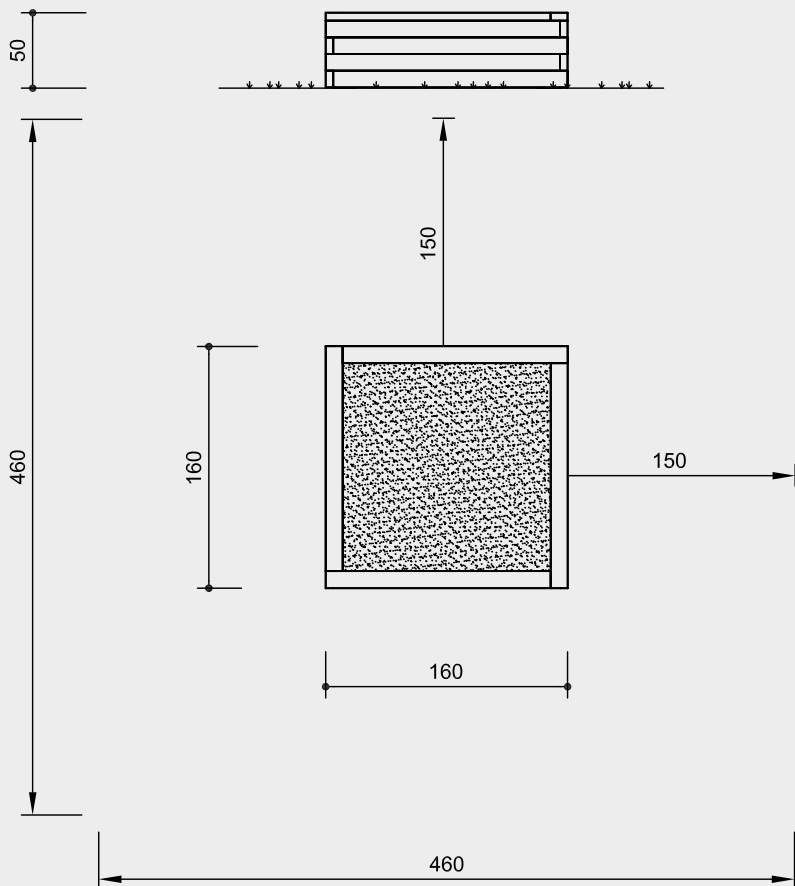
Design F. Dorband / K. H. Thiele

Order No. 5.54060
Awning for Playscapes
Order No. 5.54030
Sand Box

Safety distance 
 Device dimensions 
 Functional distance 



Order No. 5.54050
Chill-Out Box



Scale 1:50

Safety check according to DIN EN 1176

Technical information

Equipment made of non-impregnated mountain larch

Core-free

Sawn-timbers core-free, thus decreasing occurrences of cracking and undesired changes in shape



For more detailed explanation of the quality characteristics see price list.

Awning made of 100 % acrylic, Fluorocarbon finishing with Teflon, lower side PU-coated

Dimensions

(small deviations possible)

Height	0.50 m
With awning	2.10 m
Length	1.60 m
Width	1.60 m
Weight	
Order No. 5.54030	110 kg
Order No. 5.54050	135 kg

Components

1 Play box each

Awning not included in delivery refer to **Order No. 5.54060**

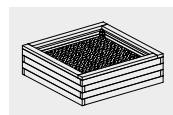
Installation information

Surfacing requirements corresponding to a fall height of ≤ 0.60 m (please refer to price list for more detailed information)

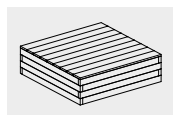
Foundations
 no foundations required

The surfacing should be level and firm.

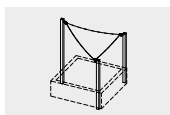
Attention:
Exact measurements may vary;
for all installation dimensions refer to current assembly instructions.
 Technical changes reserved.



5.54030



5.54050



5.54060

Play value

Our Throne Ring provides a very special seating experience. With an almost medieval appearance, this circle of chairs with arms is excellent for promoting communication due to the way the seats are positioned facing and next to one another. The cool, raw feel of the surface of the concrete differs from normal seating, and its generous size makes the Throne Ring a very special attraction that can be seen from afar. The concrete chairs are not only ideal for resting and chatting, they can also be incorporated into a whole range of exciting role-playing games.



Photo © Daniel Perales



Order No. 7.80100 Multi-Step



Order No. 7.80000 Throne Ring



Fundamental characteristics

- Unique and original
- High-quality design
- Incentive for playing: seating, round shape, role-playing games
- Movement: sitting, resting

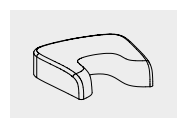
Recommended for

- School children
- Young people
- Public play areas without supervision, such as playgrounds, parks or similar

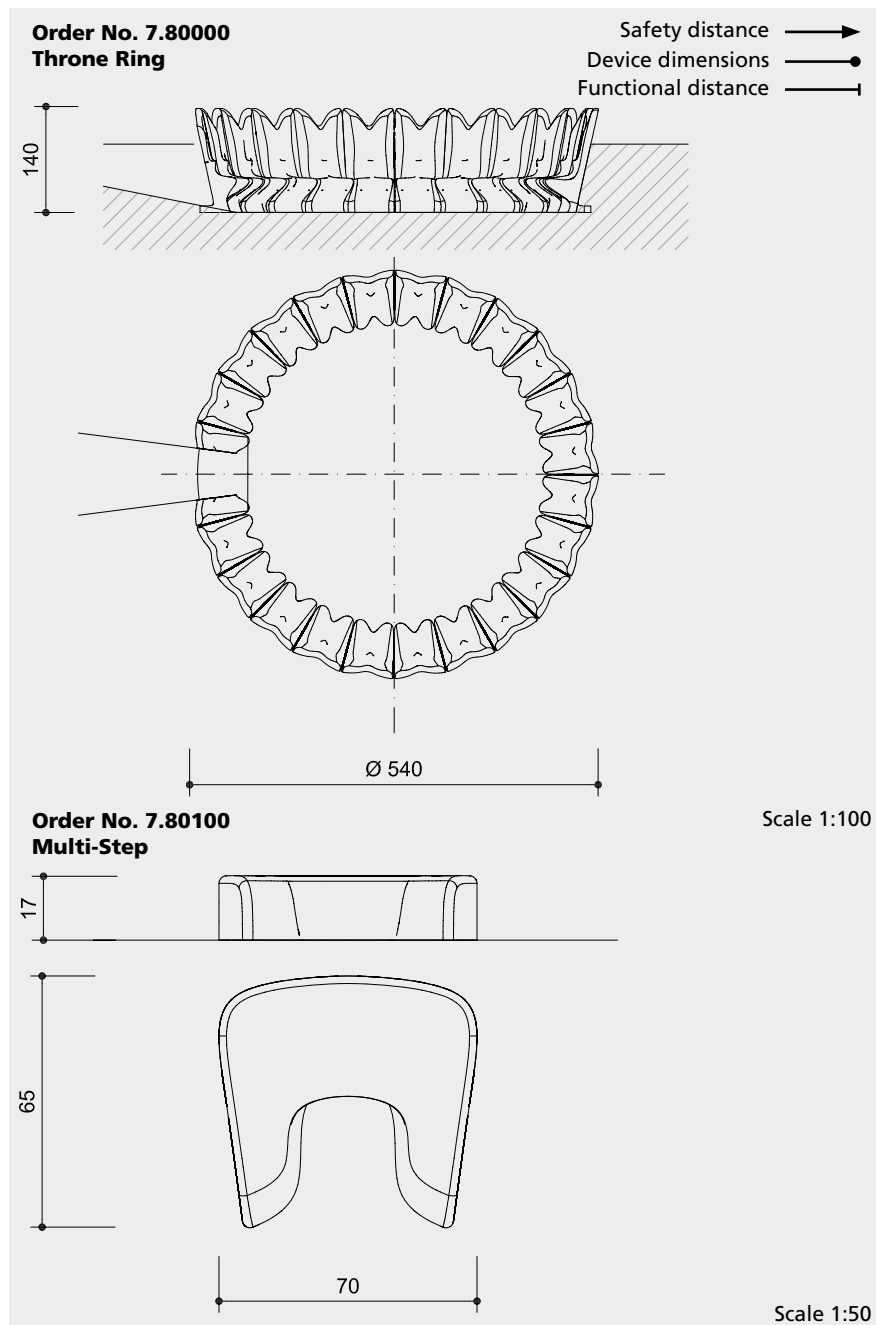
Throne Ring Multi-Step



7.80000



7.80100



Technical information

Quality of concrete SCC C 40/50

Reinforcement

1 layer Q 196 galvanised
Connection pieces made of stainless steel

Blasted surface
Machined edges

Dimensions

(small deviations possible)

**Order No. 7.80000
Throne Ring**

Height	1.40 m
Length	5.40 m
Width	5.40 m
Weight of chair	approx. 250 kg
Total weight	approx. 6200 kg

**Order No. 7.80100
Multi-Step**

Height	0.17 m
Length	0.70 m
Width	0.65 m
Weight	100 kg

Safety check according to DIN EN 1176

Components

Order No. 7.80000

- 1 Throne ring incl. 22 chairs with support on the back
- 1 Half chair on the right
- 1 Half chair on the left
- Connection pieces

Order No. 7.80100

- 1 Multi-Step

Installation information

Foundations
No foundations required.

Required space

Order No. 7.80000

Throne Ring

Approx. Ø 5.40

Order No. 7.80100

Multi-Step

Approx. 0.70 m x 0.65 m for each step

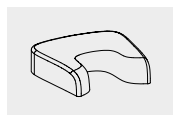
Attention:

Exact measurements may vary; for all installation dimensions refer to current assembly instructions.

Technical changes reserved.



7.80000



7.80100



Play value

For children, playing does not always mean doing something active. Playing might just as well mean being there. For these play phases it is necessary to provide seats or places, especially raised seating. Our Sitting Fence allows „hanging about“ casually, provides a good view and one can talk with the others feeling very „cool“: The fence seat is developed in such a way that it fits well when installed in groups, so that the planner can individually design the intended location.

Fundamental characteristics

- Natural wooden surface with big diameters provides comfortable seating
- Appealing design
- Movement: sitting, balancing

Recommended for

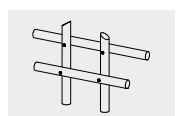
- Kindergarten children
- School children
- Supervised play areas, such as kindergartens, schools, after-school programmes or similar
- Public play areas without supervision, such as playgrounds, parks or similar



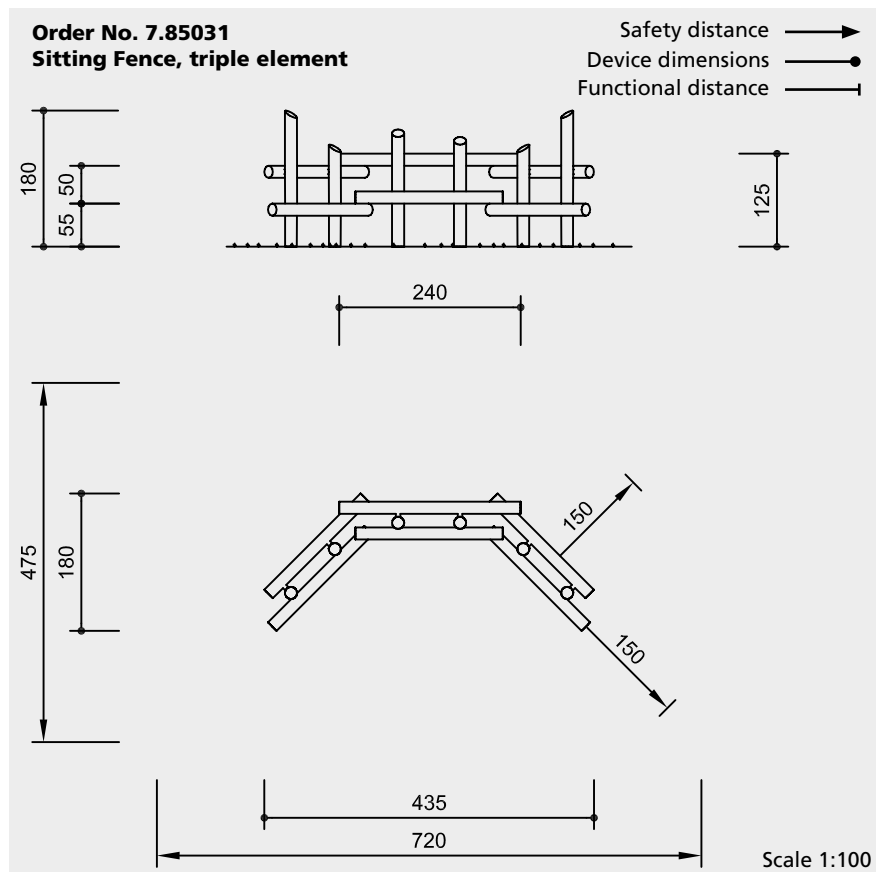
Sitting Fence



© Richter Spielgeräte GmbH 06/22



7.85001 - 7.85031



Safety check according to DIN EN 1176

Components

**Order No. 7.85001
Sitting Fence, single element**

- 2 Posts with 2 steel feet
- 2 Cross beams

**Order No. 7.85021
Sitting Fence, double element**

- 4 Posts with 4 steel feet
- 4 Cross beams

**Order No. 7.85031
Sitting Fence, triple element**

- 6 Posts with 6 steel feet
- 6 Cross beams

Installation information

Surfacing requirements corresponding to a fall height of ≤ 1.50 m (please refer to price list for more detailed information)

Foundations
Per post 1 item 60 x 60 x 50 cm
Excavation depth 70 cm

Attention:
Exact measurements may vary, for all installation dimensions refer to current installation instructions.
Technical changes reserved.

Technical information

Equipment made of non-impregnated mountain larch

Peeled white

Palisades peeled white means that bark, cambium and sapwood are removed, the natural shape of the trunk is preserved and can be experienced



Bevel cut

Vertical stand posts with bevelled end grain section as constructive wood preservation measure



Profiled washer

Profiled washer for covering protruding screw heads according to standard, improved pressure distribution and protection against water. Impedes loosening the bolt



Adjustable

Adjustable two-piece bolt connection, easy to maintain, no projecting threads



Ground anchor

All parts used for anchoring to the ground are made of hot-dip galvanised steel or stainless steel



Distance fitting

Screw connection with distance fitting to avoid entrapment areas



Relief cut

Targeted relief cut as an effective measure against cracks caused by drying. The cut defines the position of the stress equalization in the trunk and minimises natural cracking



For more detailed explanation of the quality characteristics see price list.

Dimensions

(small deviations possible)

**Order No. 7.85001
Sitting Fence, single element**

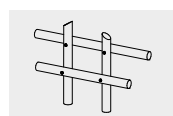
Height	1.50 m
Width	2.40 m
Weight per element	130 kg

**Order No. 7.85021
Sitting Fence, double element**

Height	1.80 m
Width	3.50 m
Weight	260 kg

**Order No. 7.85031
Sitting Fence, triple element**

Height	1.80 m
Width	4.35 m
Weight	390 kg



7.85001 - 7.85031

Play value

This half-shell is a very special piece of playground equipment and design element at the same time. Two or more of them can be arranged to create a line, corner or any other form – creativity is the only limit. You also have the choice between various pieces of supplementary equipment, such as a rotating disc, bench or other modules as shown in the pictures. The cosiness of the niches provides the children with enough space for role-playing games.



Benches are not included in Components.

Curve

In addition to providing play offers, the half-shell can serve as an attractive space divider which may be used to define different play areas or as a visual and noise barrier for playgrounds located on roads.

Fundamental characteristics

- The space-defining design appeals to the senses
- Functional design
- Different play offers
- Individual elements can be freely combined


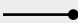

Recommended for

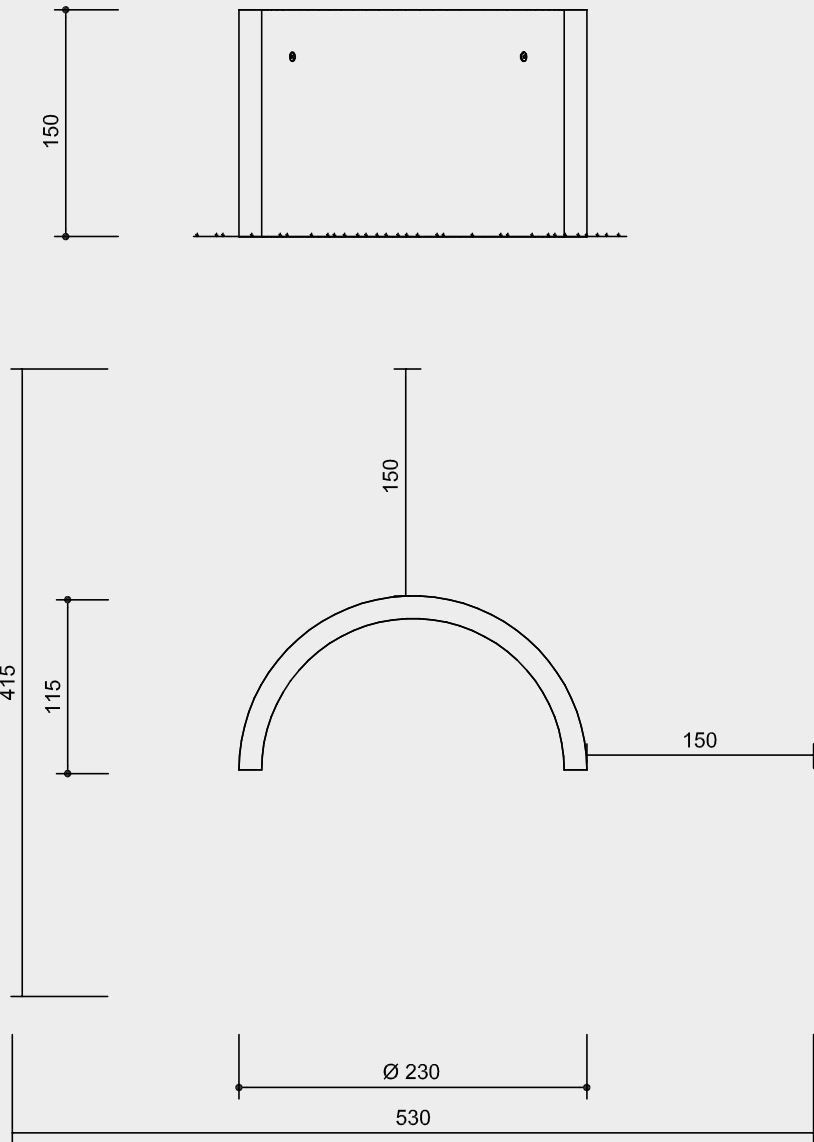
- Kindergarten children
- School children
- Supervised play areas, such as kindergartens, schools, after-school programmes or similar
- Public play areas without supervision, such as playgrounds, parks or similar
- Leisure parks



7.89500

Order No. 7.89500
Curve

Safety distance 
Device dimensions 
Functional distance 



Scale 1:100

Safety check according to DIN EN 1176

Components

- 1 Element
- 2 Sling bends
- 2 Concealed heads

Optional elements

- Bench, **Order No. 7.89550**
- Sound wall, **Order No. 7.89551**
- Rotating discs, **Order No. 7.89552**
(different patterns)

Other optional elements on request

Installation information

Surfacing requirements
must be able to take the load

Foundations
none

Attention:
Exact measurements may vary; for all installation dimensions refer to current assembly instructions.
Technical changes reserved.

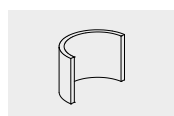
Technical information

Curved wall made of self-compacting concrete C 40/50, grain size 0 to 16 mm, sand-blasted surface

Dimensions

(small deviations possible)

Height	1.50 m
Length	2.30 m
Width	1.15 m
Wall thickness	0.15 m
Weight	2000 kg



7.89500

Play value

Changes between phases of activity and rest are necessary for balanced recreation. This means equipment of both areas and also careful consideration about how rest areas should be designed. Benches and tables can lend an extra ambience to the play area and act as a complementary meeting point.



Order No. 9.70000 Waste Bin



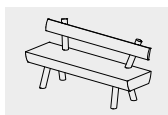
Fundamental characteristics

- Natural wooden surface for pleasant seating

Recommended for

- Kindergarten children
- School children
- Young people
- Adults
- Older people
- Public play areas without supervision, such as playgrounds, parks or similar

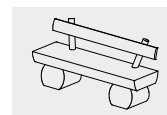
**Benches
Table
Waste Bin**



L9.20000 / L9.22000



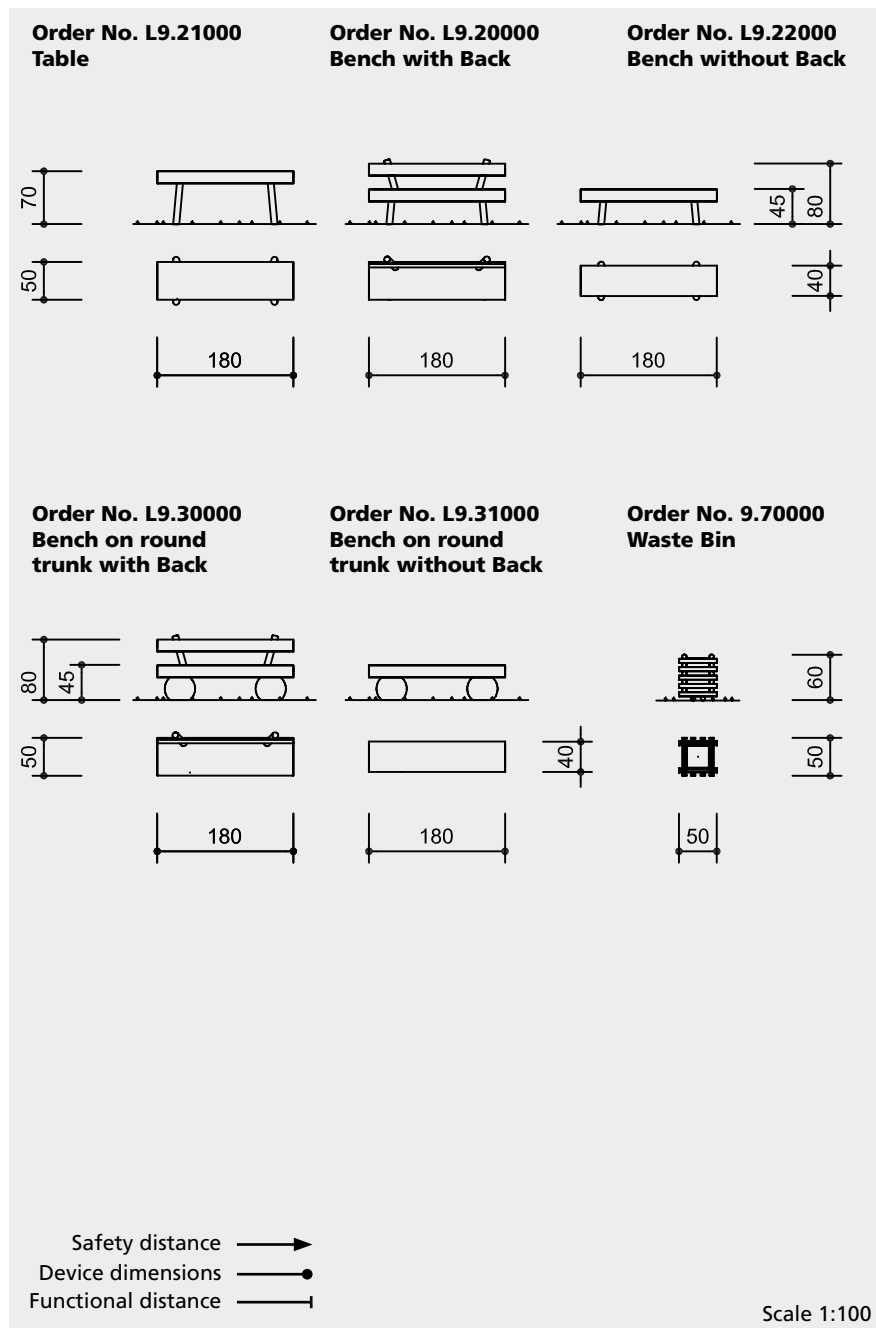
L9.21000



L9.30000 / L9.31000



9.70000



Safety check according to DIN EN 1176

Components

1 Part each

Installation information

Surfacing requirements
 No requirements

Foundations
 Only necessary as anchorage

Attention:
Exact measurements may vary;
for all installation dimensions refer
to current assembly instructions.
 Technical changes reserved.

Technical information

Equipment made of non-impregnated mountain larch

Order No. L9.20000 - L9.31000 Benches and Table

Core-free
 Sawn-timbers core-free, thus decreasing occurrences of cracking and undesired changes in shape



For more detailed explanation of the quality characteristics see price list.

Feet Ø 75 mm

Table tops and seat surfaces made of boards, 14 cm thick

Order No. 9.70000 Waste Bin

Core-free
 Sawn-timbers core-free, thus decreasing occurrences of cracking and undesired changes in shape



Ground anchor
 All parts used for anchoring to the ground are made of hot-dip galvanised steel or stainless steel



For more detailed explanation of the quality characteristics see price list.

Insert made of stainless steel, glass bead blasted

Dimensions

(small deviations possible)

Order No. L9.21000 Table

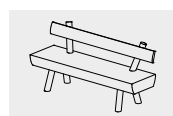
Height	0.70 m
Length	1.80 m
Width	0.50 m
Weight	80 kg

Benches

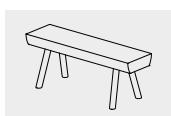
Seat height	0.45 m
Length	1.80 m
Seat surface	0.35 - 0.45 m
Weight	60 - 100 kg

Order No. 9.70000 Waste Bin

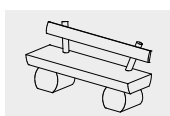
Height	0.60 m
Length	0.50 m
Width	0.50 m
Weight	25 kg



L9.20000 / L9.22000



L9.21000



L9.30000 / L9.31000



9.70000



Order No. 3.42050 Wind Cone on Pyramid Tower

Play value

Windmills, placed on top of our Pyramid Towers or on a post, are suited as a playground marker. They signal that here is something going on. Windmills contribute to the experience of the element air and make the power of wind visible. Installed in groups, currents of air can be observed.

Fundamental characteristics

- High-quality design
- Attractive marking of a playground coloured design on request

Recommended for

- Supervised play areas, such as kindergartens, schools, after-school programmes or similar
- Public play areas without supervision, such as playgrounds, parks or similar

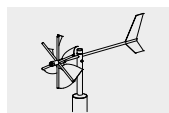


Order No. 9.65045 Six-fan Windmill on galvanized post

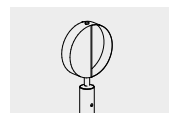


Order No. 9.65062 Wind Disc for attachment

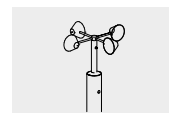
Windmills



9.65040 ff.



9.65060 ff.

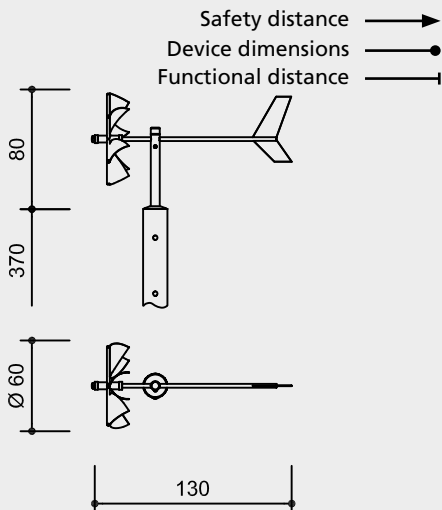
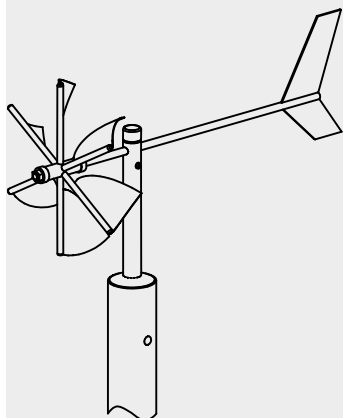


9.65070 ff.

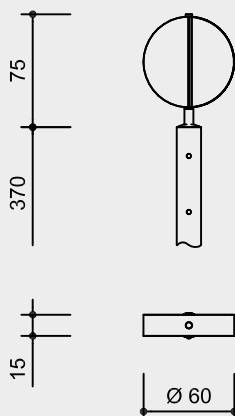
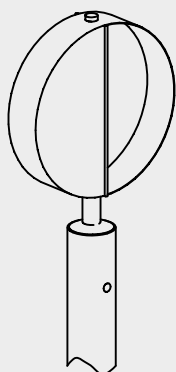


9.65080 ff.

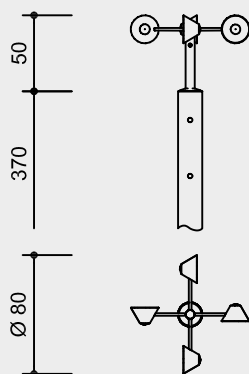
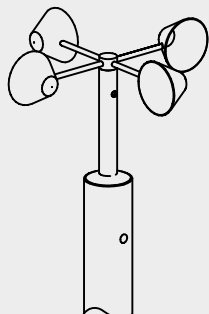
**Order No. 9.65040 ff.
Six-fan Windmill**



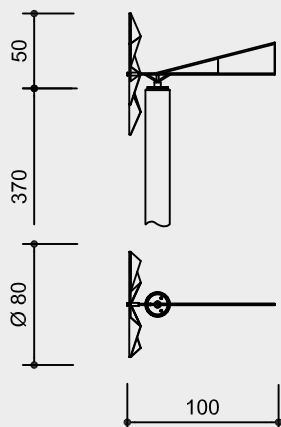
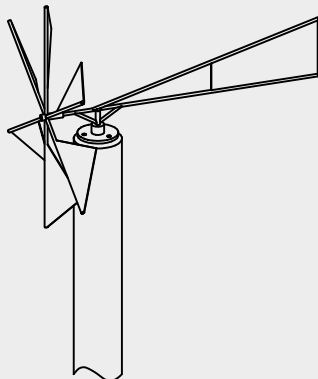
**Order No. 9.65060 ff.
Wind Disc**



**Order No. 9.65070 ff.
Wind Cone**



**Order No. 9.65080 ff.
Light Windmill**



Scale 1:50

Safety check according to DIN EN 1176

Technical information

Windmills made of stainless steel, glass bead blasted

Support posts made of spruce / fire

Peeled white

Palisades peeled white means that bark, cambium and sapwood are removed, the natural shape of the trunk is preserved and can be experienced



Perforated

The earth / air zone of the wood is perforated by numerous small bore holes to ensure that the impregnating agent penetrates this particularly endangered zone



Roller bearings

Roller bearings made of stainless steel for rotating elements, easy to maintain and exchange, sealed



For more detailed explanation of the quality characteristics see price list.

Coloured design with acrylic paint used for cars on request

Dimensions

(small deviations possible)

Height of posts 3.70 m

Order No. 9.65040 Six-fan Windmill
Height 0.80 m
Diameter 0.60 m
Length 1.30 m
Weight with post 85 kg

Order No. 9.65060 Wind Disc
Height 0.75 m
Diameter 0.60 m
Weight with post 85 kg

Order No. 9.65070 Wind Cone
Height 0.50 m
Diameter 0.80 m
Weight with post 75 kg

Order No. 9.65080 Light Windmill
Height 0.50 m
Diameter 0.80 m
Length 1.00 m
Weight with post 70 kg

Components

1 Part each

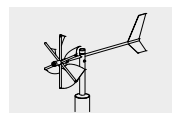
Installation information

Surfacing requirements
no requirements

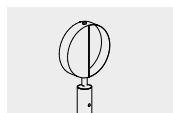
Foundations
1 item 80 x 80 x 60 cm
Excavation depth 80 cm

Attention:

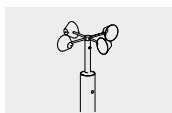
Exact measurements may vary; for all installation dimensions refer to current assembly instructions.
Technical changes reserved.
Equipment also available with steel feet or hot-dip galvanised steel posts or for attachment (see price list).



9.65040 ff.



9.65060 ff.



9.65070 ff.



9.65080 ff.

