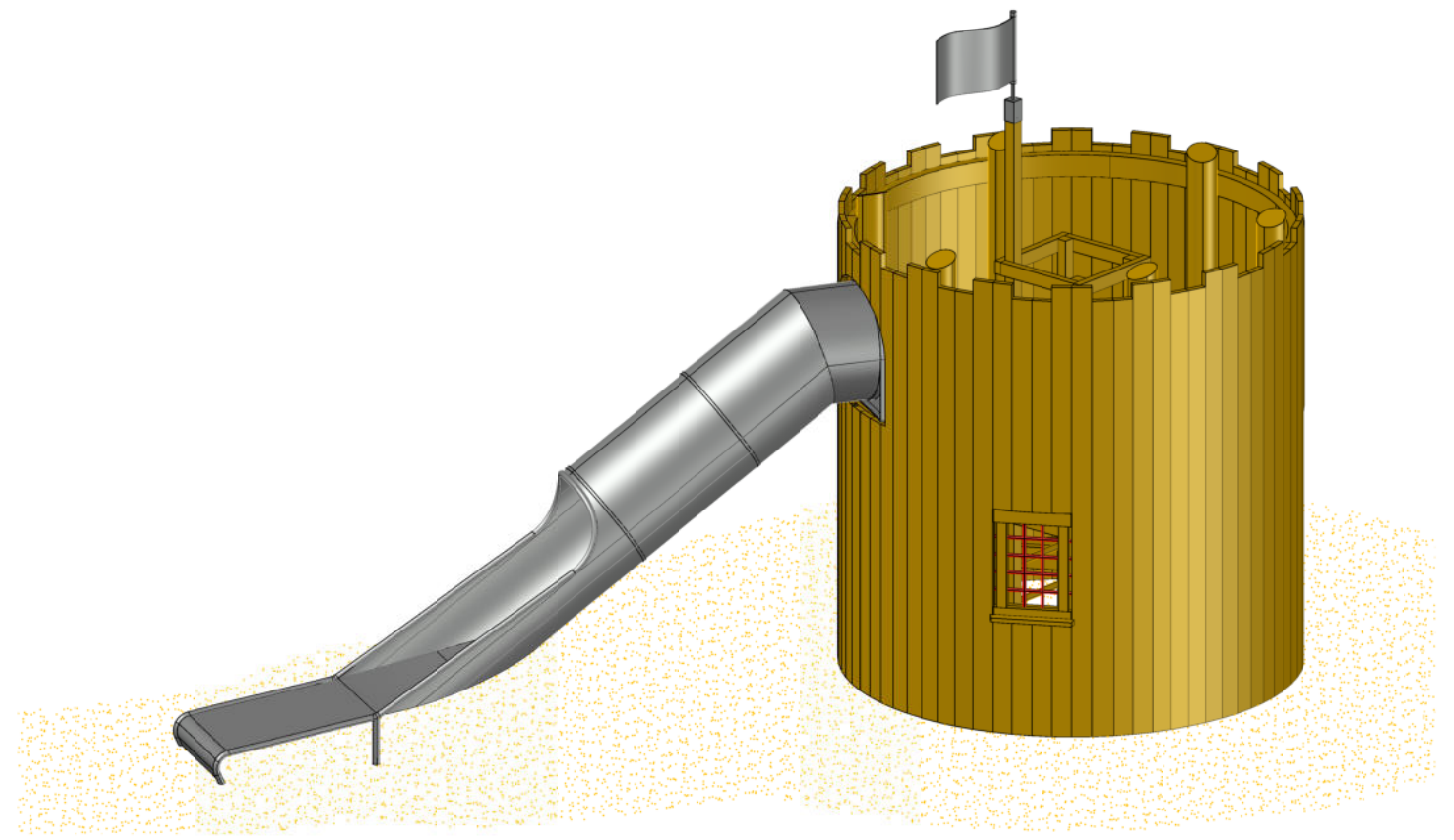


Legend

- ① S 3.22000 Castle Tower, height 2.00m, with ladder inside and rotatable stainless steel flag, larch with steel feet, **prepared for the addition of a tunnel slide**
- ② 3.68000 Tunnel Slide, made of stainless steel, height 2.00m, see detail



Information on installation of slides
 On the northern hemisphere care should be taken that slides are not oriented to a southeast and southwest direction or between these points (heating up of material - respectively no northeast and northwest orientation for the southern hemisphere). If this is not possible, appropriate measures must be taken to ensure the provision of shade. In the case of tunnel slides, this is only necessary for the open run-out area.

General information for customers
 The customer is responsible for checking that all conditions necessary for configuration of the children's playground equipment are met (space requirements, available space, required ground elevation, existing ground elevation, etc.). This also includes supply lines (under and aboveground) and consideration of any other possible constraints of the location. The customer is to ensure on site that the surfacing is constructed according to the fall heights, in compliance with DIN EN 1176 and DIN EN 1177.

Building projekt	Racibórz		
Equipment	Castle Tower + Tunnel Slide	Quotation/Order-No	AN284219
Customer	Mariusz Puczynski mala architektura		
	Robotnicza 31 PL - 05-800 Pruszków		
Equipment proposal	Richter Spielgeräte GmbH Simssestraße 29 D-83112 Frasdorf +49 8052-17980	Scale	1:75 / not to scale
		Title	ground+side views/perspective
		Date	26.06.2024
		Name	F. Tiedje
		Size	A3
		Page	1-1